

SERVICE PARTS LIST FOR MITSUBISHI ELECTRIC REFRIGERATION SYSTEMS:HOT WATER HEAT PUMP UNIT

Series : QAHV-N·YAU-HPB(-BS)

REVISED

June 2026

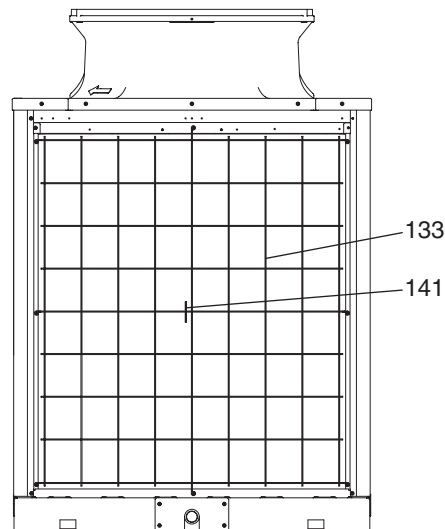
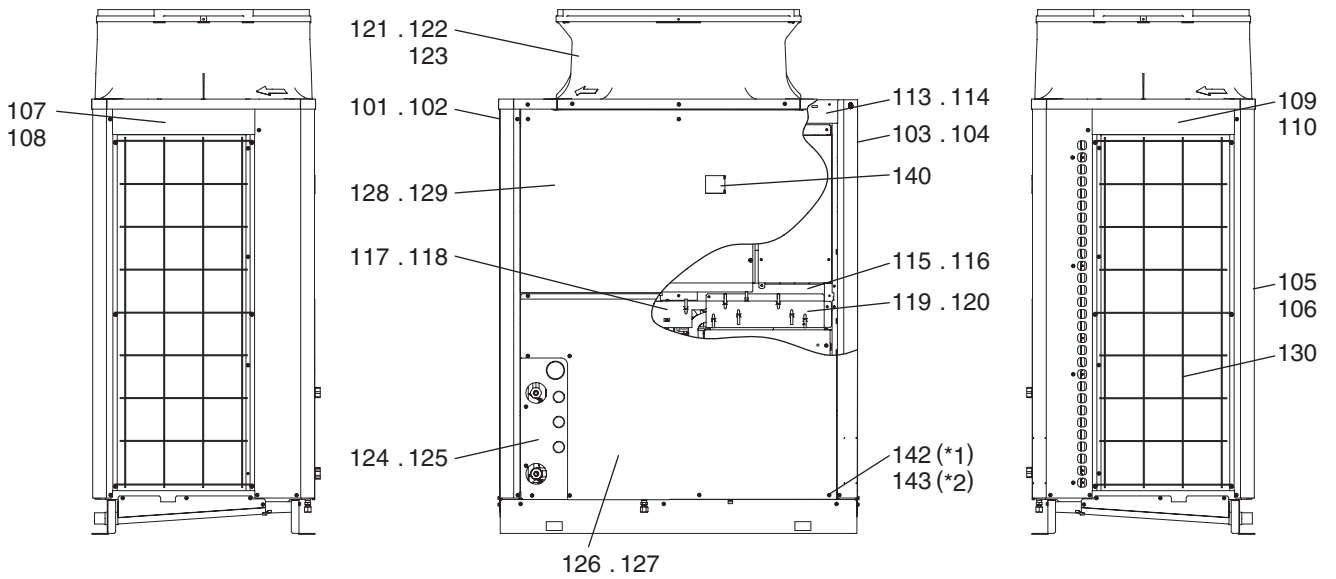
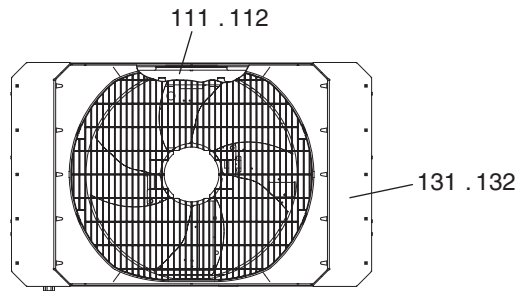
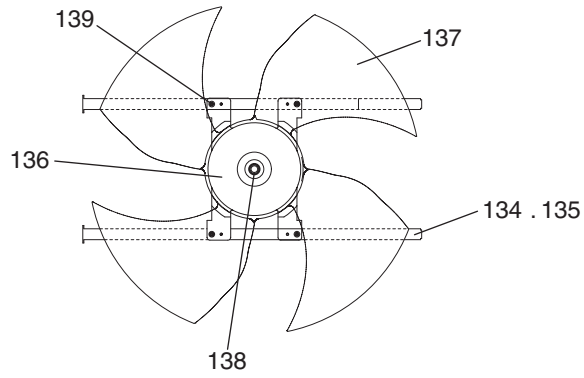
BWE02226C

INDEX
QAHV-N136YAU-HPB QAHV-N136YAU-HPB-BS

Part information update day : 2026-06-11

Please change the old catalog (issued Feb. 2025, No.BWE02226B) to this new catalog.
Content of revision : Some of parts are changed.

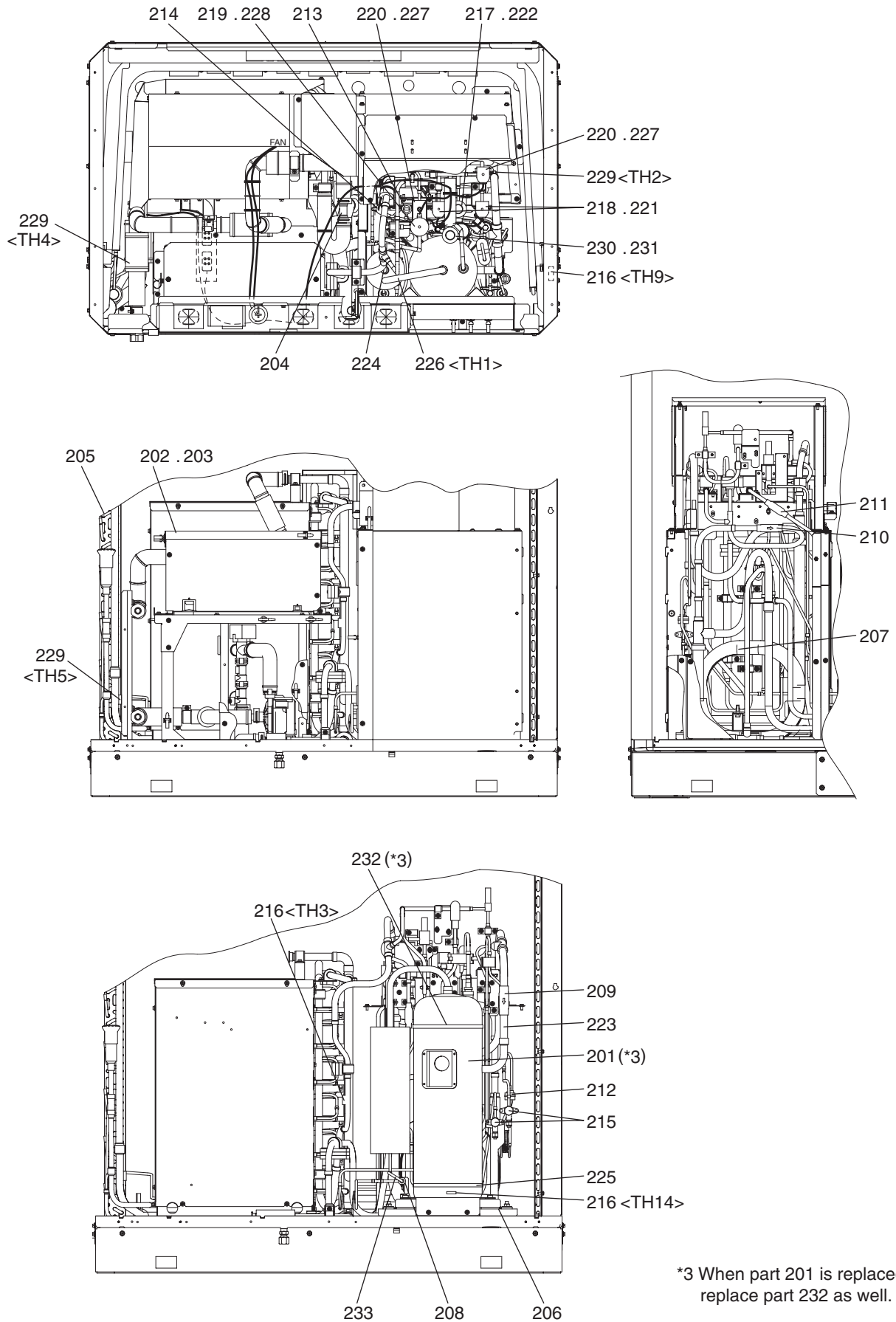




*1 Each unit requires
 47 H screws (Part No.142).
 *2 Each unit requires
 30 WFT screws (Part No.143).

No.	Part No.	Part Name	Spec.	QAHV-N136YAU-HPB	QAHV-N136YAU-HPB-BS					Dwg. No.	Notes for the models	Revision info.
101	R11 019 626	Pillar LF		1						KB02A011G07		
102	R11 020 626	Pillar LF	BS	1						KB02A011G08		
103	R11 014 626	Pillar RF		1						KB02A012G07		
104	R11 015 626	Pillar RF	BS	1						KB02A012G08		
105	R63 002 627	Pillar B		2						KB02A013G07		
106	R12 034 626	Pillar B	BS	2						KB02A013G10		
107	R63 038 162	Frame assy L		1						KD00G100G01		
108	R63 040 162	Frame assy L	BS	1						KD00G100G02		
109	R63 039 162	Frame assy R		1						KD00G101G01		
110	R63 041 162	Frame assy R	BS	1						KD00G101G02		
111	R12 037 215	Frame assy TB		1						KC00R939G01		
112	R12 038 215	Frame assy TB	BS	1						KC00R939G02		
113	R12 039 215	Frame assy TF		1						KC00R938G01		
114	R12 040 215	Frame assy TF	BS	1						KC00R938G02		
115	R12 043 215	Frame assy MU		1						KC00G234G17		
116	R12 044 215	Frame assy MU	BS	1						KC00G234G18		
117	R12 047 215	Frame assy MBL		1						KC00G384G11		
118	R12 048 215	Frame assy MBL	BS	1						KC00G384G12		
119	R12 022 215	Frame assy MBR		1						KC00H064G05		
120	R12 023 215	Frame assy MBR	BS	1						KC00H064G06		
121	R61 004 119	Bell mouth		1	1					KB25A368H04		
122	R11 003 009	Fanguard		1	1					KB25V019H04		
123	R61 009 669	Fanguard fixed plate		4	4					KD02D205H03		
124	R12 042 011	Cover piping		1						KC00H258G28		
125	R12 043 011	Cover piping	BS	1						KC00H258G29		
126	R12 045 661	Panel assy FB		1						KC02B483G01		
127	R12 046 661	Panel assy FB	BS	1						KC02B483G02		
128	R12 101 661	Panel assy FU		1						KC00R942G03		
129	R12 102 661	Panel assy FU	BS	1						KC00R942G04		
130	R61 007 611	Fin guard LR		2	2					KB07C043G06		Chg.
131	R12 004 400	Cover fanguard		2						KC02J299G01		
132	R12 005 400	Cover fanguard	BS	2						KC02J299G02		
133	R61 003 118	Fin guard B		1	1					KB07T209G01		
134	R61 016 140	Base fan		2						KD02D026H01		
135	R61 017 140	Base fan	BS	2						KD02D026G04		
136	R61 167 220	Motor	L-920-B4-1	1	1					P780225X02		
137	R61 001 300	Fan		1	1					KB25A009H05		
138	R63 4H6 122	Box nut	M12 CH	1	1					P552000X01		
139	R61 028 087	Upset screw	M6 x 22	4	4					P516049X01		
140	R11 617 230	Plastic Window		1	1					KN25C1PUH01		
141	R63 L59 060	Guard fixed plate		1	1					W893727H04		
142	R61 048 087	H screw	5 x 10 KNURLED (30pcs)	2	2					KB00H418G14	*1	
143	R63 006 087	WFT screw	5 x 12 (30 pcs)	2	2					KB00H418G01	*2	

Refrigerant circuit



*3 When part 201 is replaced, replace part 232 as well.

Water circuit

