

SPLIT-TYPE AIR CONDITIONERS

## OUTDOOR UNIT

February 2026

No. TCB153  
REVISED EDITION-B



# PARTS CATALOG

### Models

**SUZ-CA18NLH-U1**

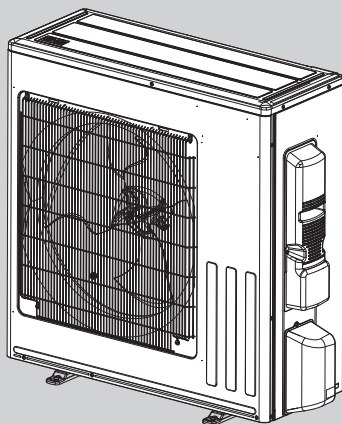
**SUZ-CA24NLH-U1**

**SUZ-CA30NLH-U1**

**SUZ-CA36NLH-U1**

Revision:  
• Some descriptions have been modified.

TCB153A is void.



### CONTENTS

1. SERVICE PARTS LIST .....	2
2. OPTIONAL PARTS .....	10

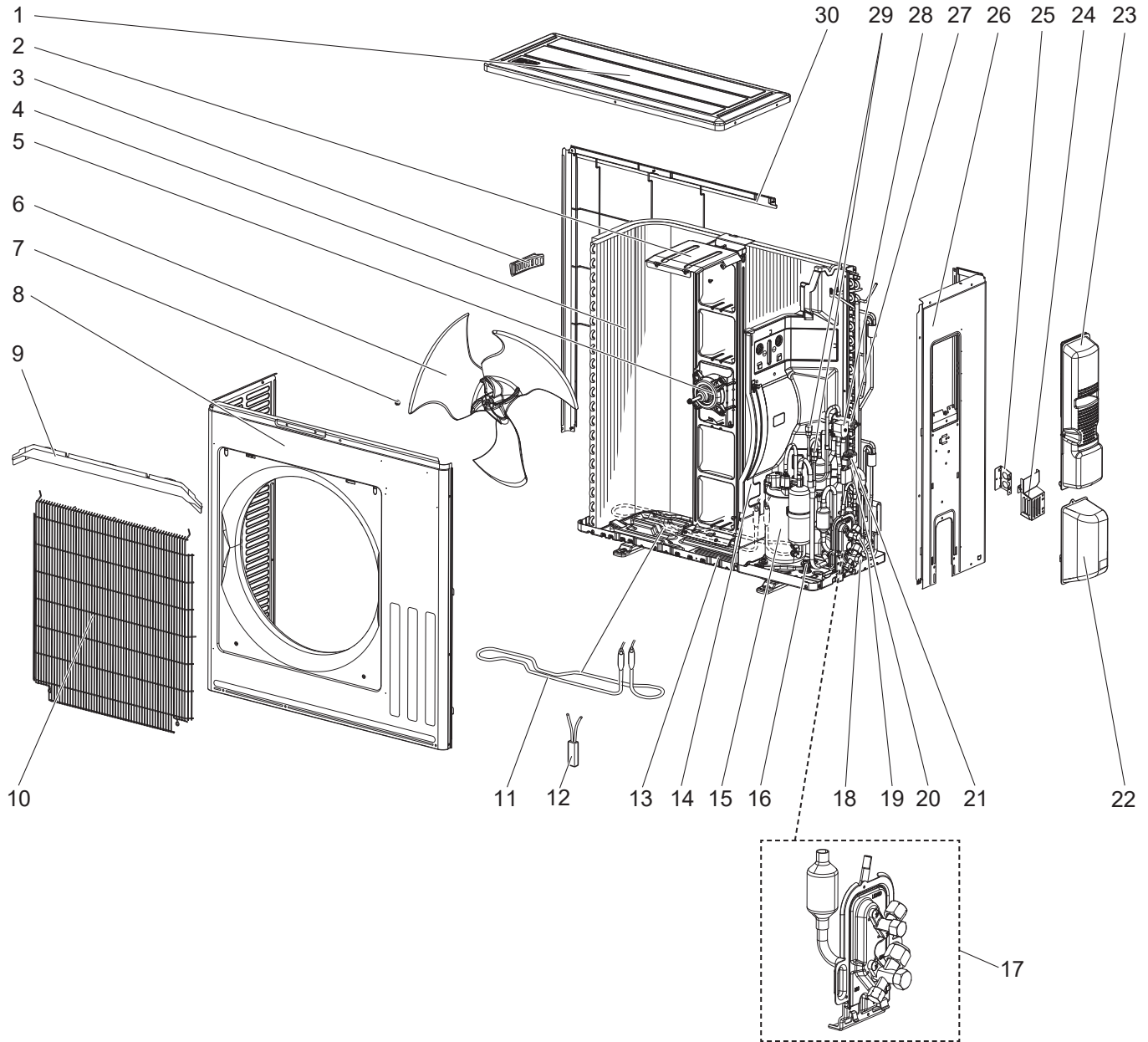
**SERVICE MANUAL (TCH153B)**

# 1

# SERVICE PARTS LIST

SUZ-CA18NLH-U1

## 1-1. OUTDOOR UNIT STRUCTURAL PARTS



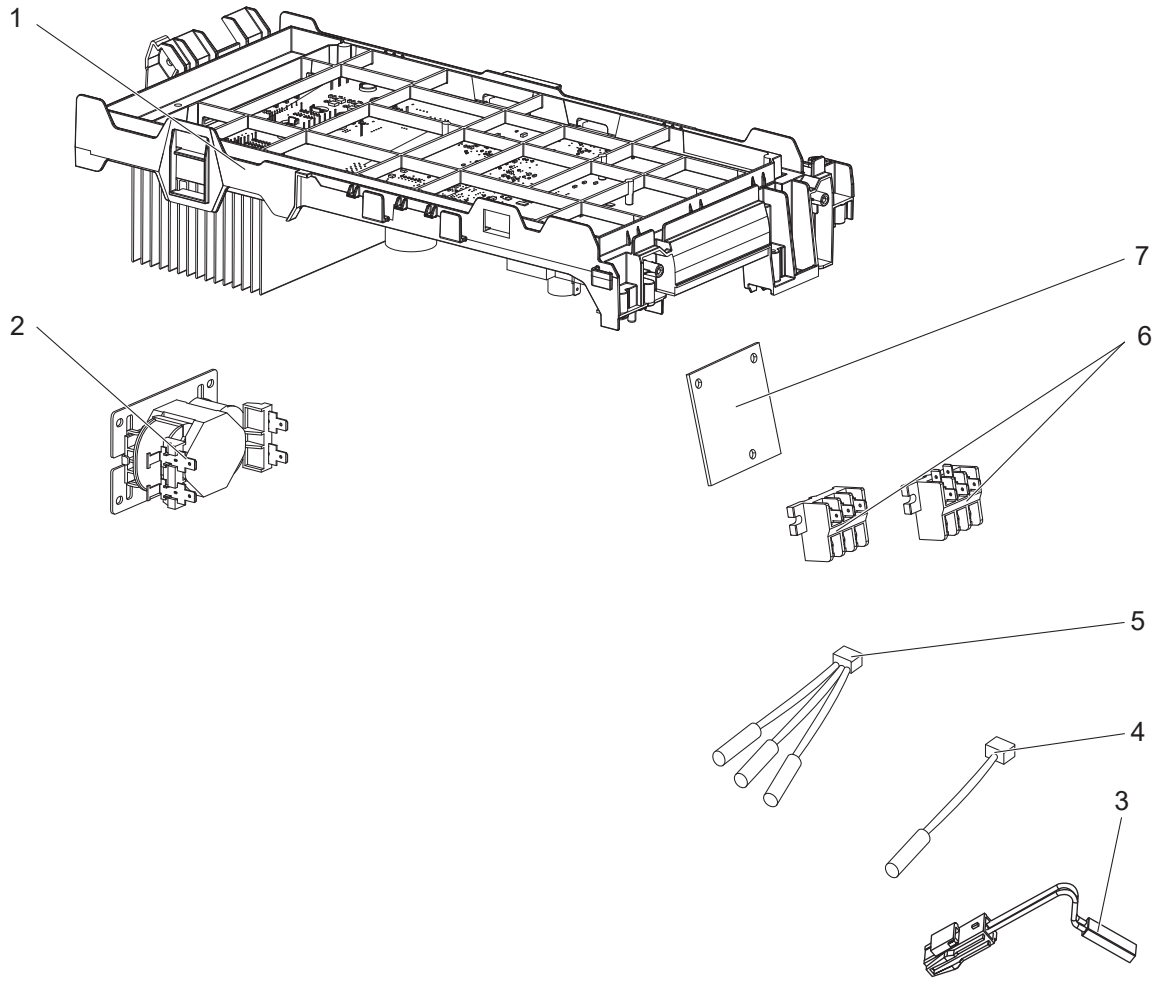
## 1-1. OUTDOOR UNIT STRUCTURAL PARTS

1. The part quantity below indicates the required number of pieces per unit.

2. The circled No. indicates that the part is not shown in the figure.

No.	Part No.	Part Name	SUZ-CA18NLH-U1	Symbol in Wiring Diagram	Remarks [Drawing No.]
1	E22 L87 297	TOP PANEL	1		
2	E22 33N 515	MOTOR SUPPORT	1		
3	E22 817 009	HANDLE	1		
4	E22 52V 630	OUTDOOR HEAT EXCHANGER	1		
5	E22 91F 301	OUTDOOR FAN MOTOR	1	MF	RC0J50-□□
6	E22 91F 501	PROPELLER FAN	1		
7	E27 L05 508	PROPELLER FAN NUT	1		
8	E22 7H3 232	CABINET	1		
9	E22 33N 531	ICE GUARD	1		
10	E22 91F 521	GRILLE	1		
11	E22 J52 526	DEFROST HEATER	1	H	
12	E22 J52 381	HEATER PROTECTOR	1	26H	
13	E22 57N 290	BASE	1		
14	E22 57N 293	SEPARATOR	1		
15	E22 7H3 900	COMPRESSOR	1	MC	SRB172FQHMT
16	E22 C34 506	COMPRESSOR RUBBER SET	3		3 RUBBERS/SET
17	E27 2C1 663	STOP VALVE ASSY	1		Includes STOP VALVES (LIQ $\phi$ 1/4 ( $\phi$ 6.35), GAS $\phi$ 1/2 ( $\phi$ 12.7)), muffler
18	E27 2C1 661	STOP VALVE (GAS)	1		$\phi$ 1/2 ( $\phi$ 12.7)
19	E22 89R 662	STOP VALVE (LIQUID)	1		$\phi$ 1/4 ( $\phi$ 6.35)
20	E22 89R 645	EXPANSION VALVE ASSY	1		Includes LEV body, capillary tube O.D. 0.157 × I.D. 0.094 × 3-15/16 ( $\phi$ 4.0 × $\phi$ 2.4 × 100), muffler
21	E22 55J 493	EXPANSION VALVE COIL	1	LEV	
22	E22 F28 650	VALVE COVER	1		
23	E22 91F 245	SERVICE PANEL	1		
24	E22 43F 979	CONDUIT COVER	1		
25	E22 29F 978	CONDUIT PLATE	1		
26	E22 33N 233	BACK PANEL	1		
27	E22 J61 961	4-WAY VALVE	1		
28	E22 33N 490	R.V. COIL	1	21S4	
29	E22 E79 641	SERVICE PORT (H, L)	2		
30	E22 L87 523	CONDENSER NET	1		
③1	—	H2I LABEL	1		[ BT79C374H03 ]
③2	—	PB SUPPORT	1		[ DY00B954G02 ]
③3	—	PB COVER	1		[ DY00B955G01 ]
③4	—	LEAD ASSY COMP	1		[ DY78C464G18 ]
③5	—	COMP FELT (TOP)	1		[ SQ33N879H05 ]
③6	—	COMP FELT (BODY)	1		[ JQ33Y367H01 ]

**SUZ-CA18NLH-U1**  
**1-2. OUTDOOR UNIT ELECTRICAL PARTS**



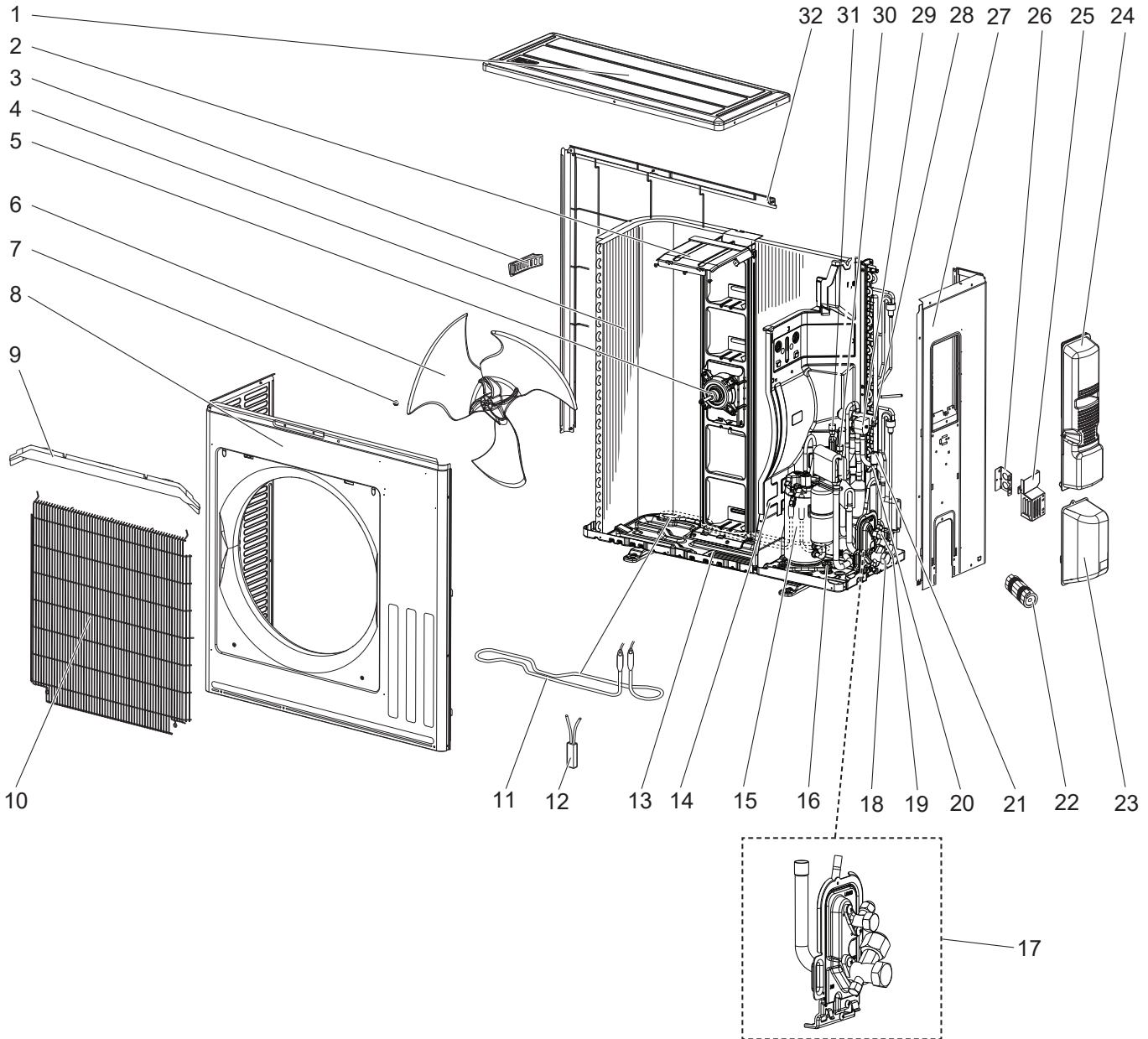
## 1-2. OUTDOOR UNIT ELECTRICAL PARTS

1. The part quantity below indicates the required number of pieces per unit.

No.	Part No.	Part Name	SUZ-CA18NLH-U1	Symbol in Wiring Diagram	Remarks
1	E27 2C3 451	INVERTER P.C. BOARD	1		Includes heat sink and RT64
2	E22 4L1 337	REACTOR	1	L	
3	E22 42X 381	COMPRESSOR PROTECTOR	1	26C	
4	E22 38F 309	AMBIENT TEMPERATURE THERMISTOR	1	RT65	
5	E22 F28 308	THERMISTOR SET	1	RT61,RT62, RT68	Combined type
6	E22 88R 374	TERMINAL BLOCK	1	TB1	3 P
	E22 89R 374	TERMINAL BLOCK	1	TB2	3 P
7	E22 88R 382	FUSE P.C. BOARD	1	F65, F66	T6.3AL250V

SUZ-CA24NLH-U1  
SUZ-CA30NLH-U1  
SUZ-CA36NLH-U1

1-3. OUTDOOR UNIT STRUCTURAL PARTS



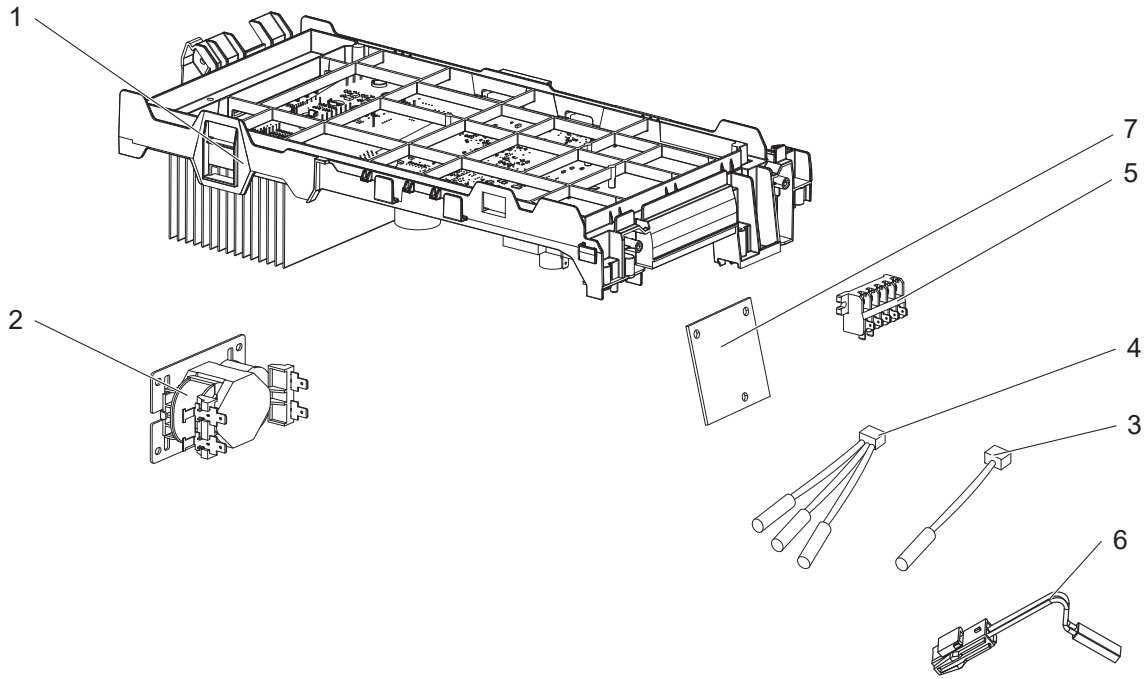
### 1-3. OUTDOOR UNIT STRUCTURAL PARTS

1. The part quantity below indicates the required number of pieces per unit.

No.	Part No.	Part Name	SUZ-CA24NLH-U1	SUZ-CA30NLH-U1	SUZ-CA36NLH-U1	Symbol in Wiring Diagram	Remarks [Drawing No.]
1	E22 L87 297	TOP PANEL	1	1	1		
2	E22 59N 515	MOTOR SUPPORT	1	1	1		
3	E22 817 009	HANDLE	1	1	1		
4	E22 52V 630	OUTDOOR HEAT EXCHANGER	1	1	1		
5	E22 91F 301	OUTDOOR FAN MOTOR	1	1	1	MF	RC0J50-□□
6	E22 91F 501	PROPELLER FAN	1	1	1		
7	E27 L05 508	PROPELLER FAN NUT	1	1	1		
8	E27 2C4 232	CABINET	1	1	1		
9	E22 33N 531	ICE GUARD	1	1	1		
10	E22 91F 521	GRILLE	1	1	1		
11	E22 J52 526	DEFROST HEATER	1	1	1	H	Includes 26H
12	E22 J52 381	HEATER PROTECTOR	1	1	1	26H	
13	E22 57N 290	BASE	1	1	1		
14	E22 57N 293	SEPARATOR	1	1	1		
15	E27 2C4 900	COMPRESSOR	1	1	1	MC	SRB220FQYMT
16	E22 C34 506	COMPRESSOR RUBBER SET	3	3	3		3 RUBBERS/SET
17	E22 59N 663	STOP VALVE ASSY	1	1	1		Includes STOP VALVES (LIQ $\phi$ 1/4 ( $\phi$ 6.35), GAS $\phi$ 5/8 ( $\phi$ 15.88))
18	E22 52V 661	STOP VALVE(GAS)	1	1	1		$\phi$ 5/8( $\phi$ 15.88)
19	E22 89R 662	STOP VALVE(LIQUID)	1	1	1		$\phi$ 1/4 ( $\phi$ 6.35)
20	E22 59N 645	EXPANSION VALVE ASSY	1	1	1		Includes LEV body, capillary tube O.D. 0.157 × I.D. 0.094 × 3-15/16 ( $\phi$ 4.0 × $\phi$ 2.4 × 100), muffler
21	E22 55J 493	EXPANSION VALVE COIL	1	1	1	LEV	
22	E27 2C4 980	JOINT PIPE	1	1	1		Liquid 3/8-1/4
23	E22 F28 650	VALVE COVER	1	1	1		
24	E22 91F 245	SERVICE PANEL	1	1	1		
25	E22 43F 979	CONDUIT COVER	1	1	1		
26	E22 29F 978	CONDUIT PLATE	1	1	1		
27	E22 33N 233	BACK PANEL	1	1	1		
28	E22 J61 961	4-WAY VALVE	1	1	1		
29	E22 33N 490	R.V. COIL	1	1	1	21S4	
30	E22 L85 641	SERVICE PORT	1	1	1		
31	E22 E79 641	SERVICE PORT	1	1	1		
32	E22 L87 523	CONDENSER NET	1	1	1		

SUZ-CA24NLH-U1  
SUZ-CA30NLH-U1  
SUZ-CA36NLH-U1

1-4. OUTDOOR UNIT ELECTRICAL PARTS



## 1-4. OUTDOOR UNIT ELECTRICAL PARTS

1. The part quantity below indicates the required number of pieces per unit.

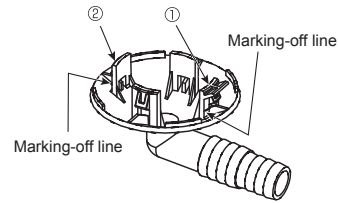
No.	Part No.	Part Name	SUZ-CA24NLH-U1	SUZ-CA30NLH-U1	SUZ-CA36NLH-U1	Symbol in Wiring Diagram	Remarks
1	E27 4U9 451	INVERTER P.C. BOARD	1				Includes heat sink and RT64
	E27 5U0 451	INVERTER P.C. BOARD		1			Includes heat sink and RT64
	E27 5U1 451	INVERTER P.C. BOARD			1		Includes heat sink and RT64
2	E22 4L1 337	REACTOR	1	1	1	L	
3	E22 29F 309	AMBIENT THERMISTOR ASSEMBLY	1	1	1	RT65	
4	E22 F28 308	THERMISTOR SET	1	1	1	RT61, RT62, RT68	DEFROST THERMISTOR (RT61) DISCHARGE TEMPERATURE (RT62) OUTDOOR HEAT EXCHANGER TEMPERATURE (RT68)
5	E22 52V 374	TERMINAL BLOCK	1	1	1	TB1	5 P
6	E22 42X 381	COMPRESSOR PROTECTOR	1	1	1	26C	
7	E22 88R 382	FUSE P.C. BOARD	1	1	1	F65, F66	T6.3AL250V

# 2

# OPTIONAL PARTS

## 2-1. DRAIN SOCKET

Model	Parts No.
SUZ-CA18NLH-U1 SUZ-CA24NLH-U1 SUZ-CA30NLH-U1 SUZ-CA36NLH-U1	MAC-860DS



### Installing a Drain Socket

For  $\Phi$  1-5/8 ( $\Phi$  42) hole

Put the tab ① in the hole first, and then the tab ②.

## MITSUBISHI ELECTRIC CORPORATION

HEAD OFFICE: TOKYO BUILDING, 2-7-3, MARUNOUCHI, CHIYODA-KU, TOKYO 100-8310, JAPAN

MITSUBISHI ELECTRIC CONSUMER PRODUCTS (THAILAND) CO., LTD.

700/406 MOO 7, TAMBON DON HUA ROH,  
AMPHUR MUANG, CHONBURI 20000 THAILAND

Issued: Feb. 2026. No. TCB153 REVISED EDITION-B

Issued: Oct. 2025. No. TCB153 REVISED EDITION-A

Published: Mar. 2025. No. TCB153

Made in Thailand

Specifications are subject to change without notice.

TCB153B