

PARTS CATALOG

R410A

Outdoor unit
[Model Name]

[Service Ref.]

SUZ-KA09NA2
SUZ-KA09NAH2

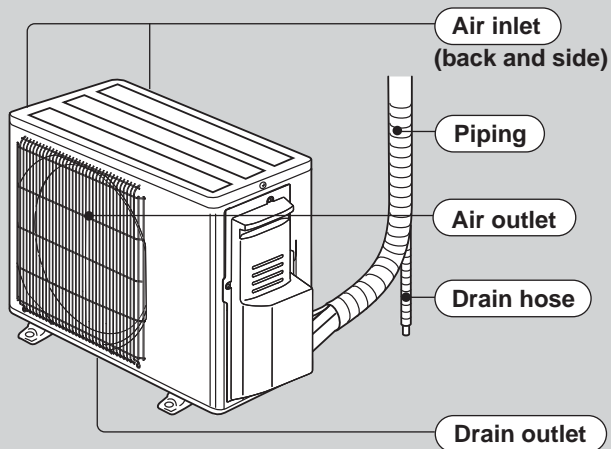
SUZ-KA09NA2.MX
SUZ-KA09NAH2.MX

SUZ-KA12NA2
SUZ-KA12NAH2

SUZ-KA12NA2.MX
SUZ-KA12NAH2.MX

SUZ-KA15NA2
SUZ-KA15NAH2

SUZ-KA15NA2.MX
SUZ-KA15NAH2.MX



SUZ-KA09NA(H)2.MX

CONTENTS

- 1. SERVICE PARTS LIST..... 2
- 2. OPTIONAL PARTS..... 4

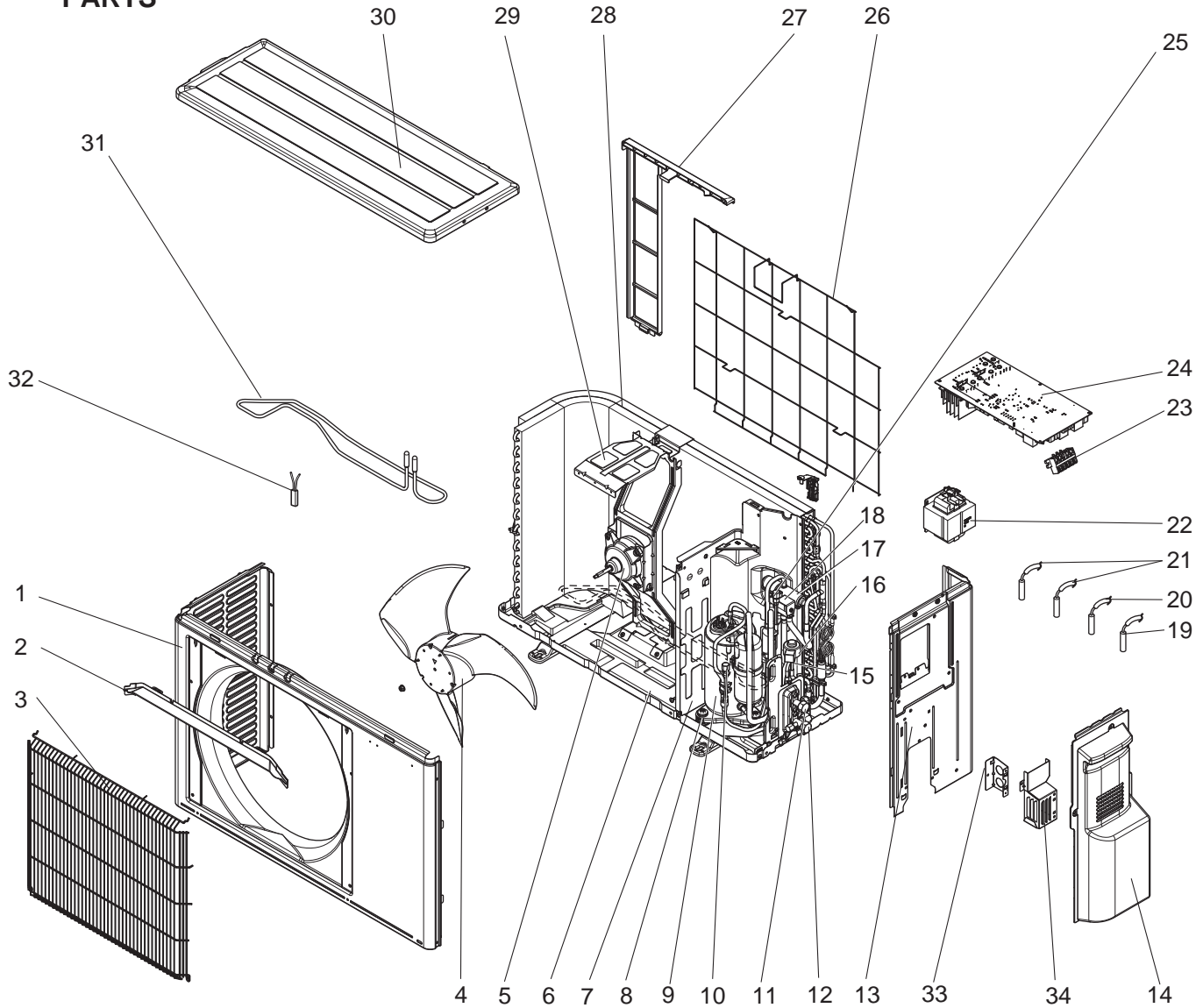
SERVICE MANUAL (OCH699)

1

SERVICE PARTS LIST

SUZ-KA09NA2.MX SUZ-KA09NAH2.MX
SUZ-KA12NA2.MX SUZ-KA12NAH2.MX
SUZ-KA15NA2.MX SUZ-KA15NAH2.MX

1-1. OUTDOOR UNIT STRUCTURAL PARTS, ELECTRICAL PARTS AND FUNCTIONAL PARTS



1-1. OUTDOOR UNIT STRUCTURAL PARTS, ELECTRICAL PARTS AND FUNCTIONAL PARTS

Part number that is circled is not shown in the illustration.

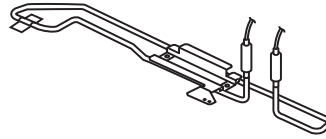
| No. | Part No. | Part Name | Symbol in Wiring Diagram | Q'ty/unit SUZ-KA | | | | | | Remarks |
|-----|-------------|--------------------------|--------------------------|------------------|---------|--------|---------|--------|---------|---------------------------------|
| | | | | 09 NA2 | 09 NAH2 | 12 NA2 | 12 NAH2 | 15 NA2 | 15 NAH2 | |
| 1 | U01 A04 232 | CABINET | | 1 | 1 | 1 | 1 | 1 | 1 | |
| 2 | U01 A01 531 | ICE GUARD | | 1 | 1 | 1 | 1 | 1 | 1 | |
| 3 | U01 A02 521 | GRILLE (OUT) | | 1 | 1 | 1 | 1 | 1 | 1 | |
| 4 | U01 A01 501 | PROPELLER FAN | | 1 | 1 | 1 | 1 | 1 | 1 | |
| | U01 A01 508 | PROPELLER FAN NUT | | 1 | 1 | 1 | 1 | 1 | 1 | |
| 5 | U01 A01 301 | OUTDOOR FAN MOTOR | MF | 1 | 1 | 1 | 1 | 1 | 1 | |
| 6 | U01 A02 290 | BASE | | 1 | | 1 | | 1 | | |
| | U01 A01 290 | | | | 1 | | 1 | | | |
| 7 | U01 A02 293 | SEPARATOR | | 1 | | 1 | | 1 | | |
| | U01 A01 293 | | | | 1 | | 1 | | | |
| 8 | U01 A01 506 | COMPRESSOR RUBBER MOUNT | | 3 | 3 | 3 | 3 | 3 | 3 | |
| 9 | U01 A03 900 | COMPRESSOR (KNB073FRVMC) | MC | 1 | 1 | | | | | KNB073FRVMC |
| | U01 A01 900 | COMPRESSOR (SNB092FQAMT) | | | | 1 | 1 | | | SNB092FQAMT |
| | U01 A04 900 | COMPRESSOR (SNB130FQBMT) | | | | | | 1 | 1 | SNB130FQBMT |
| 10 | U01 A02 641 | SERVICE PORT | | 1 | 1 | 1 | 1 | 1 | 1 | Discharge line |
| 11 | U01 A01 410 | STOP VALVE ASSY | | 1 | 1 | | | | | Including STOP VALVES(LIQ, GAS) |
| 12 | U01 A02 410 | | | | | 1 | 1 | | | Including STOP VALVES(LIQ, GAS) |
| | U01 A03 410 | | | | | | | 1 | 1 | Including STOP VALVES(LIQ, GAS) |
| 13 | U01 A01 233 | BACK PANEL (OUT) | | 1 | 1 | 1 | 1 | 1 | 1 | |
| 14 | U01 A01 245 | SERVICE PANEL | | 1 | 1 | 1 | 1 | 1 | 1 | |
| 15 | U01 A01 401 | EXPANSION VALVE ASSY | | 1 | 1 | | | | | |
| | U01 A02 401 | EXPANSION VALVE ASSY | | | | 1 | 1 | 1 | 1 | |
| 16 | U01 A01 493 | EXPANSION VALVE COIL | LEV | 1 | 1 | 1 | 1 | 1 | 1 | |
| 17 | U01 A02 961 | 4-WAY VALVE | | 1 | 1 | | | | | |
| | U01 A01 961 | | | | | 1 | 1 | 1 | 1 | |
| 18 | U01 A01 490 | SOLENOID COIL | 21S4 | 1 | 1 | 1 | 1 | 1 | 1 | |
| 19 | U01 A04 308 | THERMISTOR | RT65 | 1 | 1 | 1 | 1 | 1 | 1 | |
| 20 | U01 A02 307 | THERMISTOR | RT68 | 1 | 1 | 1 | 1 | 1 | 1 | |
| 21 | U01 A01 306 | THERMISTOR | RT61, RT62 | 1 | 1 | 1 | 1 | 1 | 1 | |
| 22 | U01 A02 337 | REACTOR | L61 | 1 | 1 | | | | | |
| | U01 A01 337 | | L61 | | | 1 | 1 | 1 | 1 | |
| 23 | U01 A01 374 | TERMINAL BLOCK | TB | 1 | 1 | 1 | 1 | 1 | 1 | 5 P |
| 24 | U01 A29 451 | INVERTER P.C. BOARD | | 1 | 1 | | | | | |
| | U01 A30 451 | | | | | 1 | 1 | | | Including heat sink and RT64 |
| | U01 A31 451 | | | | | | | 1 | 1 | |
| 25 | U01 A01 641 | SERVICE PORT | | 1 | 1 | 1 | 1 | 1 | 1 | Suction line |
| 26 | U01 A01 525 | CONDENSER WIRE NET | | 1 | 1 | 1 | 1 | 1 | 1 | |
| 27 | U01 A01 523 | CONDENSER NET | | 1 | 1 | 1 | 1 | 1 | 1 | |
| 28 | U01 A05 630 | OUTDOOR HEAT EXCHANGER | | 1 | 1 | 1 | 1 | 1 | 1 | |
| 29 | U01 A01 515 | MOTOR SUPPORT | | 1 | 1 | 1 | 1 | 1 | 1 | |
| 30 | U01 A01 297 | TOP PANEL | | 1 | 1 | 1 | 1 | 1 | 1 | |
| 31 | U01 A01 526 | DEFROST HEATER | H | | 1 | | 1 | | 1 | Including lead assembly |
| 32 | U01 A01 381 | HEATER PROTECTOR | 26H | | 1 | | 1 | | 1 | |
| 33 | U01 A02 978 | CONDUIT PLATE | | 1 | 1 | 1 | 1 | 1 | 1 | |
| 34 | U01 A02 979 | CONDUIT COVER | | 1 | 1 | 1 | 1 | 1 | 1 | |
| 35 | U01 A03 515 | PB SUPPORT | | 1 | 1 | 1 | 1 | 1 | 1 | |
| 36 | U01 A01 811 | PB COVER | | 1 | 1 | 1 | 1 | 1 | 1 | |
| 37 | U01 A01 602 | COMP FELT (TOP) | | 1 | 1 | 1 | 1 | 1 | 1 | |
| 38 | U01 A02 602 | COMP FELT (BODY) | | 1 | 1 | 1 | 1 | 1 | 1 | |
| 39 | U01 A03 602 | COMP FELT (OUTER) | | 1 | 1 | 1 | 1 | 1 | 1 | |
| 40 | U01 A01 397 | LEAD ASSY COMP | | 1 | 1 | | | | | |
| | U01 A02 397 | | | | | 1 | 1 | 1 | 1 | |
| 41 | U01 M01 987 | BRAND LABEL | | 1 | 1 | 1 | 1 | 1 | 1 | |

2

OPTIONAL PARTS

2-1. DEFROST HEATER

| Model | Parts No. |
|---|-------------|
| SUZ-KA09NA2 SUZ-KA12NA2 SUZ-KA15NA2 | MAC-640BH-U |



Components

| | | | | | |
|---|----------------|---|---|---------------------|---|
| ① | Defrost heater | 1 | ④ | Cable tie | 1 |
| ② | Aluminum tape | 1 | ⑤ | Self drilling screw | 2 |
| ③ | Heater support | 1 | ⑥ | Insulation | 1 |

mitsubishi electric corporation

HEAD OFFICE: TOKYO BUILDING., 2-7-3, MARUNOUCHI, CHIYODA-KU, TOKYO100-8310, JAPAN