



PARTS CATALOG

R410A

Outdoor unit
[Model Name]

[Service Ref.]

SUZ-KA09NAHZ

SUZ-KA09NAHZ.TH

SUZ-KA12NAHZ

SUZ-KA12NAHZ.TH

SUZ-KA15NAHZ

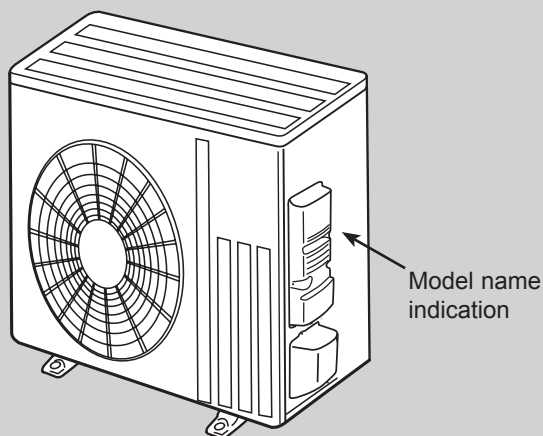
SUZ-KA15NAHZ.TH

SUZ-KA18NAHZ

SUZ-KA18NAHZ.TH

CONTENTS

1. SERVICE PARTS LIST.....	2
----------------------------	---



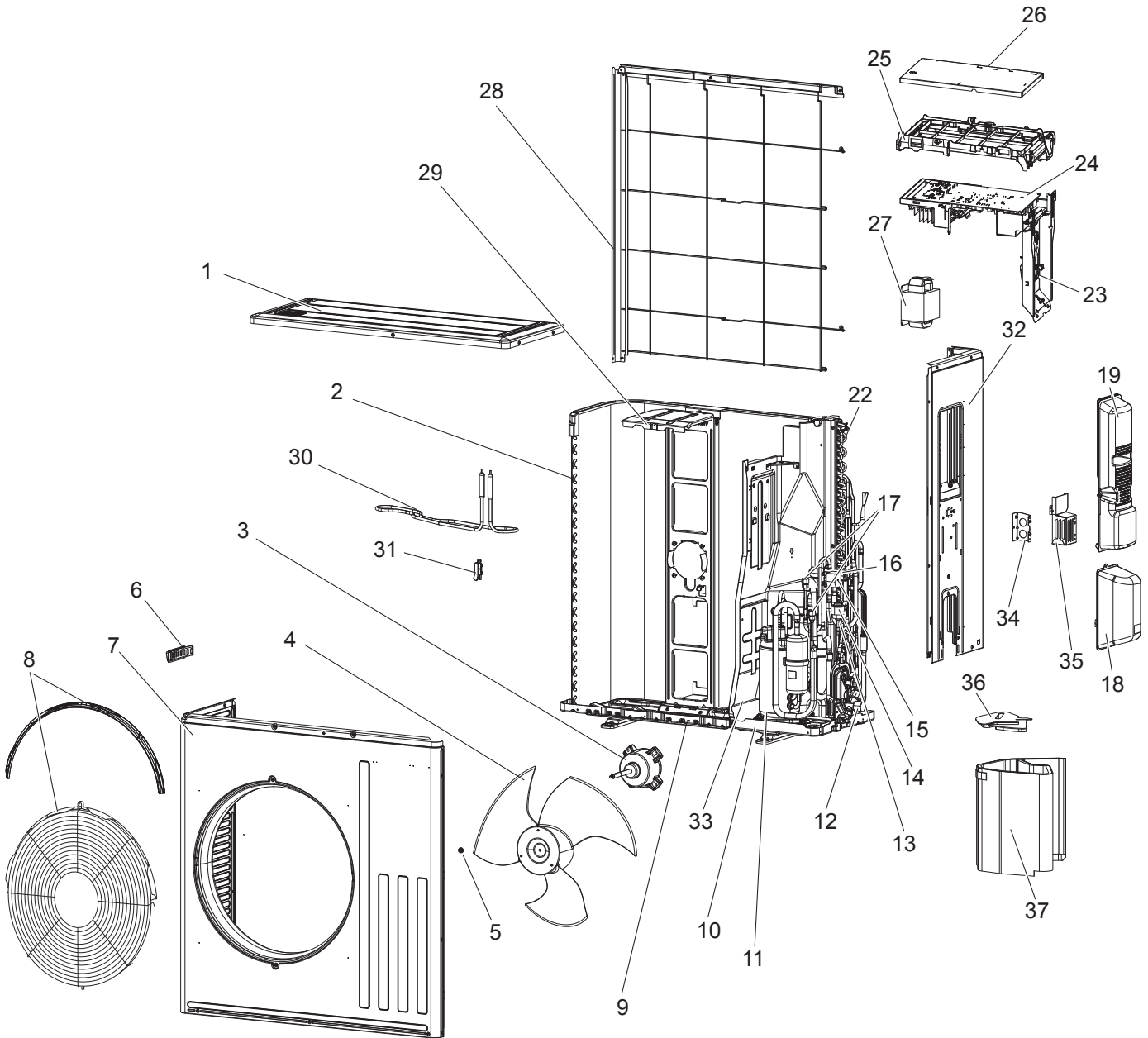
SUZ-KA09NAHZ.TH

SERVICE MANUAL (OCH709)

1

SERVICE PARTS LIST

OUTDOOR UNIT STRUCTURAL PARTS, ELECTRICAL PARTS AND FUNCTIONAL PARTS SUZ-KA09NAHZ.TH SUZ-KA12NAHZ.TH

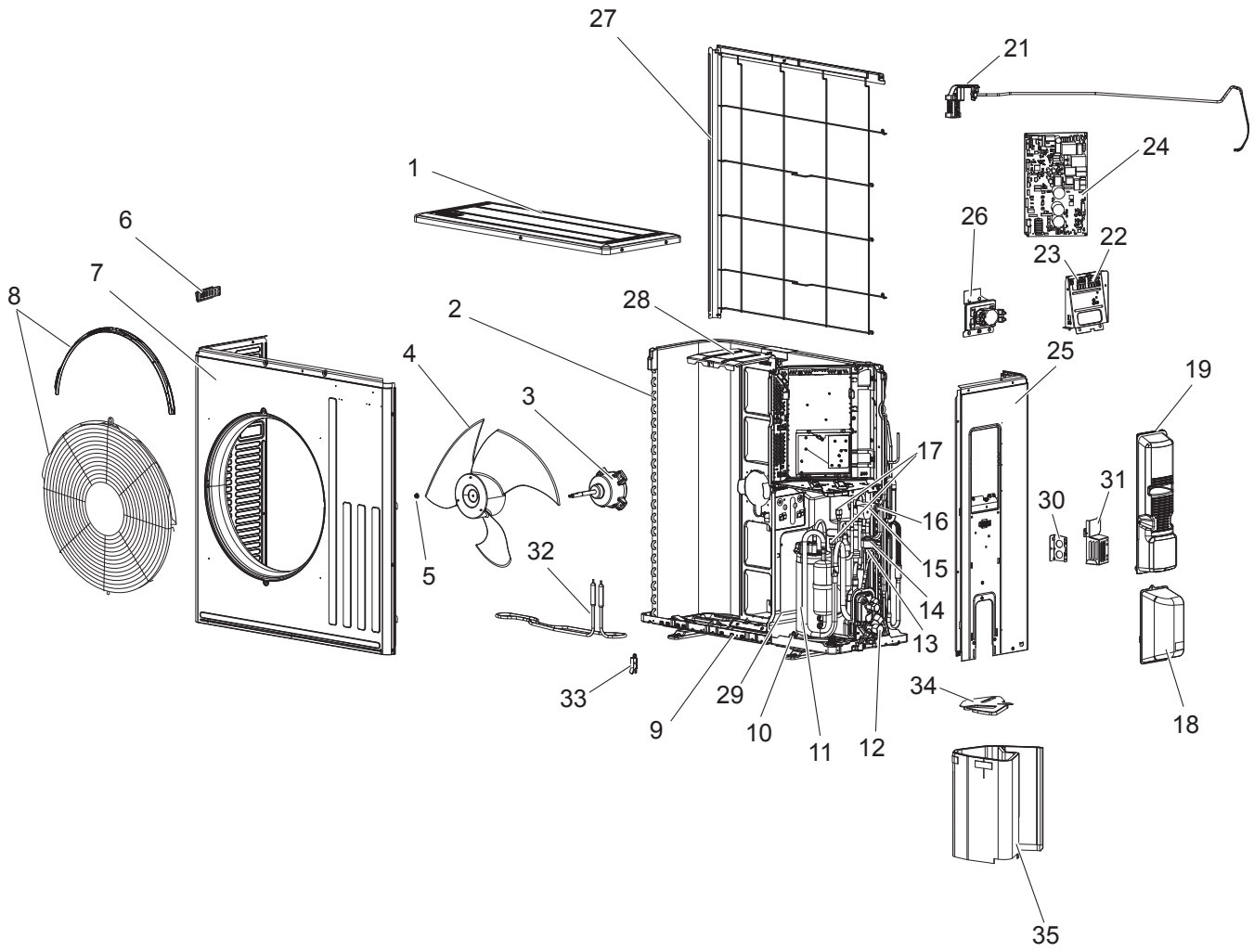


The part quantity below indicates the required number of pieces per unit.

No.	Part No.	Part Name	SUZ-KA09NAHZ. TH	SUZ-KA12NAHZ. TH	Wiring Diagram Symbol	Remarks [Drawing No.]
1	E27 L07 297	TOP PANEL	1	1		
2	E22 N94 630	OUTDOOR HEAT EXCHANGER	1	1		
3	E27 M59 301	OUTDOOR FAN MOTOR	1	1	MF	
4	E22 F28 501	PROPELLER FAN	1	1		
5	E27 L05 508	PROPELLER FAN NUT	1	1		
6	E22 817 009	HANDLE	1	1		
7	E22 N94 232	CABINET	1	1		
8	E22 N94 521	FAN GUARD	1	1		Includes ice guard
9	E22 H25 290	BASE	1	1		
10	E22 C34 506	COMPRESSOR RUBBER MOUNT	3	3		3 pcs/set
11	E27 W10 900	COMPRESSOR	1	1	MC	SNB130FHBM2T
12	E27 W10 663	STOP VALVE ASSY	1	1		Includes STOP VALVE(LIQ, GAS)
13	E22 29F 645	EXPANSION VALVE ASSY	1	1		Includes LEV body, Capillary tube
14	E27 W10 493	EXPANSION VALVE COIL	1	1	LEV	
15	E22 N91 490	R.V. COIL	1	1	21S4	
16	E22 A56 961	4-WAY VALVE	1	1		
17	E22 E79 641	SERVICE PORT	2	2		
18	E22 F28 650	VALVE COVER	1	1		
19	E22 N94 245	SERVICE PANEL	1	1		
20	E22 38F 309	AMBIENT TEMP. THERMISTOR	1	1	RT65	
21	E22 G16 308	THERMISTOR SET	1	1	RT61, RT62	
22	E22 G16 307	OUTDOOR H/E TEMP. THERMISTOR	1	1	RT68	
23	E22 L85 374	TERMINAL BLOCK	1	1	TB1	
24	E27 W10 451	INVERTER P.C. BOARD	1			Includes heat sink and RT64
	E27 W11 451	INVERTER P.C. BOARD		1		Includes heat sink and RT64
25	—	PB SUPPORT	1	1		[RK00A867G02]
26	—	PB COVER	1	1		[RK00G233G04]
27	E22 H21 337	REACTOR	1	1	L61	
28	E22 L87 523	CONDENSER NET	1	1		
29	E22 J52 515	MOTOR SUPPORT	1	1		
30	E22 39F 526	DEFROST HEATER	1	1		H includes 26H
31	E22 J52 381	HEATER PROTECTOR	1	1	26H	
32	E22 N94 233	BACK PANEL (OUT)	1	1		
33	E27 M63 293	SEPARATOR	1	1		
34	E22 29F 978	CONDUIT PLATE	1	1		
35	E22 29F 979	CONDUIT COVER	1	1		
36	—	COMP FELT (TOP)	1	1		[RK33J673H01]
37	—	COMP FELT (BODY)	1	1		[RK33J577H01]
38	E27 N04 250	T.ST SCREW	34	34		
39	—	BRAND LABEL	1	1		[DK79G041H02]
40	—	LEAD ASSY COMP	1	1		[DM00L834G17]

Parts numbers that are circled are not shown in the illustration.

OUTDOOR UNIT STRUCTURAL PARTS, ELECTRICAL PARTS AND FUNCTIONAL PARTS
SUZ-KA15NAHZ.TH SUZ-KA18NAHZ.TH



The part quantity below indicates the required number of pieces per unit.

No.	Part No.	Part Name	SUZ-KA15NAHZ. TH	SUZ-KA18NAHZ. TH	Wiring Diagram Symbol	Remarks [Drawing No.]
1	E27 L07 297	TOP PANEL	1	1		
2	E27 W12 630	OUTDOOR HEAT EXCHANGER	1	1		
3	E22 F28 301	OUTDOOR FAN MOTOR	1	1	MF	
4	E22 F28 501	PROPELLER FAN	1	1		
5	E27 L05 508	PROPELLER FAN NUT	1	1		
6	E22 817 009	HANDLE	1	1		
7	E27 M60 232	CABINET	1	1		
8	E22 N94 521	FAN GUARD	1	1		Includes ice guard
9	E22 H25 290	BASE	1	1		
10	E22 C34 506	COMPRESSOR RUBBER MOUNT	3	3		3 pcs/set
11	E27 W12 900	COMPRESSOR	1	1	MC	SNB220FQGMT
12	E27 W12 663	STOP VALVE ASSY	1	1		Includes STOP VALVE(LIQ, GAS)
13	E22 W12 645	EXPANSION VALVE ASSY	1	1		Includes LEV body, Capillary tube
14	E27 M59 493	EXPANSION VALVE COIL	1	1	LEV	
15	E27 M59 490	R.V. COIL	1	1	21S4	
16	E22 A56 961	4-WAY VALVE	1	1		
17	E22 E79 641	SERVICE PORT	2	2		
18	E22 F28 650	VALVE COVER	1	1		
19	E22 L87 245	SERVICE PANEL	1	1		
⑳	E22 R84 308	THERMISTOR SET	1	1	RT61, RT62, RT68	
21	E22 38F 309	AMBIENT TEMP. THERMISTOR	1	1	RT65	
22	E27 W12 374	TERMINAL BLOCK	1	1	TB1	
23	E22 T16 374	TERMINAL BLOCK	1	1	TB2	
24	E27 W12 451	INVERTER P.C. BOARD	1			Includes heat sink and RT64
	E27 W13 451	INVERTER P.C. BOARD		1		Includes heat sink and RT64
25	E22 N94 233	BACK PANEL (OUT)	1	1		
26	E22 R84 337	REACTOR	1	1	L	
27	E22 L87 523	CONDENSER NET	1	1		
28	E22 J52 515	MOTOR SUPPORT	1	1		
29	E27 M64 293	SEPARATOR	1	1		
30	E22 29F 978	CONDUIT PLATE	1	1		
31	E22 29F 979	CONDUIT COVER	1	1		
32	E22 39F 526	DEFROST HEATER	1	1		H includes 26H
33	E22 J52 381	HEATER PROTECTOR	1	1	26H	
34	—	COMP FELT (TOP)	1	1		[RK33J673H01]
35	—	COMP FELT (BODY)	1	1		[RK33J578H01]
⑳	E27 N04 250	T.ST SCREW	34	34		
㉑	—	BRAND LABEL	1	1		[DK79G041H02]
㉒	—	LEAD ASSY COMP	1	1		[BT78L020G01]
㉓	—	ELECTRICAL PARTS BOX	1	1		[SQ00J359G25]

Parts numbers that are circled are not shown in the illustration.

mitsubishi electric corporation

HEAD OFFICE: TOKYO BUILDING., 2-7-3, MARUNOUCHI, CHIYODA-KU, TOKYO100-8310, JAPAN
