



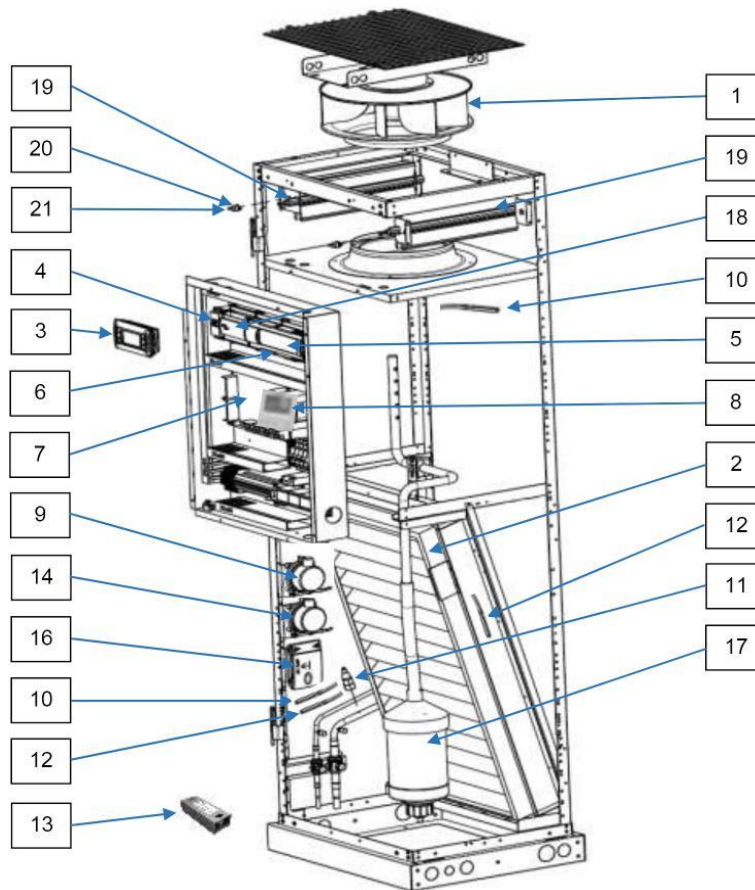
**COMPUTER ROOM AIR CONDITIONER**

**S-MEXT-G02-M1 DX**

**SPARE PARTS CATALOGUE**

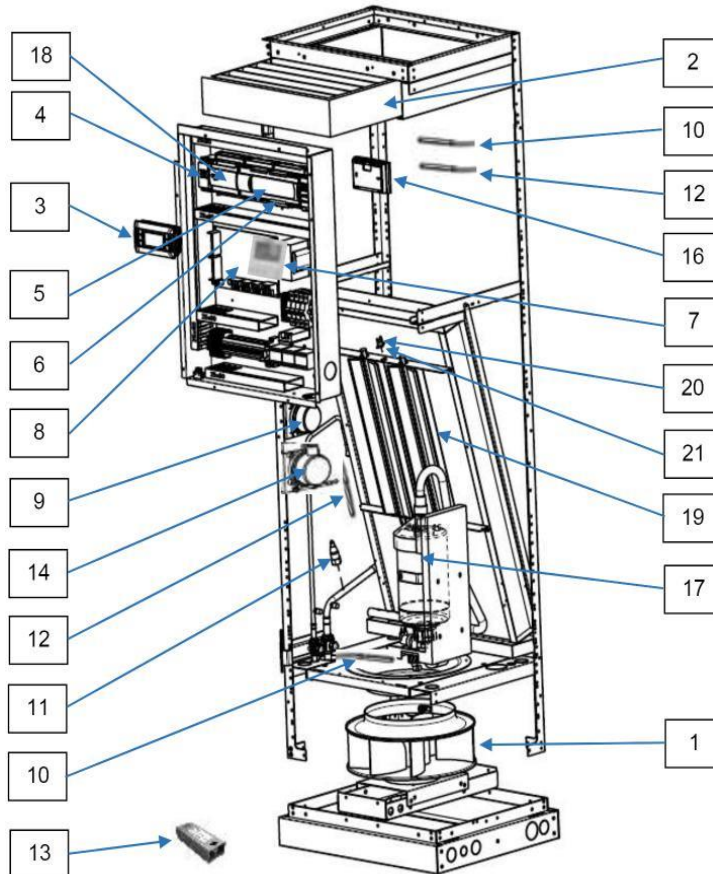


**EN**



Ref.	Code	Description	qty / unit	
			06F1	13F1
1	C20000239H	RADIAL FAN ZIEHL RH31V-6IK.BD.1R	1	-
	C131000027	RADIAL FAN DELTA GTB031FUC20R	1	-
	S120230011	RADIAL FAN EBM R3G355-RS02-H1	-	1
	S120230019	RADIAL FAN EBM R3G355-RT01-I1	-	1
2	C212000112	AIR FILTER MERV8 485X455X94	-	-
	C212000113	AIR FILTER MET MERV8 920X465X44	1	1
	C212000114	AIR FILTER PA5 M6 MERV11 485X455X98	-	-
	C212000115	AIR FILTER PA5 M6 MERV11 920X465X50	1	1
3	C5111075	GRAPHIC DISPLAY PGD1000FW1	1	1
4	C51100013F	FLOODING DETECTOR FLOE000010	1	1
5	C511111813	PCO5+ SMALL- GREY P+5CVB0A000S0	1	1
6	C5111046	RS485 FIELDBUS PCO100FD10	1	1
7	C511111929	KIBAN-IF013-MH BH00G959B64 TSCA	1	1
8	S170780057	REMOTE DISPLAY FOR PAC/KIBAN-IF BH00J360B02	-	-
9	C51002042A	AIR DIFFERENTIAL PRESSURE SWITCH DBL-205A	1	1
10	C511093200	NTC TEMPERATURE PROBE 3mt	2	2
11	S171000031	TRANSD. HUBA 0-30 Bar/4..20mA 5m	1	1
12	S170780058	TEMPERATURE PROBE FOR PAC/KIBAN-IF	3	3
13	C50011245F	FLOODING SENSOR FLOS000000 CAREL	1	1
14	C51002042B	AIR DIFFERENTIAL PRESSURE SWITCH DBL-205C	1	1
16	C509011100	TEMP/UMID SERIAL PROBE DPWC11400	1	1
17	C50007183H	HUMIDIFIER CYLINDER 230V BLCSF00W2	1	1
18	C50011708H	HUMIDIFIER BOARD GREY CPY000U200	1	1
19	C873000183	FINNED HEATER 2KW + CABLE 2,5M	2	2
20	C50901072H	SAFETY THERMOSTAT FOR HEATER	1	1
21	C5100311	CONNECTOR FOR SAFETY THERM. COSIL1000	1	1

The drawing is indicative only and has to be used exclusively as a reference for defining the components



Ref.	Code	Description	qty / unit	
			06F1	13F1
1	C20000239H	RADIAL FAN ZIEHL RH31V-6IK.BD.1R	1	-
	C131000027	RADIAL FAN DELTA GTB031FUC20R	1	-
	S120230011	RADIAL FAN EBM R3G355-RS02-H1	-	1
	S120230019	RADIAL FAN EBM R3G355-RT01-H1	-	1
2	C212000112	AIR FILTER MERV8 485X455X94	1	1
	C212000113	AIR FILTER MET MERV8 920X465X44	-	-
	C212000114	AIR FILTER PA5 M6 MERV11 485X455X98	1	1
	C212000115	AIR FILTER PA5 M6 MERV11 920X465X50	-	-
3	C5111075	GRAPHIC DISPLAY PGD1000FW1	1	1
4	C51100013F	FLOODING DETECTOR FLOE000010	1	1
5	C511111813	PC05+ SMALL- GREY P+SCVB0A000S0	1	1
6	C5111046	RS485 FIELDBUS PCO100FD10	1	1
7	C511111929	KIBAN-IF013-MH BH00G959B64 TSCA	1	1
8	S170780057	REMOTE DISPLAY FOR PAC/KIBAN-IF BH00J360B02	-	-
9	C51002042A	AIR DIFFERENTIAL PRESSURE SWITCH DBL-205A	1	1
10	C511093200	NTC TEMPERATURE PROBE 3mt	2	2
11	S171000031	TRANSD. HUBA 0-30 Bar/4..20mA 5m	1	1
12	S170780058	TEMPERATURE PROBE FOR PAC/KIBAN-IF	3	3
13	C50011245F	FLOODING SENSOR FLOS000000 CAREL	1	1
14	C51002042B	AIR DIFFERENTIAL PRESSURE SWITCH DBL-205C	1	1
16	C509011100	TEMP/UMID SERIAL PROBE DPWC11400	1	1
17	C50007183H	HUMIDIFIER CYLINDER 230V BLCSF00W2	1	1
18	C50011708H	HUMIDIFIER BOARD GREY CPY000U200	1	1
19	C873000183	FINNED HEATER 2KW + CABLE 2,5M	2	2
20	C50901072H	SAFETY THERMOSTAT FOR HEATER	1	1
21	C5100311	CONNECTOR FOR SAFETY THERM. COSIL1000	1	1

The drawing is indicative only and has to be used exclusively as a reference for defining the components

**mitsubishi electric hydronics & it cooling systems**