

Job Name: _____ Location: _____

Drawing Reference: _____ Schedule No. _____

System No.: _____ Date: _____

Ecodan (Hot Water Heat Pump Unit)

Standard Model.....CAHV-P500YB-HPB

Seacoast (BS) Model..... CAHV-P500YB-HPB-BS

GENERAL FEATURES

The Ecodan CAHV packaged hot water heat pump is designed to provide hot water up to 60°-70°C year round, making it an ideal replacement for a boiler system or, better still, an uncompromising method of heating sanitary hot water for commercial applications. This unit utilizes the unique flash injection technology as applied in the City Multi Hyperheat air conditioning product range.

Built in Heat Exchange Hot Water Heat Pump CAHV-500YB-HPB: Comes complete with an internal 316 stainless steel brazed plate heat exchanger. This allows for easy installation of connecting water pipes to where the hot water is required.

Ecodan Heat Pump ensures an exceptionally high level of reliability by utilizing “Backup Function*”. If either of the compressors malfunctions, the other compressor keeps operating to avoid a complete stop of the system. “Rotation Function” is also available. When two or more units are in the system, the unit runs alternatively to ensure an optimum product life cycle for both of it’s component units.

- Inlet or outlet water temperature control
- Temperature set point control by 0-10 V, 4-20 mA, 0-5 V or 2-10 V
- Pump interlock
- Error input or error output
- Can be connected and controlled by AG200 centralized controller

TECHNICAL SPECIFICATIONS

CAHV-P500YB-HPB

Power Supply:.....3-phase 4-wire 380-400-415 V 50/60 Hz

CAPACITY

kW 45
 kcal/h 38,700
 BTU/h 153,540
 Power input | kW.....25.6
 Current input | A.....43.17 - 41.01 - 39.53
 COP (kW / kW) 1.76
 Maximum current input | A *57.8 - 54.9 - 52.9
 Water pressure drop 12.9kPa (1.87psi)

TEMPERATURE RANGE

Outlet water temperature25~70°C, 77~158°F
 Outdoor temperature | D.B-20~40°C, -4~104°F
 Circulating water volume range....7.5 m³/h-15.0m³/h

SOUND PRESSURE LEVEL (MEASURED IN ANECHOIC ROOM)

dB (A).....63

WATER PIPE DIAMETER AND TYPE

Inlet | mm (in.).....38.1 (Rc 1 1/2") screw pipe
 Outlet | mm (in.)38.1 (Rc 1 1/2") screw pipe
 External finish.....Acrylic painted steel sheet
 (" -BS" Additional Surface Treatment for Salt Protection) <Munsell 5Y 8/1 or similar>

EXTERNAL DIMENSIONS (HxWxD)

mm1710 (1650 not including legs) x 1978 x 759
 in.....67.3 (65.0 not including legs) x 77.9 x 29.9
 Net weight | kg (lb).....511 (1127)
 Accessories.....Y-strainer Rc 1 1/2

* All electrical work shall comply with National (NEC) and local codes and regulations.

*Should this document be altered or changed without MESCA's permission, it becomes null and void. MESCA assumes no responsibility for any consequences in such cases

Note: Mitsubishi Electric (MESCA) supports the use of only MESCA supplied and approved Snow Guard / Wind Deflectors / Windscreens and accessories for proper functioning of the unit(s).

Use of non-MESCA supported Snow Guard / Wind Deflectors / Windscreens and accessories will affect warranty coverage.

DESIGN PRESSURE

R407C | MPa.....3.85
Water | MPa..... 1.0

HEAT EXCHANGER

Water side.....Copper brazed stainless steel sheet
Air-sidePlate fins and copper tubes

COMPRESSOR

Type.....Inverter scroll hermetic compressor
ManufacturerMITSUBISHI ELECTRIC CORPORATION
Starting method.....Inverter
Motor output | kW7.5 x 2
Case heater | kW.....0.045 X 2
Lubricant.....MEL 32

FAN

Air flow rate | m³/min 185 x 2
Air flow rate | L/s..... 3,083 x 2
Air flow rate | cfm..... 6,532 x 2
External static pressure.....0 Pa, 60Pa (0 mm H2O, 6.1 mm H2O)
Type and quantity Propeller fan x 2
Motor output | kW0.46 x 2
HIC (Heat inter-changer) circuit.....Copper pipe

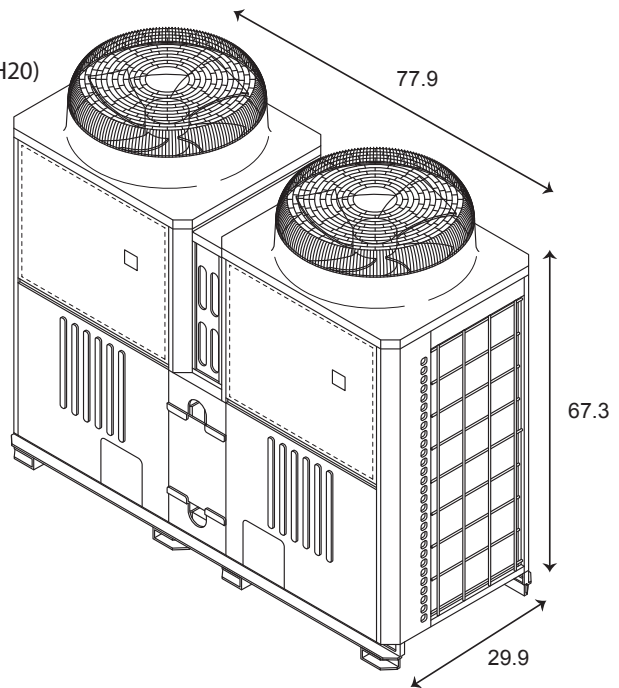
PROTECTION DEVICES

High pressure.....High-pressure sensor and switch set at 3.85 MPa (643 psi)
Inverter circuit.....Overheat and overcurrent protection
CompressorOverheat protection
Fan motorThermal switch
Defrosting methodAuto-defrost mode (Reversed refrigerant circle)

REFRIGERANT

Type and factory charge | kgR407C, 5.5 kg x 2
Flow and temperature control.....LEV and HIC circuit

Measurements/Dimensions (HxWxD)
67.3 (without legs 65.0) x 77.9 x 29.9



*Should this document be altered or changed without MESCA's permission, it becomes null and void. MESCA assumes no responsibility for any consequences in such cases.