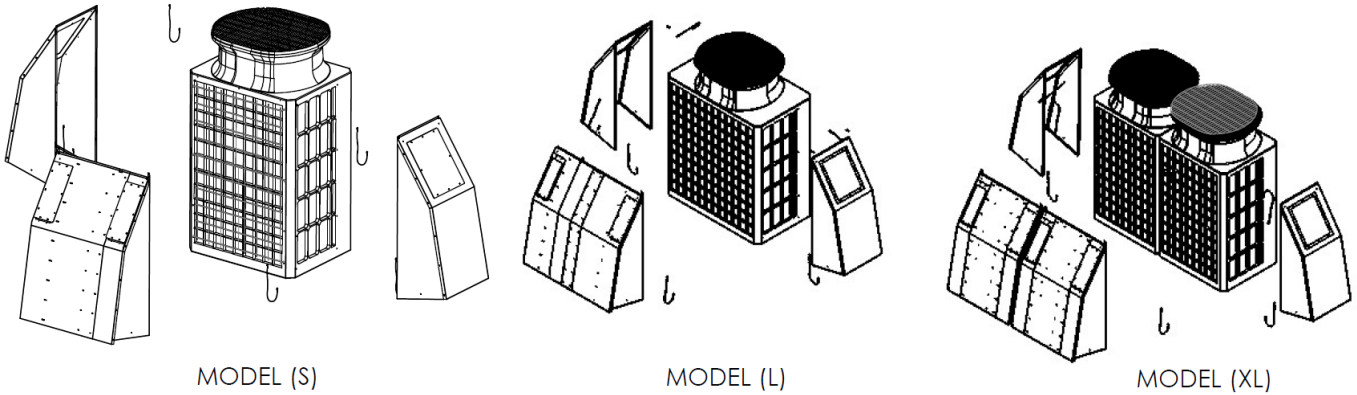


Job Name:

Schedule Reference:

Date:



NOTES:

- Outdoor unit must be mounted at least 18" off the ground or 12" above the highest average snow fall, whichever is greater.
- Clearances for the sides and back of the outdoor unit must be at least 17" more than standard installation guidelines.
- For best coil protection, two and three module units must be mounted with a minimum of 1-3/16" space between each.

SPECIFICATIONS

Model Number	Description	Ship Weight	Carton Dimensions
CM-SD-2-TKMU	Side Wind/Snow Guard (2 per box)	27 kg (59 lbs.)	21"W x 9.5"H x 52.5"L
CM-RE-2-TKMU	Rear Wind/Snow Guard (1 per box)	30 kg (55 lbs.)	27"W x 8.5"H x 50.5"L

COMPONENTS REQUIRED PER OUTDOOR UNIT

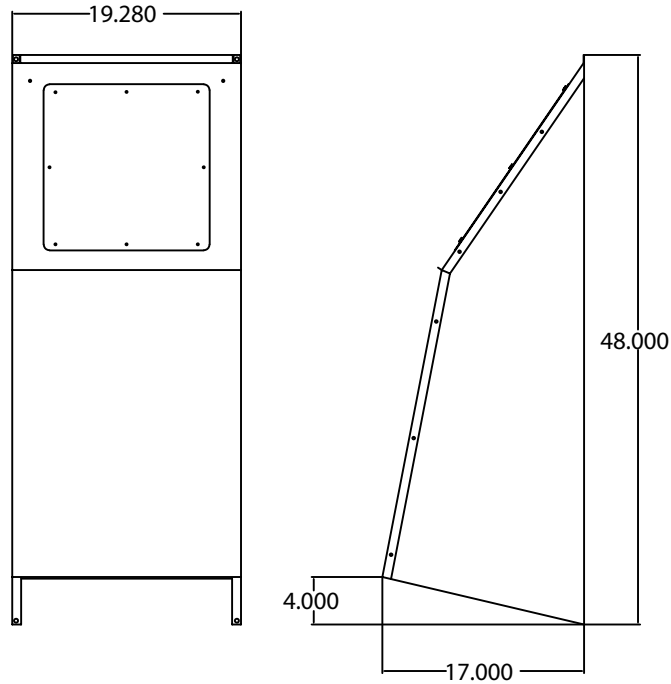
For models with two or three units, selections are based on a space of 1-3/16" between the modules. For additional space between the modules, additional components may be required.

Chart below provides a reference to the model sizes for ordering the necessary snow/wing guards for your units.

	P72	P72	P96	P120	P144	P168
	Small	Large	Large	X-Large		
PUHY-P-TLMU	x		x	x	x	x
PUHY-P-TKMU	x		x	x	x	
PUHY-P-ZKMU	x		x	x	x	
PURY-P-TLMU	x		x	x	x	x
PURY-P-ZKMU	x		x	x	x	
PURY-P-TKMU		x	x	x	x	
PUHY-HP-TKMU		x	x			

CM-SD-2-TKMU and CM-RE-2-TKMU – DIMENSIONS

CM-SD-2-TKMU



CM-RE-2-TKMU
(Universal fitting S, L, XL)

