

Wind Deflectors Accessories

Designed for PUMY and P-Series Model Unit



Job Name:

Schedule Reference:

Date:

GENERAL FEATURES

- Protects outdoor coil from wind for systems doing year round cooling and low ambient cooling operations only.
- 20-gauge satin coat steel, powder coated beige matching unit.

NOTES:

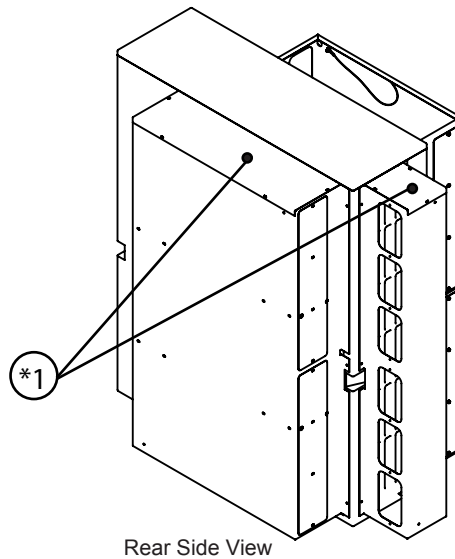
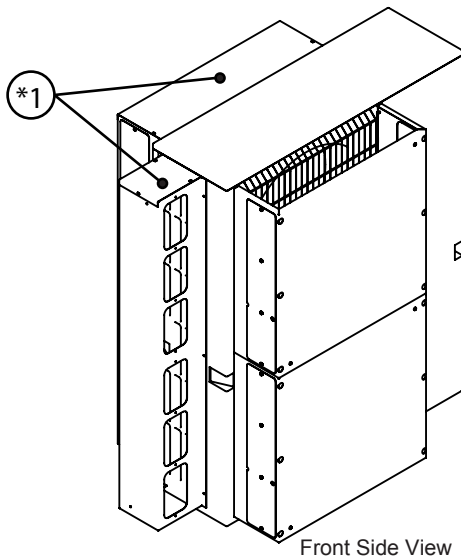
- Outdoor unit must be mounted at least 18" off the ground or 12" above the regional average snow fall, whichever is greater.
- Clearances for the sides and back of the outdoor unit must be at least 10" more than standard installation guidelines.
- PUMY installation (*1) full details provided below.

SPECIFICATIONS

Model Number	Description	Ship Weigh	Carton Dimensions (W x H x L)
CM-S-SET-NKMU	A + A + B+ C + D = "CM-S-SET-NKMU"	73 kg (161 lbs.)	
CM-S-FR-NKMU	Front Wind Deflector (1 per box) (A)	18 kg (39.7 lbs.)	27" x 9" x 27"
CM-S-RE-NKMU	Rear Wind Deflector (1per box) (B)	36 kg (79.4 lbs.)	31" x 9.0" x 52"
CM-S-SD-NKMU	Side Wind Deflector (1 per box) (C)	16 kg (35.3 lbs.)	9" x 9" x 52"
CM-S-BLK-NKMU	Blocker Deflectors (2x per box) (D)	3 kg (6.6 lbs.)	8" x 0.5" x 25"

Applicable City Multi Unit Model	
PUMY-P60NKMU-A (-BS)	<input type="checkbox"/>

Applicable P-Series Unit Model	
PUZ-HA42NKA	<input type="checkbox"/>



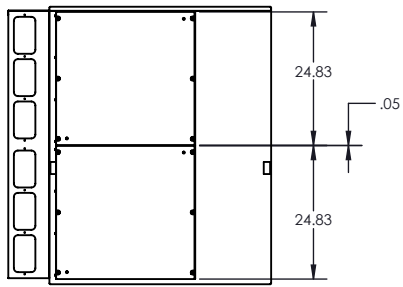
*1 - Do not install Rear and Side wind deflectors on PUMY units that do heating operation.
The full "Set" for PUMY is only allowed when designed for low ambient cooling operation only.

Notes:

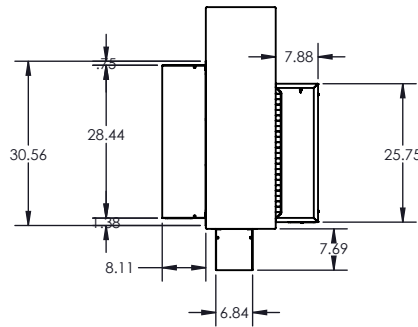
Specifications are subject to change without notice.



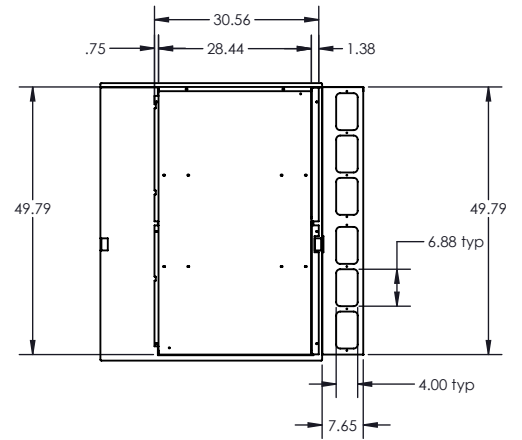
PUMY and P-Series – DIMENSIONS



Front view

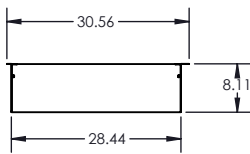


Top view

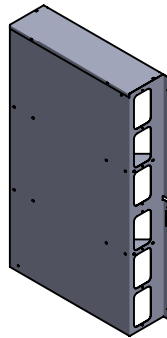


Rear view

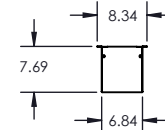
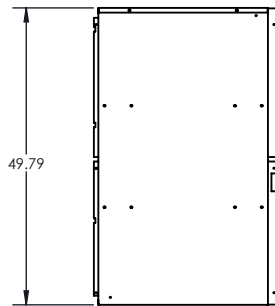
Units : inchs



B



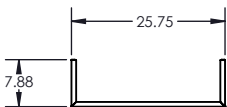
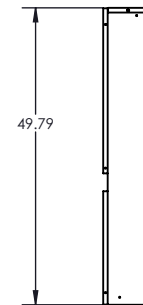
CM-S-RE-NKMU



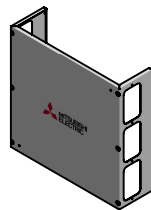
C



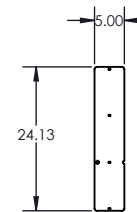
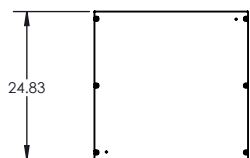
CM-S-SD-NKMU



A



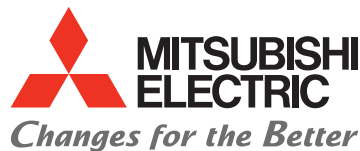
CM-S-FR-NKMU



D



CM-S-BLK-NKMU



for a greener tomorrow

