

Snow / Wind Guard Accessories

Designed for PUMY-P-NHMU, PUMY-P-NKMU and P-Series Model Units



Job Name:

Schedule Reference:

Date:

GENERAL FEATURES

- Protects outdoor coil from wind for systems doing year round cooling and low ambient cooling operations only.
- 20-gauge satin coat steel, powder coated beige matching unit.

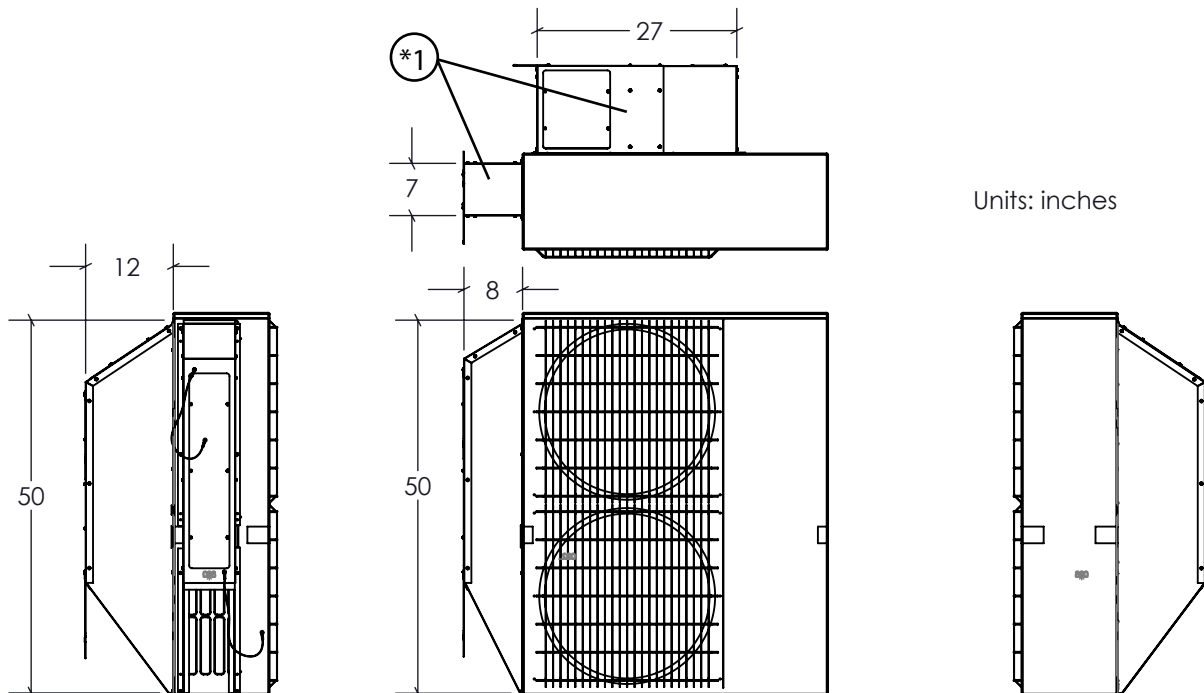
NOTES:

- Outdoor unit must be mounted at least 18" off the ground or 12" above the regional average snow fall, whichever is greater.
- Clearances for the sides and back of the outdoor unit must be at least 10" more than standard installation guidelines.
- PUMY installation (*1) full details provided below.

SPECIFICATIONS

Model Number	Description	Ship Weight	Applicable Condenser Model
SG-1-RE	Rear Snow Guard (1 per box) (A)	13.6 kg (30 lbs.)	PUMY-P36_48NHMU PUY/Z-A42
SG-1-SD	Side Snow Guard (1per box) (B)	13.6 kg (30 lbs.)	
WS-P48-FRONT	Front Wind Deflector (1 per box) (C)	5.9 kg (13 lbs.)	
WB-P48-FRONT	Front Wind Blocker (2 per box) (D)	4 kg (1.8 lbs.)	
SG-1-RE	Rear Snow Guard (1 per box) (A)	13.6 kg (30 lbs.)	PUMY-P36_48_60NKMU PUZ-HA42NKA PUZ-HA30_36NHA5 PUY/Z_A36_42NKA7
SG-1-SD	Side Snow Guard (1per box) (B)	13.6 kg (30 lbs.)	
CM-S-FR-NKMU	Front Wind Deflector (1 per box) (E)	8.2 kg (18 lbs.)	
CM-S-BLK-NKMU	Front Wind Blocker (2 per box) (F)	1.4 kg (3 lbs.)	

Note: Mitsubishi Electric (MESCA) supports the use of only MESCA supplied and approved Snow Guard / Wind Deflectors / Windscreens and accessories for proper functioning of the unit(s). Use of non-MESCA supported Snow Guard / Wind Deflectors / Windscreens and accessories will affect warranty coverage.



*1 - Do not install Rear and Side wind deflectors on PUMY units that do heating operation.
The full "Set" for PUMY is only allowed when designed for low ambient cooling operation only.

Notes:

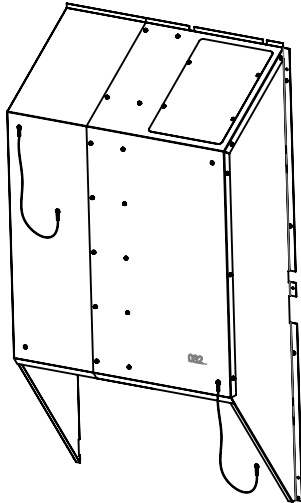
Specifications are subject to change without notice.

Should this document be altered or changed without MESCA's permission, it becomes null and void. MESCA assumes no responsibility for any consequences in such cases.

Snow / Wind Guard Accessories – DIMENSIONS

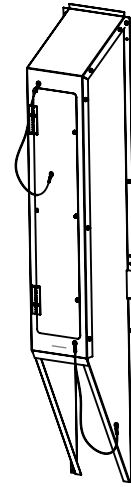
Units : inches

A



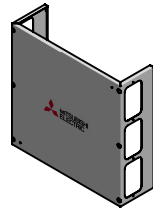
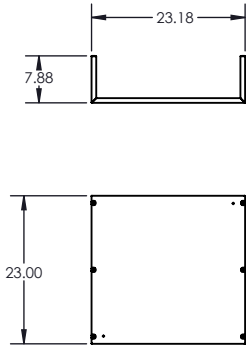
SG-1-RE

B



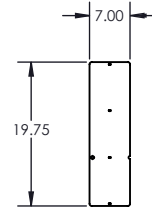
SG-1-SD

C



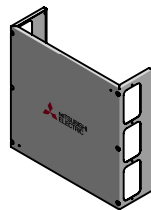
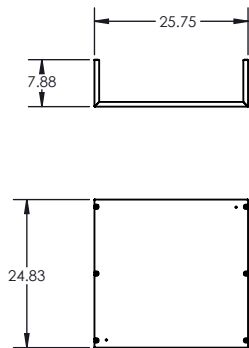
WS-P48-FRONT

D



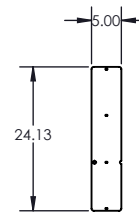
WB-P48-FRONT

E



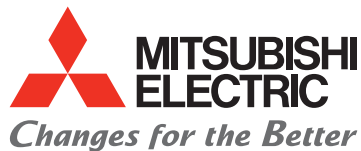
CM-S-FR-NKMU

F



CM-S-BLK-NKMU

Should this document be altered or changed without MESCA's permission, it becomes null and void. MESCA assumes no responsibility for any consequences in such cases.



for a greener tomorrow

