

Job Name:

Schedule Reference:

Date:

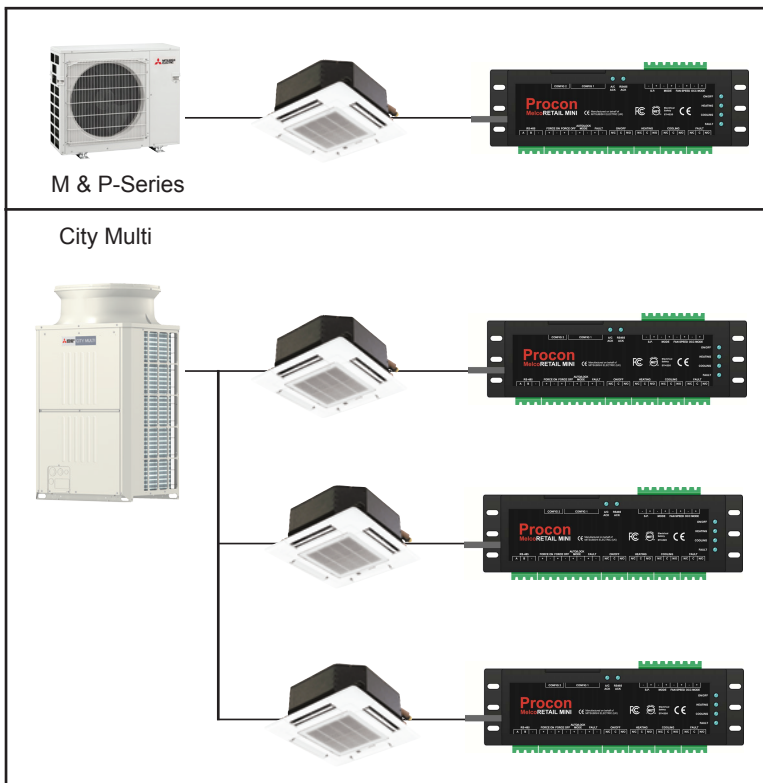
Procon MELCO-RETAIL-MINI



SPECIFICATIONS

- Allows for a third party building management system to control a Mitsubishi Electric Cooling & Heating CITY MULTI®, M-Series, or P-Series indoor unit.
- One MELCO-RETAIL-MINI per indoor unit
- Indoor Unit Connection: CN105 – IT Terminal
- 12VDC power from indoor unit CN105 Connector
- Compatible with MAC-333IF connector CN505 IT*
*requires additional 12VDC power supply
- Communication protocols supported:
 - MODBUS RTU (RS-485) with addressing 1-247
- LED light notification status of valid communication between:
 - RS 485 ACK - MODBUS RTV Communication with MODBUS master device
 - AC ACK - Communication with Indoor unit
- Approximate cable length is 39 in. (1000 mm)
- Dimensions: 6.77 x 3.15 x 0.86 in. (172 x 80 x 22 mm)

SYSTEM DIAGRAM



Digital Inputs	IO Interface	MELCO-RETAIL-MINI
ON/OFF	Dry Contact	X
LOCK	Dry Contact	Dry Contact - Auto/Lock
Energy Save	Dry Contact	X
External Fault	Dry Contact	Dry Contact
Force ON	X	Dry Contact
Force OFF	X	Dry Contact
Analogue Inputs		
Setpoint	Voltage Input	Voltage or Resistance
Mode	Voltage Input	Voltage or Resistance
Fan Speed	Voltage Input	Voltage or Resistance
OCCupancy Mode	X	Voltage or Resistance
Outputs		
Run On/Off	Relay Output	Dry Contact (N/C, C, N/O)
Faults	Relay Output	Dry Contact (N/C, C, N/O)
Thermo	Relay Output	X
Heat/Cool	Relay Output	X
Heat	X	Dry Contact (N/C, C, N/O)
Cool	X	Dry Contact (N/C, C, N/O)
LEDS		
Power	LED1	LED
Run	LED2	X
Fault	LED3	LED
Thermo	LED4	X
Active	LED5	X
Comms	LED6	X
Heating	X	LED
Cooling	X	LED
ModBus	X	YES
A/C Ack	X	LED
RS485 Ack	X	LED
Note : X indicates feature not available		
Dry Contact (N/C, C, N/O) - Relay Normally open / close		

Specifications are subject to change without notice.

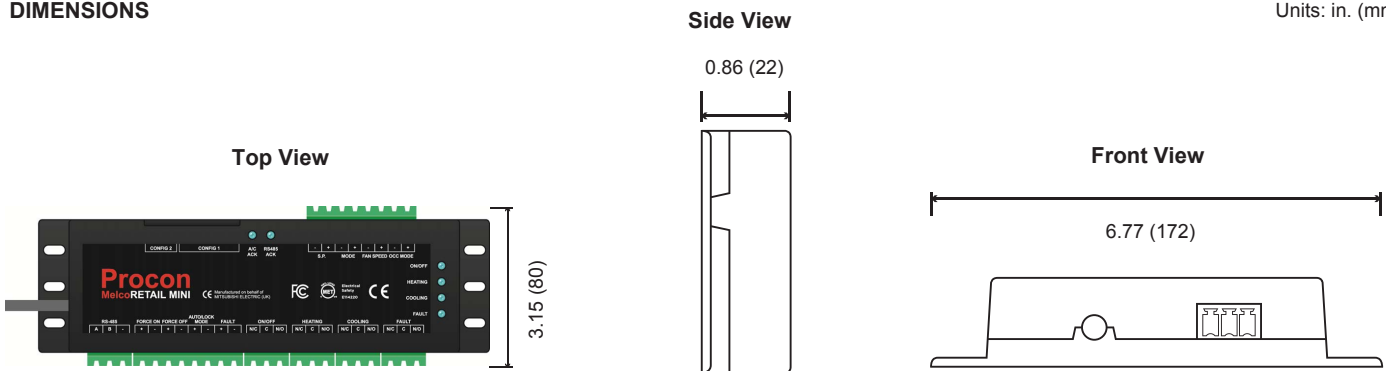
Model: MELCO-RETAIL-MINI

MODBUS POINTS TABLE - Please refer to manual for full MODBUS POINTS Table

Register Name	Modicon Address	Register Name	Modicon Address
Drive Mode	40001	Deadband Heating Setpoint	40019
Temperature Setpoint	40002	Deadband Cooling Setpoint	40020
Fan Speed	40003	Auto Mode Setpoint High Limit	40033
Air Direction	40004	Auto Mode Setpoint Low Limit	40034
Modbus Slave ID	40005	Cooling Mode Setpoint High Limit	40035
Modbus RS-485 Baud Rate	40006	Cooling Mode Setpoint Low Limit	40036
RS-485 Parity Type	40007	Heating Mode Setpoint High Limit	40037
Drive On/Off	40008	Heating Mode Setpoint Low Limit	40038
Room Temperature [READ ONLY]	40009	--- Occupancy Mode --- In Occupancy Cooling Setpoint	40039
Fault Code (hex) [READ ONLY]	40010	--- Occupancy Mode --- In Occupancy Heating Setpoint	40040
Firmware Version [READ ONLY]	40011	--- Occupancy Mode --- Staff In Cooling Setpoint	40041
Modbus Comms Counter [READ ONLY]	40012	--- Occupancy Mode --- Staff In Heating Setpoint	40042
Fault Code (decimal) [READ ONLY]	40013	--- Occupancy Mode --- Unoccupied Cooling Setpoint	40043
System Type Detected [READ ONLY]	40014	--- Occupancy Mode --- Unoccupied Heating Setpoint	40044
Deadband Enabled State [READ ONLY]	40015	Deadband Cooling Setpoint	40045
BMS Room Temperature (signed)	40016	Deadband Heating Setpoint	40046
BMS Room Temperature	40017	Auto Mode Timeout	40047
BMS Virtual Setpoint	40018		

DIMENSIONS

Units: in. (mm)



Notes:

