

## Submission Data: MSY-GS09NA-U1 & MUY-GS09NA-U1

9,000 BTU/H Wall-Mounted Air-Conditioning System

Job Name:	Location:
Purchaser:	Submitted By:
Submitted To:	Reference:                      Approval:                      Construction:
Engineer:	Date:                                      Application:



Images provided for reference purposes only

### Performance:

Cooling at 95°F <sup>1</sup>	Rated Capacity	Btu/h	9,000
	Capacity Range	Btu/h	3,600 - 12,200
	Rated Power Input	W	585
	Power Input Range	W	240 - 1,050
	Moisture Removal	pints/h	0.4

### Efficiency:

SEER2	28.40
EER2 <sup>1</sup>	15.40

### Outdoor Operating Temperature Range:

Cooling Operation Air Temp (Maximum / Minimum)* <b>(Comfort cooling only applications)</b>	°F (°C)	* 115 to 14 (46 to -10)
Cooling Operation Thermal Lock-out / Re-start Temperatures	°F (°C)	-4 / 0 (-20 / -18)

### Electrical:

Power Supply		208/230V, 1Ph, 60Hz
Voltage: Indoor - Outdoor, S1-S2	V AC	AC 208/230V
Voltage: Indoor - Outdoor, S2-S3	V DC	DC 12-24V
Short-circuit Current Rating (SCCR)	kA	5
Recommended Fuse/Breaker Size (Outdoor)	A	15
Recommended Wire Size (Indoor - Outdoor)	AWG	14

### Model No.                      Description: (Optional Accessories)

TBA	Front Windscreens

### Model No.                      Description: (Optional Controls)

MELCO-RETAIL-MINI	Building Automated System DDC Interface
PAR-40MAAU	Wired Wall Mounted Remote Control
PAR-CT01MAU-SB	Touch Screen Wired Wall Mounted Control
PAC-YT53CRAU-J	Basic Wired Wall Mounted Control
RMF-CA200	Deluxe Thermostat Interface
MAC-334IF-E	System Control Interface
MAC-497IF-E	PAR Control Interface
MHK2	Wireless Wall Mounted Control

**AHRI Rated Conditions (Rated data is determined at a fixed compressor speed) (\* Windscreens required for cooling operations below 23°F (-5°C))**

<sup>1</sup> Rating conditions (Cooling) — Indoor: 80°FDB, 67°FWB, Outdoor: 95°FDB, (75°FWB)

### Note:

1. Mitsubishi Electric Sales Canada Inc. (MESCA) supports the use of only MESCA supplied and approved components and accessories for proper functioning of the unit(s). Use of non - MESCA supported components and accessories will affect warranty coverage. MESCA recommends (A) consideration of all applicable design and application parameters and requirements specific to any project.
2. Should any person change this document in any manner whatsoever without MESCA's written permission, the document shall be of no force and effect and any change shall be deemed to be a representation and warranty made by that person and not MESCA. That person, and not MESCA, shall assume full responsibility for the consequences of such changes. MESCA assumes no responsibility for any consequences in such cases.

### Indoor Unit Specifications:

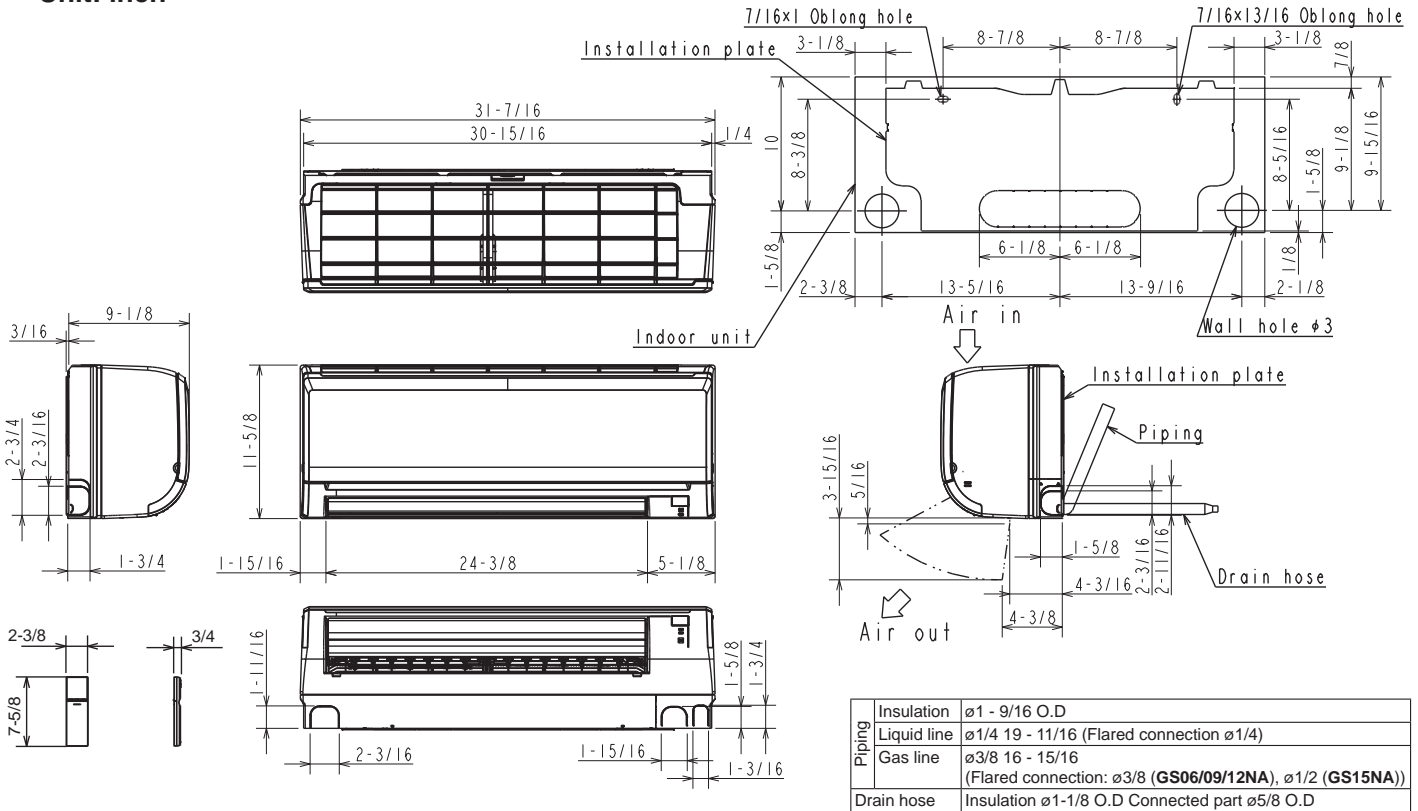
MCA	A	1.0
Blower Motor Full Load Amperage	A	0.75
Blower Motor Output	W	30
Airflow Rate at Cooling, Dry	CFM	134 - 160 - 222 - 307 - 381
Airflow Rate at Cooling, Wet	CFM	121 - 144 - 200 - 276 - 343
Sound Pressure Level (Cooling)	dB(A)	19 - 22 - 30 - 37 - 43
Drain Pipe Size	In. (mm)	5/8 (15.88)
External Finish Color		Munsell 1.0Y 9.2/0.2
Unit Dimensions	W: In. (mm)	31-7/16 (798)
	D: In. (mm)	9-1/8 (232)
	H: In. (mm)	11-5/8 (295)
Unit Weight	Lbs. (kg)	23 (10.4)

### Outdoor Unit Specifications:

MCA	A	10
MOCP	A	15
Fan Motor FLA	A	0.5
Airflow Rate (Cooling) (Low - Med. - High)	CFM	584 - 1,152 - 1,152
Sound Pressure Level, Cooling <sup>1</sup>	dB(A)	48
Refrigerant Control		Linear expansion valve
Compressor Oil Type / Charge	oz.	FV50S / 11.8
External Finish Color		Munsell 3Y 7.8/1.1
Unit Dimensions	Lbs. (kg)	79 (35.8)
	W: In. (mm)	31-1/2 (800)
	D: In. (mm)	11-1/4 (285)
	H: In. (mm)	21-5/8 (550)
Gas Pipe Size O.D. (Flared)	In. (mm)	3/8 (9.52)
Liquid Pipe Size O.D. (Flared)	In. (mm)	1/4 (6.35)
Maximum Piping Length	Ft. (m)	65 (20)
Maximum Height Difference	Ft. (m)	40 (12)

### Indoor Unit Outline and Dimensions:

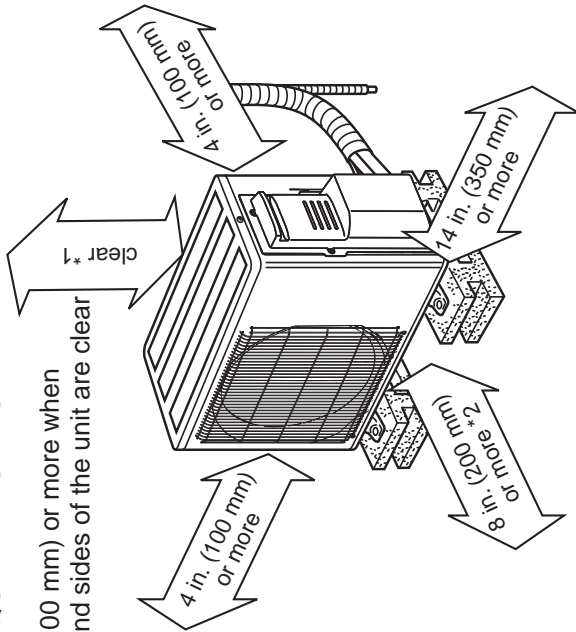
Unit: inch



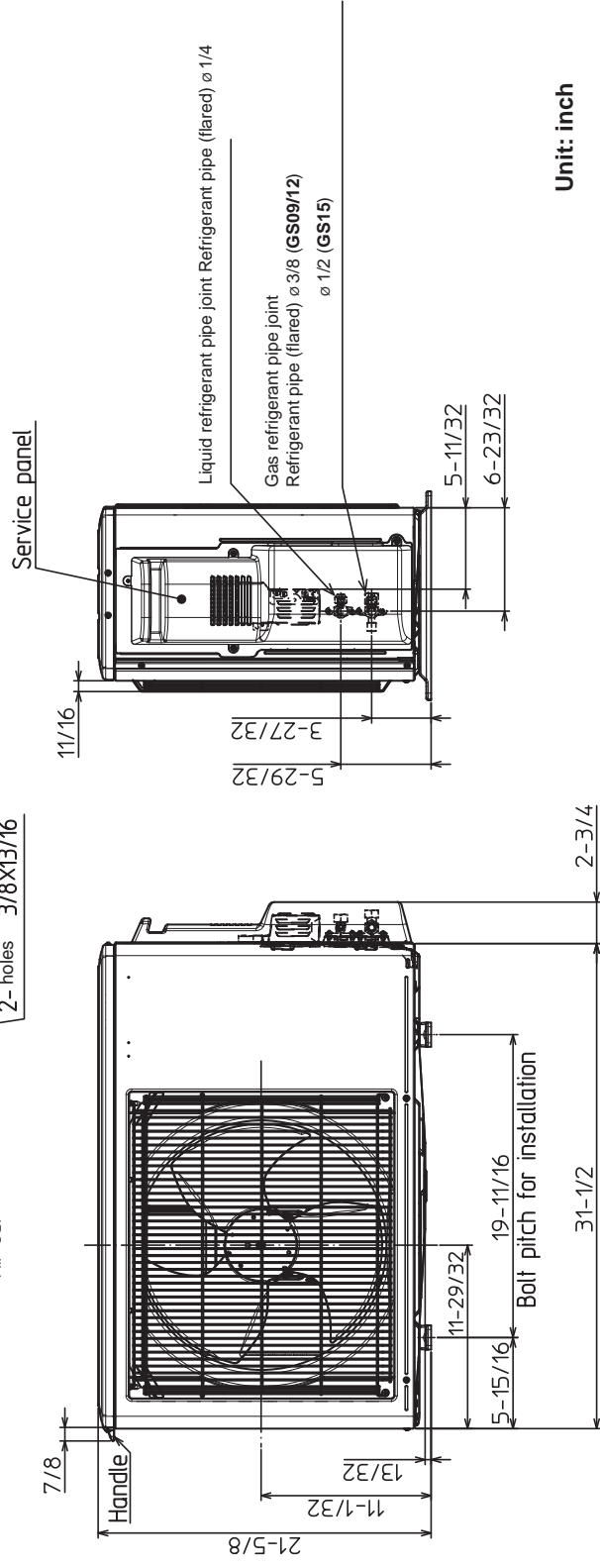
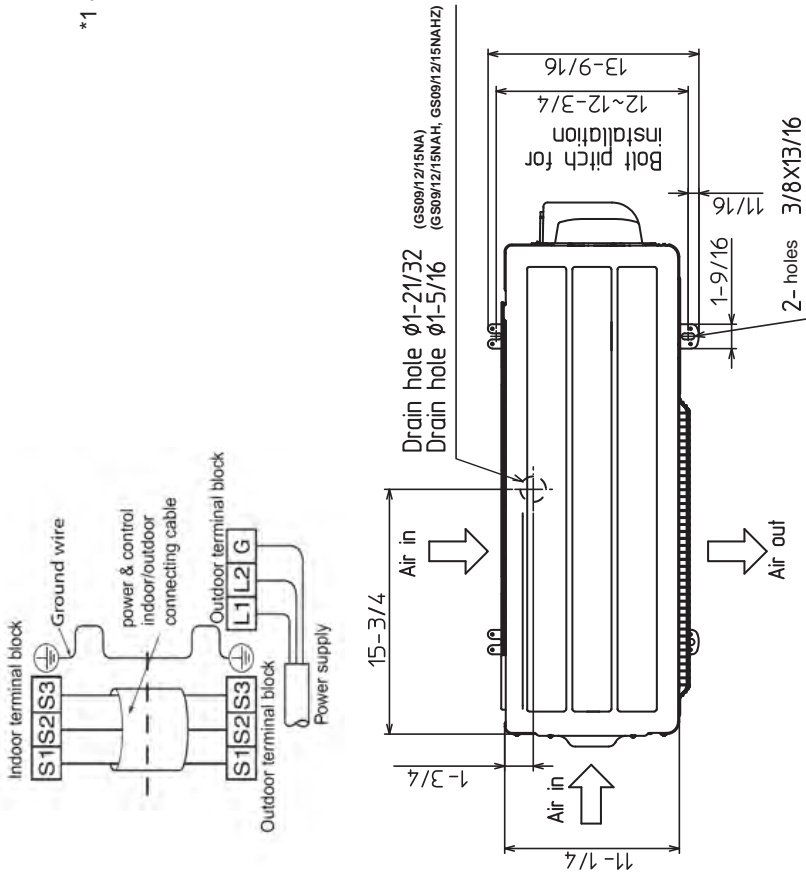
**Outdoor Unit Outline and Dimensions:**

**REQUIRED SPACE**

\*1 4 in. (100 mm) or more when front and sides of the unit are clear



\*2 When any 2 sides of left, right and rear of the unit are clear



Unit: inch

