

SUBMITTAL DATA: MSZ-FH09NA

9,000 BTU/H WALL-MOUNTED INDOOR UNIT FOR MXZ MULTI-ZONE HEAT PUMP SYSTEMS

Job Name:	Location:	Date:
Purchaser:	Engineer:	
Submitted to:	For <input type="checkbox"/> Reference <input type="checkbox"/> Approval <input type="checkbox"/> Construction	
System Designation:	Schedule No.:	


SPECIFICATIONS:
Rated Capacity*

Cooling ¹	Btu/h / W	9,000
Heating at 47° F ²	Btu/h / W	10,900

Rating Conditions per AHRI Standard:

¹ Cooling | Indoor: 80° F (27° C) DB / 67° F (19° C) WB; Outdoor: 95° F (35° C) DB / 75° F (24° C) WB

² Heating at 47° F | Indoor: 70° F (21° C) DB / 60° F (16° C) WB; Outdoor: 47° F (8° C) DB / 43° F (6° C) WB

For data on specific indoor units (all ducted, all non-ducted, and both ducted and non-ducted) combinations, see the MXZ Technical and Service Manual.

Applications should be restricted to comfort cooling only; equipment cooling applications are not recommended for low ambient temperature conditions.

Electrical Power Requirements	208 / 230V, 1-Phase, 60 Hz	
-------------------------------	----------------------------	--

Minimum Circuit Ampacity (MCA) *	A	1
----------------------------------	---	---

*** All electrical work shall comply with National (CEC) and local codes and regulations.**

Blower Motor (ECM)	F.L.A.	0.67
--------------------	--------	------

Blower Motor Output	W	-
---------------------	---	---

Moisture Removal	pt/h	0.6
------------------	------	-----

Field Drainpipe Size O.D.	In.(mm)	5/8 (15)
---------------------------	---------	----------

Airflow Rate (Quiet - Lo - Med - Hi - Super Hi)

Cooling	DRY	CFM	137-167-221-304-381
	WET		117-143-190-261-328
Heating	DRY		140-167-225-325-437

Sound Pressure Level (Quiet - Lo - Med - Hi - Super Hi)

Cooling	dB(A)	20-23-29-36-40
Heating		20-24-29-36-42

External Dimensions (H x W x D)	In.(mm)	12 (+ 11/16) x 36-7/16 x 9-3/16 305 (+ .687) x 926 x 233
---------------------------------	---------	---

Net Weight	Lbs.(kg)	29 (13.2)
------------	----------	-----------

External Finish	Munsell 1.0Y 9.2 / 0.2	
-----------------	------------------------	--

Refrigerant Piping (Flared)

Liquid (High Pressure)	In.(mm)	1/4 (6.35)
Gas (Low Pressure)		3/8 (9.52)

ACCESSORIES:
Indoor Unit

Auxiliary Heat signal on CN24 requires cable (MAC-1710RA-U)

Controls

Wireless Controller (MHK1)

Wired Remote Controller (PAR-33MAA)(Requires MAC-334IF-E)

Wired Simple Controller (PAR-YT53CRAU)(Requires MAC-334IF-E)

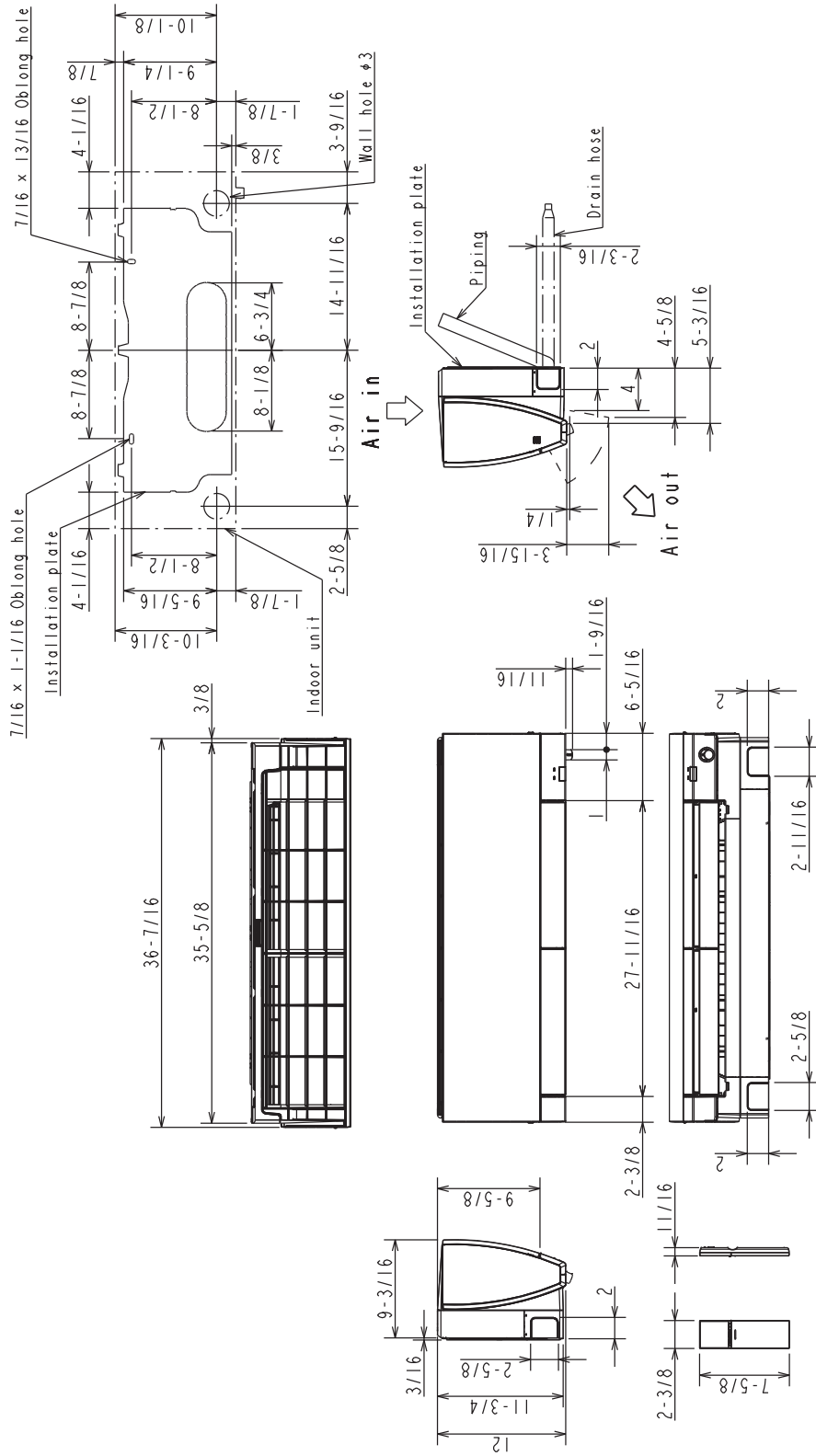
Thermostat Interface (PAC-US444CN-1)

Should this document be altered or changed without MESCA's permission, it becomes null and void. MESCA assumes no responsibility for any consequences in such cases.

Specifications are subject to change without notice.

DIMENSIONS: MSZ-FH09NA

Unit: inch



(MSZ-FH06/09/12NA)

Insulation	$\phi 1-7/16$ O.D
Liquid line	$\phi 1/4$ 19-11/16 (Flared connection $\phi 1/4$)
Gas line	$\phi 3/8$ 16-15/16 (Flared connection $\phi 3/8$)
Drain hose	Insulation $\phi 1-1/8$ Connected part $\phi 5/8$ O.D

(MSZ-FH15/18NA/18NA2)

Insulation	$\phi 1-7/16$ O.D
Liquid line	$\phi 1/4$ 19-11/16 (Flared connection $\phi 1/4$)
Gas line	$\phi 3/8$ 16-15/16 (Flared connection $\phi 1/2$)
Drain hose	Insulation $\phi 1-1/8$ Connected part $\phi 5/8$ O.D

Should this document be altered or changed without MESCA's permission, it becomes null and void. MESCA assumes no responsibility for any consequences in such cases.



Form # SB_MSZ-FH09NA_For_MXZ_SYS_201910
Specifications are subject to change without notice.
www.MitsubishiElectric.ca
© 2019 Mitsubishi Electric Sales Canada Inc.