

SUBMITTAL DATA: MSZ-FH12NA

12,000 BTU/H WALL-MOUNTED INDOOR UNIT FOR MXZ MULTI-ZONE HEAT PUMP

| | | |
|---------------------|--|-------|
| Job Name: | Location: | Date: |
| Purchaser: | Engineer: | |
| Submitted to: | For <input type="checkbox"/> Reference <input type="checkbox"/> Approval <input type="checkbox"/> Construction | |
| System Designation: | Schedule No.: | |


SPECIFICATIONS:

| Rated Capacity* | | |
|-------------------------------|-----------|--------|
| Cooling ¹ | Btu/h / W | 12,000 |
| Heating at 47° F ² | Btu/h / W | 13,600 |

Rating Conditions per AHRI Standard:

¹ Cooling | Indoor: 80° F(27° C)DB / 67° F(19° C)WB; Outdoor: 95° F(35° C)DB / 75° F(24° C)WB

² Heating at 47° F | Indoor: 70° F (21° C)DB / 60° F (16° C)WB; Outdoor: 47° F (8° C)DB / 43° F (6° C)WB

For data on specific indoor units (all ducted, all non-ducted, and both ducted and non-ducted) combinations, see the MXZ Technical and Service Manual.

Applications should be restricted to comfort cooling only; equipment cooling applications are not recommended for low ambient temperature conditions.

| | | |
|-------------------------------|----------------------------|--|
| Electrical Power Requirements | 208 / 230V, 1-Phase, 60 Hz | |
|-------------------------------|----------------------------|--|

| | | |
|----------------------------------|---|---|
| Minimum Circuit Ampacity (MCA) * | A | 1 |
|----------------------------------|---|---|

*** All electrical work shall comply with National (CEC) and local codes and regulations.**

| | | |
|--------------------|--------|------|
| Blower Motor (ECM) | F.L.A. | 0.67 |
|--------------------|--------|------|

| | | |
|---------------------|---|---|
| Blower Motor Output | W | - |
|---------------------|---|---|

| | | |
|------------------|------|-----|
| Moisture Removal | pt/h | 1.9 |
|------------------|------|-----|

| | | |
|---------------------------|---------|----------|
| Field Drainpipe Size O.D. | In.(mm) | 5/8 (15) |
|---------------------------|---------|----------|

Airflow Rate (Quiet - Lo - Med - Hi - Super Hi)

| Cooling | DRY | CFM | 137-167-221-304-398 |
|---------|-----|-----|---------------------|
| | WET | | 117-143-190-261-342 |
| Heating | DRY | | 140-167-225-325-454 |

Sound Pressure Level (Quiet - Lo - Med - Hi - Super Hi)

| Cooling | dB(A) | 21-24-29-36-41 |
|---------|-------|----------------|
| | | Heating |

| | | |
|---------------------------------|---------|---|
| External Dimensions (H x W x D) | In.(mm) | 12 (+ 11/16) x 36-7/16 x 9-3/16 305 (+ .687) x 926 x 233 |
|---------------------------------|---------|---|

| | | |
|------------|----------|-----------|
| Net Weight | Lbs.(kg) | 29 (13.2) |
|------------|----------|-----------|

| | |
|-----------------|------------------------|
| External Finish | Munsell 1.0Y 9.2 / 0.2 |
|-----------------|------------------------|

Refrigerant Piping (Flared)

| | | |
|------------------------|---------|------------|
| Liquid (High Pressure) | In.(mm) | 1/4 (6.35) |
| Gas (Low Pressure) | | 3/8 (9.52) |

ACCESSORIES:
Indoor Unit

Auxiliary Heat signal on CN24 requires cable (MAC-1710RA-U)

Controls

Wireless Controller (MHK1)

Wired Remote Controller (PAR-33MAA)(Requires MAC-334IF-E)

Wired Simple Controller (PAR-YT53CRAU)(Requires MAC-334IF-E)

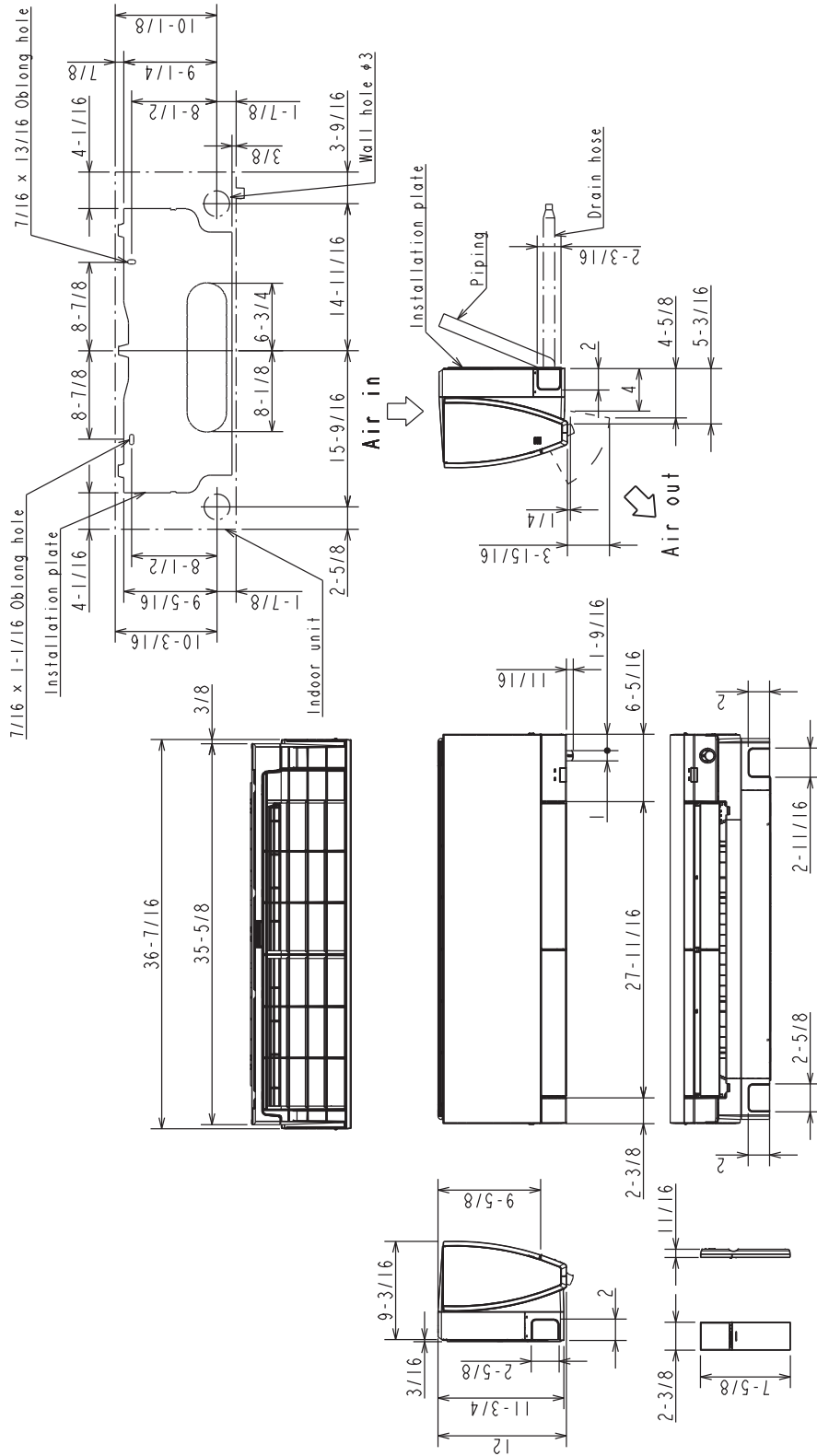
Thermostat Interface (PAC-US444CN-1)

Should this document be altered or changed without MESCA's permission, it becomes null and void. MESCA assumes no responsibility for any consequences in such cases.

Specifications are subject to change without notice.

DIMENSIONS: MSZ-FH12NA

Unit: inch



(MSZ-FH06/09/12NA)

| | |
|-------------|---|
| Insulation | $\phi 1-7/16$ O.D |
| Liquid line | $\phi 1/4$ 19-11/16 (Flared connection $\phi 1/4$) |
| Gas line | $\phi 3/8$ 16-15/16 (Flared connection $\phi 3/8$) |
| Drain hose | Insulation $\phi 1-1/8$ Connected part $\phi 5/8$ O.D |

(MSZ-FH15/18NA/18NA2)

| | |
|-------------|---|
| Insulation | $\phi 1-7/16$ O.D |
| Liquid line | $\phi 1/4$ 19-11/16 (Flared connection $\phi 1/4$) |
| Gas line | $\phi 3/8$ 16-15/16 (Flared connection $\phi 1/2$) |
| Drain hose | Insulation $\phi 1-1/8$ Connected part $\phi 5/8$ O.D |

Should this document be altered or changed without MESCA's permission, it becomes null and void. MESCA assumes no responsibility for any consequences in such cases.



Form # SB_MSZ-FH12NA_For_MXZ_SYS_201910
Specifications are subject to change without notice.
www.MitsubishiElectric.ca
© 2019 Mitsubishi Electric Sales Canada Inc.