

## SUBMITTAL DATA: MSZ-FH15NA

15,000 BTU/H WALL-MOUNTED INDOOR UNIT FOR MXZ MULTI-ZONE HEAT PUMP

Job Name:	Location:	Date:
Purchaser:	Engineer:	
Submitted to:	For <input type="checkbox"/> Reference <input type="checkbox"/> Approval <input type="checkbox"/> Construction	
System Designation:	Schedule No.:	


**SPECIFICATIONS:**

Rated Capacity*		
Cooling <sup>1</sup>	Btu/h / W	15,000
Heating at 47° F <sup>2</sup>	Btu/h / W	18,000

Rating Conditions per AHRI Standard:

<sup>1</sup> Cooling | Indoor: 80° F(27° C)DB / 67° F(19° C)WB; Outdoor: 95° F(35° C)DB / 75° F(24° C)WB

<sup>2</sup> Heating at 47° F | Indoor: 70° F (21° C)DB / 60° F (16° C)WB; Outdoor: 47° F (8° C)DB / 43° F (6° C)WB

For data on specific indoor units (all ducted, all non-ducted, and both ducted and non-ducted) combinations, see the MXZ Technical and Service Manual.

Applications should be restricted to comfort cooling only; equipment cooling applications are not recommended for low ambient temperature conditions.

Electrical Power Requirements	208 / 230V, 1-Phase, 60 Hz	
-------------------------------	----------------------------	--

Minimum Circuit Ampacity (MCA) *	A	1
----------------------------------	---	---

\* All electrical work shall comply with National (CEC) and local codes and regulations.

Blower Motor (ECM)	F.L.A.	0.67
--------------------	--------	------

Blower Motor Output	W	-
---------------------	---	---

Moisture Removal	pt/h	4.0
------------------	------	-----

Field Drainpipe Size O.D.	In.(mm)	5/8 (15)
---------------------------	---------	----------

Airflow Rate (Quiet - Lo - Med - Hi - Super Hi)			
Cooling	DRY	CFM	225-262-304-355-411
	WET		194-225-261-305-354
Heating	DRY		201-254-317-394-497

Sound Pressure Level (Quiet - Lo - Med - Hi - Super Hi)		
Cooling	dB(A)	27-31-35-39-44
Heating		25-29-34-39-46

External Dimensions (H x W x D)	In.(mm)	12 (+ 11/16) x 36-7/16 x 9-3/16 305 (+ .687) x 926 x 233
---------------------------------	---------	---

Net Weight	Lbs.(kg)	29 (13.2)
------------	----------	-----------

External Finish	Munsell 1.0Y 9.2 / 0.2	
-----------------	------------------------	--

Refrigerant Piping (Flared)		
Liquid (High Pressure)	In.(mm)	1/4 (6.35)
Gas (Low Pressure)		1/2 (12.7)

**ACCESSORIES:**
**Indoor Unit**

Auxiliary Heat signal on CN24 requires cable (MAC-1710RA-U)

**Controls**

Wireless Controller (MHK1)

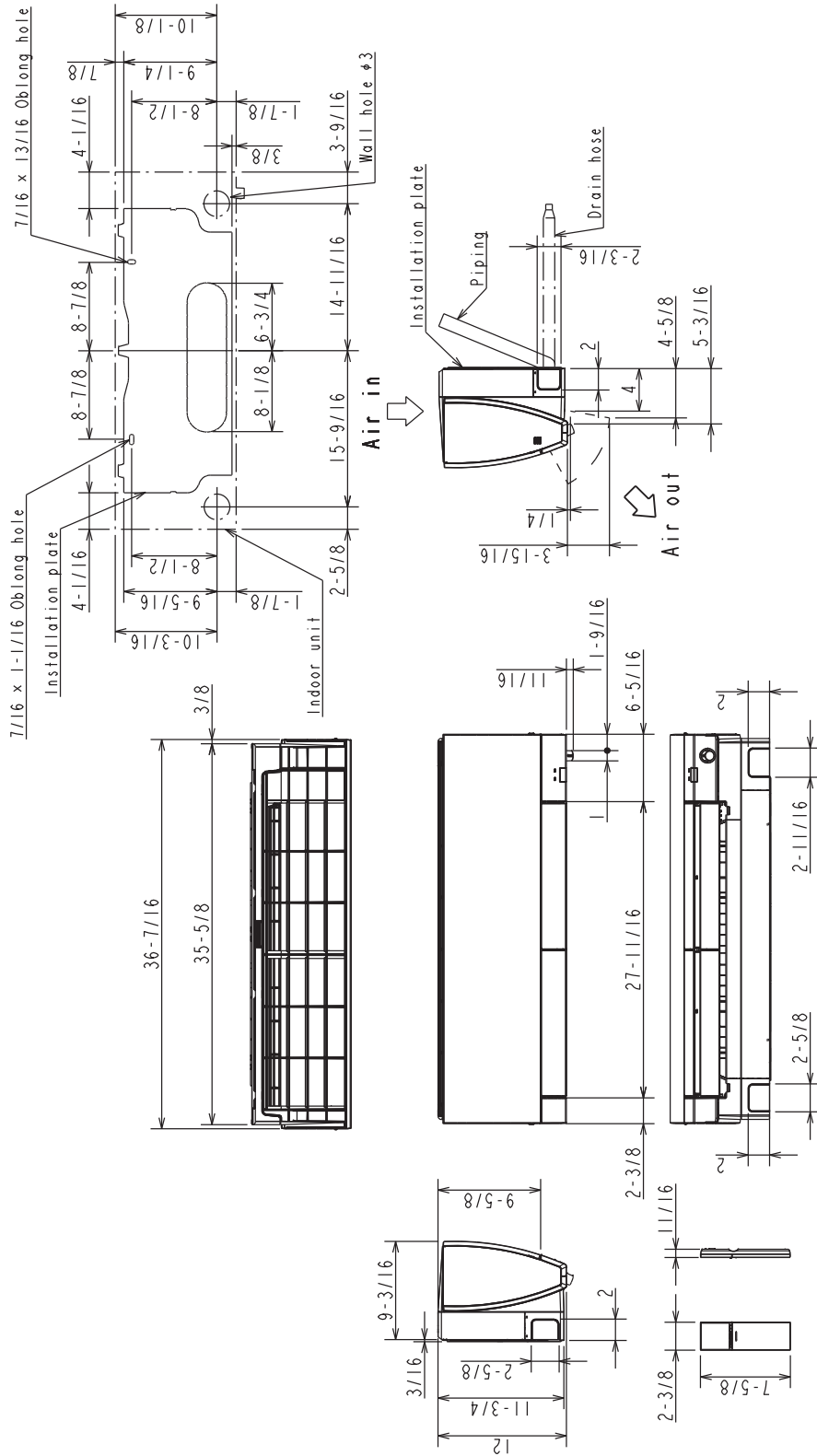
Wired Remote Controller (PAR-33MAA)(Requires MAC-334IF-E)

Wired Simple Controller (PAR-YT53CRAU)(Requires MAC-334IF-E)

Thermostat Interface (PAC-US444CN-1)

# DIMENSIONS: MSZ-FH15NA

Unit: inch



**(MSZ-FH06/09/12NA)**

Insulation	φ1-7/16 O.D
Liquid line	φ1/4 19-11/16 (Flared connection φ1/4)
Gas line	φ3/8 16-15/16 (Flared connection φ3/8)
Drain hose	Insulation φ1-1/8 Connected part φ5/8 O.D

**(MSZ-FH15/18NA/18NA2)**

Insulation	φ1-7/16 O.D
Liquid line	φ1/4 19-11/16 (Flared connection φ1/4)
Gas line	φ3/8 16-15/16 (Flared connection φ1/2)
Drain hose	Insulation φ1-1/8 Connected part φ5/8 O.D

Should this document be altered or changed without MESCA's permission, it becomes null and void. MESCA assumes no responsibility for any consequences in such cases.



Form # SB\_MSZ-FH15NA\_For\_MXZ\_SYS\_201910  
Specifications are subject to change without notice.  
www.MitsubishiElectric.ca  
© 2019 Mitsubishi Electric Sales Canada Inc.