

## SUBMITTAL DATA: MSZ-FH18NA

18,000 BTU/H WALL-MOUNTED INDOOR UNIT FOR MXZ MULTI-ZONE HEAT PUMP

Job Name:	Location:	Date:
Purchaser:	Engineer:	
Submitted to:	For <input type="checkbox"/> Reference <input type="checkbox"/> Approval <input type="checkbox"/> Construction	
System Designation:	Schedule No.:	


**SPECIFICATIONS:**

Rated Capacity*		
Cooling <sup>1</sup>	Btu/h / W	17,200
Heating at 47° F <sup>2</sup>	Btu/h / W	20,300

Rating Conditions per AHRI Standard:

<sup>1</sup> Cooling | Indoor: 80° F (27° C)DB / 67° F (19° C)WB; Outdoor: 95° F (35° C)DB / 75° F (24° C)WB

<sup>2</sup> Heating at 47° F | Indoor: 70° F (21° C)DB / 60° F (16° C)WB; Outdoor: 47° F (8° C)DB / 43° F (6° C)WB

For data on specific indoor units (all ducted, all non-ducted, and both ducted and non-ducted) combinations, see the MXZ Technical and Service Manual.

Applications should be restricted to comfort cooling only; equipment cooling applications are not recommended for low ambient temperature conditions.

Electrical Power Requirements	208 / 230V, 1-Phase, 60 Hz	
-------------------------------	----------------------------	--

Minimum Circuit Ampacity (MCA) *	A	1
----------------------------------	---	---

**\* All electrical work shall comply with National (CEC) and local codes and regulations.**

Blower Motor (ECM)	F.L.A.	0.67
--------------------	--------	------

Blower Motor Output	W	-
---------------------	---	---

Moisture Removal	pt/h	4.8
------------------	------	-----

Field Drainpipe Size O.D.	In.(mm)	5/8 (15)
---------------------------	---------	----------

Airflow Rate (Quiet - Lo - Med - Hi - Super Hi)			
Cooling	DRY	CFM	225-262-304-355-459
	WET		194-225-261-305-395
Heating	DRY		201-254-317-394-514

Sound Pressure Level (Quiet - Lo - Med - Hi - Super Hi)		
Cooling	dB(A)	27-31-35-39-47
Heating		25-29-34-39-46

External Dimensions (H x W x D)	In.(mm)	12 (+ 11/16) x 36-7/16 x 9-3/16 305 (+ .687) x 926 x 233
---------------------------------	---------	---

Net Weight	Lbs.(kg)	29 (13.2)
------------	----------	-----------

External Finish	Munsell 1.0Y 9.2 / 0.2	
-----------------	------------------------	--

Refrigerant Piping (Flared)		
Liquid (High Pressure)	In.(mm)	1/4 (6.35)
Gas (Low Pressure)		1/2 (12.7)

**ACCESSORIES:**
**Indoor Unit**

Auxiliary Heat signal on CN24 requires cable (MAC-1710RA-U)

**Controls**

Wireless Controller (MHK1)

Wired Remote Controller (PAR-33MAA)(Requires MAC-334IF-E)

Wired Simple Controller (PAR-YT53CRAU)(Requires MAC-334IF-E)

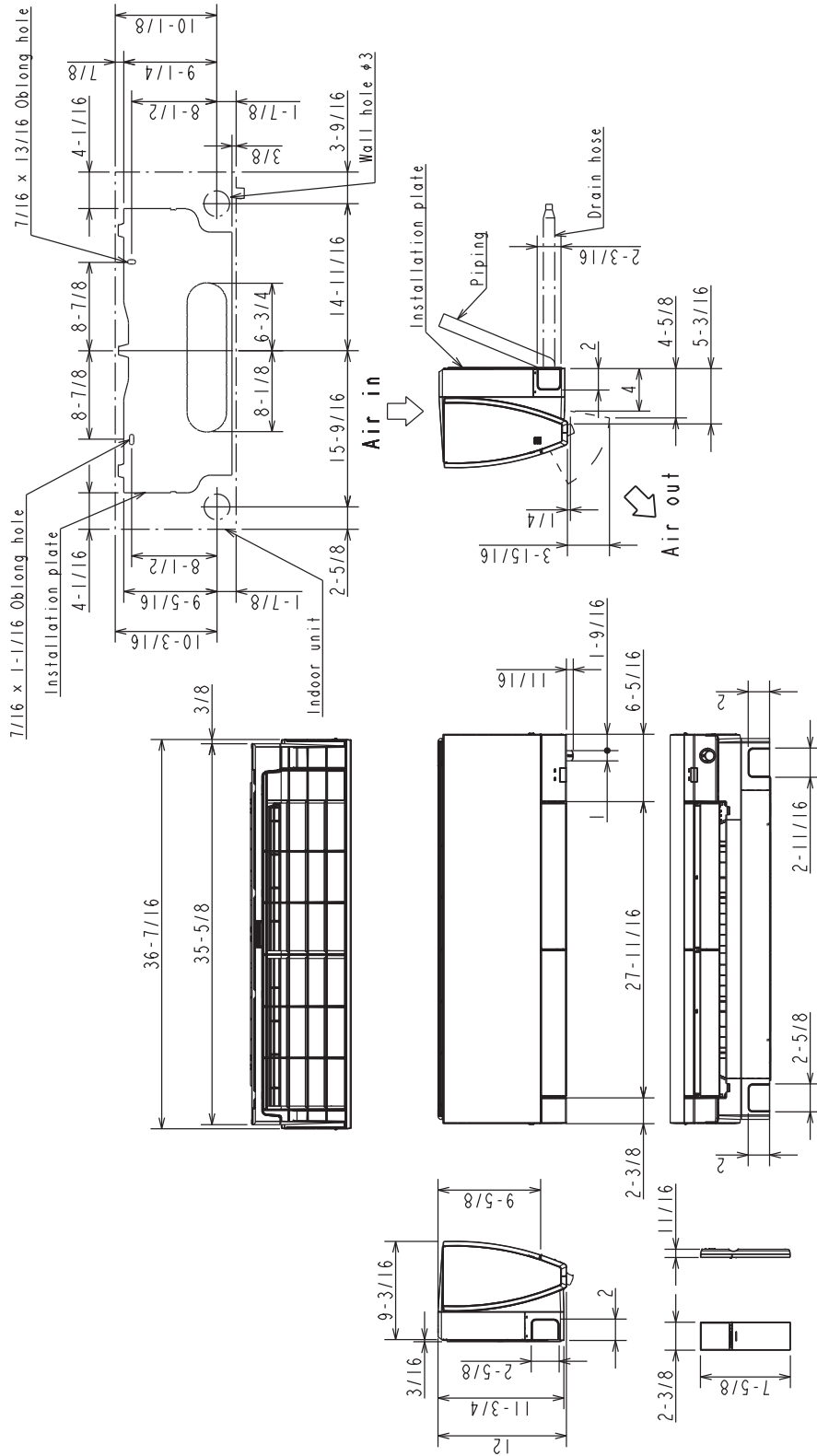
Thermostat Interface (PAC-US444CN-1)

Should this document be altered or changed without MESCA's permission, it becomes null and void. MESCA assumes no responsibility for any consequences in such cases.

Specifications are subject to change without notice.

# DIMENSIONS: MSZ-FH18NA

Unit: inch



### (MSZ-FH06/09/12NA)

Insulation	φ1-7/16 O.D
Liquid line	φ1/4 19-11/16 (Flared connection φ1/4)
Gas line	φ3/8 16-15/16 (Flared connection φ3/8)
Drain hose	Insulation φ1-1/8 Connected part φ5/8 O.D

### (MSZ-FH15/18NA/18NA2)

Insulation	φ1-7/16 O.D
Liquid line	φ1/4 19-11/16 (Flared connection φ1/4)
Gas line	φ3/8 16-15/16 (Flared connection φ1/2)
Drain hose	Insulation φ1-1/8 Connected part φ5/8 O.D

Should this document be altered or changed without MESCA's permission, it becomes null and void. MESCA assumes no responsibility for any consequences in such cases.



Form # SB\_MSZ-FH18NA\_For\_MXZ\_SYS\_201910  
Specifications are subject to change without notice.  
www.MitsubishiElectric.ca  
© 2019 Mitsubishi Electric Sales Canada Inc.