

## Submission Data: MSZ-FS06NA-U1 & MUZ-FS06NAH-U1

**6,000 BTU/H Wall-Mounted Cold Climate Heat Pump System**

Job Name:	Location:
Purchaser:	Submitted By:
Submitted To:	Reference:                      Approval:                      Construction:
Engineer:	Date:                                      Application:



- H2I PLUS - 100% Heat Capacity @ -20°C
- Blue Fin Anti-corrosion Treatment
- Wireless Handheld Remote Control
- 3D i-See Sensor
- Dual Barrier Coating
- Double Vanes
- Triple Filter System
- CN24 Auxiliary Heat Control
- Base Pan Heater

Images provided for reference purposes only

### Performance:

	Rated Capacity	Btu/h	6,000
Cooling at 95°F <sup>1</sup>	Capacity Range	Btu/h	1,700 - 9,000
	Rated Power Input	W	315
	Power Input Range	W	100 - 560
	Moisture Removal	pints/h	0.2
	Sensible Heat Factor		0.96
Heating at 47°F <sup>2</sup>	Rated Capacity	Btu/h	8,700
	Capacity Range	Btu/h	1,600 - 14,000
	Rated Power Input	W	545
	Power Input Range	W	110 - 1,270
Heating at 17°F <sup>3</sup>	Maximum Capacity	Btu/h	12,700
	Rated Capacity	Btu/h	5,400
	Capacity Range	Btu/h	1,210 - 12,700
	Maximum Power Input	W	1,000
	Rated Power Input	W	390
Heating at 5°F <sup>4</sup>	Power Input Range	W	260 - 1,530
	Maximum Capacity	Btu/h	10,500
	Maximum Power Input	W	1,380
Heating at -13°F <sup>5</sup>	Maximum Capacity	Btu/h	7,250
	Maximum Power Input	W	1,230

### Efficiency:

SEER / SEER2		33.1 / 32.2
EER <sup>1</sup> / EER2 <sup>1</sup>		19.1 / 19.05
HSPF / HSPF2 (IV)		12.5 / 10.9
COP at 47°F <sup>2</sup>	Rated Capacity	4.68
COP at 17°F <sup>3</sup>	Maximum Capacity	3.72
COP at 5°F <sup>4</sup> / -13°F	Maximum Capacity	2.23 / 1.73

### Outdoor Operating Temperature Range:

Cooling Operation Air Temp (Maximum / Minimum)* (Comfort cooling only applications)	°F (°C)	* 115 to 14 (46 to -10)
Cooling Operation Thermal Lock-out / Re-start Temperatures	°F (°C)	-4 / 0 (-20 / -18)
Heating Operation Air Temp (Maximum / Minimum)	°F (°C)	75 to -13 (24 to -25)
Heating Operation Thermal Lock-out / Re-start Temperatures	°F (°C)	-18 / -14 (-28 / -26)

**AHRI Rated Conditions (Rated data is determined at a fixed compressor speed) (\* Windscreens required for cooling operations below 23°F (-5°C))**

- <sup>1</sup>Cooling (Indoor // Outdoor) 80°F (26.6°C) DB, 67°F (19.4°C) WB // 95°F (35°C) DB, 75°F (23.9°C) WB
- <sup>2</sup>Heating at 47°F (8.3°C) (Indoor // Outdoor) 70°F (21.1°C) DB, 60°F (15.6°C) WB // 47°F (8.3°C) DB, 43°F (6.1°C) WB
- <sup>3</sup>Heating at 17°F (-8.3°C) (Indoor // Outdoor) 70°F (21.1°C) DB, 60°F (15.6°C) WB // 17°F (-8.3°C) DB, 15°F (-9.4°C) WB
- Rated conditions:
- <sup>4</sup>Heating at 5°F (-15°C) (Indoor // Outdoor) 70°F (21.1°C) DB, 60°F (15.6°C) WB // 5°F (-15°C) DB, 4°F (-15.6°C) WB
- <sup>5</sup>Heating at -13°F (25°C) (Indoor // Outdoor) 70°F (21.1°C) DB, 60°F (15.6°C) WB // -13°F (-25°C) DB, -15°F (-26.1°C) WB

**Note:**

1. Mitsubishi Electric Sales Canada Inc. (MESCA) supports the use of only MESCA supplied and approved components and accessories for proper functioning of the unit(s). Use of non - MESCA supported components and accessories will affect warranty coverage. MESCA recommends (A) consideration of all applicable design and application parameters and requirements specific to any project.
2. Should any person change this document in any manner whatsoever without MESCA's written permission, the document shall be of no force and effect and any change shall be deemed to be a representation and warranty made by that person and not MESCA. That person, and not MESCA, shall assume full responsibility for the consequences of such changes. MESCA assumes no responsibility for any consequences in such cases.

## Submittal Data: MSZ-FS06NA-U1 & MUZ-FS06NAH-U1

**Electrical:**

Power Supply		208/230V, 1Ph, 60Hz
Voltage: Indoor - Outdoor, S1-S2	V AC	AC 208/230V
Voltage: Indoor - Outdoor, S2-S3	V DC	DC 12-24V
Short-circuit Current Rating (SCCR)	kA	5
Recommended Fuse/Breaker Size (Outdoor)	A	15
Recommended Wire Size (Indoor - Outdoor)	AWG	14

**Indoor Unit Specifications:**

MCA	A	1.00
Blower Motor Full Load Amperage	A	0.65
Blower Motor Output	W	40
Airflow Rate at Cooling, Dry	CFM	137 -167 - 221 - 304 - 381
Airflow Rate at Cooling, Wet	CFM	117 - 143 - 190 - 261 - 328
Airflow Rate at Heating, Dry	CFM	140 - 167 - 225 - 381 - 437
Sound Pressure Level (Cooling)	dB(A)	20 - 23 - 29 - 36 - 40
Sound Pressure Level (Heating)	dB(A)	20 - 24 - 29 - 39 - 42
Drain Pipe Size	In. (mm)	5/8 (15.88)
External Finish Color		White (Munsell 1.0Y 9.2/0.2)
Unit Dimensions	W: In. (mm)	36-7/16 (925)
	D: In. (mm)	9-3/16 (234)
	H: In. (mm)	12(+11/16) (305(+17))
Unit Weight	Lbs. (kg)	29 (13.5)

**Outdoor Unit Specifications:**

MCA	A	10
MOCP	A	15
Fan Motor Output	W	55
Airflow Rate (Cooling/Heating)	CFM	1,141 / 1,183
Sound Pressure Level, Cooling1	dB(A)	47
Sound Pressure Level, Heating2	dB(A)	49
Refrigerant Control		LEV
Compressor Oil Type / Charge	oz.	FV50S / 0.35
External Finish Color		Munsell 3Y 7.8/1.1
Unit Weight	Lbs. (kg)	83 (37.5)
Unit Dimensions	W: In. (mm)	31-1/2 (800)
	D: In. (mm)	11-1/4 (285)
	H: In. (mm)	21-5/8 (550)
Gas Pipe Size O.D. (Flared)	In. (mm)	3/8 (9.52)
Liquid Pipe Size O.D. (Flared)	In. (mm)	1/4 (6.35)
Maximum Piping Length	Ft. (m)	65 (20)
Maximum Height Difference	Ft. (m)	40 (12)

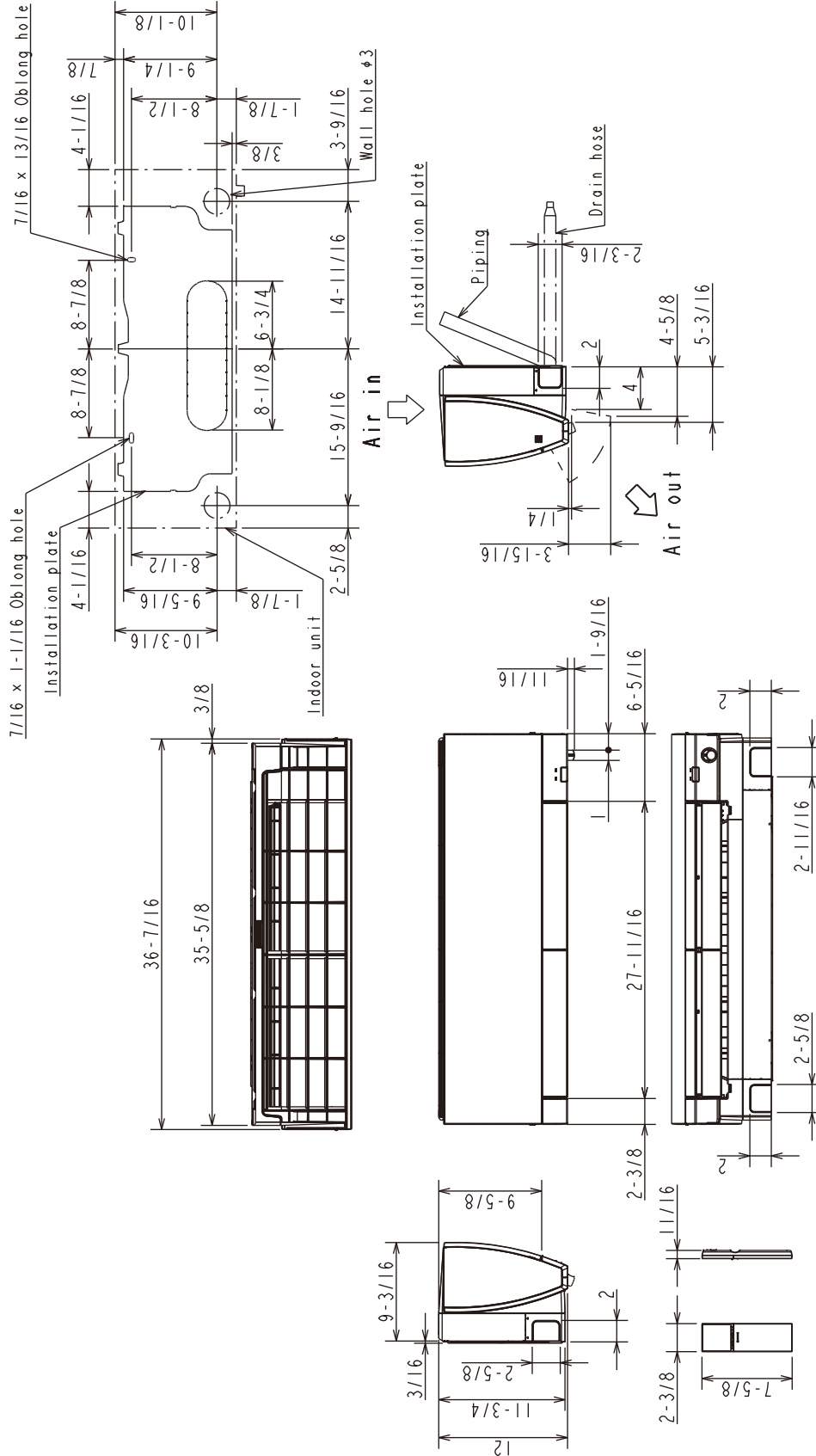
Model No.	Description: (Optional Controls)
MELCO-RETAIL-MINI	Building Automated System DDC Interface
PAC-US444CN-1	Simple thermostat Interface
PAR-40MAAU	Wired Wall Mounted Remote Control
PAR-CT01MAU-SB	Touch Screen Wired Wall Mounted Control
PAC-YT53CRAU-J	Basic Wired Wall Mounted Control
MAC-1710RA-U	External Heat Control Adapter
PAM-4	Heater control relay
RMF-CA200-V1	Deluxe Thermostat Interface
MAC-334IF-E	System Control Interface
MAC-497	PAR Control Interface

Model No.	Description: (Optional Accessories)
ME-FR-15-17	Front Winscreens
M21EAA307	Wired Remote Sensor
MAC-2330FT	Anti-Allergy Enzyme Filter (Electro static)
MAC-3080FT	Platinum Deodorizing Filter
CN24RELAYKITCM3	CN24 Relay Kit

Notes:

**Indoor Unit Outline and Dimensions:**

**Unit: inch**



**(MSZ-FS06/09/12NA)**

Insulation	φ1-7/16 O.D
Liquid line	φ1/4 19-11/16 (Flared connection φ1/4)
Gas line	φ3/8 16-15/16 (Flared connection φ3/8)
Drain hose	Insulation φ1-1/8 Connected part φ5/8 O.D

**(MSZ-FS15/18NA)**

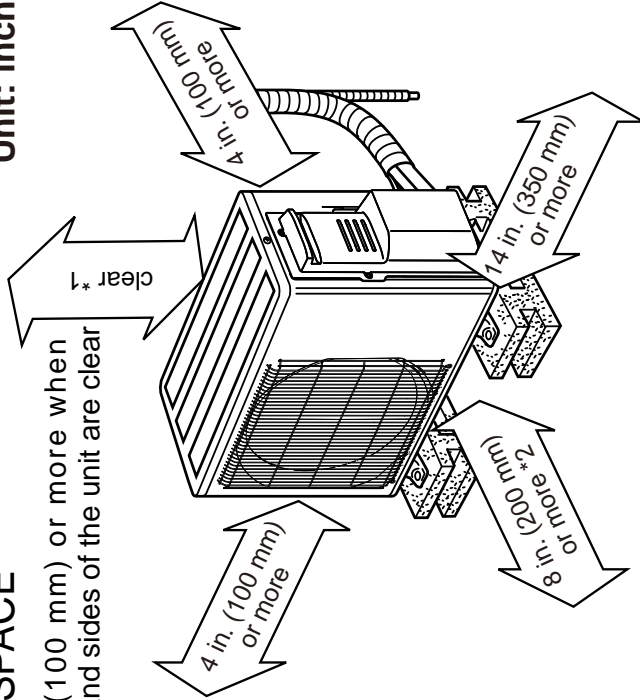
Insulation	φ1-7/16 O.D
Liquid line	φ1/4 19-11/16 (Flared connection φ1/4)
Gas line	φ3/8 16-15/16 (Flared connection φ1/2)
Drain hose	Insulation φ1-1/8 Connected part φ5/8 O.D

**Outdoor Unit Outline and Dimensions:**

**REQUIRED SPACE**

\*1 4 in. (100 mm) or more when front and sides of the unit are clear

Unit: inch



\*2 When any 2 sides of left, right and rear of the unit are clear

