

SUBMITTAL DATA: MSZ-GL15NA-(U1)(U2) & MUZ-GL15NAH-U2
15,000 BTU/H WALL-MOUNTED HEAT PUMP SYSTEM

Job Name:	Location:	Date:
Purchaser:	Engineer:	
Submitted to:	For <input type="checkbox"/> Reference <input type="checkbox"/> Approval <input type="checkbox"/> Construction	
System Designation:	Schedule No.:	



Wireless Remote Controller

ACCESSORIES:

Indoor Unit

Anti-Allergy Enzyme Filter (MAC-408FT-E)

Outdoor Unit

Windscreens (ME-FR-12-17)

Controls

Wireless Controller (MHK2)

Wired Remote Controller PAR-40MAA (Requires MAC-334IF-E)

Thermostat Interface (PAC-US444CN-1)

Note: Mitsubishi Electric (MESCA) supports the use of only MESCA supplied and approved Snow Guard / Wind Deflectors / Windscreens and accessories for proper functioning of the unit(s). Use of non-MESCA supported Snow Guard / Wind Deflectors / Windscreens and accessories will affect warranty coverage.

SPECIFICATIONS:

Rated Conditions (Capacity / Input)		
Cooling ¹	Btu/h / W	14,000 / 1,080
Heating at 47° F ²	Btu/h / W	18,000 / 1,600

Capacity Range		Minimum	Maximum
Cooling ¹	Btu/h	3,100	18,200
Heating at 47° F ²	Btu/h	4,800	20,900
Heating at 17° F ³	Btu/h	-	16,400
Heating at 5° F ⁴	Btu/h	-	13,700

¹ Cooling | Indoor: 80° F (27° C) DB / 67° F (19° C) WB; Outdoor: 95° F (35° C) DB / 75° F (24° C) WB
² Heating at 47° F | Indoor: 70° F (21° C) DB / 60° F (16° C) WB; Outdoor: 47° F (8° C) DB / 43° F (6° C) WB
³ Heating at 17° F | Indoor: 70° F (21° C) DB / 60° F (16° C) WB; Outdoor: 17° F (-8° C) DB / 15° F (-9° C) WB
⁴ Heating at 5° F | Indoor: 70° F (21° C) DB / 60° F (16° C) WB; Outdoor: 5° F (-15° C) DB / 5° F (-15° C) WB
^{*} Rating Conditions per AHRI Standard:

Operating Conditions (Indoor Intake Air Temp.) (Max. / Min.)	
Cooling ²	90° F (32° C) DB / 67° F (19° C) DB
Heating	80° F (27° C) DB / 70° F (21° C) DB

Operating Conditions (Outdoor Intake Air Temp.) (Max. / Min.)	
Cooling ⁵	115 F (46° C) DB / 14° F (-10° C) DB
Heating	75° F (24° C) DB / -4° F (-20° C) DB

⁵ Applications should be restricted to comfort cooling only; equipment cooling applications are not recommended for low ambient temperature conditions.

AHRI Efficiency Ratings	
SEER (SEER2) / HSPF (HSPF2) / EER (EER2)	21.6 (21.0) / 10.8 (9.7) / 13.0 (13.0)
COP at 47° F / 17° F / 5° F	3.3 / 3.0 / 2.43

Energy Star®	Yes
---------------------	-----

ENERGY STAR products are third-party certified by an EPA-recognized Certification Body.

Electrical Power Requirements	208 / 230V, 1-Phase, 60 Hz	
-------------------------------	----------------------------	--

Minimum Circuit Ampacity (MCA) *		
Indoor / Outdoor (RBS)	A	1 / 10 (15A - Recommended Breaker Size)

*** All electrical work shall comply with National (CEC) and local codes and regulations.**

Indoor Unit		
Blower Motor (ECM)	F.L.A.	0.76
Blower Motor Output	W	30
SHF / Moisture Removal		0.80 / 2.7 pt./h
Field Drainpipe Size O.D.	In.(mm)	5/8 (15)

Outdoor Unit		
Compressor		DC INVERTER-driven Twin Rotary
Fan Motor (ECM)	F.L.A.	0.5

Airflow Rate (Quiet - Lo - Med - Hi - Super Hi)			
Indoor (Cooling)	DRY	CFM	205-272-335-420-533
	WET		170-237-300-385-498
Indoor (Heating)	DRY		205-247-304-367-463
			1,243 / 1,229
Outdoor			

Sound Pressure Level (Quiet - Lo - Med - Hi - Super Hi)			
Indoor	Cooling	dB(A)	26-32-38-44-49
	Heating		26-30-35-40-46
Outdoor	Cooling		49
	Heating		51

External Dimensions		
Indoor (H x W x D)	In.(mm)	11-5/8 x 31-7/16 x 9-1/8 (295 x 798 x 232)
Outdoor (H x W x D)		21-5/8 x 31-1/2 x 11-1/4 (550 x 800 x 285)

Net Weight		
Indoor	Lbs.(kg)	22 (10)
Outdoor		81 (37)

External Finish	
Indoor	Munsell 1.0Y 9.2 / 0.2
Outdoor	Munsell No. 3Y 7.8 / 1.1

Refrigerant	R410A; 2 lb. 9 oz.
-------------	--------------------

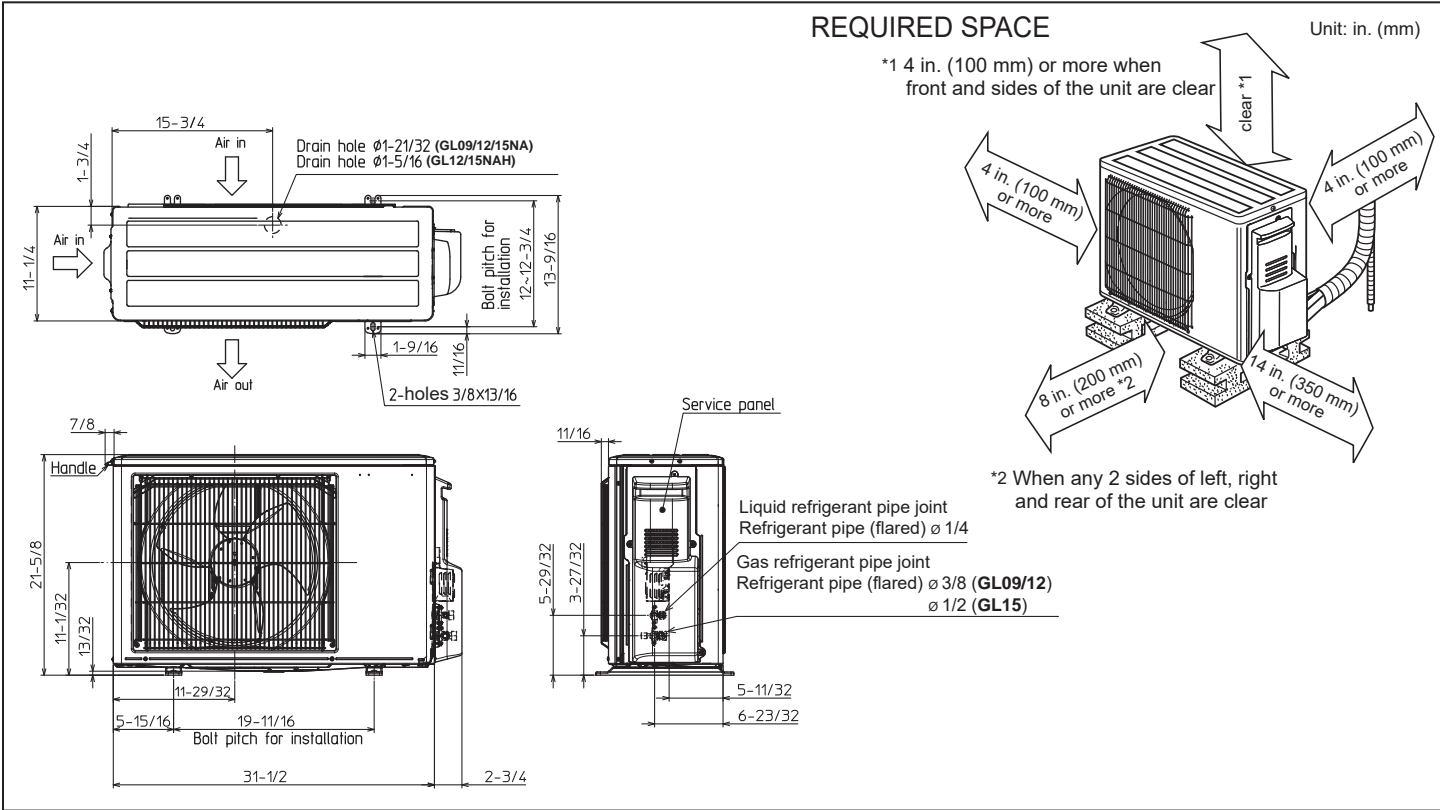
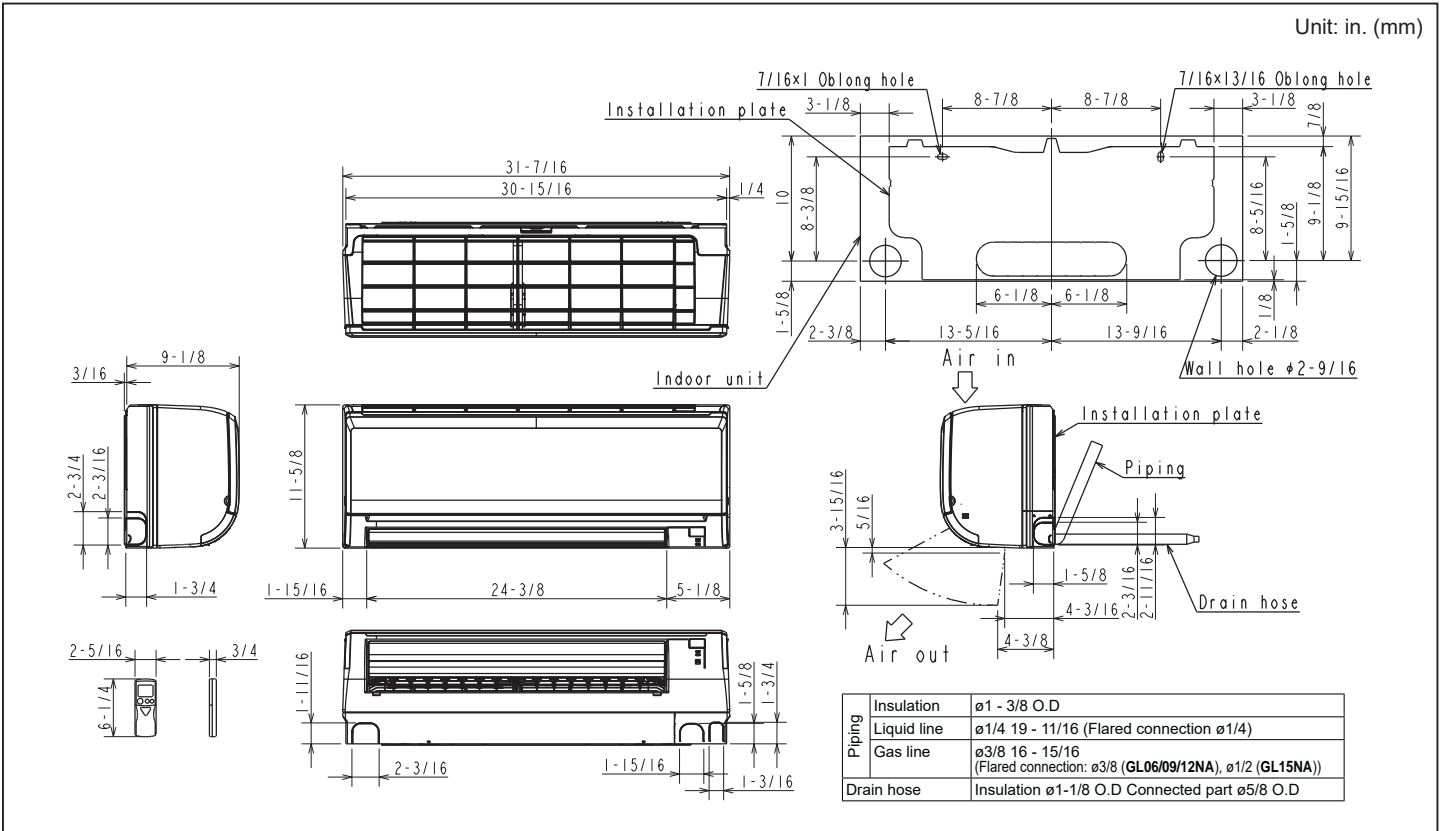
Refrigerant Piping (Flared)		
Liquid (High Pressure)	In.(mm)	1/4 (6.35)
Gas (Low Pressure)		1/2 (12.7)
Max. Total Refrigerant Pipe Length (Height Diff.)	Fl. (m)	40 (12)
Max. Total Refrigerant Pipe Length (Length.)		65 (20)

Should this document be altered or changed without MESCA's permission, it becomes null and void. MESCA assumes no responsibility for any consequences in such cases.

Specifications are subject to change without notice

DIMENSIONS: MSZ-GL15NA-(U1)(U2) & MUZ-GL15NAH-U2

Unit: in. (mm)



Unitary Small HP
AHRF Standard 210/240
Certification applies only when the complete system is listed with AHRF.

Intertek

ENERGY STAR PARTICIPANT

MITSUBISHI ELECTRIC
Changes for the Better

Should this document be altered or changed without MESCA's permission, it becomes null and void. MESCA assumes no responsibility for any consequences in such cases.