

Submittal Data: MSZ-GS30NA2-U1 & MUZ-GS30NAH2-U1

30,000 BTU/H Wall-Mounted Heat Pump System

| | |
|---------------|--|
| Job Name: | Location: |
| Purchaser: | Submitted By: |
| Submitted To: | Reference: Approval: Construction: |
| Engineer: | Date: Application: |



- CN24 Auxiliary Heat Control
- Base Pan Heater

Images provided for reference purposes only

Performance:

| | | | |
|------------------------------|----------------------|---------|-----------------|
| Cooling at 95°F ¹ | Rated Capacity | Btu/h | 30,600 |
| | Capacity Range | Btu/h | 10,300 - 30,700 |
| | Rated Power Input | W | 3,320 |
| | Power Input Range | W | 650 - 3,320 |
| | Moisture Removal | pints/h | 7.8 |
| | Sensible Heat Factor | | 0.69 |
| Heating at 47°F ² | Rated Capacity | Btu/h | 32,600 |
| | Capacity Range | Btu/h | 9,800 - 34,000 |
| | Rated Power Input | W | 3,340 |
| | Power Input Range | W | 590 - 3,580 |
| Heating at 17°F ³ | Maximum Capacity | Btu/h | 20,800 |
| | Rated Capacity | Btu/h | 20,000 |
| | Capacity Range | Btu/h | NA - 20,800 |
| | Maximum Power Input | W | 2,600 |
| | Rated Power Input | W | 2,500 |
| | Power Input Range | W | NA - 2,600 |
| Heating at 5°F ⁴ | Maximum Capacity | Btu/h | 15,500 |
| | Maximum Power Input | W | 2,320 |
| Heating at -4°F ⁵ | Maximum Capacity | Btu/h | 11,500 |

Efficiency:

| | |
|--------------------------|------------|
| SEER2 | 19.1 |
| EER2 ¹ | 9.20 |
| HSPF2 (IV) (V) | 8.70 / TBA |
| COP at 47°F ² | 2.85 |
| COP at 17°F ³ | 2.25 |
| COP at 5°F ⁴ | 1.95 |

Outdoor Operating Temperature Range:

| | | |
|---|---------|-------------------------|
| Cooling Operation Air Temp (Maximum / Minimum)* (Comfort cooling only applications) | °F (°C) | * 115 to 14 (46 to -10) |
| Cooling Operation Thermal Lock-out / Re-start Temperatures | °F (°C) | -4 / 0 (-20 / -18) |
| Heating Operation Air Temp (Maximum / Minimum) | °F (°C) | 75 to -4 (24 to -20) |
| Heating Operation Thermal Lock-out / Re-start Temperatures | °F (°C) | -14 / -4 (-25 / -20) |

AHRI Rated Conditions (Rated data is determined at a fixed compressor speed) (* Windscreens required for cooling operations below 23°F (-5°C))

- ¹Cooling (Indoor // Outdoor) 80°F (26.6°C) DB, 67°F (19.4°C) WB // 95°F (35°C) DB, 75°F (23.9°C) WB
- ²Heating at 47°F (8.3°C) (Indoor // Outdoor) 70°F (21.1°C) DB, 60°F (15.6°C) WB // 47°F (8.3°C) DB, 43°F (6.1°C) WB
- ³Heating at 17°F (-8.3°C) (Indoor // Outdoor) 70°F (21.1°C) DB, 60°F (15.6°C) WB // 17°F (-8.3°C) DB, 15°F (-9.4°C) WB
- Rated conditions:
- ⁴Heating at 5°F (-15°C) (Indoor // Outdoor) 70°F (21.1°C) DB, 60°F (15.6°C) WB // 5°F (-15°C) DB, 4°F (-15.6°C) WB
- ⁵Heating at -4°F (-20°C) (Indoor // Outdoor) 70°F (21.1°C) DB, 60°F (15.6°C) WB // -4°F (-20°C) DB, -15°F (-26.1°C) WB

Note:

- Mitsubishi Electric Sales Canada Inc. (MESCA) supports the use of only MESCA supplied and approved components and accessories for proper functioning of the unit(s). Use of non - MESCA supported components and accessories will affect warranty coverage. MESCA recommends (A) consideration of all applicable design and application parameters and requirements specific to any project.
- Should any person change this document in any manner whatsoever without MESCA's written permission, the document shall be of no force and effect and any change shall be deemed to be a representation and warranty made by that person and not MESCA. That person, and not MESCA, shall assume full responsibility for the consequences of such changes. MESCA assumes no responsibility for any consequences in such cases.

Electrical:

| | | |
|--|------|---------------------|
| Power Supply | | 208/230V, 1Ph, 60Hz |
| Voltage: Indoor - Outdoor, S1-S2 | V AC | AC 208/230V |
| Voltage: Indoor - Outdoor, S2-S3 | V DC | DC 12-24V |
| Short-circuit Current Rating (SCCR) | kA | 5 |
| Recommended Fuse/Breaker Size (Outdoor) | A | 25 |
| Recommended Wire Size (Indoor - Outdoor) | AWG | 14 |

Indoor Unit Specifications:

| | | |
|---------------------------------|-------------|-----------------------|
| MCA | A | 1.0 |
| Blower Motor Full Load Amperage | A | 0.76 |
| Blower Motor Output | A | NA |
| Airflow Rate at Cooling, Dry | CFM | 374 - 602 - 699 - 915 |
| Airflow Rate at Cooling, Wet | CFM | 336 - 542 - 629 - 823 |
| Airflow Rate at Heating, Dry | CFM | 423 - 602 - 699 - 803 |
| Sound Pressure Level (Cooling) | dB(A) | 34 - 42 - 49 - 53 |
| Sound Pressure Level (Heating) | dB(A) | 34 - 42 - 49 - 50 |
| Drain Pipe Size | In. (mm) | 5/8 (15.88) |
| External Finish Color | | Munsell 1.0Y 9.2/0.2 |
| Unit Dimensions | W: In. (mm) | 46-1/16 (1,170) |
| | D: In. (mm) | 11-5/8 (295) |
| | H: In. (mm) | 14-3/8 (365) |
| Unit Weight | Lbs. (kg) | 45 (21) |

Outdoor Unit Specifications:

| | | |
|--|-------------|---|
| MCA | A | 23 |
| MOCP | A | 25 |
| Fan Motor Output FLA | A | 0.93 |
| Airflow Rate (Cooling/Heating) (Low - Med. - High) | CFM | 1,024 - 1,975 - 2,191 / 1,328 - 1,950 - 1,950 |
| Sound Pressure Level, Cooling ¹ | dB(A) | 55 |
| Sound Pressure Level, Heating ¹ | dB(A) | 57 |
| Refrigerant Control | | Linear expansion value |
| Compressor Oil Type / Charge | oz. | FV50S / 15.6 |
| External Finish Color | | Munsell 3Y 7.8/1.1 |
| Unit Weight | Lbs. (kg) | 123 (56) |
| Unit Dimensions | W: In. (mm) | 33-1/16 (840) |
| | D: In. (mm) | 13 (330) |
| | H: In. (mm) | 34-5/8 (880) |
| Gas Pipe Size O.D. (Flared) | In. (mm) | 5/8 (15.88) |
| Liquid Pipe Size O.D. (Flared) | In. (mm) | 1/4 (6.35) |
| Maximum Piping Length | Ft. (m) | 100 (30) |
| Maximum Height Difference | Ft. (m) | 50 (15) |

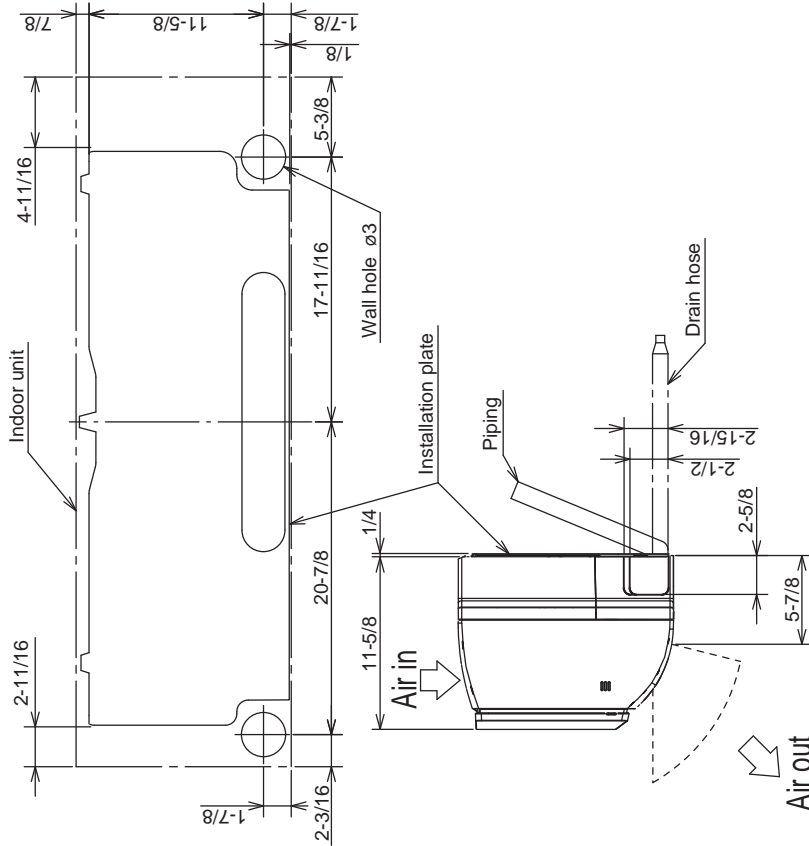
| Model No. | Description: (Optional Controls) |
|-------------------|---|
| MELCO-RETAIL-MINI | Building Automated System DDC Interface |
| PAR-40MAAU | Wired Wall Mounted Remote Control |
| PAR-CT01MAU-SB | Touch Screen Wired Wall Mounted Control |
| PAC-YT53CRAU-J | Basic Wired Wall Mounted Control |
| MAC-1710RA-U | External Heat Control Adapter |
| PAM-4 | Heater control relay |
| RMF-CA200-V1 | Deluxe Thermostat Interface |
| MAC-334IF-E | System Control Interface |
| MAC-497 | PAR Control Interface |
| MHK2 | Wireless Wall Mounted Control |
| | |
| | |

| Model No. | Description: (Optional Accessories) |
|-----------------|-------------------------------------|
| CN24RELAYKITCM3 | CN24 Relay Kit |
| TBA | Front Winscreens |
| | |
| | |
| | |
| | |

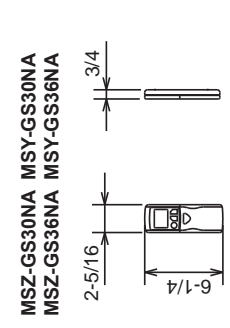
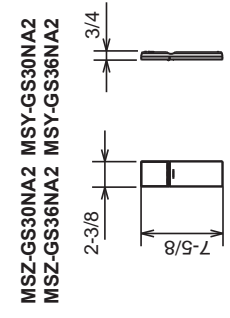
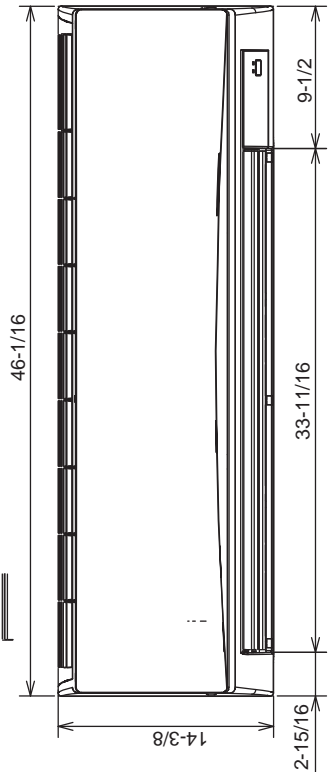
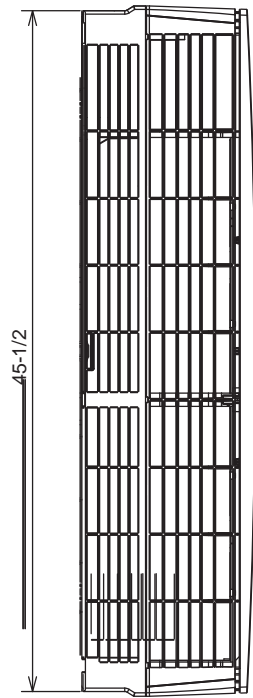
Notes:

Indoor Unit Outline and Dimensions:

Unit: inch



| | PIPING | INSULATION |
|-------------|--|-----------------------------|
| LIQUID LINE | φ 3/8 - 19-11/16 (FLARED CONNECTION φ 1/4) | φ 1-1/4 O.D φ 9/16 I.D |
| GAS LINE | φ 15/32 - 17-3/4 (FLARED CONNECTION φ 5/8) | φ 1-7/16 O.D φ 13/16 I.D |
| DRAIN HOSE | INSULATION φ 1-1/8 CONNECTED PART φ 5/8 | φ 5/8 O.D |



MSZ-GS30NA2 MSY-GS30NA2
MSZ-GS36NA2 MSY-GS36NA2

MSZ-GS30NA MSY-GS30NA
MSZ-GS36NA MSY-GS36NA

Wireless remote controller

Outdoor Unit Outline and Dimensions:

