

Job Name: _____
 Location: _____
 Date: _____
 Purchaser: _____
 Engineer: _____
 Submitted To: _____ For: Reference Approval Construction
 Submitted By: _____
 Unit Designation: _____ Schedule No.: _____ Model No.: _____



CITY MULTI

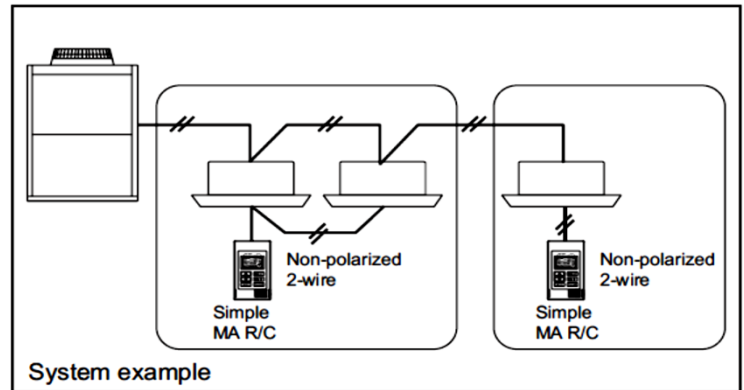
PAC-YT53CRAU-J

Submittal Date: _____ **Local Remote Controller**

The new PAC-YT53CRAU-J simple MA local remote controller comes with Backlit Screen

SIMPLE MA REMOTE CONTROLLER (PAC-YT53CRAU-J) SPECIFICATIONS

- Controls group operation for up to 16 indoor units in single group.
- Supports both Fahrenheit and Celsius.
- User defined functions:
 - ON/OFF
 - Operation Mode: Auto (R2 Series only), COOL, HEAT, FAN DRYING, or SETBACK
 - Set Temperature
 - Fan Speed Setting
 - Air Flow Direction
 - Set temperature range: 40F to 95F depending on operation mode and indoor unit connected.
 - LOSSNAY: Simple MA for interlocked system can set High/Low/Stop on Lossnay.
 - Room temperature can be sensed either at indoor unit (default) or at the remote controller.
 - Diagnostics: Displays four-digit error code and error unit address.
 - Grouping: Same group use only with other PAC-YT53CRAU-J Simple MA Controllers, PAR-21MAUU Deluxe MA Remote Controllers, and PAR-FL/A32MA Wireless MA Remote Controllers with up to two remote controllers per group.
 - Addressing: No addressing required
 - Wiring: Uses two-wire, stranded, non-polar control wire for connecting TB15 connection terminal on the indoor unit. Requires crossover wiring for grouping across indoor units.
 - Dimensions: 2-3/4 x 9/16 x 4-3/4" (70 x 14.5 x 120mm).

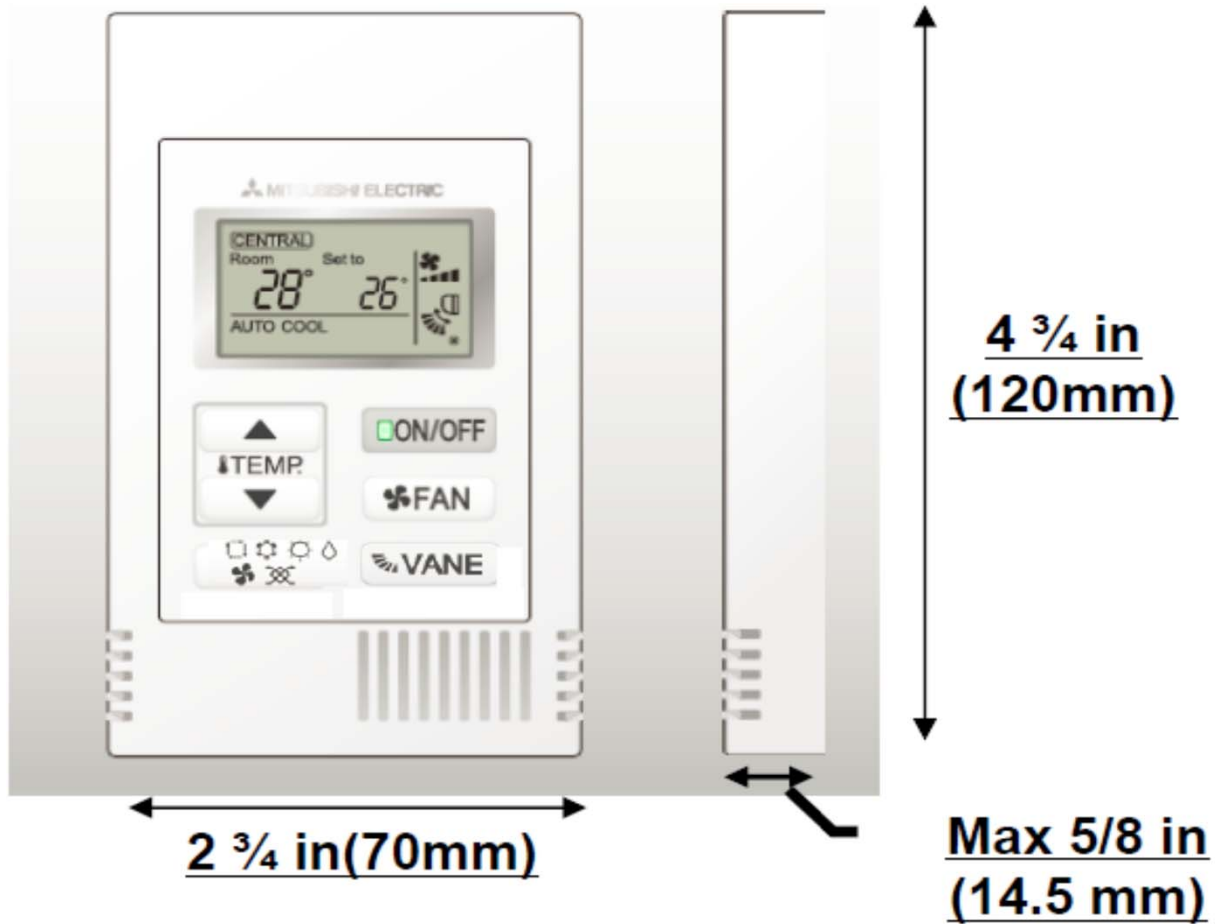


NOTES:

CITY MULTI



External Dimensions



Mitsubishi Electric Sales Canada Inc.
www.MitsubishiElectric.ca

Specifications are subject to change without notice.

PAC-YT53CRAU-J 2012/07 © MITSUBISHI ELECTRIC / HVAC 2012

NOTES: