

Job Name:

Schedule Reference:

Date:

Optional Part:

PAM-4 Relay

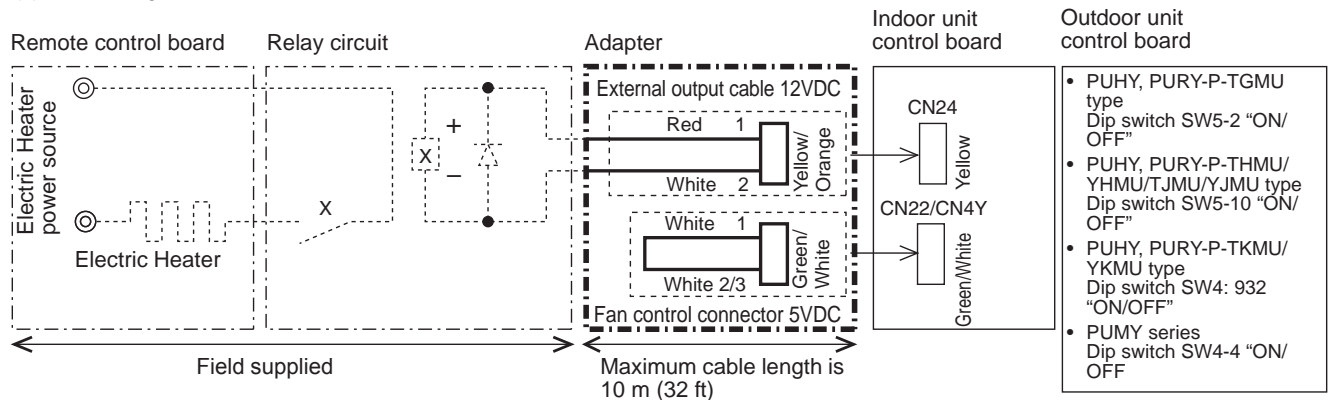
EXTERNAL HEATER ADAPTOR (PAC-YU25HT*1) SPECIFICATIONS

- Coil Voltage: 12 Vdc
 - Power Consumption: 0.9 W or less
 - Maximum Distance: 32 feet (10 meters)
 - Wire Size: 16 to 22 AWG
- The external header adaptor (PAC-YU25HT) connects to CN24 on the indoor unit for control of external heat by the CITY MULTI Controls Network

PAC-YU25HT*1 = For models PKFY-P06_08NBMU-E you require external output cable PAC-SE88HA-E (PAR-725AD), cable connects into Indoor board CN52 while Brown and Red wires are used in place of wiring shown below. (Same control operation apply see PKFY_5H for full details)

- For full control sequence specifications as well field DIP switch setting reference IM_PAC-YU25HT_WT05383X04
- PAC-YU25HT adaptor only enables/disables a 12vdc interlock relay for a third party auxiliary heater control circuit. Third party control circuit must be capable to operate via an on/off dry contact only
- Operational, high limit and all other safety controls should be integral to the third party auxiliary heater

Locally Procured Wiring
(1) Basic wiring

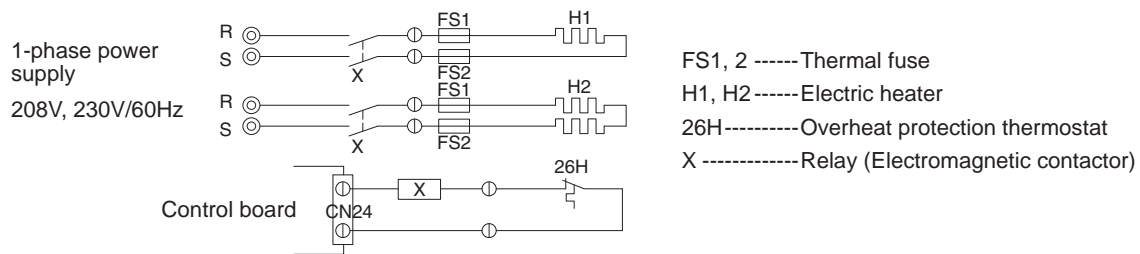


Use X relay having the following specifications

- Rated voltage : 12VDC
- Power consumption : 0.9W or less
- * Always insert a diode on both ends of the relay coil.

The length of the electrical wiring for the PAC-YU25HT is 2 meters (6-1/2 ft).
For longer lengths, up to no more than 10 m (32ft), use sheathed 2-core cable.
Control cable type : CVV, CVS, CPEV or equivalent.
Cable size : 0.5 mm² ~ 1.25 mm² (16 to 22 AWG)

(2) Recommended circuit



Notes: