

Job Name: \_\_\_\_\_  
 Location: \_\_\_\_\_  
 Date: \_\_\_\_\_  
 Purchaser: \_\_\_\_\_  
 Engineer: \_\_\_\_\_  
 Submitted To: \_\_\_\_\_  
 Submitted By: \_\_\_\_\_  
 Unit Designation: \_\_\_\_\_

For: Reference Approval Construction

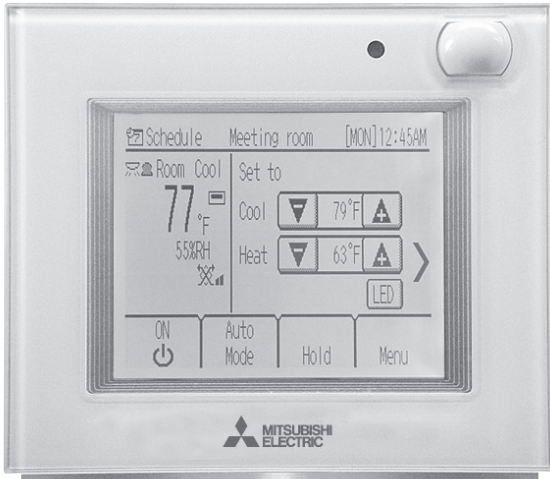
Schedule No.: \_\_\_\_\_ Model No.: \_\_\_\_\_

# CITY MULTI

# PAR-U01MEDU-K

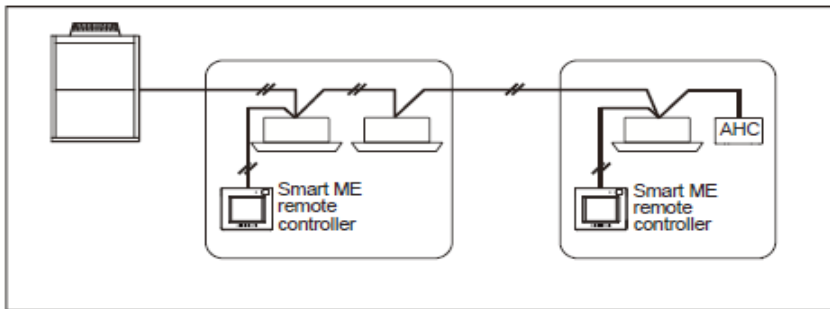
**Submittal Date:** \_\_\_\_\_

**Smart ME Remote Controller**

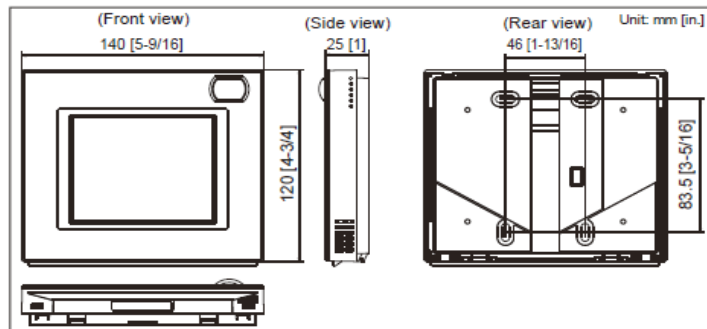


- ME remote controller is a remote controller designed to control Mitsubishi Electric's air conditioning units and also allows for the control of other manufacturer's products connected via Mitsubishi Electric's AHC (Advanced HVAC CONTROLLER).
- It can control up to sixteen indoor units and one AHC.
- ME remote controller features such basic functions as operations and monitoring of air conditioning units and schedule-control functions and is equipped with four built-in sensors (temperature, humidity, occupancy, brightness), which enable an integrated control of the system, including the humidifiers and ventilation units connected to the system via AHC, to help create a comfortable environment. When the built-in occupancy sensor detects vacancy in a specific zone, the controller uses its internal function to reduce energy-consumption.

## ■ System example



## ■ External dimension



NOTES:

## ■ Functions

### 1. Operation/Displ

○: Each group    X: Not available

Item	Description	Setting	Display
ON/OFF	Switches between ON and OFF.	○	○
Operation mode switching	Switches between Cool/Drying/Fan/Auto/Setback/Heat. *Available operation mode varies depending on the model.	○	○
Hold	Switches between enable and disable the Hold function. If the Hold function is enable, the following functions will be prohitied. Timer/Schedule (Weekly timer) /Auto return	○	○
Temperature setting	Changes the set temperature. * Set temperature range varies depending on the indoor unit model.	○	○
Fan speed setting	Changes fan speed. * Available fan speeds vary depending on the model.	○	○
Air flow direction setting	Changes airflow direction. * Available airflow directions vary depending on the model.	○	○
Louver setting	Switches between louver ON/OFF. * Available Louver setting vary depending on the model.	○	○
Ventilation equipment control	Interlocked setting and interlocked operation setting with City Multi Lossnay units can be performed. The Stop/Low/High settings of the ventilation equipment can be controlled.	○	○
Backlight	Touching the screen turns the backlight on. It will stay lit for the amount of time that was specified on the MENU screen.	○	○
Clock display	Date (year/month/day) and time (hour/minute) can be set. The set time as well as the day of the week will be displayed on the Home display. The clock can be displayed in 12-hour format (AM/PM before or after the time) and 24-hour format.	○	○
Daylight saving	Sets the daylight saving time period.	○	○
Room temp./humidity display	Displays the room temperature and humidity on the Home display.	—	○
Error information	When an error occurs, an error code and the unit address appear. A contact number can be set to appear when an error occurs. (The above information needs to be entered in the Service menu.)	—	○
Filter information	A filter sign will appear when it is time to clean the filter.	—	○

NOTES:

## 2. Schedule and timer setti

○: Each group    ✕: Not available

Item	Description	Setting	Display
Schedule (Weekly timer)	Weekly ON/OFF times, operation mode, and set temperatures can be set. <ul style="list-style-type: none"> <li>Time can be set in 5-minute increments. Up to 8 schedule patterns can be set per day of the week.</li> </ul> * Not valid when the ON/OFF timer is set.	○	○
Timer	ON/OFF timer Turns ON and OFF daily at a set time. <ul style="list-style-type: none"> <li>Time can be set in 5-minute increments.</li> <li>It is also possible to set the ON time only or the OFF time only.</li> </ul> Auto-OFF timer Turns off the unit after a certain period of operation. <ul style="list-style-type: none"> <li>Operation time can be set to a value from 30 to 240 in 10-minute increments.</li> </ul>	○	○

## 3. Energy-save control assist functi

○: Each group    ✕: Not available

Item	Description	Setting	Display
Energy-save control during vacancy	When vacancy is detected by the occupancy sensor, the energy-save control assist function is activated. Five control types are available for selection: ON/OFF/Operation mode/Set temperature/Fan speed/Thermo-off. The brightness sensor can be used in conjunction with the occupancy sensor to detect the occupancy/vacancy status more accurately.	○	○

## 4. Restriction settin

○: Each group    ✕: Not available

Item	Description	Setting	Display
Allows/disallows local operation	The following operation can be prohibited by applying certain settings on the centralized controller: ON/OFF, operation mode setting, temperature setting, fan speed, air direction, and filter sign reset. * While an operation is prohibited, the operation icon lights up.	✕	○
Operation lock	The following operation can be prohibited respectively: ON/OFF, operation mode setting, temperature setting, Hold setting, and airflow direction setting.	○	○
Temperature range restriction	The room temperature range for each operation mode can be restricted.	○	○
Auto return	The units operate at the preset temperature after a designated period. (Time can be set to a value from 10 to 120 in 10-minute increments.) * Not valid when the temperature setting range is restricted.	○	✕
Password	User password (required for schedule setting etc.) and Service password (required for test run and function setting etc.) can be set.	○	✕

NOTES:

## 5. AHC control functions

○: Each group    ×: Not available

Item	Description	Setting	Display
Status monitor	Displays the status of general equipments connected to the AHC.	×	○
Humidity setting	Sets the humidity level in 1% increments for the humidifier connected to the AHC, if any.	○	○

## 6. Miscellaneous ite

○: Each group    ×: Not available

Item	Description	Setting	Display
Service	Contains Set up, Error history, and Test run.	○	○

NOTES: