

SUBMITTAL DATA: PCA-A24KA8 & PUZ-A24NHA7
24,000 BTU/H CEILING-SUSPENDED HEAT PUMP SYSTEM

Job Name:	Engineer:
Purchaser:	Application:
Submitted To:	For: <input type="checkbox"/> Reference <input type="checkbox"/> Approval <input type="checkbox"/> Construction
Submitted By:	Location:
System Designation:	Schedule No.:



UNIT OPTION:

Standard Model.....PUZ-A24NHA7

ACCESSORIES:

- i-See Sensor (PAC-SH91MK-E)
- Remote Controller Kit with i-See Sensor (PAR-SA92MW-E)
- Drain Pump (PAC-SH84DM-E)
- External Heater Adaptor (PAC-SE56RA-E)

Controls

- Wireless Controller (MHK2)
- Advanced Wired Controller (PAR-41MAAU)
- Simple Wired Controller (PAC-YT53CRAU)
- Interface Module (RMF-CA200)
- M-NET Adapter (PAC-SJ95MA-E)

Outdoor Unit

- Front Wind Guard (PFR-24-30)
- Rear Wind Guard (PRE-24-30)
- Side Wind Guard (PSD-24-30)

Note: Mitsubishi Electric (MESCA) supports the use of only MESCA supplied and approved Snow Guard / Wind Deflectors / Windscreens and accessories for proper functioning of the unit(s). Use of non-MESCA supported Snow Guard / Wind Deflectors / Windscreens and accessories will affect warranty coverage.

SPECIFICATIONS:

Rated Conditions (Capacity / Input)*		
Cooling	Btu/h / W	24,000 / 1,960
Heating at 47° F	Btu/h / W	26,000 / 1,800
Heating at 17° F	Btu/h / W	15,400 / 1,700

* Rating Conditions per AHRI Standard:
Cooling | Indoor: 80° F (27° C)DB / 67° F (19° C)WB; Outdoor: 95° F (35° C)DB / 75° F (24° C)WB
Heating at 47° F | Indoor: 70° F (21° C)DB / 60° F (16° C)WB; Outdoor: 47° F (8° C)DB / 43° F (6° C)WB
Heating at 17° F | Indoor: 70° F (21° C)DB / 60° F (16° C)WB; Outdoor: 17° F (-8° C)DB / 15° F (-9° C)WB

Capacity Range		
Cooling	Btu/h	10,000 - 24,000
Heating at 47° F	Btu/h	8,800 - 28,000

Operating Range		
Cooling	0°F** (-18°C) to 115°F (46°C) DB	
Heating	-4°F (-20°C) to 70°F (21°C) DB	

** Windscreens required for cooling operation below 23°F (-5°C)

AHRI Efficiency Rating	
EER2	12.2
SEER2	21.0
HSPF2 (IV) / (V)	9.2 / 7.3
COP at 47° F	4.23
COP at 17° F	2.65

Electrical Power Requirements	208 / 230V, 1-Phase, 60 Hz
-------------------------------	----------------------------

Minimum Circuit Ampacity (MCA) *		Breaker Size	MOCP (Outdoor)
Indoor 1 AMP	Outdoor 19 AMP	25 AMP	26 AMP

* All electrical work shall comply with National (CEC) and local codes and regulations.

Indoor Unit		
Fan Motor (ECM)	F.L.A.	0.54
Fan Motor Output	W	95
SHF / Moisture Removal		0.73 / 5.8 pt./h
Field Drainpipe Size O.D	in. (mm)	1-1/32 (26)

Outdoor Unit		
Compressor		DC INVERTER-driven Twin Rotary
Fan Motor (ECM)	F.L.A.	0.4
Fan Motor Power	W	86

Airflow Rate (Low-M1-M2-Hi)			
Indoor (Cooling)	DRY	CFM	530-565-600-670
	WET		495-530-565-635
Outdoor	DRY		1,940

Sound Pressure Level		
Indoor (Low-M1-M2-Hi)		33-35-37-40
Outdoor	Cooling	47
	Heating	48

External Dimensions		
Indoor (H x W x D)	In.(mm)	9-1/16 x 50-3/8 x 26-3/4 (230 x 1,280 x 680)
Outdoor (H x W x D)		37-1/8 x 37-13/32 x 13 + 1-3/16 (943 x 950 x 330 + 30)

Net Weight		
Indoor	Lbs.(kg)	71 (32)
Outdoor		153 (69)

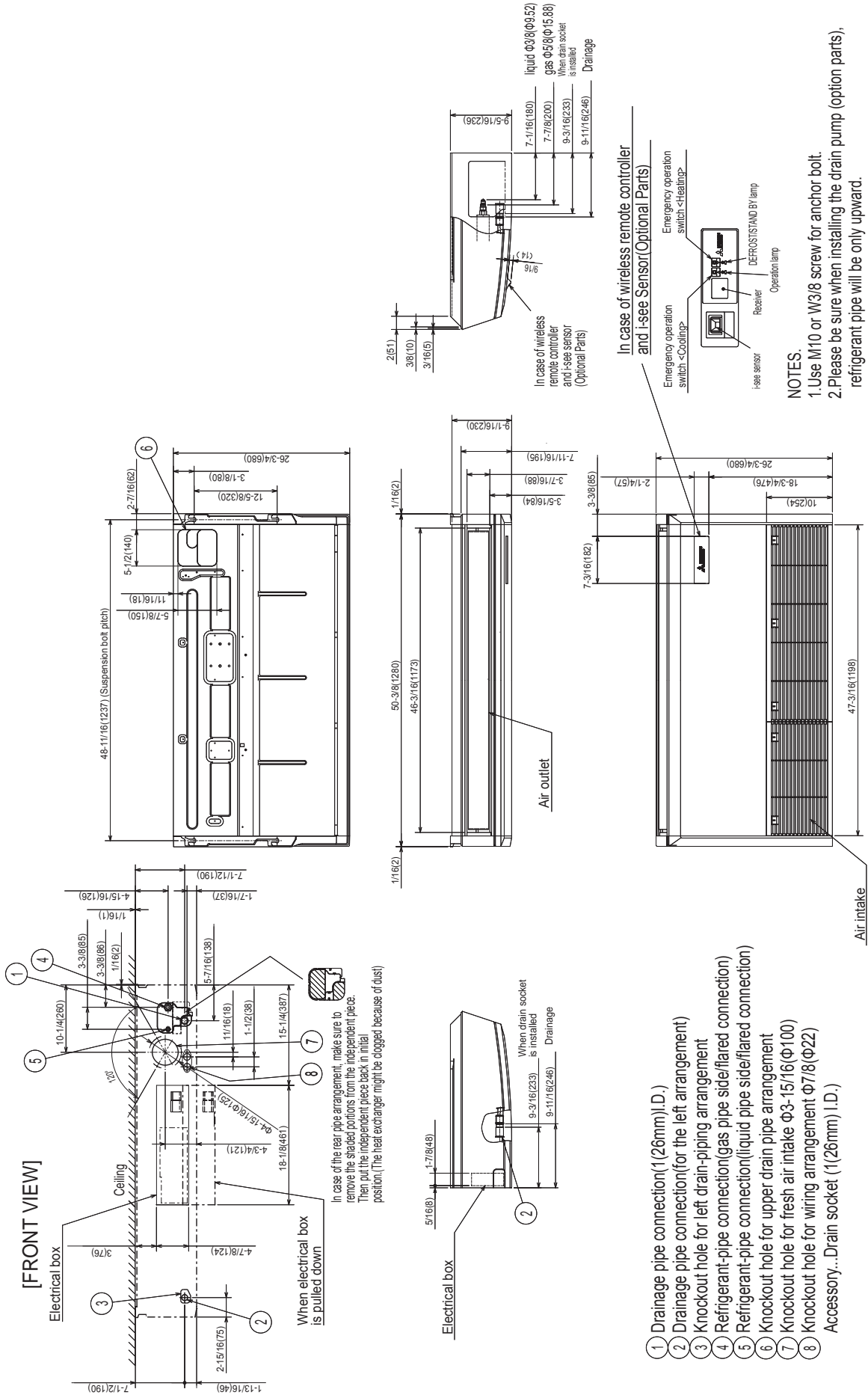
External Finish	
Indoor	White Munsel No. 6.4Y 8.9/0.4
Outdoor	Ivory Munsell No. 3Y 7.8 / 1.1

Refrigerant	R410A ; 7lbs. 11oz. (3.5kg)
-------------	-----------------------------

Refrigerant Piping (Flared)		
Liquid (High Pressure)	In.(mm)	3/8 (9.52)
Gas (Low Pressure)		5/8 (15.88)
Maximum Total Refrigerant Pipe Length	Fl. (m)	165 (50)
Maximum Vertical Separation	Fl. (m)	100 (30)

DIMENSIONS: PCA-A24KA8

Unit: in. (mm)

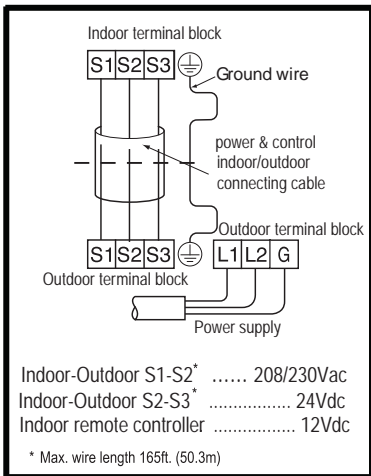
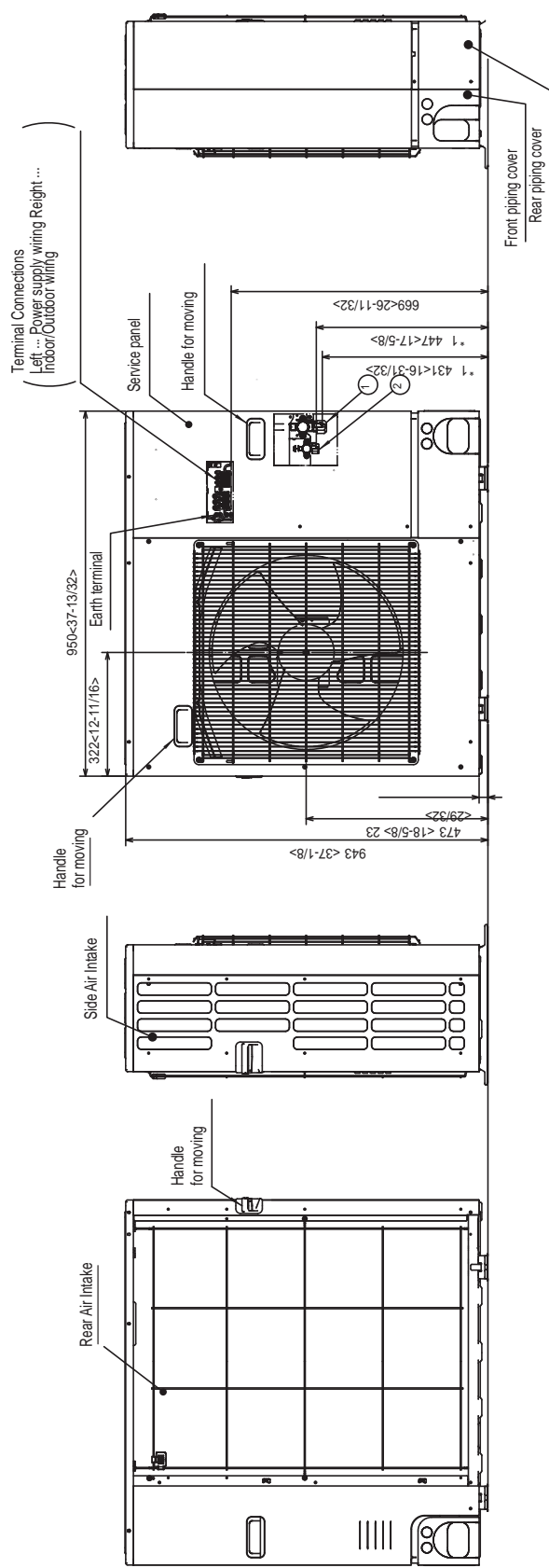
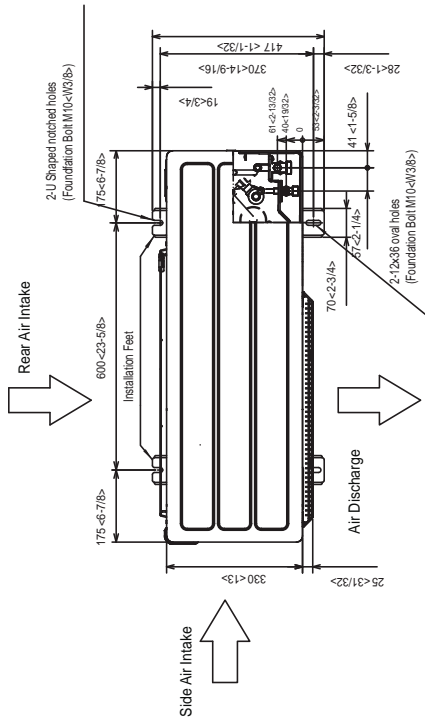


Specifications are subject to change without notice.

Should this document be altered or changed without MESCA's permission, it becomes null and void. MESCA assumes no responsibility for any consequences in such cases.

DIMENSIONS: PUZ-A24NH7

Unit: mm (in.)



Should this document be altered or changed without MESCA's permission, it becomes null and void. MESCA assumes no responsibility for any consequences in such cases.

