

SUBMITTAL DATA: PCA-A30KA8 & PUY-A30NHA7
36,000 BTU/H CEILING-SUSPENDED AIR-CONDITIONING SYSTEM

Job Name:	Engineer:
Purchaser:	Application: <input type="checkbox"/> Std. Cooling <input type="checkbox"/> Ultra Low Ambient Cooling
Submitted To:	For: <input type="checkbox"/> Reference <input type="checkbox"/> Approval <input type="checkbox"/> Construction
Submitted By:	Location:
System Designation:	Schedule No.:



UNIT OPTION:

Standard Model.....PUY-A30NHA7

ACCESSORIES:

- i-See Sensor (PAC-SH91MK-E)
- Remote Controller Kit with i-See Sensor (PAR-SA92MW-E)
- Drain Pump (PAC-SH84DM-E)

Controls

- Wireless Controller (MHK2)
- Advanced Wired Controller (PAR-41MAAU)
- Simple Wired Controller (PAC-YT53CRAU)
- Interface Module (RMF-CA200)
- M-NET Adapter (PAC-SJ95MA-E)

Outdoor Unit

- Front Wind Guard (PFR-24-30)
- Rear Wind Guard (PRE-24-30)
- Side Wind Guard (PSD-24-30)

Note: Mitsubishi Electric (MESCA) supports the use of only MESCA supplied and approved Snow Guard / Wind Deflectors / Windscreens and accessories for proper functioning of the unit(s). Use of non-MESCA supported Snow Guard / Wind Deflectors / Windscreens and accessories will affect warranty coverage.

SPECIFICATIONS:

Rated Conditions (Capacity / Input)*		
Cooling	Btu/h / W	30,000 / 3,190

* Rating Conditions per AHRI Standard:
Cooling | Indoor: 80° F (27° C) DB / 67° F (19° C) WB
Cooling | Outdoor: 95° F (35° C) DB / 75° F (24° C) WB

Capacity Range		
Cooling	Btu/h / W	9,000 - 30,000

Operating Range	
Cooling	-40F** (-40.0°C) to 115°F (46°C) DB

** Windscreens required for cooling operation below 23°F (-5°C)

AHRI Efficiency Ratings	
EER2	9.4
SEER2	19.8

Electrical Power Requirements	208 / 230V, 1-Phase, 60 Hz
-------------------------------	----------------------------

Minimum Circuit Ampacity (MCA) *	Breaker Size	MOCP (Outdoor)
Indoor 1 AMP	Outdoor 19 AMP	25 AMP
		26 AMP

*** All electrical work shall comply with National (CEC) and local codes and regulations.**

Indoor Unit		
Fan Motor (ECM)	F.L.A.	0.54
Fan Motor Output	W	95
SHF / Moisture Removal		0.69 / 8.3 pt./h
Field Drainpipe Size O.D.	In.(mm)	1-1/32 (26)

Outdoor Unit		
Compressor		DC INVERTER-driven Twin Rotary
Fan Motor (ECM)	F.L.A.	0.4
Fan Motor Power	W	86

Airflow Rate (Low-M1-M2-Hi)			
Indoor (Cooling)	DRY	CFM	565-600-635-705
	WET		530-565-600-670
Outdoor	DRY		1,940

Sound Pressure Level		
Indoor (Low-M1-M2-Hi)	dB(A)	35-37-39-41
Outdoor		Cooling

External Dimensions		
Indoor (H x W x D)	In.(mm)	9-1/16 x 50-3/8 x 26-3/4 (230 x 1,280 x 680)
Outdoor (H x W x D)		37-1/8 x 37-13/32 x 13 + 1-3/16 (943 x 950 x 330 + 30)

Net Weight		
Indoor	Lbs.(kg)	71 (32)
Outdoor		151 (68)

External Finish	
Indoor	White Munsel No. 6.4Y 8.9/0.4
Outdoor	Ivory Munsell No. 3Y 7.8 / 1.1

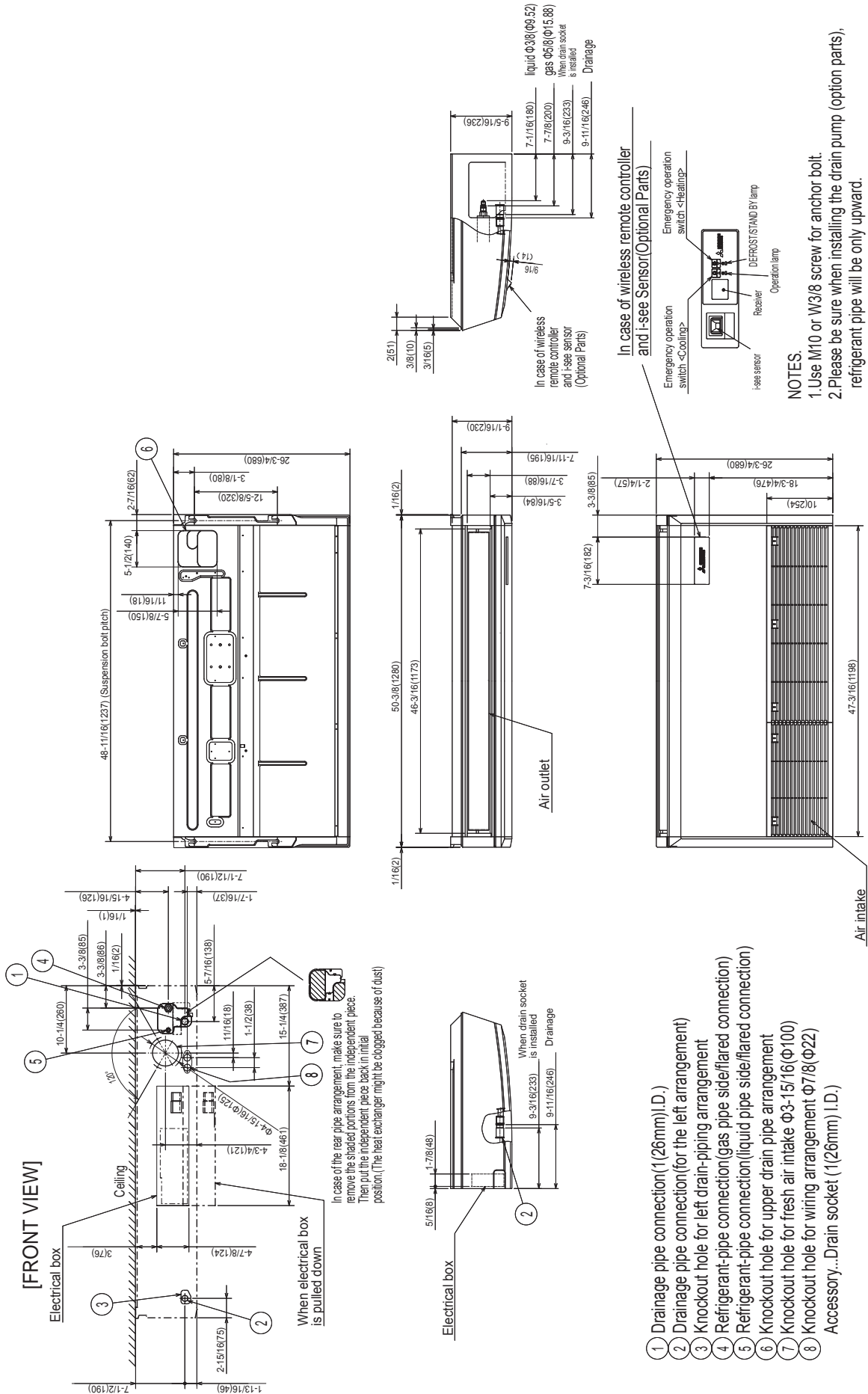
Refrigerant	R410A ; 7lbs., 11oz. (3.5kg)
-------------	------------------------------

Refrigerant Piping (Flared)		
Liquid (High Pressure)	In.(mm)	3/8 (9.52)
Gas (Low Pressure)		5/8 (15.88)
Maximum Total Refrigerant Pipe Length	Ft. (m)	225 (69)
Maximum Vertical Separation	Ft. (m)	100 (30)

Should this document be altered or changed with out MESCA's permission, it becomes null and void. MESCA assumes no responsibility for any consequences in such cases.

DIMENSIONS: PCA-A30KA8

Unit: in. (mm)



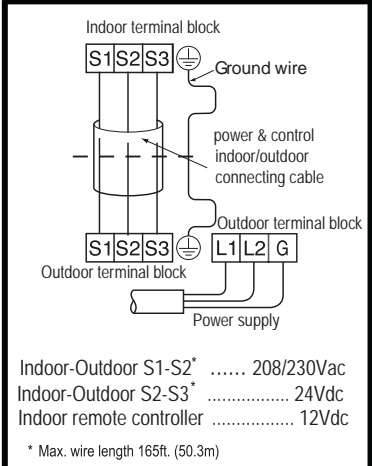
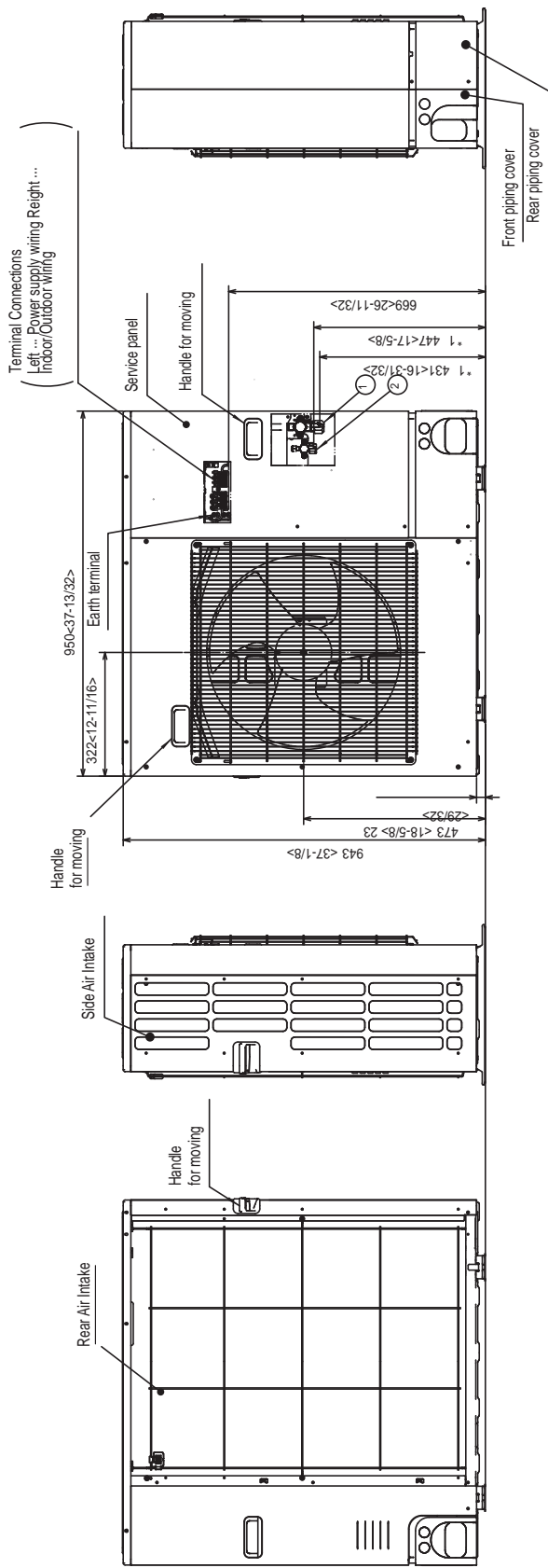
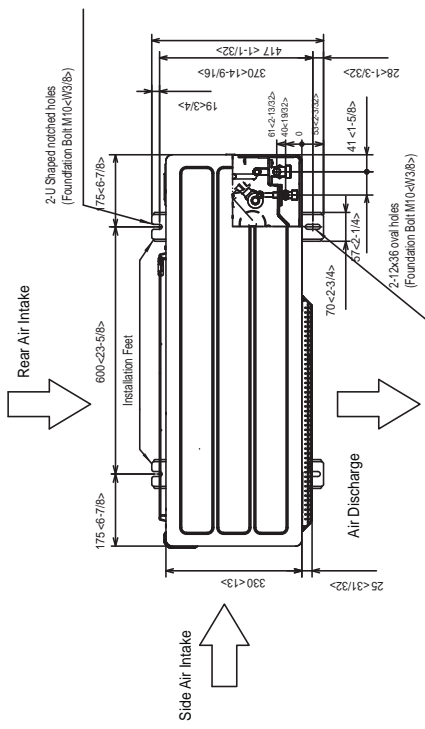
Specifications are subject to change without notice.

- 1 Drainage pipe connection (1(26mm) I.D.)
 - 2 Drainage pipe connection (for the left arrangement)
 - 3 Knockout hole for left drain-piping arrangement
 - 4 Refrigerant-pipe connection (gas pipe side/flared connection)
 - 5 Refrigerant-pipe connection (liquid pipe side/flared connection)
 - 6 Knockout hole for upper drain pipe arrangement
 - 7 Knockout hole for fresh air intake $\Phi 3-15/16$ ($\Phi 100$)
 - 8 Knockout hole for wiring arrangement $\Phi 7/8$ ($\Phi 22$)
- Accessory... Drain socket (1(26mm) I.D.)

Should this document be altered or changed without MESCA's permission, it becomes null and void. MESCA assumes no responsibility for any consequences in such cases.

DIMENSIONS: PUY-A30NHA7

Unit: mm (in.)



Should this document be altered or changed without MESCA's permission, it becomes null and void. MESCA assumes no responsibility for any consequences in such cases.

