

SUBMITTAL DATA: PCA-A36KA8 & PUY-A36NKA7
36,000 BTU/H CEILING-SUSPENDED AIR-CONDITIONING SYSTEM

Job Name:	Engineer:
Purchaser:	Application: <input type="checkbox"/> Std. Cooling <input type="checkbox"/> Ultra Low Ambient Cooling
Submitted To:	For: <input type="checkbox"/> Reference <input type="checkbox"/> Approval <input type="checkbox"/> Construction
Submitted By:	Location:
System Designation:	Schedule No.:



UNIT OPTION:

Standard Model.....PUY-A36NKA7

ACCESSORIES:

- i-See Sensor (PAC-SH91MK-E)
- Remote Controller Kit with i-See Sensor (PAR-SA92MW-E)
- Drain Pump (PAC-SH84DM-E)

Controls

- Wireless Controller (MHK2)
- Advanced Wired Controller (PAR-41MAAU)
- Simple Wired Controller (PAC-YT53CRAU)
- Interface Module (RMF-CA200)
- M-NET Adapter (PAC-SJ95MA-E)

Outdoor Unit

- Rear Snow Guard (SG-1-RE)
- Side Snow Guard (SG-1-SD)
- Front Wind Deflector (x2 required) (CM-S-FR-NKMU)
- Front Wind Blocker (x2 per box) (CM-S-BLK-NKMU)

Note: Mitsubishi Electric (MESCA) supports the use of only MESCA supplied and approved Snow Guard / Wind Deflectors / Windscreens and accessories for proper functioning of the unit(s). Use of non-MESCA supported Snow Guard / Wind Deflectors / Windscreens and accessories will affect warranty coverage.

SPECIFICATIONS:

Rated Conditions (Capacity / Input)*		
Cooling	Blu/h / W	36,000 / 3,270

* Rating Conditions per AHRI Standard:
Cooling | Indoor: 80° F (27° C) DB / 67° F (19° C) WB
Cooling | Outdoor: 95° F (35° C) DB / 75° F (24° C) WB

Capacity Range		
Cooling	Blu/h / W	16,000 - 36,000

Operating Range	
Cooling	-40F** (-40.0°C) to 115°F (46°C) DB

** Windscreens required for cooling operation below 23°F (-5°C)

AHRI Efficiency Ratings	
EER2	11.0
SEER2	19.5

Electrical Power Requirements	208 / 230V, 1-Phase, 60 Hz
-------------------------------	----------------------------

Minimum Circuit Ampacity (MCA) *	Breaker Size	MOCP (Outdoor)
Indoor 2 AMP	Outdoor 25 AMP	30 AMP
		31 AMP

*** All electrical work shall comply with National (CEC) and local codes and regulations.**

Indoor Unit		
Fan Motor (ECM)	F.L.A.	0.97
Fan Motor Output	W	160
SHF / Moisture Removal		0.73 / 8.7 pt./h
Field Drainpipe Size O.D.	In.(mm)	1-1/32 (26)

Outdoor Unit		
Compressor		DC INVERTER-driven Twin Rotary
Fan Motor (ECM)	F.L.A.	0.5+0.5
Fan Motor Power	W	74

Airflow Rate (Low-M1-M2-Hi)			
Indoor (Cooling)	DRY	CFM	775-850-920-990
	WET		705-775-850-920
Outdoor	DRY		3,880

Sound Pressure Level		
Indoor (Low-M1-M2-Hi)	dB(A)	37-39-41-43
Outdoor		Cooling

External Dimensions		
Indoor (H x W x D)	In.(mm)	9-1/16 x 63 x 26-3/4 (230 x 1,600 x 680)
Outdoor (H x W x D)		52-11/16 x 41-5/16 x 13 + 1-3/16 (1,338 x 1050 x 330 + 30)

Net Weight		
Indoor	Lbs.(kg)	79 (36)
Outdoor		211 (96)

External Finish	
Indoor	White Munsel No. 6.4Y 8.9/0.4
Outdoor	Ivory Munsell No. 3Y 7.8 / 1.1

Refrigerant	R410A ; 10lbs., 6oz. (4.7kg)
-------------	------------------------------

Refrigerant Piping (Flared)		
Liquid (High Pressure)	In.(mm)	3/8 (9.52)
Gas (Low Pressure)		5/8 (15.88)
Maximum Total Refrigerant Pipe Length	Ft. (m)	225 (69)
Maximum Vertical Separation	Ft. (m)	100 (30)

Specifications are subject to change without notice.

Should this document be altered or changed without MESCA's permission, it becomes null and void. MESCA assumes no responsibility for any consequences in such cases.

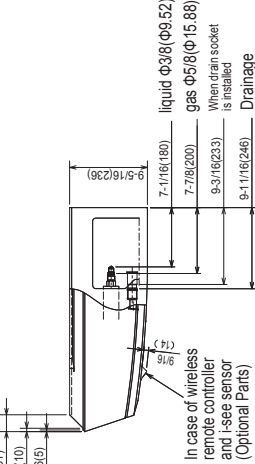
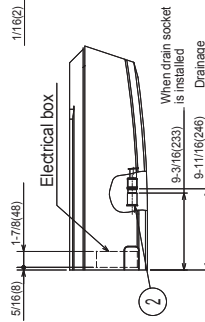
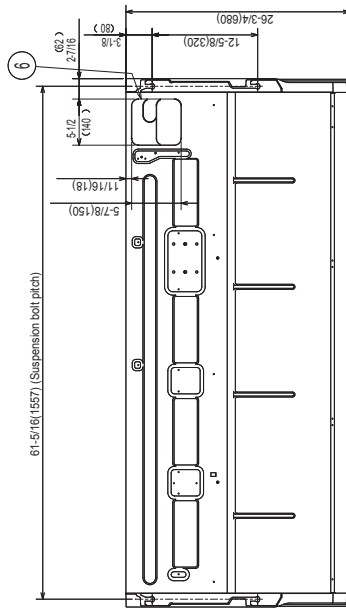
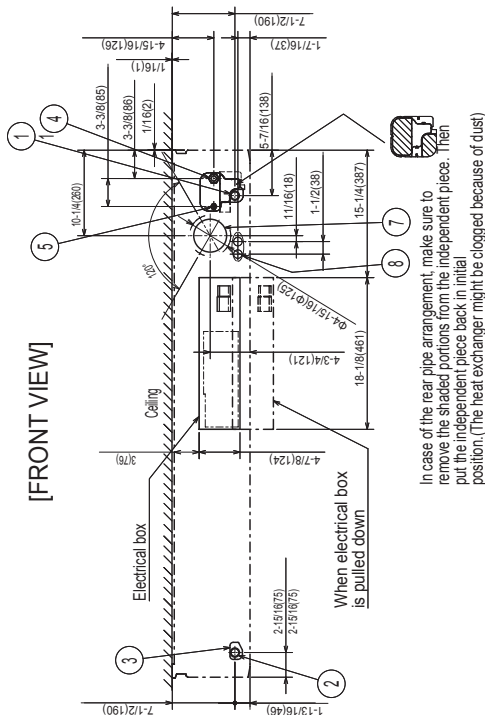
DIMENSIONS: PCA-A36KA8

Unit: in. (mm)

NOTES.

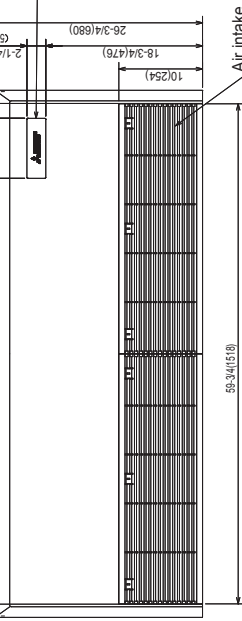
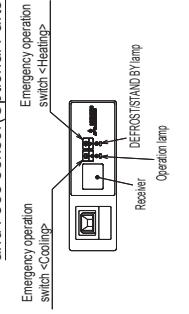
1. Use M10 or W3/8 screw for anchor bolt.
2. Please be sure when installing the drain pump (option parts), refrigerant pipe will be only upward.

[FRONT VIEW]



- ① Drainage pipe connection(1/28mm)I.D.)
 - ② Drainage pipe connection(for the left arrangement)
 - ③ Knockout hole for left drain-piping arrangement
 - ④ Refrigerant-pipe connection (gas pipe side/flared connection)
 - ⑤ Refrigerant-pipe connection (liquid pipe side/flared connection)
 - ⑥ Knockout hole for upper drain pipe arrangement
 - ⑦ Knockout hole for fresh air intake Φ3-15/16(Φ100)
 - ⑧ Knockout hole for wiring arrangement Φ7/8(Φ22)
- Accessory...Drain socket (1/28mm)I.D.)

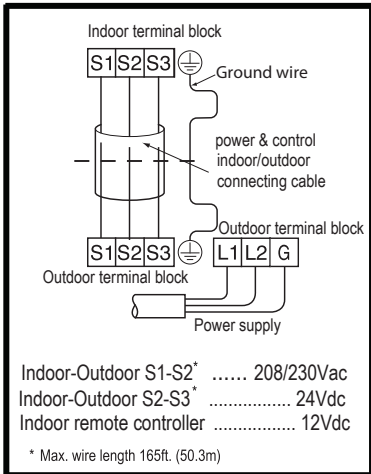
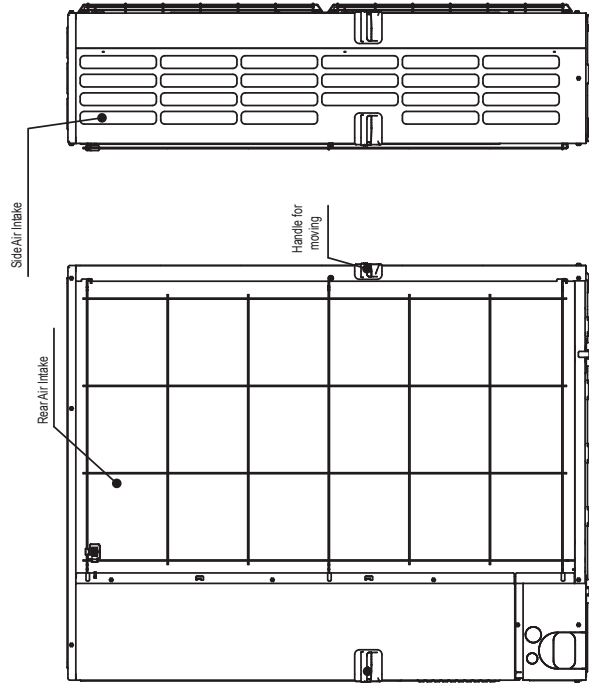
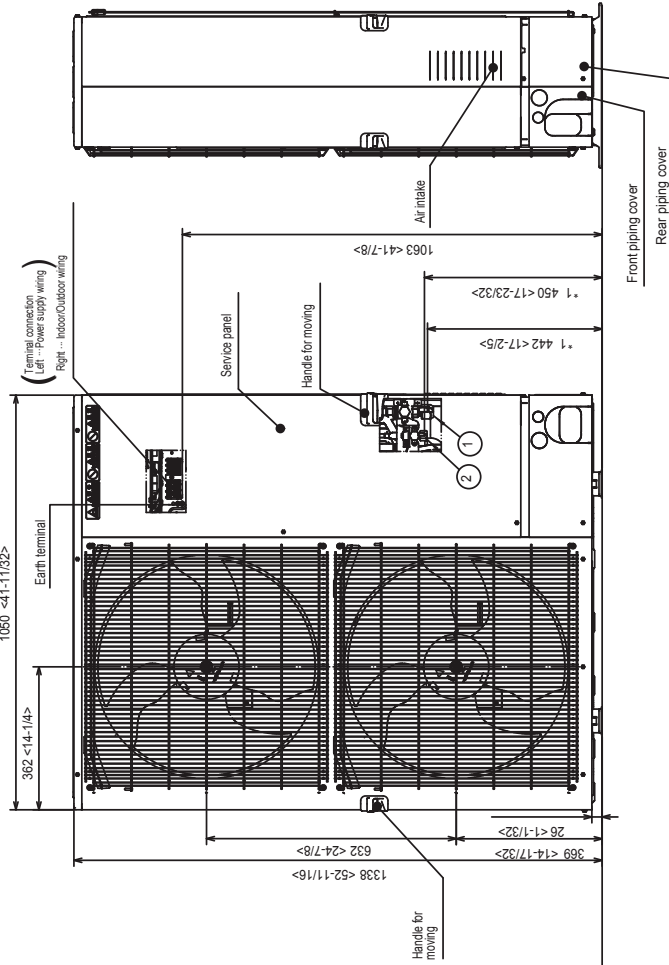
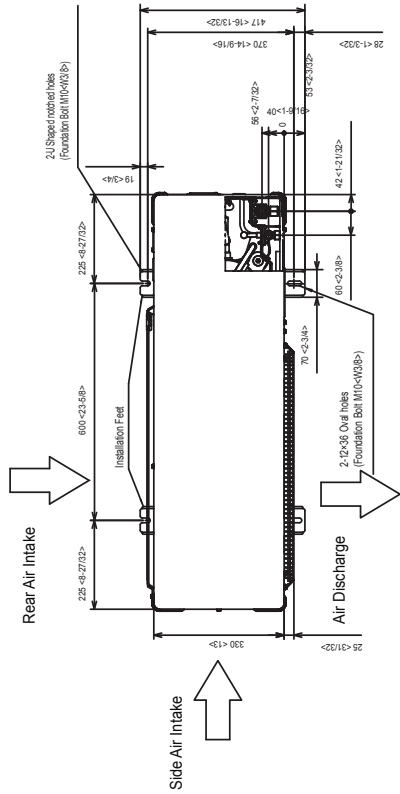
In case of wireless remote controller and I-see sensor(Optional Parts)



Should this document be altered or changed without MESCA's permission, it becomes null and void. MESCA assumes no responsibility for any consequences in such cases.

DIMENSIONS: PUY-A36KA7

Unit: mm (in.)



Example of Notes

- ① ... Refrigerant GAS pipe connection (FLARE) ø15.88(5/8F)
- ② ... Refrigerant LIQUID pipe connection (FLARE) øø.52(3/8F)
- *1 ... Indication of STOP VALVE connection location.

Should this document be altered or changed without MESCA's permission, it becomes null and void. MESCA assumes no responsibility for any consequences in such cases.

