

SUBMITTAL DATA: PKA-A24KA7 & PUZ-A24NHA7
24,000 BTU/H WALL-MOUNTED HEAT PUMP SYSTEM

Job Name:	Engineer:
Purchaser:	Application:
Submitted To:	For: <input type="checkbox"/> Reference <input type="checkbox"/> Approval <input type="checkbox"/> Construction
Submitted By:	Location:
System Designation:	Schedule No.:



Indoor Unit: PKA-A24KA7



Outdoor Unit: PUZ-A24NHA7 (-BS)

UNIT OPTION:

Standard Model.....PUZ-A24NHA7
Seacoast (BS) Model.....PUZ-A24NHA7-BS

ACCESSORIES:

Indoor

Controls

External Heater Adaptor (PAC-SE59RA-E)

- Wireless Controller (MHK1)
- Advanced Wired Controller (PAR-32MAA / PAR-33MAA)
- Simple Wired Controller (PAC-YT53CRAU)
- Wireless Remote Controller (PAR-FL32MA)
- Thermostat Interface (PAC-US444CN)
- M-NET Adapter (PAC-SF83MA-E)

Outdoor Unit

- Front Wind Guard (PFR-24-30)
- Rear Wind Guard (PRE-24-30)
- Side Wind Guard (PSD-24-30)

Note: Mitsubishi Electric (MESCA) supports the use of only MESCA supplied and approved Snow Guard / Wind Deflectors / Windscreens and accessories for proper functioning of the unit(s). Use of non-MESCA supported Snow Guard / Wind Deflectors / Windscreens and accessories will affect warranty coverage.

SPECIFICATIONS:

Rated Conditions (Capacity / Input)*		
Cooling	Btu/h / W	24,000 / 1,960
Heating at 47° F	Btu/h / W	26,000 / 1,750
Heating at 17° F	Btu/h / W	15,700 / 1,750

* Rating Conditions per AHRI Standard:
Cooling | Indoor: 80° F (27° C)DB / 67° F (19° C)WB; Outdoor: 95° F (35° C)DB / 75° F (24° C)WB
Heating at 47° F | Indoor: 70° F (21° C)DB / 60° F (16° C)WB; Outdoor: 47° F (8° C)DB / 43° F (6° C)WB
Heating at 17° F | Indoor: 70° F (21° C)DB / 60° F (16° C)WB; Outdoor: 17° F (-8° C)DB / 15° F (-9° C)WB

Capacity Range		
Cooling	Btu/h	10,000 - 24,000
Heating at 47° F	Btu/h	9,000 - 28,000

Operating Range	
Cooling	0°F** (-18°C) to 115°F (46°C) DB
Heating	-4°F (-20°C) to 70°F (21°C) DB

** Windscreens required for cooling operation below 23°F (-5°C)

AHRI Efficiency Ratings	
EER	12.2
SEER	21.4
HSPF IV / V	11.0 / 8.2
COP at 47° F	4.35
COP at 17° F	2.62

Specifications are subject to change without notice.

Electrical Power Requirements	208 / 230V, 1-Phase, 60 Hz
-------------------------------	----------------------------

Minimum Circuit Ampacity (MCA) *		Breaker Size	MOCP (Outdoor)
Indoor 1 AMP	Outdoor 19 AMP	25 AMP	26 AMP

***All electrical work shall comply with National (CEC) and local codes and regulations.**

Indoor Unit		
Fan Motor (ECM)	F.L.A.	0.36
Fan Motor Output	W	56
SHF / Moisture Removal		0.77 / 5.0 pt./h
Field Drainpipe Size O.D	in. (mm)	5/8 (16)

Outdoor Unit		
Compressor		DC INVERTER-driven Twin Rotary
Fan Motor (ECM)	F.L.A.	0.4
Fan Motor Power	W	86

Airflow Rate (Low-Mid-Hi)			
Indoor (Cooling)	DRY	CFM	635-705-775
	WET		570-635-700
Outdoor	DRY		1,940

Sound Pressure Level			
Indoor (Low-Mid-Hi)		39-42-45	
Outdoor	Cooling	dB(A)	47
	Heating		48

External Dimensions		
Indoor (H x W x D)	In.(mm)	14 3/8 x 46 1/16 x 11 5/8 (365 x 1170 x 295)
Outdoor (H x W x D)		37-1/8 x 37-13/32 x 13 + 1-3/16 (943 x 950 x 330 + 30)

Net Weight		
Indoor	Lbs.(kg)	46 (21)
Outdoor		153 (69)

External Finish	
Indoor	White Munsel No. 1.0Y 9.2/0.2
Outdoor	Ivory Munsel No. 3Y 7.8 / 1.1

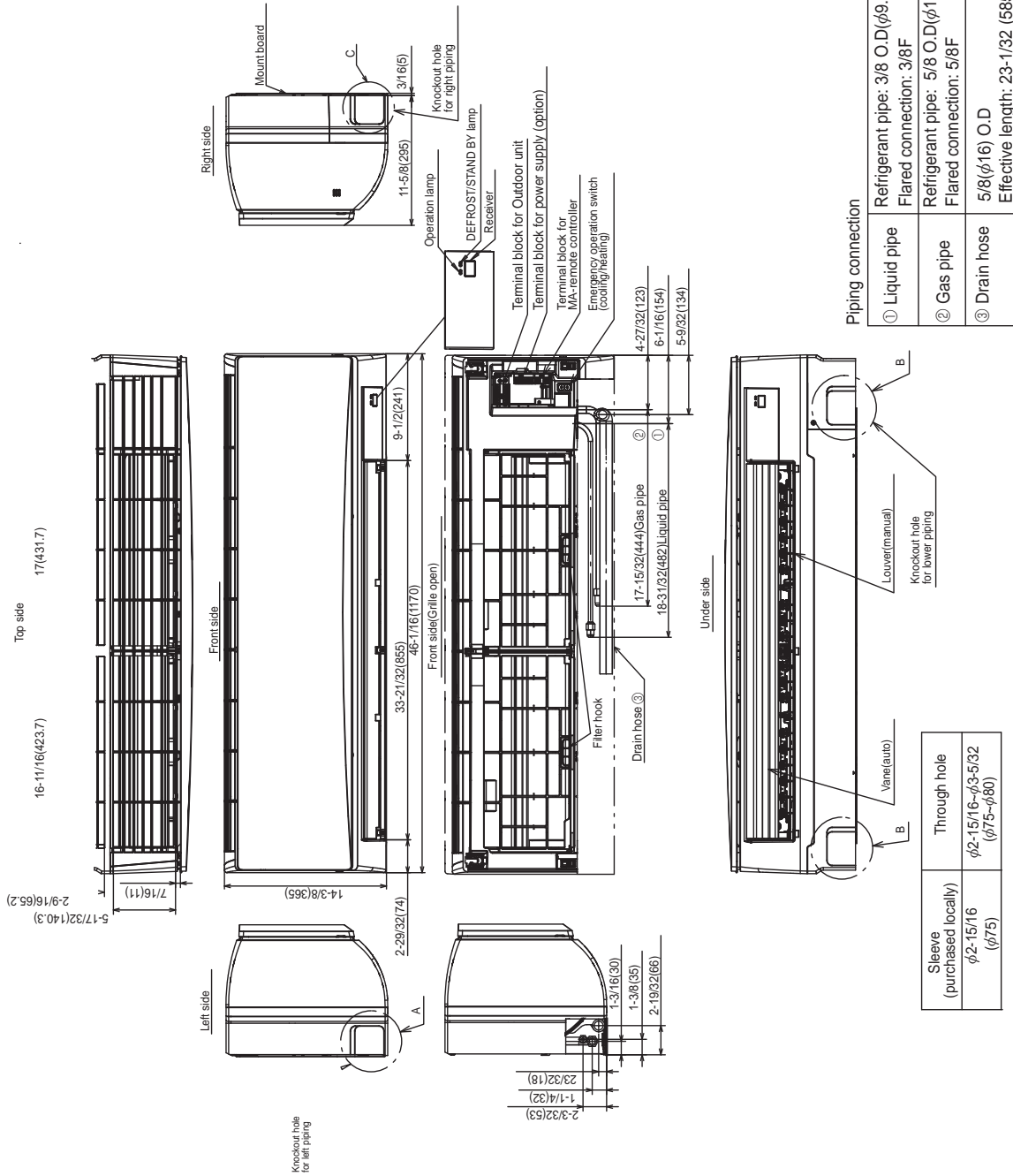
Refrigerant	R410A ; 7lbs., 11oz. (3.5kg)
-------------	------------------------------

Refrigerant Piping (Flared)		
Liquid (High Pressure)	In.(mm)	3/8 (9.52)
Gas (Low Pressure)		5/8 (15.88)
Maximum Total Refrigerant Pipe Length	Ft. (m)	165 (50)
Maximum Vertical Separation	Ft. (m)	100 (30)

Should this document be altered or changed without MESCA's permission, it becomes null and void. MESCA assumes no responsibility for any consequences in such cases.

DIMENSIONS: PKA-A24KA7

Unit: in. (mm)



Piping connection

① Liquid pipe	Refrigerant pipe: 3/8 O.D.(φ9.52) Flared connection: 3/8F
② Gas pipe	Refrigerant pipe: 5/8 O.D.(φ15.88) Flared connection: 5/8F
③ Drain hose	5/8(φ16) O.D. Effective length: 23-1/32 (585)

Sleeve (purchased locally)	Through hole
φ2-15/16 (φ75)	φ2-15/16-φ3-5/32 (φ75-φ80)

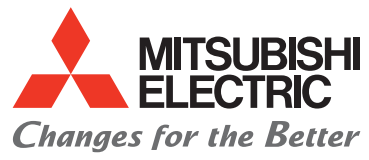
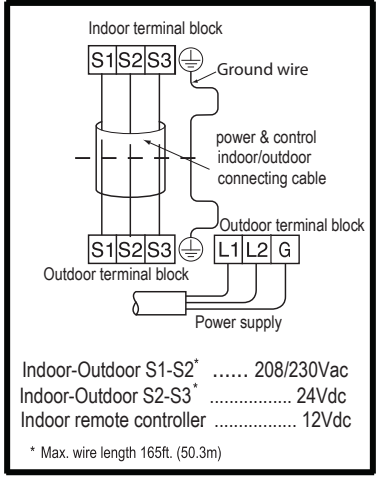
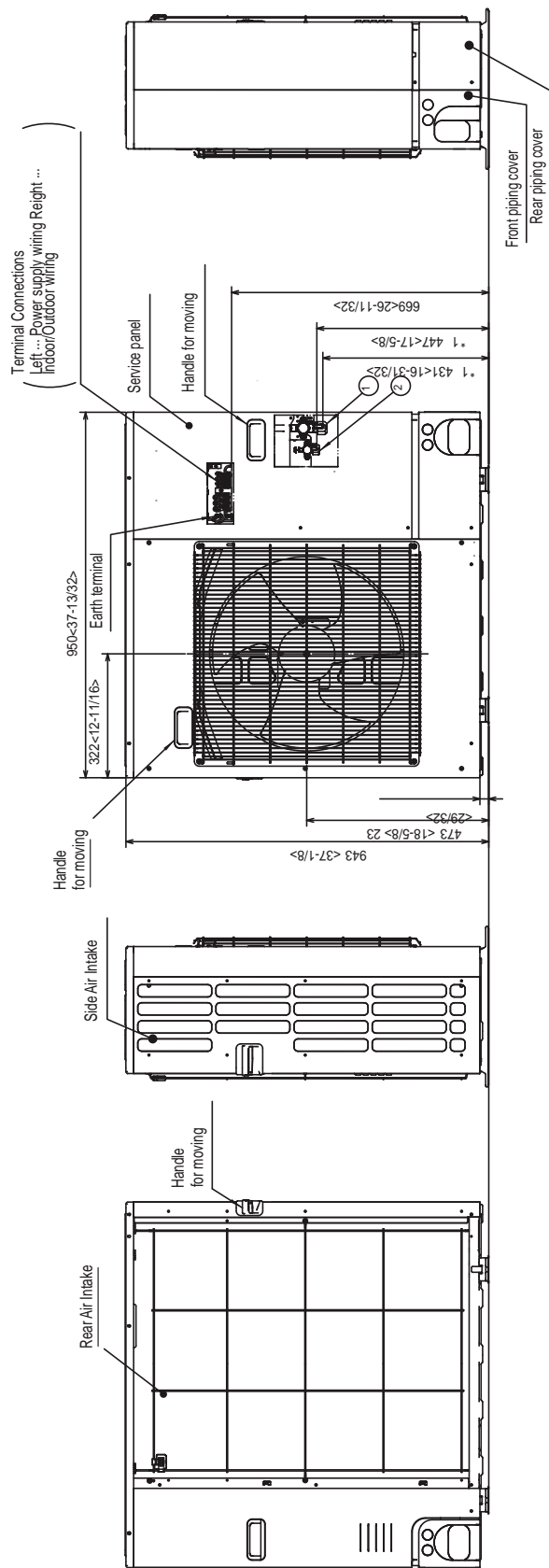
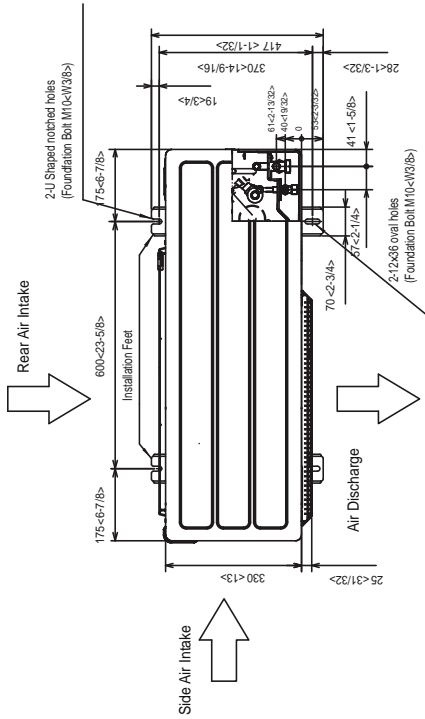
Specifications are subject to change without notice.

Should this document be altered or changed without MESCA's permission, it becomes null and void. MESCA assumes no responsibility for any consequences in such cases.

DIMENSIONS: PUZ-A24NHA7

Should this document be altered or changed without MESCA's permission, it becomes null and void. MESCA assumes no responsibility for any consequences in such cases.

Unit: mm (in.)



for a greener tomorrow



Specifications are subject to change without notice.
www.MitsubishiElectric.ca
© 2016 Mitsubishi Electric Sales Canada Inc.