

SUBMITTAL DATA: PKA-A36KA8 & PUZ-A36NKA7
36,000 BTU/H WALL-MOUNTED HEAT PUMP SYSTEM

Job Name:	Engineer:
Purchaser:	Application:
Submitted To:	For: <input type="checkbox"/> Reference <input type="checkbox"/> Approval <input type="checkbox"/> Construction
Submitted By:	Location:
System Designation:	Schedule No.:



UNIT OPTION:

Standard Model.....PUZ-A36NKA7

ACCESSORIES:

Indoor

Controls

External Heater Adaptor (PAC-SE59RA-E)

- Wireless Controller (MHK2)
- Advanced Wired Controller (PAR-41MAAU)
- Simple Wired Controller (PAC-YT53CRAU)
- Wireless Remote Controller (PAR-FL32MA)
- Interface Module (RMF-CA200)
- M-NET Adapter (PAC-SF83MA-E)

Outdoor Unit

- Rear Snow Guard (SG-1-RE)
- Side Snow Guard (SG-1-SD)
- Front Wind Deflector (x2 required) (CM-S-FR-NKMU)
- Front Wind Blocker (x2 per box) (CM-S-BLK-NKMU)

Note: Mitsubishi Electric (MESCA) supports the use of only MESCA supplied and approved Snow Guard / Wind Deflectors / Windscreens and accessories for proper functioning of the unit(s). Use of non-MESCA supported Snow Guard / Wind Deflectors / Windscreens and accessories will affect warranty coverage.

SPECIFICATIONS:

Rated Conditions (Capacity / Input)*		
Cooling	Btu/h / W	36,000 / 3,330
Heating at 47° F	Btu/h / W	40,000 / 2,460
Heating at 17° F	Btu/h / W	22,400 / 2,610

* Rating Conditions per AHRI Standard:
Cooling | Indoor: 80° F (27° C)DB / 67° F (19° C)WB; Outdoor: 95° F (35° C)DB / 75° F (24° C)WB
Heating at 47° F | Indoor: 70° F (21° C)DB / 60° F (16° C)WB; Outdoor: 47° F (8° C)DB / 43° F (6° C)WB
Heating at 17° F | Indoor: 70° F (21° C)DB / 60° F (16° C)WB; Outdoor: 17° F (-8° C)DB / 15° F (-9° C)WB

Capacity Range		
Cooling	Btu/h	16,000 - 36,000
Heating at 47° F	Btu/h	18,200 - 40,000

Operating Range	
Cooling	0°F** (-18°C) to 115°F (46°C) DB
Heating	-4°F (-20°C) to 70°F (21°C) DB

** Windscreens required for cooling operation below 23°F (-5°C)

AHRI Efficiency Ratings	
EER	10.8
SEER	19.4
HSPF IV / V	8.4 / 7.0
COP at 47° F	4.52
COP at 17° F	2.51

Specifications are subject to change without notice.

Electrical Power Requirements	208 / 230V, 1-Phase, 60 Hz
-------------------------------	----------------------------

Minimum Circuit Ampacity (MCA) *	Breaker Size	MOCP (Outdoor)
Indoor 1 AMP	Outdoor 25 AMP	30 AMP / 31 AMP

***All electrical work shall comply with National (CEC) and local codes and regulations.**

Indoor Unit		
Fan Motor (ECM)	F.L.A.	0.57
Fan Motor Output	W	56
SHF / Moisture Removal		0.70 / 9.7 pt./h
Field Drainpipe Size O.D	in. (mm)	5/8 (16)

Outdoor Unit		
Compressor		DC INVERTER-driven Twin Rotary
Fan Motor (ECM)	F.L.A.	0.5+0.5
Fan Motor Power	W	74

Airflow Rate (Low-Mid-Hi)			
Indoor (Cooling)	DRY	CFM	705-810-920
	WET		635-730-830
Outdoor	DRY		3,880

Sound Pressure Level			
Indoor (Low-Mid-Hi)	Cooling	dB(A)	43-46-49
			Heating
Outdoor	Heating		53

External Dimensions		
Indoor (H x W x D)	In.(mm)	14 3/8 x 46 1/16 x 11 5/8 (365 x 1170 x 295)
Outdoor (H x W x D)		52-11/16 x 41-5/16 x 13 + 1-3/16 (1,338 x 1050 x 330 + 30)

Net Weight	
Indoor	Lbs.(kg) 46 (21)
Outdoor	214 (97)

External Finish	
Indoor	White Munsel No. 1.0Y 9.2/0.2
Outdoor	Ivory Munsell No. 3Y 7.8 / 1.1

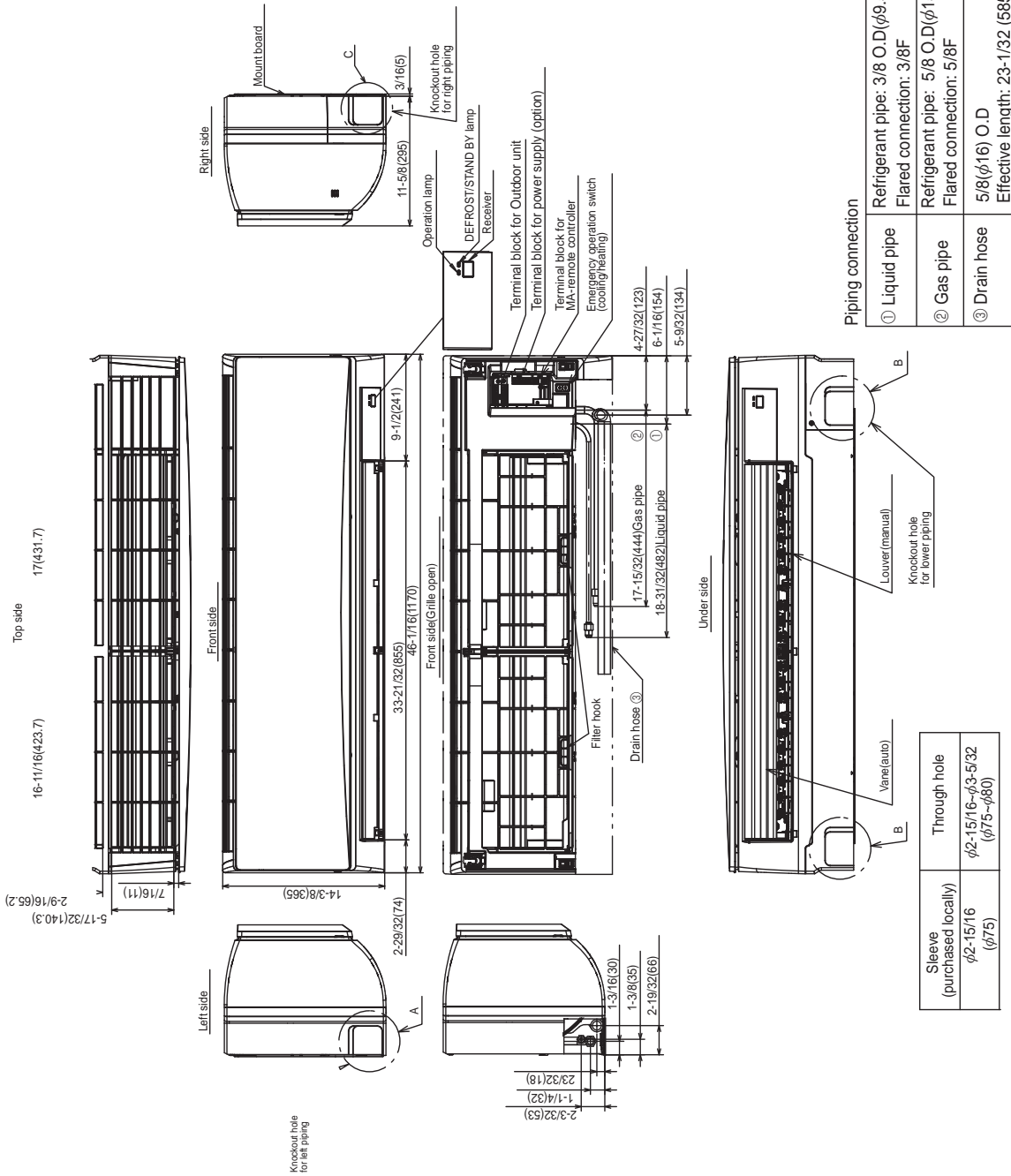
Refrigerant	R410A ; 10lbs., 6oz. (4.7kg)
-------------	------------------------------

Refrigerant Piping (Flared)		
Liquid (High Pressure)	In.(mm)	3/8 (9.52)
Gas (Low Pressure)		5/8 (15.88)
Maximum Total Refrigerant Pipe Length	Fl. (m)	165 (50)
Maximum Vertical Separation	Fl. (m)	100 (30)

Should this document be altered or changed without MESCA's permission, it becomes null and void. MESCA assumes no responsibility for any consequences in such cases.

DIMENSIONS: PKA-A36KA8

Unit: in. (mm)



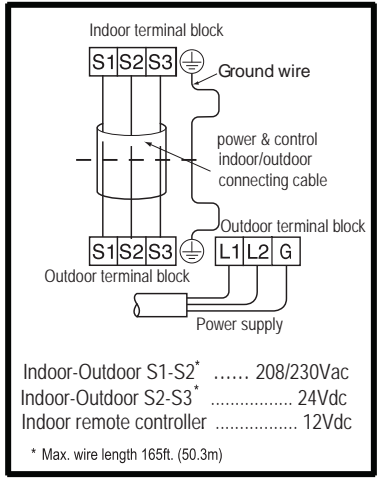
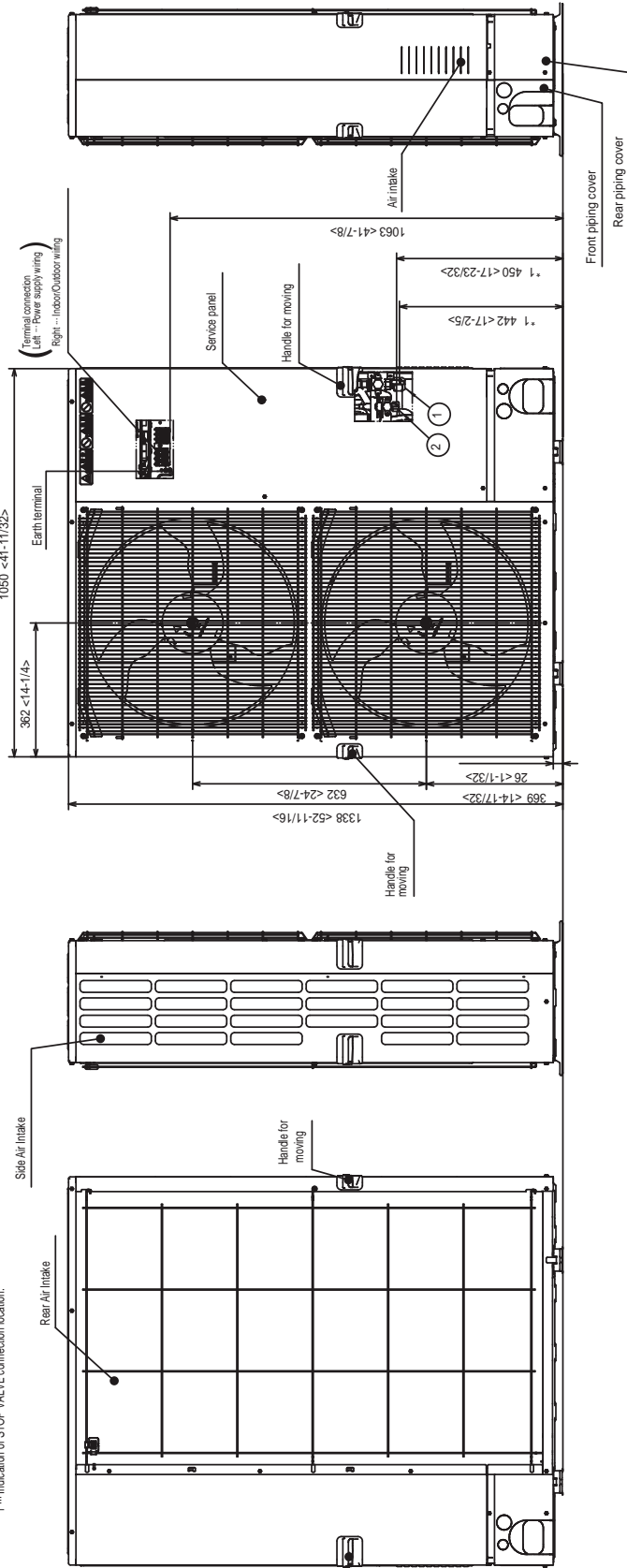
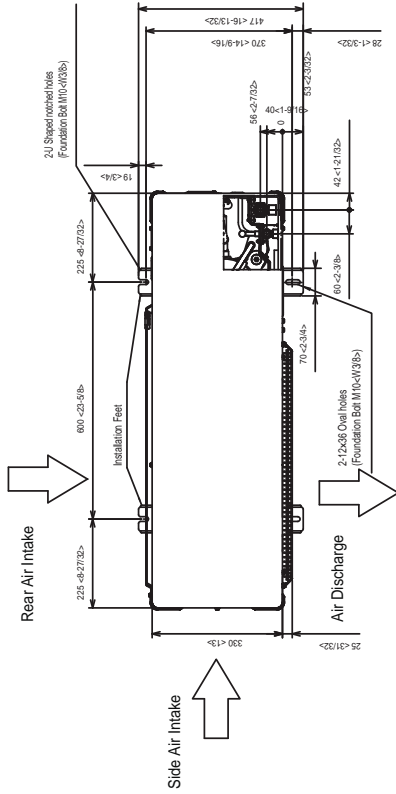
Specifications are subject to change without notice.

Should this document be altered or changed without MESCA's permission, it becomes null and void. MESCA assumes no responsibility for any consequences in such cases.

DIMENSIONS: PUZ-A36KA7

Unit: mm (in.)

Should this document be altered or changed without MESCA's permission, it becomes null and void. MESCA assumes no responsibility for any consequences in such cases.



Example of Notes

① Refrigerant GAS pipe connection (FLARE) ϕ 15.88(5/8F)

② Refrigerant LIQUID pipe connection (FLARE) ϕ 13.32(3/8F)

① ... indication of STOP VALVE connection location.

