

Job Name:	Location:
Schedule Reference:	Submitted By:
Submitted To:	Reference: Approval: Construction:
Engineer:	Date: Application:



Images provided for reference purposes only

- HVRF Fan Coil Unit designed specifically for use with CITY MULTI outdoor units
- Dual set point functionality ^(*6)
- Multiple fan-speed settings
- Intake grille filter is easily removed for cleaning
- Quiet operation
- IT Terminal

Specifications:

Power source		1-phase 208/230 V 60 Hz		
MCA / MOP		0.33 / 15		
Cooling capacity	*1	BTU/h	24,000	
	*1	kW	7.0	
		Power input kW	0.05	
		Current input A	0.56	
Heating capacity	*2	BTU/h	27,000	
	*2	kW	7.9	
		Power input kW	0.05	
		Current input A	0.50	
External finish		Plastic, MUNSELL (1.0Y 9.2/0.2)		
External dimension H × W × D		inch	14-3/8 x 46-1/16 x 11-5/8	
		mm	365×1170×295	
Net weight		lbs (kg)	44(20)	
Heat exchanger		Cross fin (Aluminum fin and copper tube)		
		Water Volume	L	
			2.0	
FAN	Type × Quantity		Line flow fan x 1	
	External static press.		in.WG	0.0
			Pa	0.0
	Motor Type		DC motor	
	Motor output		kW	0.069
	Driving mechanism		Direct-driven	
	Air flow rate		(Low-High)	
			cfm	636-777
m ³ /min			18-22	
		L/s	300-367	
Sound pressure level (measured in anechoic room)		(Low-High)		
		dB <A>	39-45	
Insulation material		Polyethylene sheet		
Air filter		PP honeycomb		
Protection device		Fuse		
Refrigerant control device		-		
Connectable HBC controller		CMB-WP-NU-AA, CMB-WP-NU-AB		
Water piping diameter ^{*3,4}				
Connection size		Inlet	mm O.D.	
		Outlet	mm O.D.	
Field pipe size		Inlet	mm I.D. [in I.D.]	
		Outlet	mm I.D. [in I.D.]	
Field drain pipe size		inch (mm)	I.D.5/8 (16)	

Model No.	Description: (Optional Accessories)
------------------	--

PAC-YU25HT	External Heater Adapter
PAC-SK01DM-E	Drain pump

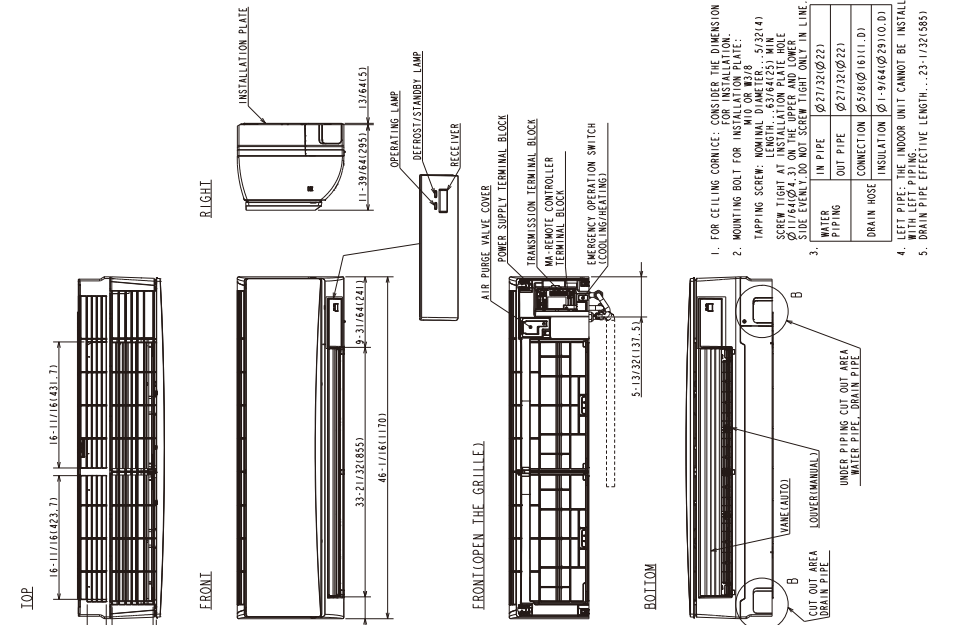
Notes:

1. Nominal cooling conditions
 Indoor: 80°F D.B./67°F W.B. (26.7°C D.B./19.4°C W.B.), Outdoor: 95°F D.B. (35°C D.B.)
 Pipe length: 25 ft. (7.6 m), Level difference: 0 ft. (0 m)
2. Nominal heating conditions
 Indoor: 70°F D.B. (21.1°C D.B.), Outdoor: 47°F D.B./43°F W.B. (8.3°C D.B./6.1°C W.B.)
 Pipe length: 25 ft. (7.6 m), Level difference: 0 ft. (0 m)
3. Be sure to install a valve on the water inlet/outlet. Install an automatic air vent.
4. Install a strainer (40 mesh or more) on the pipe next to the valve to remove the foreign matters.
5. Ventilation air to be introduced independent of or in series with HVRF indoor units. Please refer to local codes for the required ventilation rates specific to the application.
6. All components of the system must be compatible.
7. Applications should be restricted to comfort heating and cooling only; process/equipment heating and cooling applications are not recommended.
8. Mitsubishi Electric Sales Canada Inc. (MESCA) supports the use of only MESCA supplied and approved components and accessories for proper functioning of the unit(s).
9. Should any person change this document in any manner whatsoever without MESCA's written permission, the document shall be of no force and effect and any change shall be deemed to be a representation and warranty made by that person and not MESCA. That person, and not MESCA, shall assume full responsibility for the consequences of such changes.

MESCA assumes no responsibility for any consequences in such cases.

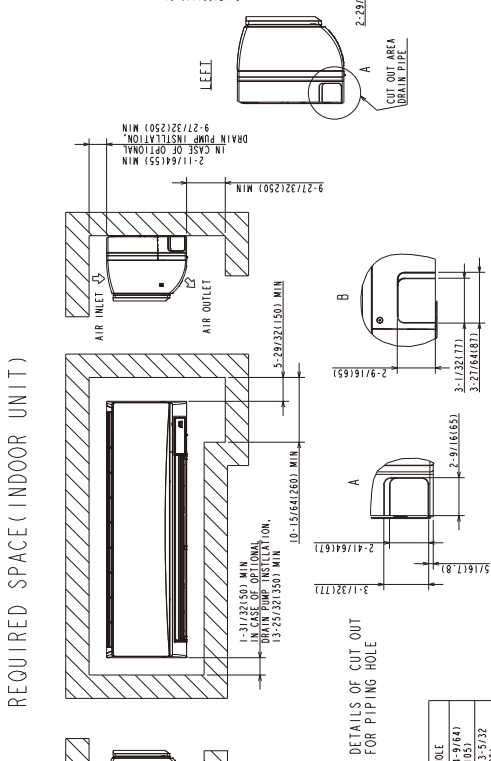
Indoor Unit Outline and Dimensions:

Unit : in (mm)



1. FOR CEILING CONDUIT, CONSIDER THE DIMENSION FOR INSTALLATION.
2. MOUNTING BOLT FOR INSTALLATION PLATE:
TAPPING SCREW: NOMINAL DIAMETER: 5/32(4)
SCREW LENGTH: 5/32(4)+3/16(1.5) MIN
Ø11/64(Ø3.0) ON THE UPPER AND LOWER SIDE EVENT, DO NOT SCREW TIGHT ONLY IN LINE.
3.

WATER PIPING	Ø27/32(Ø22)
CONNECTION	Ø25/16(Ø16.1)
INSULATION	Ø1-9/64(Ø29.1)
4. LEFT PIPE: THE INDOOR UNIT CANNOT BE INSTALLED WITH LEFT PIPING.
5. DRAIN PIPE EFFECTIVE LENGTH: ...23-1/32(585)



DETAILS OF CUT OUT FOR PIPING HOLE

SLEEVE THROUGH HOLE	Ø
Ø3-5/16	Ø7-15/16(Ø4-9/64)
Ø100	Ø105(Ø105)
Ø2-9/16	Ø3-5/32(Ø15-Ø88)

