

Job Name:

Schedule Reference:

Date:



VRF HEAT PUMP WITH HEAT RECOVERY SYSTEM

UNIT OPTION

- Standard Model PQRV-P240TSLMU-A1

ACCESSORIES

- Twinning Kit ... (Required - sold separately) CMY-Q100CBK2
- BC Controller Main CMB-P108,1012,1016NU-JA1, CMB-P1016NU-KA1
- BC Controller Sub CMB-P104,108NU-KB1
- Joint Adapter (Port Connector > 54,0000 Btu/h)..... CMY-R160-J1
- Branch Joint (Downstream capacity ≤72,000 Btu/h)..... CMY-Y102SS-G2
- Branch Joint (Downstream capacity 73,000-96,000 Btu/h)..... CMY-Y102LS-G2
- T-Branch Joint (145,000 - 234,000 Btu/h) CMY-Y202S-G2
- T-Branch Joint (≥ 235,000 Btu/h) CMY-Y302S-G2
- Branch Joint (Downstream capacity ≤126,000 Btu/h) CMY-R201S-G
- Branch Joint (Downstream capacity 127,000-216,000 Btu/h)..... CMY-R202S-G
- Branch Joint (Downstream capacity 217,000-234,000 Btu/h)..... CMY-R203S-G
- Branch Joint (Downstream capacity 235,000-360,000 Btu/h)..... CMY-R204S-G
- Reducer (Between ODU and BC) CMY-R302S-G1
- Reducer (Between Main and Sub BC)..... CMY-R303S-G1
- Reducer (Between Main and Sub BC)..... CMY-R304S-G1
- Reducer (Between Main and Sub BC)..... CMY-R305S-G1
- Reducer (Between Main and Sub BC)..... CMY-R306S-G

* All electrical work shall comply with National (CEC) and local codes and regulations.

Unit Type		PQRV-P240TSLMU-A1	PQRV-P120TLMU-A1	PQRV-P120TLMU-A1
Nominal Cooling Capacity	Btu/h	240,000	120,000	120,000
Nominal Heating Capacity	Btu/h	270,000	135,000	135,000
External Dimensions (H x W x D)	In. / mm	Refer to Module Data	43-5/16 x 34-11/16 x 21-11/16 / 1,100 x 880 x 550	43-5/16 x 34-11/16 x 21-11/16 / 1,100 x 880 x 550
Net Weight	Lbs. / kg	760 / 344	380 / 172	380 / 172
Electrical Power Requirements	Voltage, Phase, Hertz	Refer to Module Data**	208/230V, 3-phase, 60Hz	
Cooling Power Input	kW	16.89	Refer to System Data	
Heating Power Input	kW	14.58		
Cooling Current (208/230V)	A	52.0 / 47.1	Refer to System Data	
Heating Current (208/230V)	A	44.9 / 40.6		
Minimum Circuit Amp. (MCA)** (*)	A	Refer to Module Data**	29 / 26**	29 / 26**
Maximum Fuse Size**	A	Refer to Module Data**	50 / 45**	50 / 45**
Circulating Water (quality must meet regulations)				
Flow Rate	GPM / L/s	50.8 / 3.2	25.4 / 1.6	25.4 / 1.6
Pressure Drop	psi	6.96	3.48	3.48
Operation Volume Range	GPM / L/s	26.4 - 63.4 / 1.6 - 4	13.2 - 31.7 / 0.8 - 2	13.2 - 31.7 / 0.8 - 2
Maximum Water Pressure	MPa / psi	4 / 580	2 / 290	2 / 290
Water-source Connections (Each for Inlet and Outlet)	In.	Refer to Module Data**	NPT1-1/2 Screw (Install strainer (more than 50 meshes) at water inlet piping of the unit)	
Piping Diameter				
From Twinning Kit to Indoor Units (Brazed) (In. / mm)	Liquid (High Pressure)	7/8 / 22.2(1-1/8 / 28.58)	Refer to System Data	
	Gas (Low Pressure)	1-3/8 / 34.93		
From Modules to Twinning Kit (Brazed) (In. / mm)	Liquid (High Pressure)	Refer to Module Data	3/4 / 19.05	3/4 / 19.05
	Gas (Low Pressure)		7/8 / 22.2	
Indoor Unit	Total Capacity	50 to 150% of WSUs	Refer to System Data	
	Model / Quantity	P06 ~ P96 / 2 to 50		
Sound Pressure Levels	dB(A)	55	54	54
Compressor Operating Range		7- 100%	Refer to System Data	
Compressor Type x Quantity		Refer to Module Data	Inverter-driven Scroll Hermetic x 1	Inverter-driven Scroll Hermetic x 1
Compressor Motor Output	kW		7.7	7.7
Compressor Crankcase Heater	kW		-	-
Refrigerant		Refer to Module Data	R410A	
Lubricant			MEL32	
High-pressure Protection Device		Refer to Module Data	601 psi / 4.15 MPa	601 psi / 4.15 MPa
Compressor / Fan Protection Device			Overheat Protection	Overheat Protection
Inverter Protection Device			Overheat / Overcurrent Protection	Overheat / Overcurrent Protection

Should this document be altered or changed without MESCA's permission, it becomes null and void. MESCA assumes no responsibility for any consequences in such cases.

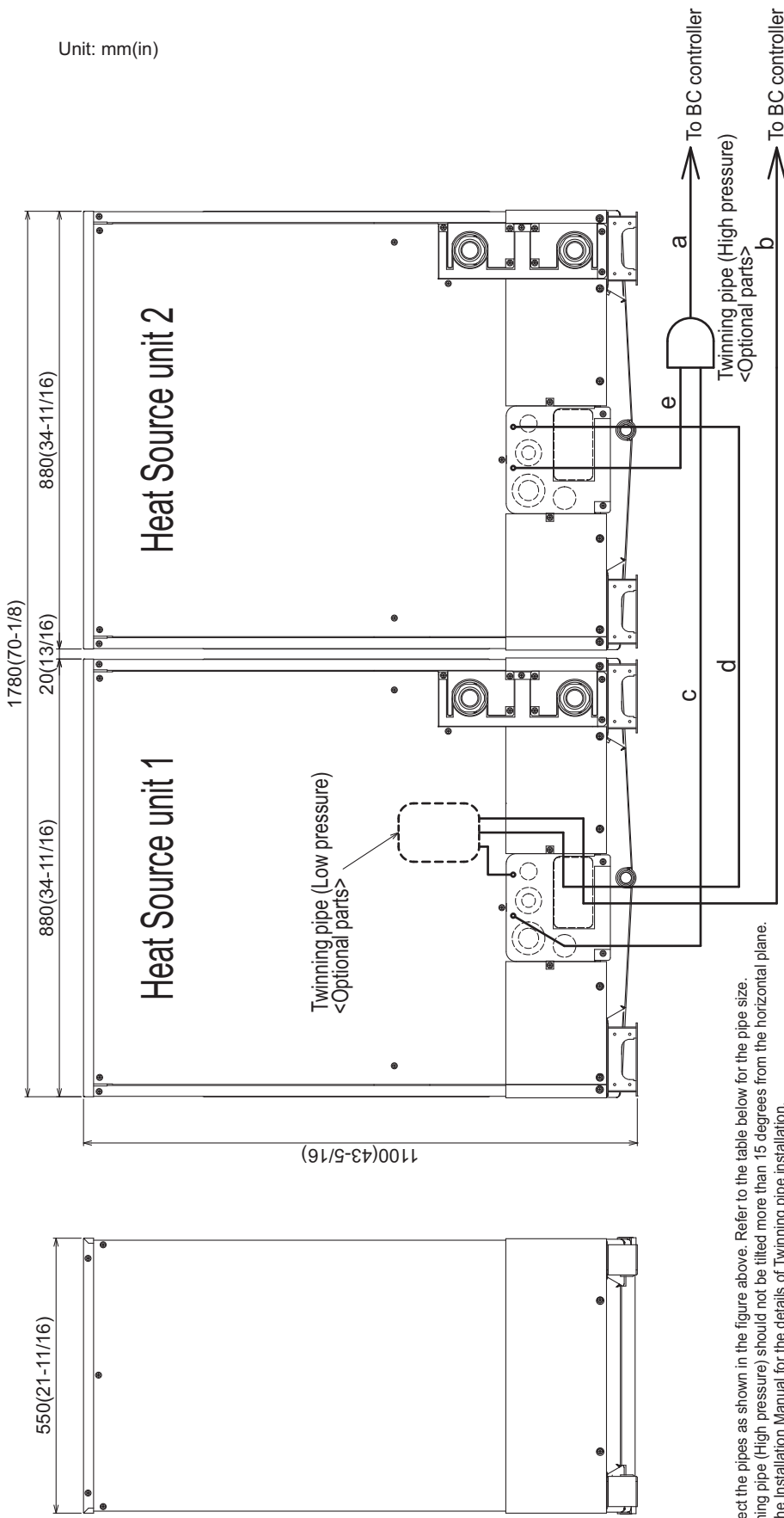
Note: Mitsubishi Electric (MESCA) supports the use of only MESCA supplied and approved accessories for proper functioning of the unit(s). Use of non-MESCA supported accessories will affect warranty coverage.



Specifications are subject to change without notice.

Module: PQRYP240TSLMU-A1 - DIMENSIONS

Unit: mm(in)



- Note 1. Connect the pipes as shown in the figure above. Refer to the table below for the pipe size.
 2. Twinning pipe (High pressure) should not be tilted more than 15 degrees from the horizontal plane.
 3. See the Installation Manual for the details of Twinning pipe installation.
 4. Only use the Twinning pipe by Mitsubishi (optional parts).

Twinning pipe connection size

Package unit name	PQRY-P144TSLMU-A1	PQRY-P168TSLMU-A1	PQRY-P192TSLMU-A1	PQRY-P216TSLMU-A1	PQRY-P240TSLMU-A1
Heat Source unit 1	PQRY-P72TLMU-A1	PQRY-P96TLMU-A1	PQRY-P96TLMU-A1	PQRY-P120TLMU-A1	PQRY-P120TLMU-A1
Heat Source unit 2	PQRY-P72TLMU-A1	PQRY-P72TLMU-A1	PQRY-P96TLMU-A1	PQRY-P96TLMU-A1	PQRY-P120TLMU-A1
Twinning pipe Kit(optional parts)	CMY-Q100CBK2				
High pressure	ø22.2(7/8)				
Low pressure	ø22.2(7/8) *1				
BC controller- Twinning pipe	ø28.58(1-1/8)				
	ø34.93(1-3/8)				

Unit model	High pressure c or e	Low pressure d
P72	ø15.88(5/8) *2	ø19.05(3/4) *2
P96	ø19.05(3/4)	ø22.2(7/8)
P120	ø19.05(3/4)	ø22.2(7/8)

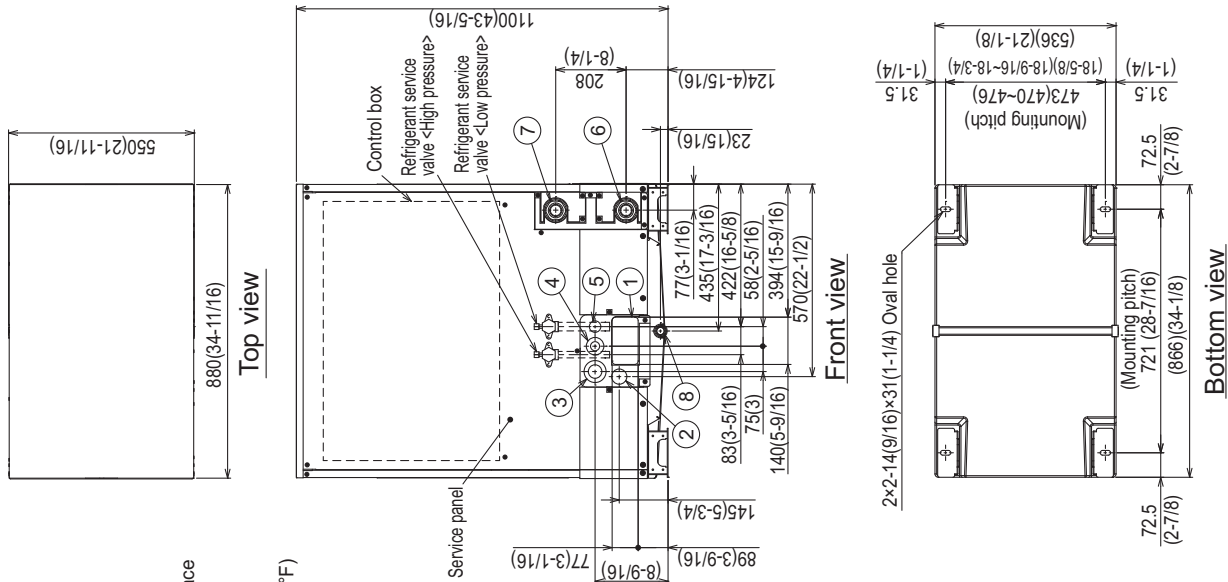
*1. When the piping length is 65 m or longer, use the ø28.58(1-1/8) pipe for the part that exceeds 65 m.
 *2. When the package unit name "PQRY-P168TSLMU-A1", use the ø19.05(3/4) pipe for high pressure and the ø22.2(7/8) pipe for low pressure.

Should this document be altered or changed without MESCA's permission, it becomes null and void. MESCA assumes no responsibility for any consequences in such cases.

Modules: 1, 2 : PQRV-P120TLMU-A1 - DIMENSIONS

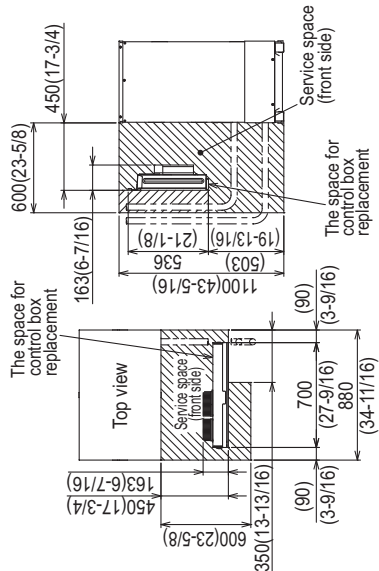
Unit: mm(in)

- <Accessories>
- Refrigerant (high pressure) conn. pipe 1pc. (P72/P96/P120 ; Packaged in the accessory kit)
 - Refrigerant (low pressure) conn. elbow 1pc. (P72/P96/P120 ; Packaged in the accessory kit)
 - Water stopper 1pc. (P72/P96/P120 ; Packaged in the accessory kit)
 - Sealing material for water stopper 1pc. (P72/P96/P120 ; Packaged in the accessory kit)
 - Sealing material for field piping (high pressure, low pressure) 1pc. each (P72/P96/P120 ; Packaged in the accessory kit)
 - Sealing material for drain socket 1pc. (P72/P96/P120 ; Packaged in the accessory kit)
 - Pipe cover for low pressure 1pc. (P72/P96/P120 ; Packaged in the accessory kit)



NO.	Usage	Specifications
①	For pipes	Front through hole (5-9/16) (3-1/16)
②	For pipes	Front through hole (Uses when twinning kit (optional parts) is mounted.) (1-13/16)
③	For wires	Front through hole (2-1/2) (1-3/8)
④	For transmission cables	Front through hole (1-3/4) (7/8)
⑤	For transmission cables	Front through hole (1-3/8)
⑥	Water pipe inlet	NPT1-1/2 Screw
⑦	Water pipe outlet	NPT1-1/2 Screw
⑧	Drain pipe	Rc3/4 Screw

- Note 1. Close a hole of the water piping, the refrigerant piping, the power supply, and the control wiring and unused knockout holes with the putty etc. so as not to infiltrate rain water etc. (field erection work)
- Note 2. At the time of product shipment, the front side piping specification serves as the local drainage connection. When connecting on the rear side, please remove the rear side plug sealing corks, and attach a front side. Ensure there is no leak after the attachment has been fitted.
- Note 3. Take notice of service space as Fig.A. (In case of single installation, 600mm(23-5/8) or more of back space as front space makes easier access when servicing the unit from rear side.)
- Note 4. If water pipes or refrigerant pipes stretch upward, required space for service and maintenance due to replacement of control box is shown in Fig.B.
- Note 5. Environmental condition for installation: -20~40°C(DB) (-4~104°F) as indoor installation.
- Note 6. In case the temperature around the heat source unit has possibility to drop under 0°C(32°F), be careful for the following point to prevent the pipe burst by the water pipe freeze-up.
- Circulate the water all the time even if the heat source unit is not in operation.
 - Drain the water from inside of the heat source unit when the heat source unit will not operate for a long term.
- Note 7. Ensure that the drain piping is downward with a pitch of more than 1/100.
- Note 8. At brazing of pipes, wrap the refrigerant service valve with wet cloth and keep the temperature of refrigerant service valve under 120°C(248°F).



Connecting pipe specifications

Model	Refrigerant pipe		Service valve	
	High pressure	Low pressure	High pressure	Low pressure
PQRV-P72TLMU-A1	ø15.88 Brazed (5/8) *1*2 (3/4) *1*2	ø19.05 Brazed (3/4) *1*2	ø19.05 (3/4)	ø25.4 (1)
PQRV-P96TLMU-A1	ø19.05 Brazed (3/4) *1	ø19.05 Brazed (7/8) *1*2		
PQRV-P120TLMU-A1				

- *1. Connect by using the connecting pipes and elbow that are supplied.
 *2. Use the pipe joint(field supply) and connect to the refrigerant service valve piping.

Should this document be altered or changed without MESCA's permission, it becomes null and void. MESCA assumes no responsibility for any consequences in such cases.

