

SUBMITTAL DATA: PVA-A30AA7 & PUZ-HA30NHA5
30,000 BTU/H AIR HANDLER AIR-CONDITIONING SYSTEM

Job Name:	Engineer:
Purchaser:	Application:
Submitted To:	For: <input type="checkbox"/> Reference <input type="checkbox"/> Approval <input type="checkbox"/> Construction
Submitted By:	Location:
System Designation:	Schedule No.:



Indoor Unit: PVA-A30AA7



Outdoor Unit: PUZ-HA30NHA5

UNIT OPTION:

Standard Model.....PUZ-HA30NHA5

ACCESSORIES:

Indoor Unit

- External Heating Adaptor (PAC-YU25HT)
- Electric Heat Kitsee.....SB_EH_MVZ_PVA_PVfy_SVZ

Controls

- Wireless Controller (MHK1)
- Advanced Wired Controller (PAR-33MAA)
- Simple Wired Controller (PAC-YT53CRAU)
- Wireless Remote Controller (PAR-FL32MA) + Wireless Signal Receiver (PAR-FA32MA)
- Thermostat Interface (PAC-US444CN)
- M-NET Adapter (PAC-SF83MA-E)

Outdoor Unit

- Rear Snow Guard (SG-1-RE)
- Side Snow Guard (SG-1-SD)
- Front Wind Deflector (x2 required) (PE-FR-24-36)

Note: Mitsubishi Electric (MESCA) supports the use of only MESCA supplied and approved Snow Guard / Wind Deflectors / Windscreens and accessories for proper functioning of the unit(s). Use of non-MESCA supported Snow Guard / Wind Deflectors / Windscreens and accessories will affect warranty coverage.

SPECIFICATIONS:

Rated Conditions (Capacity / Input)*		
Cooling	Btu/h / W	28,500 / 2,280
Heating at 47° F	Btu/h / W	32,000 / 2,590
Heating at 17° F	Btu/h / W	32,000 / 4,930

* Rating Conditions per AHRI Standard:
Cooling | Indoor: 80° F (27° C)DB / 67° F (19° C)WB; Outdoor: 95° F (35° C)DB / 75° F (24° C)WB
Heating at 47° F | Indoor: 70° F (21° C)DB / 60° F (16° C)WB; Outdoor: 47° F (8° C)DB / 43° F (6° C)WB
Heating at 17° F | Indoor: 70° F (21° C)DB / 60° F (16° C)WB; Outdoor: 17° F (-8° C)DB / 15° F (-9° C)WB

Capacity Range		
Cooling	Btu/h	18,000 - 30,000
Heating at 47° F	Btu/h	18,000 - 34,000

Operating Range	
Cooling	0° F** to 115° F (-18° C to 46° C) DB
Heating	-13° F to 70° F (-25° C to 21° C) DB

** Windscreens required for cooling operation below 23°F (-5°C)

AHRI Efficiency Rating	
EER	12.5
SEER	17.0
HSPF IV / V	9.7 / 7.5
COP at 47° F	3.62
COP at 17° F	1.90

Specifications are subject to change without notice.

Electrical Power Requirements	208 / 230V, 1-Phase, 60 Hz
-------------------------------	----------------------------

Minimum Circuit Ampacity (MCA) *	Breaker Size	MOCPS (Outdoor)
Indoor 4.13 AMP	Outdoor 28 AMP	30 AMP / 40 AMP

***All electrical work shall comply with National (CEC) and local codes and regulations.**

Blower Motor (ECM)	F.L.A.	3.3
Blower Motor Output	W	244
SHF / Moisture Removal		0.74 / 5.4 pt./h
External Static Pressure	In. WG	0.30-0.50-0.80

Outdoor Unit

Compressor		DC INVERTER-driven Scroll
Fan Motor (ECM)	F.L.A.	0.4 + 0.4
Fan Motor Power	W	86 + 86

Airflow Rate (Low-Mid-Hi)

Indoor (Cooling)	DRY	WET	CFM
			613-744-875
			NA
Outdoor	DRY		3,530

Sound Pressure Level

Indoor (Low-Mid-Hi)		dB(A)
		30-34-38
Outdoor	Cooling	52
	Heating	53

External Dimensions

Indoor (H x W x D)	In.(mm)	54-1/4 x 21 x 21-5/8 (1378 x 534 x 548)
Outdoor (H x W x D)	In.(mm)	53-1/8 x 37-3/8 x 13 + 1-3/16 (1,350 x 950 x 330 + 30)

Net Weight

Indoor	Lbs.(kg)	141 (64)
Outdoor		265 (120)

External Finish

Indoor	Galvanized steel cabinet-Powder coated Slate Grey
Outdoor	Munsell No. 3Y 7.8 / 1.1

Refrigerant	R410A ; 12lbs., 2oz. (5.5kg)
-------------	------------------------------

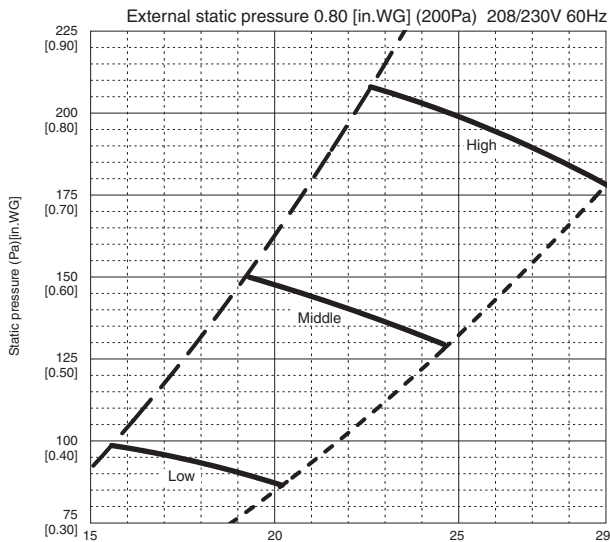
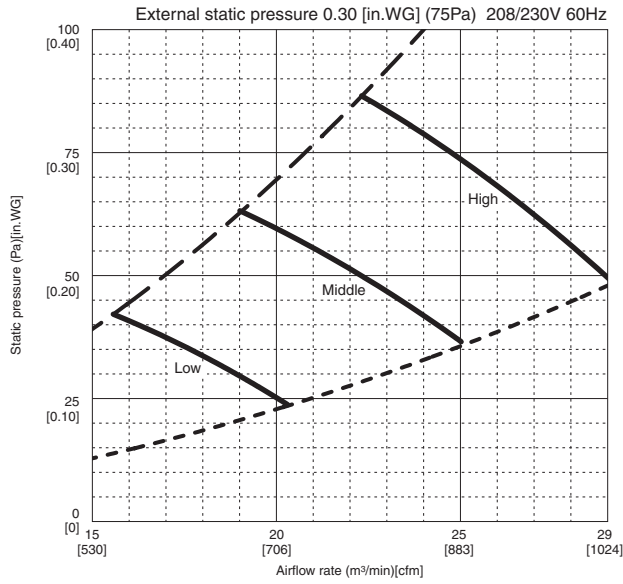
Refrigerant Piping (Flared)

Liquid (High Pressure)	In.(mm)	3/8 (9.52)
Gas (Low Pressure)		5/8 (15.88)
Maximum Total Refrigerant Pipe Length	Fl. (m)	245 (75)
Maximum Vertical Separation	Fl. (m)	100 (30)

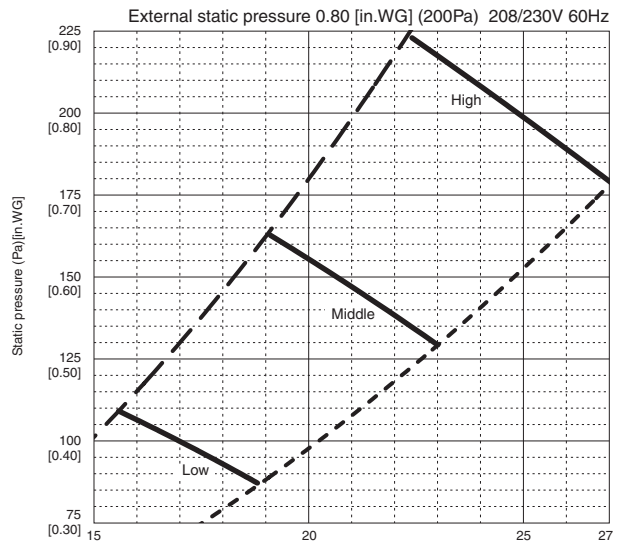
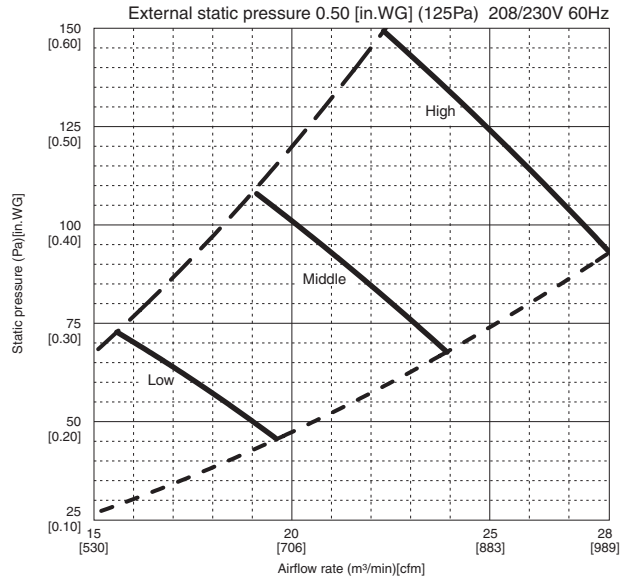
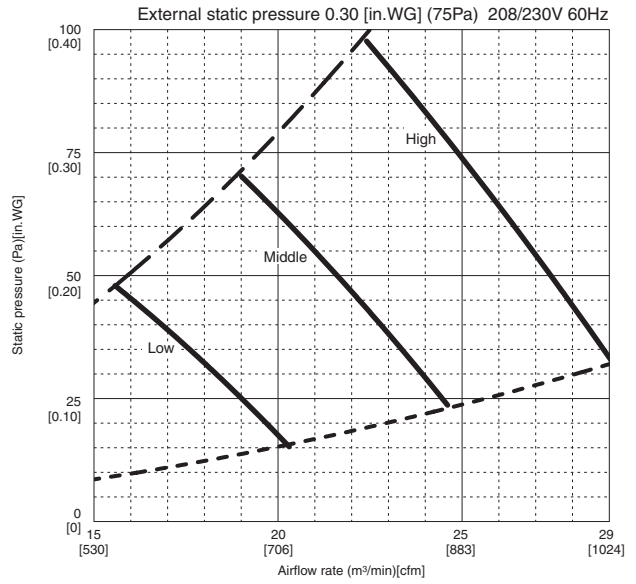
Should this document be altered or changed without MESCA's permission, it becomes null and void. MESCA assumes no responsibility for any consequences in such cases.

FAN PERFORMANCE AND CORRECTED AIR FLOW - PVA-A30AA7

• Vertical, Horizontal Right, Horizontal Left



• Downflow

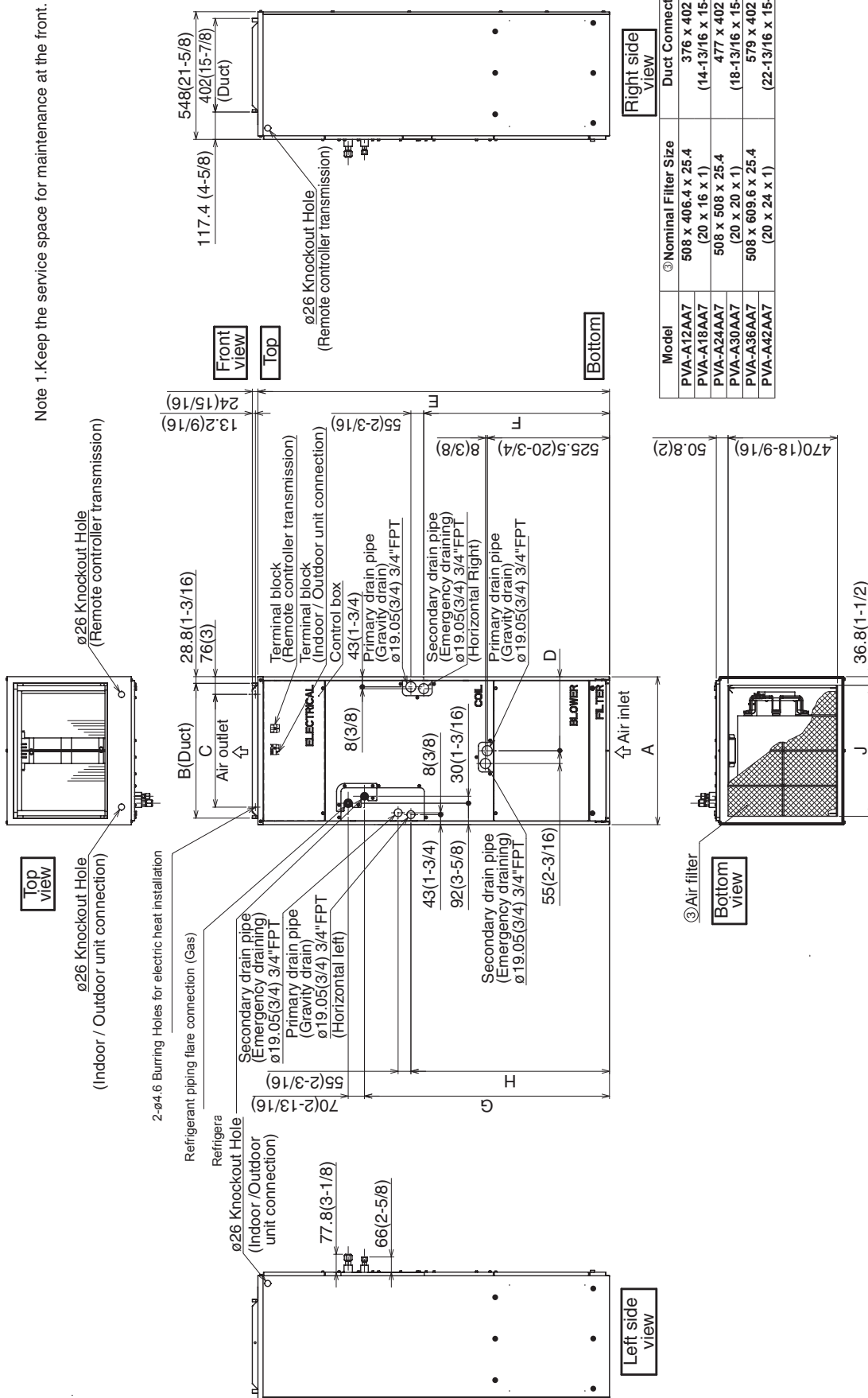


Specifications are subject to change without notice.

Should this document be altered or changed without MESCA's permission, it becomes null and void. MESCA assumes no responsibility for any consequences in such cases.

DIMENSIONS: PVA-A30AA7

Unit: mm (in.)



Note 1. Keep the service space for maintenance at the front.

Model	③ Nominal Filter Size	Duct Connection
PVA-A12AA7	508 x 406.4 x 25.4 (20 x 16 x 1)	376 x 402 (14-13/16 x 15-7/8)
PVA-A18AA7	508 x 508 x 25.4 (20 x 20 x 1)	477 x 402 (18-13/16 x 15-7/8)
PVA-A24AA7	508 x 609.6 x 25.4 (20 x 24 x 1)	579 x 402 (22-13/16 x 15-7/8)

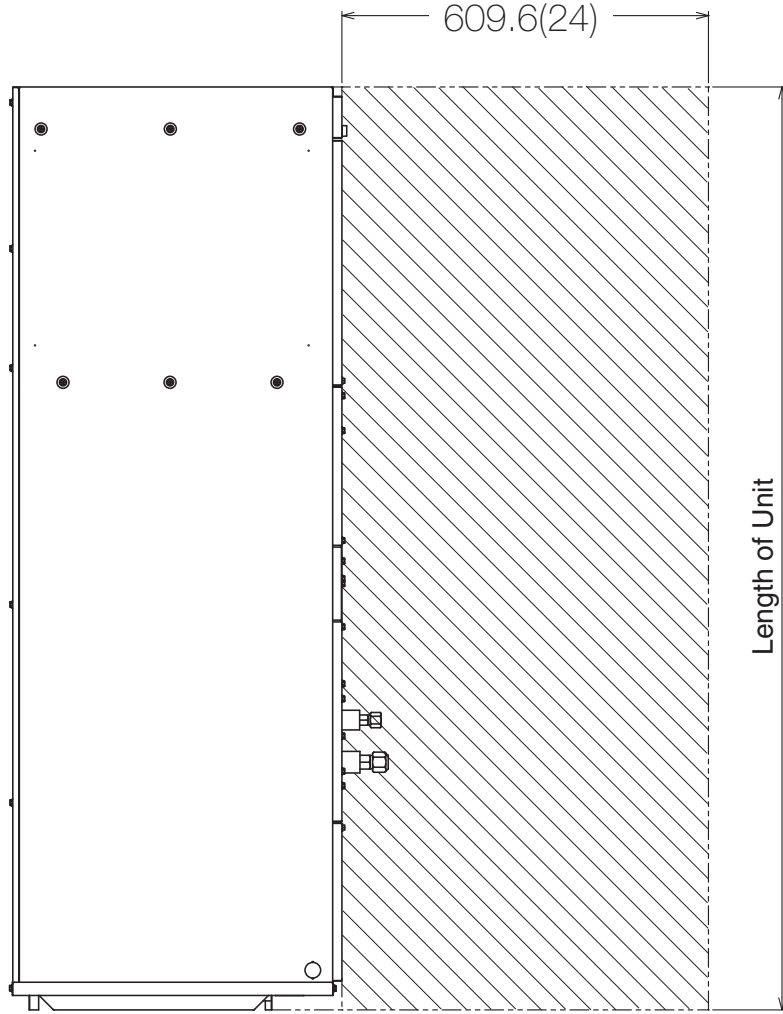
Model	Unit: mm (in.)										
	A	B	C	D	E	F	G	H	J	① Gas Pipe	② Liquid Pipe
PVA-A12AA7	432 (17)	376 (14-13/16)	281 (11-1/8)	224 (8-7/8)	1275 (50-1/4)	680 (26-13/16)	823 (32-7/16)	735.5 (29)	360 (14-3/16)	Φ 12.7 (1/2)	Φ 6.35 (1/4)
PVA-A18AA7	534 (21)	477 (18-13/16)	382.6 (15-1/8)	266.5 (10-1/2)	1378 (54-1/4)	737 (29-1/16)	953.5 (37-9/16)	792 (31-3/16)	461 (18-3/16)	Φ 15.88 (5/8)	Φ 9.52 (3/8)
PVA-A24AA7	635 (25)	579 (22-13/16)	484.6 (19-1/8)	317.5 (12-1/2)	1511 (59-1/2)	798.5 (31-7/16)	1053 (41-1/2)	853.5 (33-5/8)	563 (22-3/16)		

Should this document be altered or changed without MESCA's permission, it becomes null and void. MESCA assumes no responsibility for any consequences in such cases.*

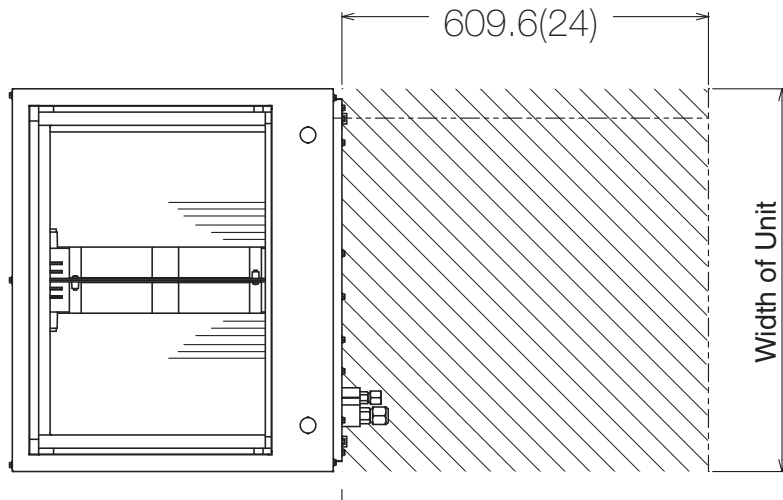
DIMENSIONS: PVA-A30AA7

Unit: mm (in.)

Clearance Area



Horizontal Installation

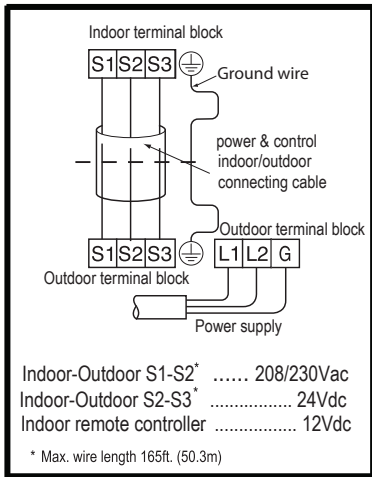
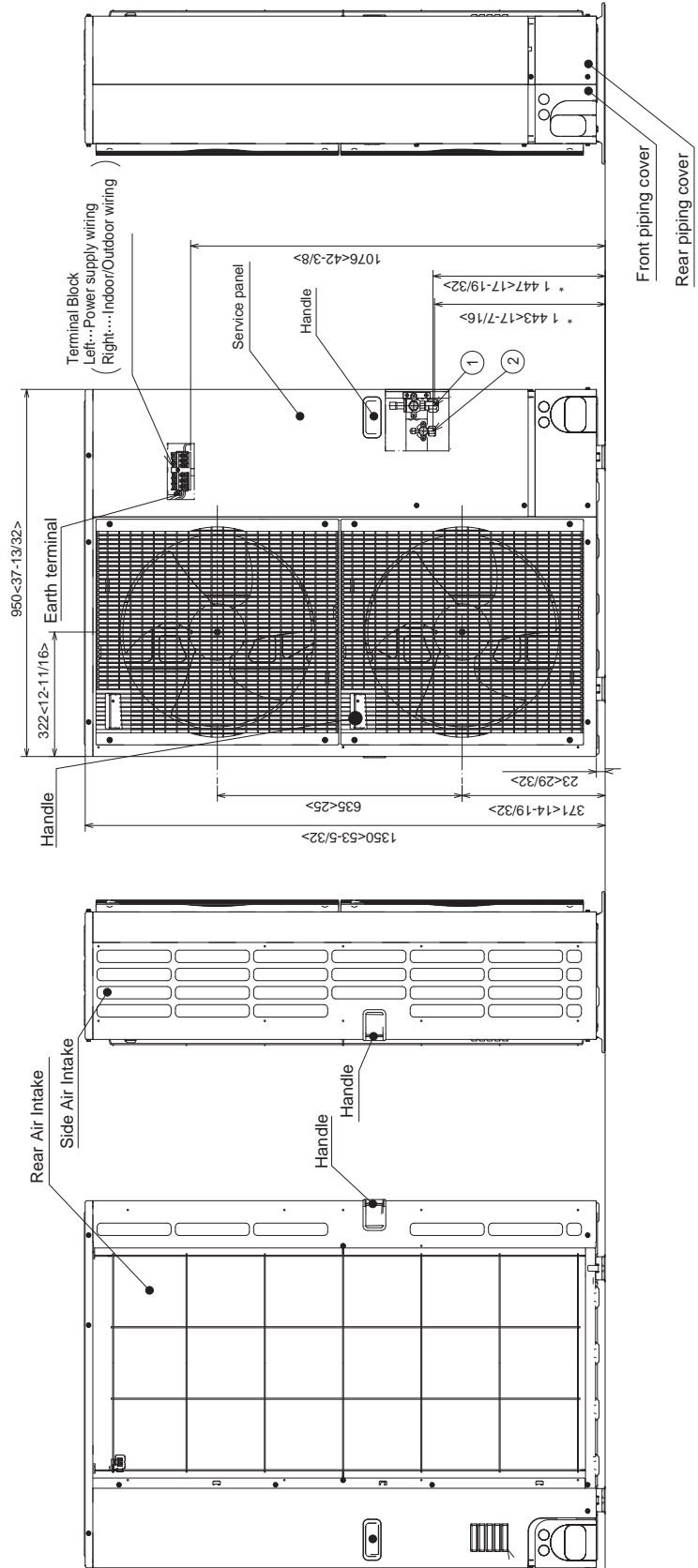
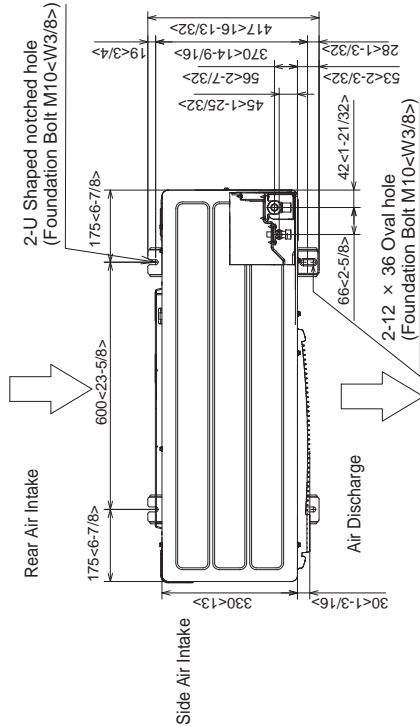


Vertical Installation

Specifications are subject to change without notice.

DIMENSIONS: PUZ-HA30NHA5

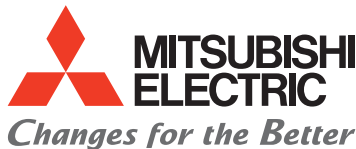
Unit: mm (in.)



Example of Notes

- ①.....Refrigerant GAS pipe connection (FLARE)φ15.88<-5/8>
- ②.....Refrigerant LIQUID pipe connection (FLARE)φ9.52<-3/8>
- *1Indication of STOP VALVE connection location.

Should this document be altered or changed without MESCA's permission, it becomes null and void. MESCA assumes no responsibility for any consequences in such cases.



for a greener tomorrow

