

**SUBMITTAL DATA: PVA-A42AA7 & PUZ-A42NKA7**  
42,000 BTU/H AIR HANDLER AIR-CONDITIONING SYSTEM

Job Name:	Engineer:
Purchaser:	Application:
Submitted To:	For: <input type="checkbox"/> Reference <input type="checkbox"/> Approval <input type="checkbox"/> Construction
Submitted By:	Location:
System Designation:	Schedule No.:



Indoor Unit: PVA-A42AA7



Outdoor Unit: PUZ-A42NKA7 (BS)

**UNIT OPTION:**

Standard Model.....PUZ-A42NKA7  
Seacoast (BS) Model.....PUZ-A42NKA7-BS

**ACCESSORIES:**

**Indoor Unit**

- External Heating Adaptor (PAC-YU25HT) Return Air Intake
- Extension (PV-RTN-36-42)
- Electric Heat Kit .....see.....SB\_EH\_MVZ\_PVA\_PVfy\_SVZ

**Controls**

- Wireless Controller (MHK1)
- Advanced Wired Controller (PAR-32MAA / PAR-33MAA)
- Simple Wired Controller (PAC-YT53CRAU)
- Wireless Remote Controller (PAR-FL32MA) + Wireless Signal Receiver (PAR-FA32MA)
- Thermostat Interface (PAC-US444CN)
- M-NET Adapter (PAC-SF83MA-E)

**Outdoor Unit**

- Rear Snow Guard (SG-1-RE)
- Side Snow Guard (SG-1-SD)
- Front Wind Deflector (x2 required) (CM-S-FR-NKMU)
- Front Wind Blocker (x2 per box) (CM-S-BLK-NKMU)

**Note: Mitsubishi Electric (MESCA) supports the use of only MESCA supplied and approved Snow Guard / Wind Deflectors / Windscreens and accessories for proper functioning of the unit(s). Use of non-MESCA supported Snow Guard / Wind Deflectors / Windscreens and accessories will affect warranty coverage.**

**SPECIFICATIONS:**

Rated Conditions (Capacity / Input)*		
Cooling	Btu/h / W	42,000 / 4,150
Heating at 47° F	Btu/h / W	46,000 / 3,900
Heating at 17° F	Btu/h / W	28,400 / 3,440

\* Rating Conditions per AHRI Standard:  
Cooling | Indoor: 80° F (27° C)DB / 67° F (19° C)WB; Outdoor: 95° F (35° C)DB / 75° F (24° C)WB  
Heating at 47° F | Indoor: 70° F (21° C)DB / 60° F (16° C)WB; Outdoor: 47° F (8° C)DB / 43° F (6° C)WB  
Heating at 17° F | Indoor: 70° F (21° C)DB / 60° F (16° C)WB; Outdoor: 17° F (-8° C)DB / 15° F (-9° C)WB

Capacity Range		
Cooling	Btu/h	15,000 - 42,000
Heating at 47° F	Btu/h	18,100 - 48,000

Operating Range	
Cooling	0°F** (-18°C) to 115°F (46°C) DB
Heating	-4°F (-20°C) to 70°F (21°C) DB

\*\* Windscreens required for cooling operation below 23°F (-5°C)

AHRI Efficiency Rating	
EER	10.1
SEER	18.0
HSPF IV / V	9.3 / 7.3
COP at 47° F	3.45
COP at 17° F	2.42

Specifications are subject to change without notice.

Electrical Power Requirements	208 / 230V, 1-Phase, 60 Hz
-------------------------------	----------------------------

Minimum Circuit Ampacity (MCA) *	Breaker Size	MOCPS (Outdoor)
Indoor 5.63 AMP	Outdoor 25 AMP	30 AMP
		31 AMP

**\*All electrical work shall comply with National (CEC) and local codes and regulations.**

Blower Motor (ECM)	F.L.A.	4.5
Blower Motor Output	W	430
SHF / Moisture Removal		0.81 / 7.9 pt./h
External Static Pressure	In. WG	0.30-0.50-0.80

Outdoor Unit		
Compressor		DC INVERTER-driven Scroll
Fan Motor (ECM)	F.L.A.	0.5+0.5
Fan Motor Power	W	74

Airflow Rate (Low-Mid-Hi)			
Indoor (Cooling)	DRY	CFM	1,040-1,262-1,485
	WET		NA
Outdoor	DRY		3,880

Sound Pressure Level		
Indoor (Low-Mid-Hi)		34-38-42
Outdoor	Cooling	52
	Heating	53

External Dimensions		
Indoor (H x W x D)	In.(mm)	59-1/2 x 25 x 21-5/8 (1511 x 635 x 548)
Outdoor (H x W x D)		52-11/16 x 41-5/16 x 13 + 1-3/16 (1,338 x 1050 x 330 + 30)

Net Weight		
Indoor	Lbs.(kg)	172 (78)
Outdoor		214 (97)

External Finish	
Indoor	Galvanized steel cabinet-Powder coated Slate Grey
Outdoor	Ivory Munsell No. 3Y 7.8 / 1.1

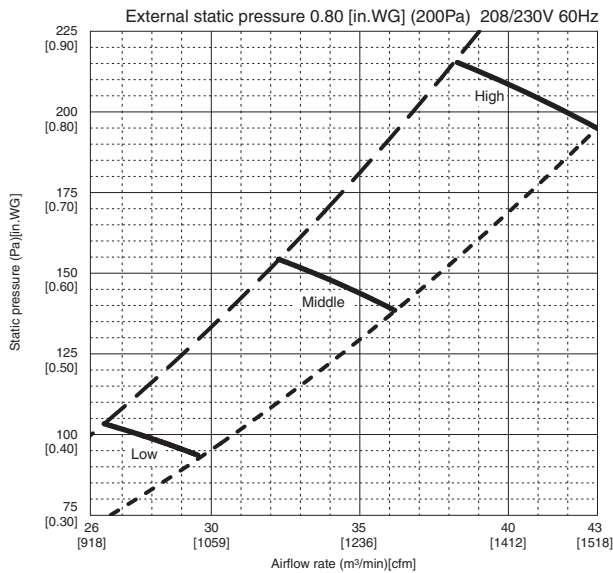
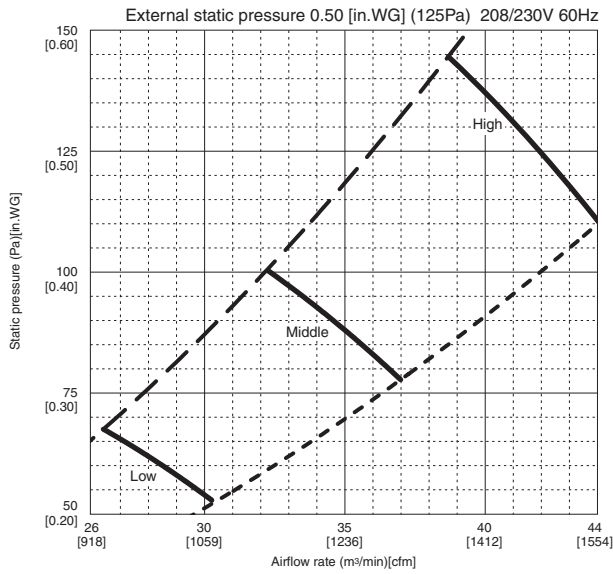
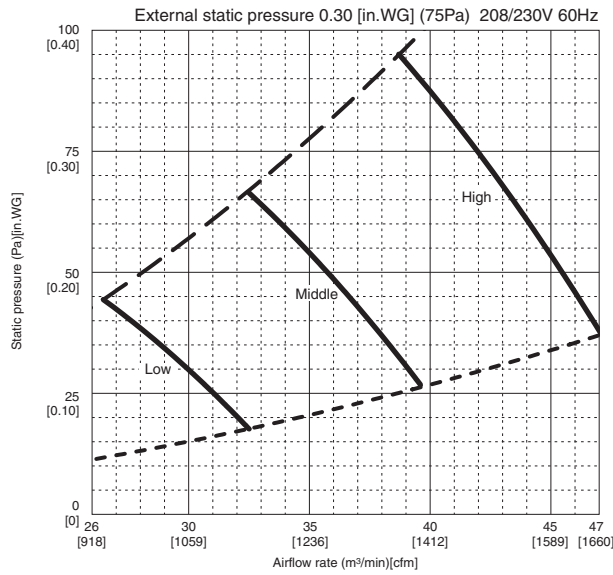
Refrigerant	R410A ; 10lbs., 6oz. (4.7kg)
-------------	------------------------------

Refrigerant Piping (Flared)		
Liquid (High Pressure)	In.(mm)	3/8 (9.52)
Gas (Low Pressure)		5/8 (15.88)
Maximum Total Refrigerant Pipe Length	Fl. (m)	165 (50)
Maximum Vertical Separation	Fl. (m)	100 (30)

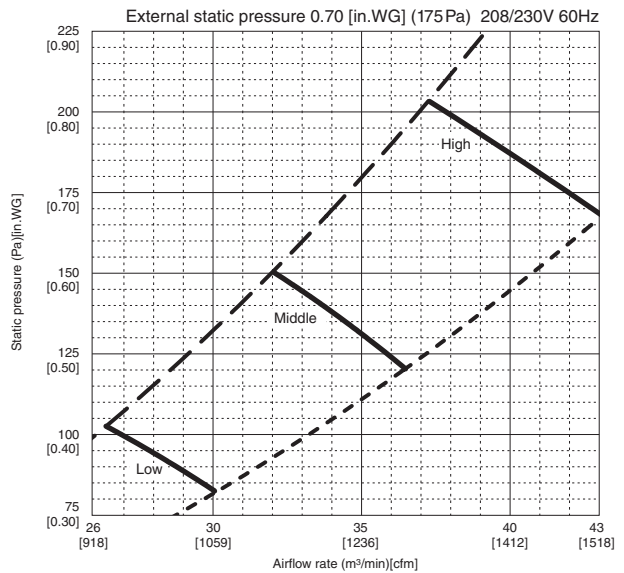
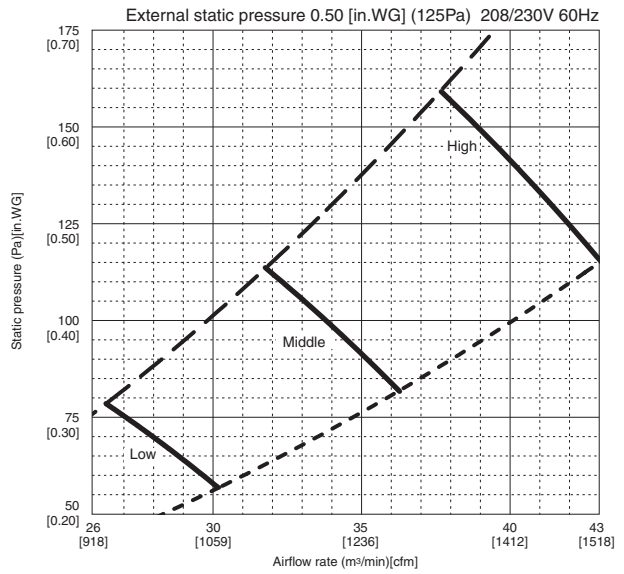
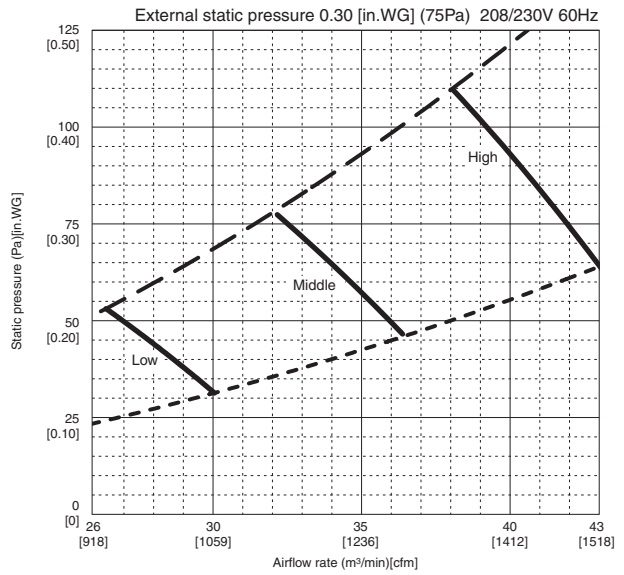
Should this document be altered or changed without MESCA's permission, it becomes null and void. MESCA assumes no responsibility for any consequences in such cases.

# FAN PERFORMANCE AND CORRECTED AIR FLOW - PVA-A42AA7

## • Vertical, Horizontal Right, Horizontal Left



## • Downflow

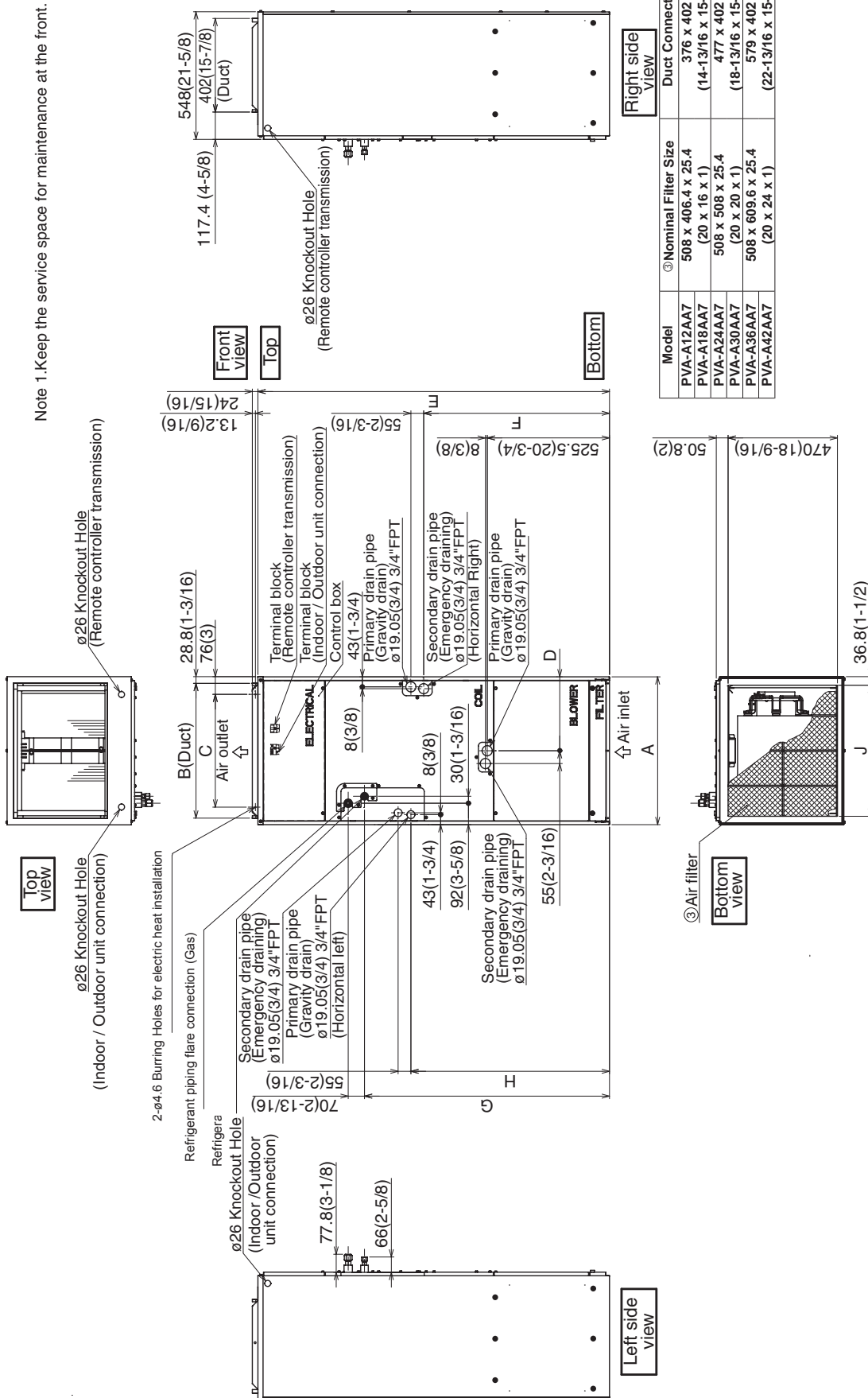


Specifications are subject to change without notice.

Should this document be altered or changed without MESCA's permission, it becomes null and void. MESCA assumes no responsibility for any consequences in such cases.

# DIMENSIONS: PVA-A42AA7

Unit: mm (in.)



Note 1. Keep the service space for maintenance at the front.

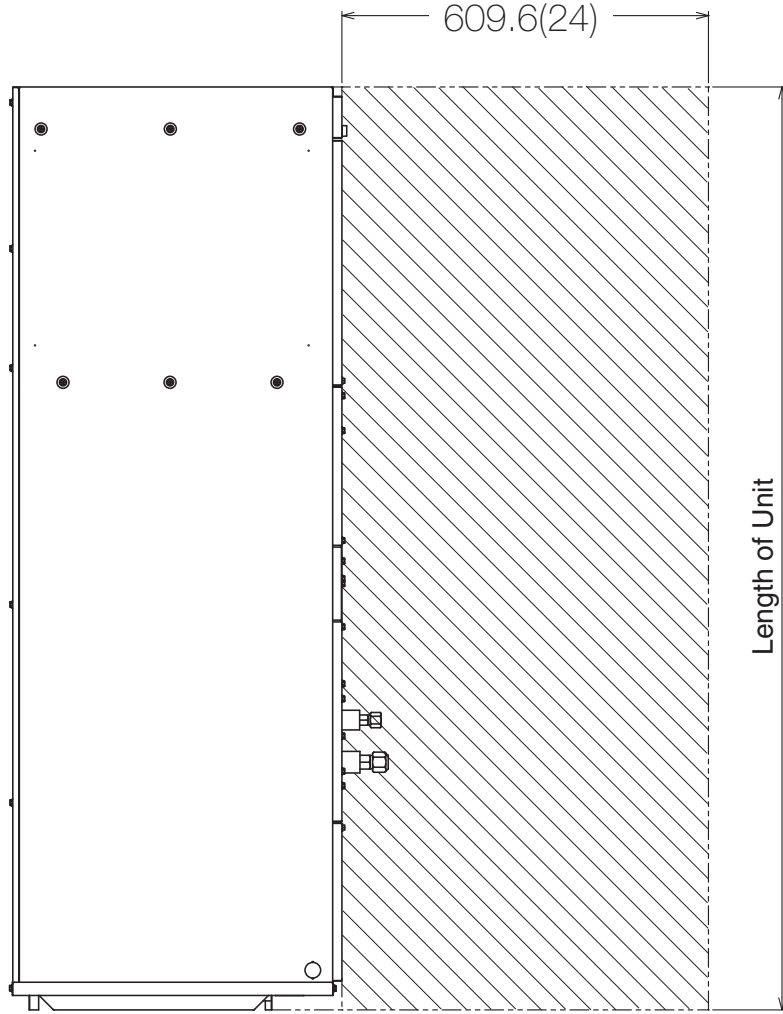
Model	Unit: mm (in.)										
	A	B	C	D	E	F	G	H	J	① Gas Pipe	② Liquid Pipe
PVA-A12AA7	432 (17)	376 (14-13/16)	281 (11-1/8)	224 (8-7/8)	1275 (50-1/4)	680 (26-13/16)	823 (32-7/16)	735.5 (29)	360 (14-3/16)	Φ 12.7 (1/2)	Φ 6.35 (1/4)
PVA-A18AA7	534 (21)	477 (18-13/16)	382.6 (15-1/8)	266.5 (10-1/2)	1378 (54-1/4)	737 (29-1/16)	953.5 (37-9/16)	792 (31-3/16)	461 (18-3/16)	Φ 15.88 (5/8)	Φ 9.52 (3/8)
PVA-A30AA7	635 (25)	579 (22-13/16)	484.6 (19-1/8)	317.5 (12-1/2)	1511 (59-1/2)	798.5 (31-7/16)	1053 (41-1/2)	853.5 (33-5/8)	563 (22-3/16)		

Should this document be altered or changed without MESCA's permission, it becomes null and void. MESCA assumes no responsibility for any consequences in such cases.

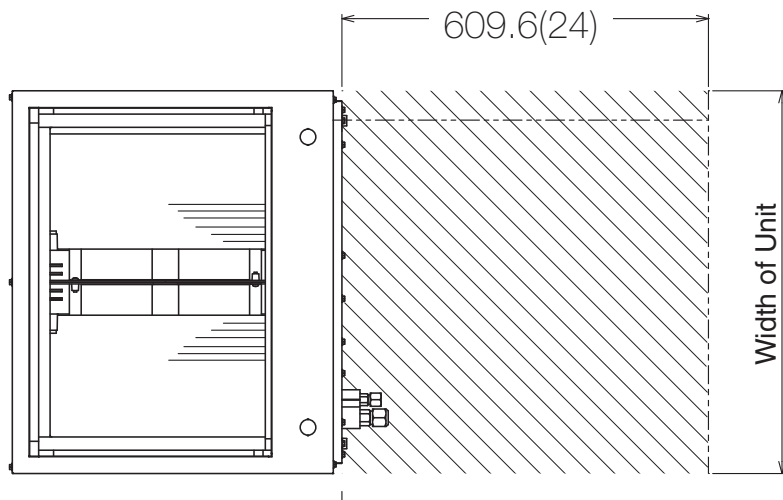
# DIMENSIONS: PVA-A42AA7

Unit: mm (in.)

## Clearance Area



## Horizontal Installation

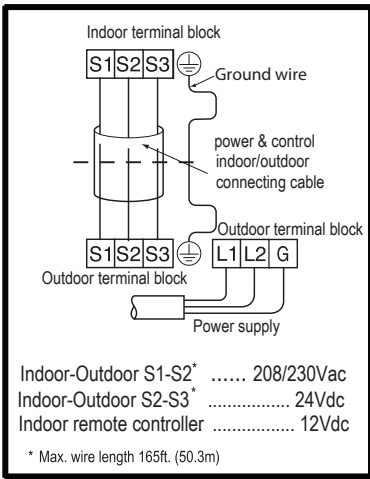
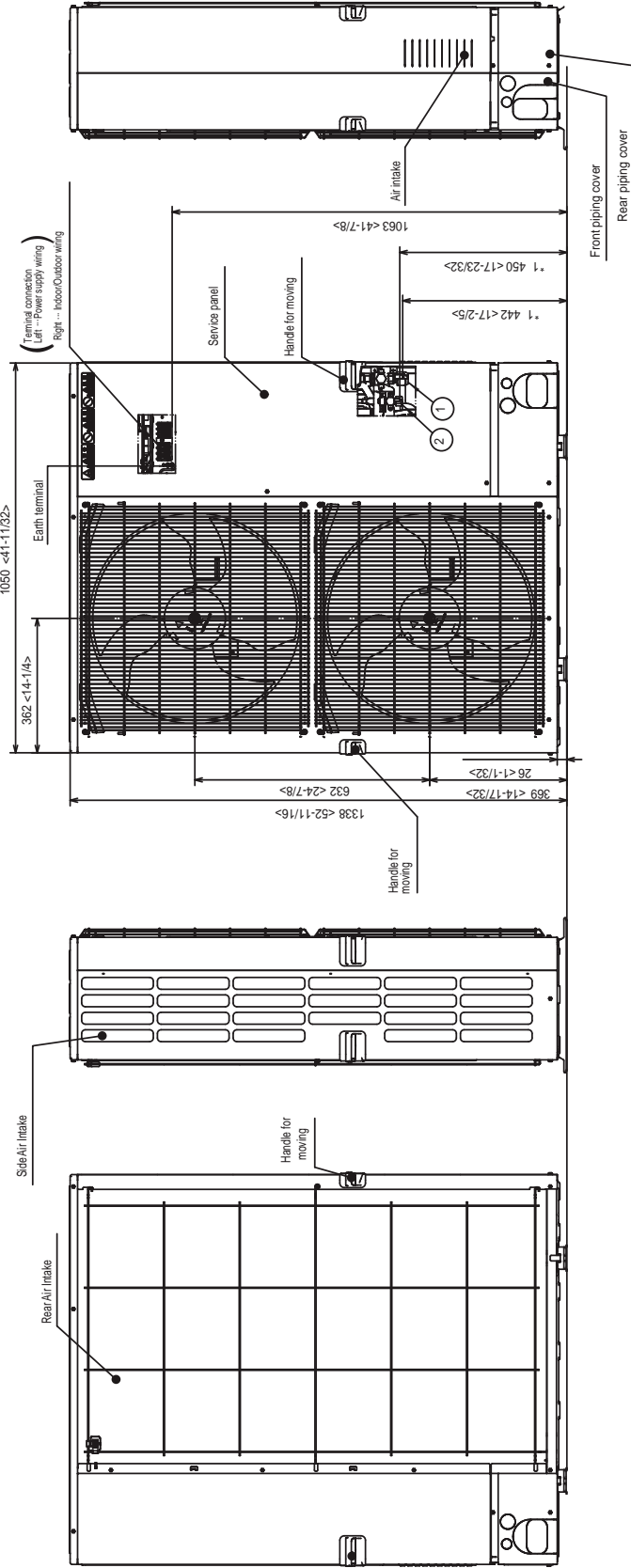
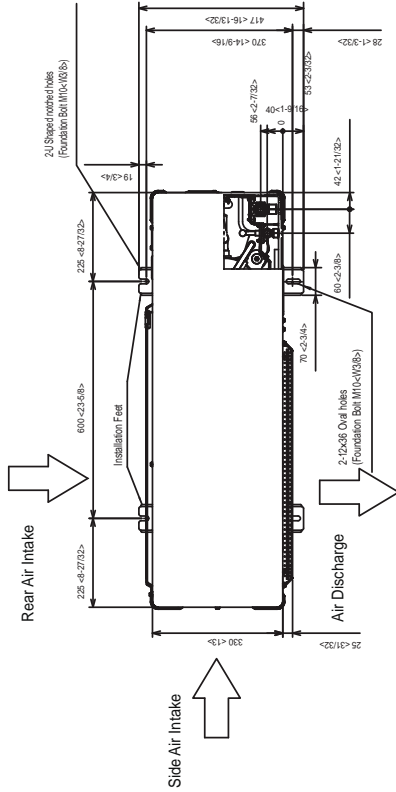


## Vertical Installation

Specifications are subject to change without notice.

# DIMENSIONS: PUZ-A42NKA7

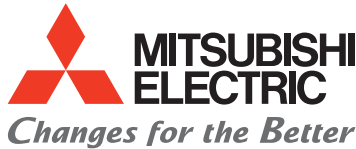
Unit: mm (in.)



### Example of Notes

- ① --- Refrigerant GAS pipe connection (FLARE) ø15.88(6/8F)
- ② --- Refrigerant LIQUID pipe connection (FLARE) ø9.52(3/8F)
- \* --- Indication of STOP VALVE connection location.

Should this document be altered or changed without MESCA's permission, it becomes null and void. MESCA assumes no responsibility for any consequences in such cases.



for a greener tomorrow

