

Job Name:

Schedule Reference:

Date:



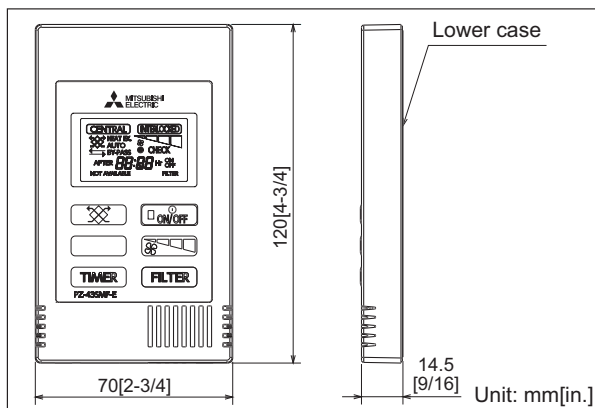
■ Functions

Operation	Relevant button	Relevant display items	Sequence
Starting the Lossnay unit			Press the "ON/OFF" button and check that the operation lamp turns on.
Setting the Ventilation mode			Press the "Ventilation mode" button: Each time it is pressed, the corresponding display will change in accordance with the sequence [HEAT EX.] (non-automatic) --> [BY-PASS] (non-automatic) --> [AUTO]. If [AUTO] is selected, the display will change to indicate the current mode after three seconds have passed.
Selecting the fan speed			Press the "Fan Speed" button to select either Low or High fan speed.
Stopping the Lossnay unit	 Operation lamp		Press the "ON/OFF" button. (and check the operation lamp turns off.)
OFF timer			Press the "TIMER" button during operation. 0:30 (Initial) Increasing 0:30 by pressing it once. Available setting time: 0:30 - 24:00 * Keep pressing the button for fast-forwarding. Release the button for cancelling the fast-forwarding. Timer setting will be cancelled by pressing "ON/OFF" button.
ON timer			Press the "TIMER" button during non-operation. 5:30 (Initial) Increasing 0:30 by pressing it once. Available setting time: 0:30 - 24:00 * Keep pressing the button for fast-forwarding. Release the button for cancelling the fast-forwarding. Timer setting will be cancelled by pressing "ON/OFF" button.

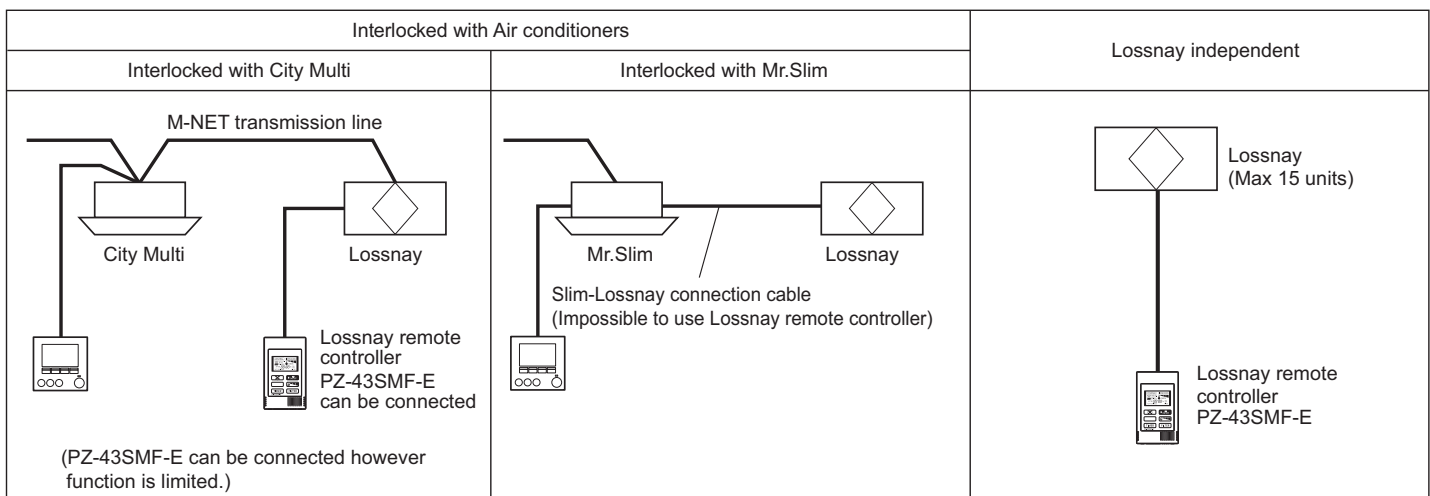
- Stand-alone Lossnay operation is possible by commands from a centralized controller or Lossnay remote controller. (AE-200A/AE-50A/EW-50A/AG-150A-A are centralized controllers that support Lossnay operation.)
- The Lossnay remote controller is capable of changing the air flow and vent modes.
- All the wiring is cross-wiring that uses non-polar two wire system signal cables.

* It is possible to use a Lossnay remote controller for Lossnay unit that is interlocked with other indoor units.

■ External dimension



■ System example



Specifications are subject to change without notice.