

SLZ-KF09NA1 & SUZ-KA09NAHZ-TH

9,000 Btu/h Ceiling-Cassette Heat Pump

Job Name:	Location:	Date:		
Purchaser:	Submitted by:			
Submitted to:	Reference	Approval	Construction	
System Designation:	Schedule Number #:			
Engineer:				



Energy Efficiency	SEER / SEER2	20.2 / 20.5
	EER / EER2	15.0 / 15.0
	HSPF IV / V	9.0 / 7.3

Accessories:

- Grille (SLP-18FAEU - Ordered separate) (w/3D i-see sensor)
- Windscreens (ME-FR-24)
- Wired Remote Sensor (PAC-SE41TS-E)
- Wire for Remote on/off with CN32 connector (PAC-715AD) Connector and wire for Operation status/error using CN51(PAC-725AD)
- Connector of CN32 (remote on/off) (PAC-SE55RA-E)
- Connector cable for remote display (PAC-SA88HA-EP)

Optional Controls:

- Wired Remote Controller (PAR-41MAA)
- Simple MA Remote Controller (PAC-YT53CRAU-J)
- Interface Module (RMF-CA200)
- System Control Interface (MAC-334IF-E)
- Wireless Remote (PAR-SL100A-E)(Requires PAR-SF9FA-E)
- Backlit, Wall-mounted, Wireless Controller (MHK2)

Indoor unit	MCA (*)	A	0.25
	Fan Motor	F.L.A	0.2
	Fan Motor Output	W	50
	Air flow (Lo-Mid-Hi)	DRY(CFM)	230-265-300
		WET(CFM)	207-239-270
	External Static Pressure	in WG	0
	Sound Pressure Level (Lo-Mid-Hi)	dB (A)	25-28-31
	External Finish Color		Munsell 1.0Y 9.2/0.2
	Dimensions	W: in	22-7/16
		D: in	22-7/16
		H: in	8-3/8
	Weight Unit	lbs	30.6
	Field Drainpipe O.D.	in	O.D. 1-1/4
	Refrigerant pipe Gas	in	3/8
	Refrigerant pipe Liquid	in	1/4
	Moisture Removal	Pints/h	1.9
Sensible Heat Factor		0.77	

NOTES : *1.Rating conditions (cooling)-Indoor : D.B. 26.7°C(80°F), W.B. 19.4°C(67°F) Outdoor : D.B. 35°C(95°F), W.B. 23.9°C(75°F)
(heating)-Indoor : D.B. 21.1°C(70°F), W.B. 15.6°C(60°F) Outdoor : D.B. 8.3°C(47°F), W.B. 6.1°C(43°F)
*2.Rating conditions(heating)-Indoor : D.B. 21.1°C(70°F), W.B. 15.6°C(60°F) Outdoor : D.B. -8.3°C(17°F), W.B. -9.4°C(15°F)

Operating range		Indoor intake air temperature		Outdoor intake air temperature	
Cooling	Maximum	D.B. 35°C(95°F)	W.B. 21.7°C(71°F)	D.B. 46°C(115°F)	
	Minimum	D.B. 19.4°C(67°F)	W.B. 13.9°C(57°F)	D.B. -10°C(14°F)	
Heating	Maximum	D.B. 26.7°C(80°F)	W.B. 19.4°C(67°F)	D.B. 24°C(75°F), W.B. 18°C(65°F)	
	Minimum	D.B. 21.1°C(70°F)	W.B. 15.6°C(60°F)	D.B. -25°C(-13°F), W.B. -26°C(-14°F)	

*All electrical work shall comply with National (CEC), local codes and regulations.

Should this document be altered or changed without MESCA's permission, it becomes null and void. MESCA assumes no responsibility for any consequences in such cases.

Note: Mitsubishi Electric (MESCA) supports the use of only MESCA supplied and approved accessories for proper functioning of the unit(s). Use of non-MESCA supported accessories will affect warranty coverage.

SLZ-KF09NA1 & SUZ-KA09NAHZ-TH

Outdoor unit	MCA (*)	A	14	
	MOCP (*) (Breaker)	A	24 (15)	
	Fan Motor	F.L.A.	0.67	
	Compressor	Model(Type)	DC INVERTER-driven Twin Rotary	
		R.L.A.	10	
		L.R.A.	12.5	
	Air flow (Cooling/Heating)	CFM	(1,691/1,691)	
	Refrigerant Control	Linear Expansion Valve		
	Defrost Method	Reverse Cycle		
	SPL (Cooling)	dB (A)	54	
	SPL (Heating)	dB (A)	55	
	External Finish Color	Munsell No.3Y 7.8/1.1		
	Dimension	W: in	33-1/16	
D: in		13		
H: in		34-5/8		
Weight	lbs	129		
Remote Controller	Type	Wired Remote Controller		
Refrigerant	Type	R410A		
	Charge	lbs, oz	3,9	
	Oil	Type(Fl.oz.)	FV50S(22.0)	
Refrigerant Pipe	Gas side O.D.	in	3/8	
	Liquid side O.D.	in	1/4	
	Height Difference (Max)	ft	40	
	Length (Max.)	ft	65	
Connection Method	Indoor/Outdoor	Flared/Flared		
Operation Guarantee	Cooling	°F	14 - 115	
	Heating	°F	-13 - 75	

Power supply	Voltage, Phase, Cycle	1-phase, 60Hz, 208/230V
Voltage	Indoor - Outdoor S1-S2	AC 208/230V
	Indoor - Outdoor S2-S3	DC12-24V
	Indoor - Remote controller	DC12V

		MAX (Btu)	MAX RATED INPUT (W)	RATED (Btu)	RATED TOTAL INPUT (W)	COP
Heating	47°F	13,992	1,107	11,660	840	3.70
	17°F	10,626	875	7,205	664	3.56
	5°F	10,626	681	4,730	517	2.68
	-4°F	7,598	520	2,850	396	2.11
	-13°F	4,569	346	701	262	0.78
Cooling	80°F	14,141	801	14,141	801	5.17

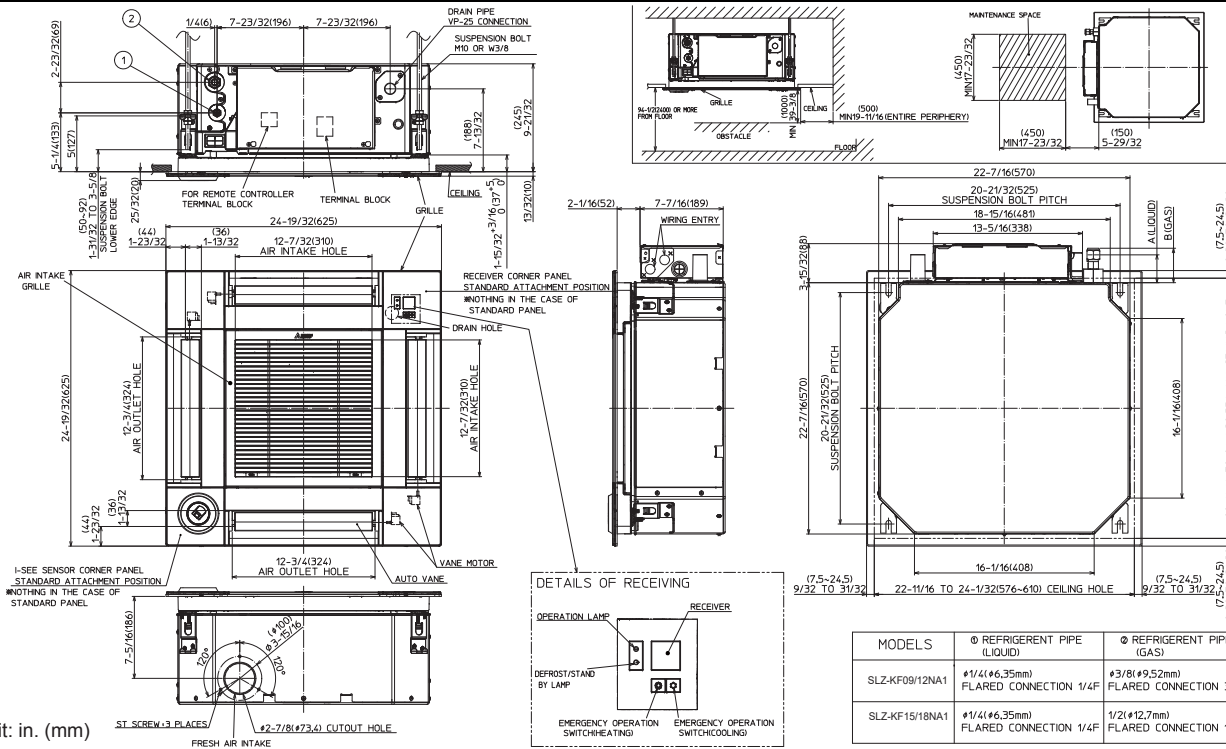
* COP at MAX capacity

*All electrical work shall comply with National (CEC), local codes and regulations.

Should this document be altered or changed without MESCA's permission, it becomes null and void. MESCA assumes no responsibility for any consequences in such cases.

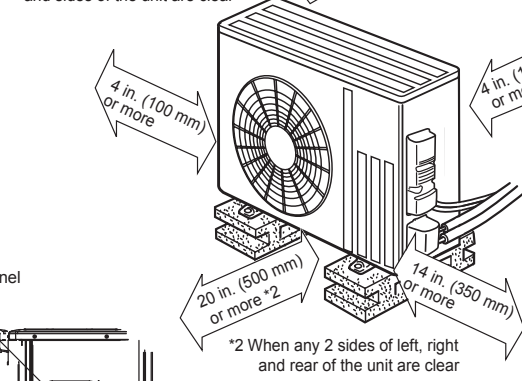
Note: Mitsubishi Electric (MESCA) supports the use of only MESCA supplied and approved accessories for proper functioning of the unit(s). Use of non-MESCA supported accessories will affect warranty coverage.

SLZ-KF09NA1 & SUZ-KA09NAHZ-TH

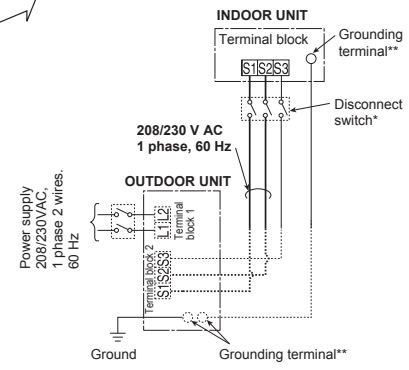
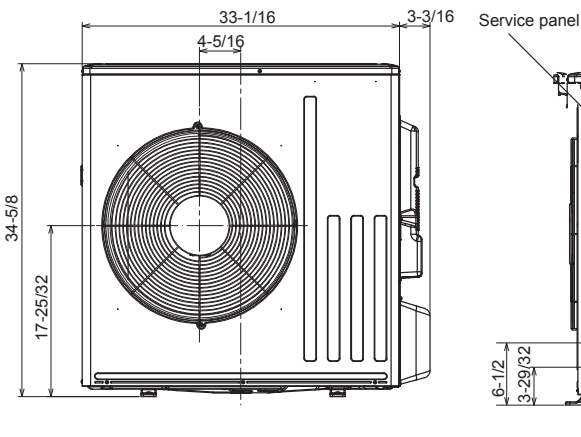
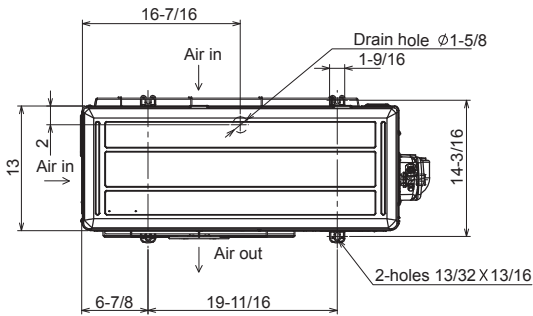


REQUIRED SPACE

*1 20 in. (500 mm) or more when front and sides of the unit are clear



Unit: inch



Remark:
* A disconnect switch is required.
Check the local code.
** Use a ring tongue terminal in order to connect a ground wire to terminal.



*All electrical work shall comply with National (CEC), local codes and regulations.

Should this document be altered or changed without MESCA's permission, it becomes null and void. MESCA assumes no responsibility for any consequences in such cases.

Note: Mitsubishi Electric (MESCA) supports the use of only MESCA supplied and approved accessories for proper functioning of the unit(s). Use of non-MESCA supported accessories will affect warranty coverage.