

SUBMITTAL DATA: SVZ-KP18NA & SUZ-KA18NAR1-TH-H
18,000 BTU/H AIR HANDLER HEAT-PUMP SYSTEM

Job Name:	Engineer:
Purchaser:	Application:
Submitted To:	For: <input type="checkbox"/> Reference <input type="checkbox"/> Approval <input type="checkbox"/> Construction
Submitted By:	Location:
System Designation:	Schedule No.:



Indoor Unit: SVZ-KP18NA



Outdoor Unit: SUZ-KA18NAR1-TH-H

ACCESSORIES:

Indoor Unit

- Electric Heat Kit (EH03-SVZ-S)
- Electric Heat Kit (EH05-SVZ-S)
- Electric Heat Kit (EH08-SVZ-S)

Electric Heat Kitfor details see SB_EH_MVZ_PVA_PVfy_SVZ

Controls

- Wireless Controller (MHK1)
- Advanced Wired Controller (PAR-33MAA)
- Simple Wired Controller (PAC-YT53CRAU)
- Thermostat Interface (PAC-US444CN)

Outdoor Unit

- Front Wind Guard (ME-FR-15-17)

Note: Mitsubishi Electric (MESCA) supports the use of only MESCA supplied and approved Snow Guard / Wind Deflectors / Windscreens and accessories for proper functioning of the unit(s). Use of non-MESCA supported Snow Guard / Wind Deflectors / Windscreens and accessories will affect warranty coverage.

SPECIFICATIONS:

Rated Conditions (Capacity / Input)*		
Cooling	Btu/h / W	18,000 / 1,440
Heating at 47° F	Btu/h / W	22,900 / 1,890
Heating at 17° F	Btu/h / W	11,600 / 1,470

*1.Rating conditions (cooling)-Indoor : D.B. 26.7°C(80°F), W.B. 19.4°C(67°F) Outdoor : D.B. 35°C(95°F), W.B. 23.9°C(75°F)
(heating)-Indoor : D.B. 21.1°C(70°F), W.B. 15.6°C(60°F) Outdoor : D.B. 8.3°C(47°F), W.B. 6.1°C(43°F)
*2.Rating conditions(heating)-Indoor : D.B. 21.1°C(70°F), W.B. 15.6°C(60°F) Outdoor : D.B. -8.3°C(17°F), W.B. -9.4°C(15°F)

Capacity Range		
Cooling	Btu/h	4,300 - 18,000
Heating at 47° F	Btu/h	7,700 - 22,900

AHRI Efficiency Rating	
EER	12.5
SEER	17.6
HSPF IV / V	10.4 / 7.6
COP at 47° F	3.5
COP at 17° F	2.3

Operating range					
		Indoor intake air temperature		Outdoor intake air temperature	
Cooling	Maximum	D.B. 35°C(95°F), W.B. 21.7°C(71°F)		D.B. 46°C(115°F)	
	Minimum	D.B. 19.4°C(67°F), W.B. 13.9°C(57°F)		D.B. -10°C(14°F)	
Heating	Maximum	D.B. 26.7°C(80°F), W.B. 19.4°C(67°F)		D.B. 24°C(75°F), W.B. 18°C(65°F)	
	Minimum	D.B. 21.1°C(70°F), W.B. 15.6°C(60°F)		D.B. -20°C(-4°F), W.B. -21°C(-5°F)	

Electrical Power Requirements	208 / 230V, 1-Phase, 60 Hz
-------------------------------	----------------------------

Minimum Circuit Ampacity (MCA) *		Breaker Size	MOCP (Outdoor)
Indoor 3.00 AMP	Outdoor 14 AMP	15 AMP	15 AMP

*All electrical work shall comply with National (CEC) and local codes and regulations.

Indoor Unit		
Blower Motor (ECM)	F.L.A.	2.4
Blower Motor Output	W	121
SHF / Moisture Removal		0.86 / 2.3 pt./h
External Static Pressure	In. WG	0.3 - 0.5 - 0.8
Drainpipe Size O.D	In. (mm)	3/4 (19)

Outdoor Unit		
Compressor		DC INVERTER-driven Twin Rotary
Fan Motor (ECM)	F.L.A.	0.93
Fan Motor Power	W	77

Airflow Rate (Low-Mid-Hi)			
Indoor (Cooling)	DRY	CFM	471-573-675
	WET		471-573-675
Outdoor	CLG / HTG		1,730 / 1,659

Sound Pressure Level			
Indoor (Low-Mid-Hi)			33-36-41
Outdoor	Cooling	dB(A)	54
	Heating		56

External Dimensions		
Indoor (H x W x D)	In.(mm)	39-13/16 x 17 x 21-5/8 (1,011 x 432 x 550)
Outdoor (H x W x D)		33-7/16 x 33-1/6 x 13 (850 x 842 x 330)

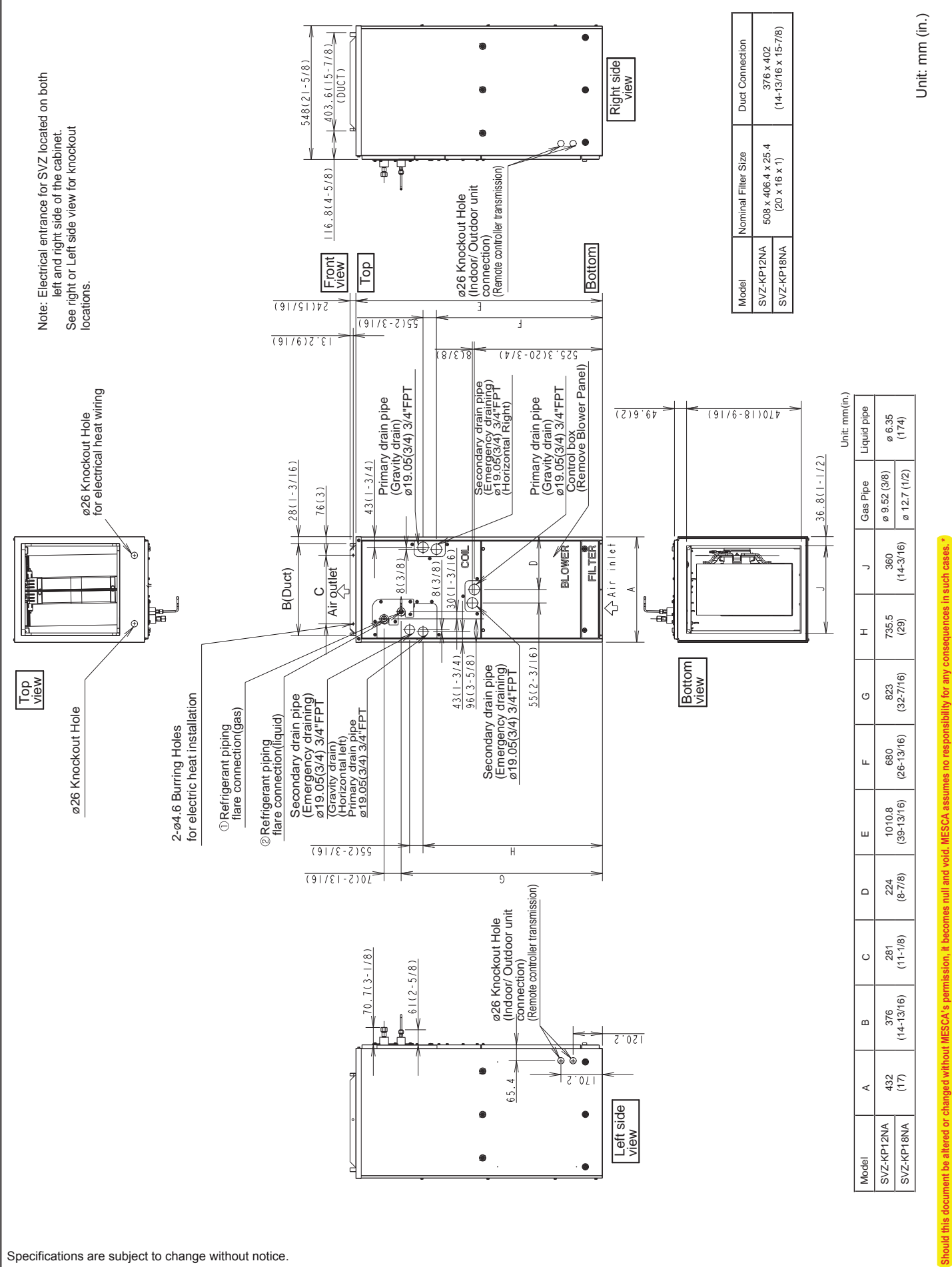
Net Weight		
Indoor	Lbs.(kg)	93 (42)
Outdoor		119 (54)

External Finish	
Indoor	Black
Outdoor	Ivory Munsell No. 3Y 7.8 / 1.1

Refrigerant	R410A ; 3lbs., 16oz.
-------------	----------------------

Refrigerant Piping (Flared)		
Liquid (High Pressure)	In.(mm)	1/4 (6.35)
Gas (Low Pressure)		1/2 (12.7)
Maximum Total Refrigerant Pipe Length	Fl. (m)	100 (30)
Maximum Vertical Separation	Fl. (m)	50 (15)

DIMENSIONS: SVZ-KP18NA



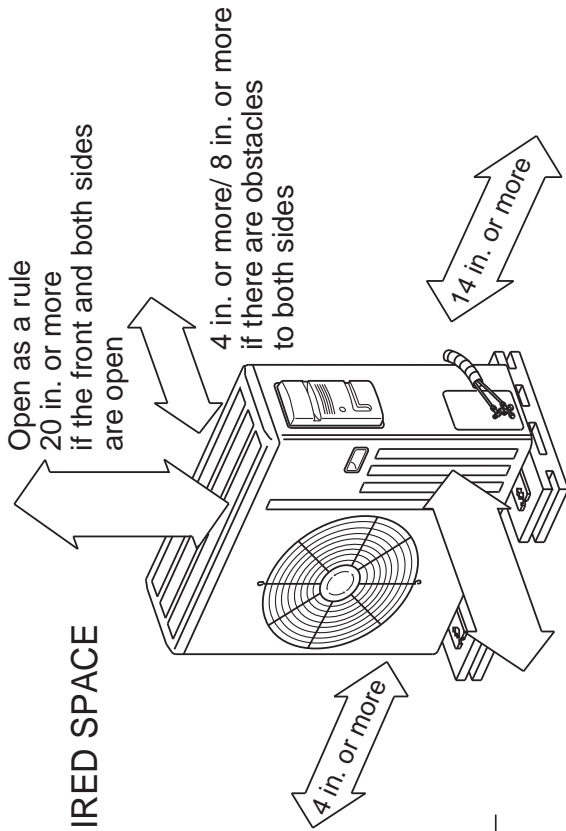
Specifications are subject to change without notice.

Should this document be altered or changed without MESCA's permission, it becomes null and void. MESCA assumes no responsibility for any consequences in such cases.

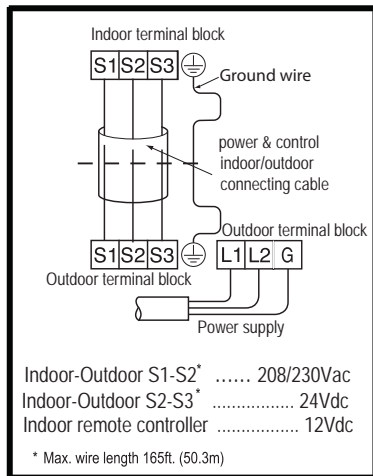
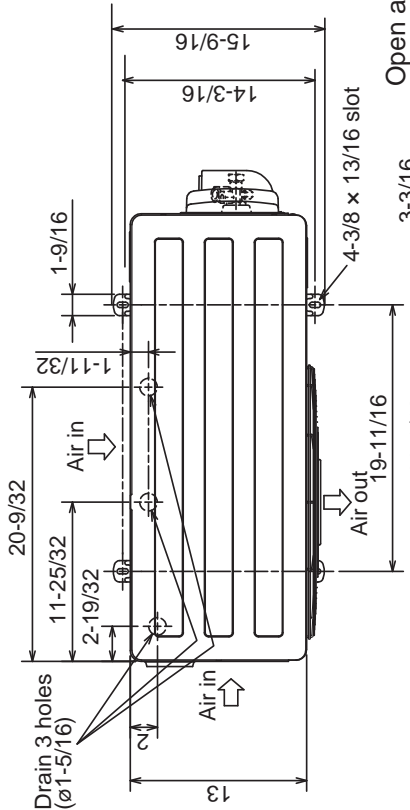
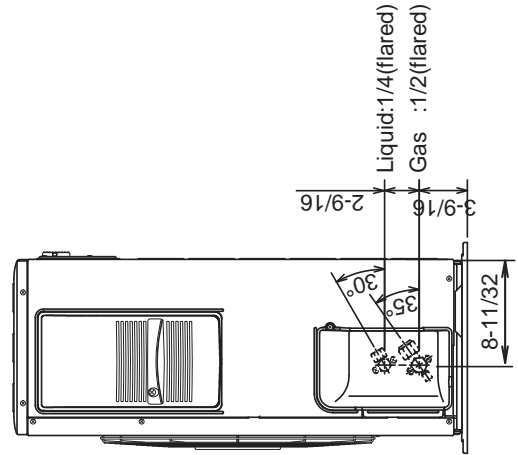
DIMENSIONS: SUZ-KA18AR1-TH-H

Unit: mm (in.)

REQUIRED SPACE



Open as a rule
20 in. or more if the back,
both sides and top are open



Should this document be altered or changed without MESCA's permission, it becomes null and void. MESCA assumes no responsibility for any consequences in such cases.

