

# TECHNICAL & SERVICE MANUAL

## CITY MULTI Series Ceiling Cassettes R410A / R22

**Indoor unit**
**[Model names] [Service Ref.]**

|                |                  |                             |
|----------------|------------------|-----------------------------|
| PMFY-P06NBMU-E | PMFY-P06NBMU-E   | PMFY-P06NBMU-E <sub>1</sub> |
|                | PMFY-P06NBMU-E#2 | PMFY-P06NBMU-ER3            |
|                | PMFY-P06NBMU-ER4 | PMFY-P06NBMU-ER5            |
| PMFY-P08NBMU-E | PMFY-P08NBMU-E   | PMFY-P08NBMU-E <sub>1</sub> |
|                | PMFY-P08NBMU-E#2 | PMFY-P08NBMU-ER3            |
|                | PMFY-P08NBMU-ER4 | PMFY-P08NBMU-ER5            |
| PMFY-P12NBMU-E | PMFY-P12NBMU-E   | PMFY-P12NBMU-E <sub>1</sub> |
|                | PMFY-P12NBMU-E#2 | PMFY-P12NBMU-ER3            |
|                | PMFY-P12NBMU-ER4 | PMFY-P12NBMU-ER5            |
| PMFY-P15NBMU-E | PMFY-P15NBMU-E   | PMFY-P15NBMU-E <sub>1</sub> |
|                | PMFY-P15NBMU-E#2 | PMFY-P15NBMU-ER3            |
|                | PMFY-P15NBMU-ER4 | PMFY-P15NBMU-ER5            |

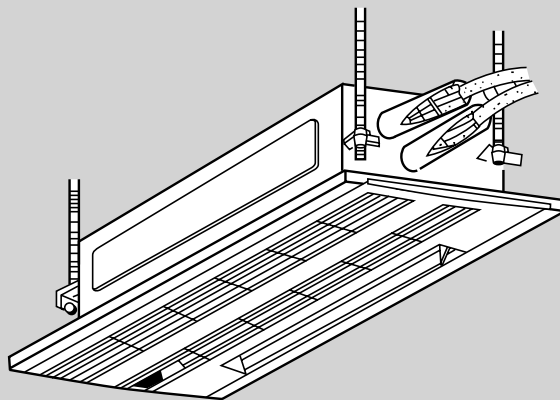
**Revision:**

- PMFY-P06/08/12/15NBMU-ER5 have been added in REVISED EDITION-F.
- Some descriptions have been modified.

- Please void OC341 REVISED EDITION-E.

**NOTE:**

- This manual describes only service data of the indoor units.
- RoHS compliant products have <G> mark on the spec name plate.
- For servicing RoHS compliant products, refer to the RoHS PARTS LIST.


**INDOOR UNIT**

### CONTENTS

|                                    |    |
|------------------------------------|----|
| 1. TECHNICAL CHANGES.....          | 2  |
| 2. FEATURES.....                   | 3  |
| 3. PART NAMES AND FUNCTIONS.....   | 3  |
| 4. SPECIFICATION.....              | 5  |
| 5. OUTLINES AND DIMENSIONS.....    | 9  |
| 6. WIRING DIAGRAM.....             | 10 |
| 7. REFRIGERANT SYSTEM DIAGRAM..... | 14 |
| 8. MICROPROCESSOR CONTROL.....     | 15 |
| 9. TROUBLESHOOTING.....            | 22 |
| 10. DISASSEMBLY PROCEDURE.....     | 31 |
| 11. RoHS PARTS LIST.....           | 35 |

## Use the specified refrigerant only

### Never use any refrigerant other than that specified.

Doing so may cause a burst, an explosion, or fire when the unit is being used, serviced, or disposed of.

Correct refrigerant is specified in the manuals and on the spec labels provided with our products.

We will not be held responsible for mechanical failure, system malfunction, unit breakdown or accidents caused by failure to follow the instructions.

# 1

## TECHNICAL CHANGES

**PMFY-P06NBMU-ER4** → **PMFY-P06NBMU-ER5**  
**PMFY-P08NBMU-ER4** → **PMFY-P08NBMU-ER5**  
**PMFY-P12NBMU-ER4** → **PMFY-P12NBMU-ER5**  
**PMFY-P15NBMU-ER4** → **PMFY-P15NBMU-ER5**

- INDOOR CONTROLLER BOARD (I.B) has been changed. (S/W version up)

**PMFY-P06NBMU-ER3** → **PMFY-P06NBMU-ER4**  
**PMFY-P08NBMU-ER3** → **PMFY-P08NBMU-ER4**  
**PMFY-P12NBMU-ER3** → **PMFY-P12NBMU-ER4**  
**PMFY-P15NBMU-ER3** → **PMFY-P15NBMU-ER4**

1. DRAIN PIPE has been changed.
2. JOINT SOCKET (FOR DRAIN PIPE) has been added.

**PMFY-P06NBMU-E#2** → **PMFY-P06NBMU-ER3**  
**PMFY-P08NBMU-E#2** → **PMFY-P08NBMU-ER3**  
**PMFY-P12NBMU-E#2** → **PMFY-P12NBMU-ER3**  
**PMFY-P15NBMU-E#2** → **PMFY-P15NBMU-ER3**

- CONTROLLER BOARD (I.B) has been changed. (It is possible to extract a signal for an external heater.)

**PMFY-P06NBMU-E<sub>1</sub>** → **PMFY-P06NBMU-E#2**  
**PMFY-P08NBMU-E<sub>1</sub>** → **PMFY-P08NBMU-E#2**  
**PMFY-P12NBMU-E<sub>1</sub>** → **PMFY-P12NBMU-E#2**  
**PMFY-P15NBMU-E<sub>1</sub>** → **PMFY-P15NBMU-E#2**

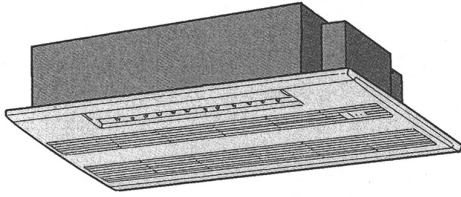
1. CONTROLLER BOARD (I.B) has been changed.
2. PANEL has been changed.  
PMP-16BMU → PMP-16BMUW  
(White : 0.98Y 8.99/0.63) (Pure white : 6.4Y 8.9/0.4)
3. FAN MOTOR (MF) has been changed.
4. THERMISTORS (TH22, TH23) have been changed.

**PMFY-P06NBMU-E** → **PMFY-P06NBMU-E<sub>1</sub>**  
**PMFY-P08NBMU-E** → **PMFY-P08NBMU-E<sub>1</sub>**  
**PMFY-P12NBMU-E** → **PMFY-P12NBMU-E<sub>1</sub>**  
**PMFY-P15NBMU-E** → **PMFY-P15NBMU-E<sub>1</sub>**

1. FAN MOTOR (MF) has been changed.
2. CONTROLLER BOARD (I.B) has been changed.

## 2

## FEATURES



Indoor Unit

### Models

PMFY-P06NBMU-E  
PMFY-P08NBMU-E  
PMFY-P12NBMU-E  
PMFY-P15NBMU-E

### Cooling capacity / Heating capacity

|                 |       |
|-----------------|-------|
| 6,000 / 6,700   | Btu/h |
| 8,000 / 9,000   | Btu/h |
| 12,000 / 13,500 | Btu/h |
| 15,000 / 17,000 | Btu/h |

### 1. Fresh Air Intake

Air recycled indefinitely can become stale and stagnant with air quality suffering significantly. Fresh air is the answer and it is for this reason that the PMFY- series takes in air directly from outdoors. This fresh air intake allows you to enjoy the comfort of crisp, refreshing air in the confines of your living or working space.

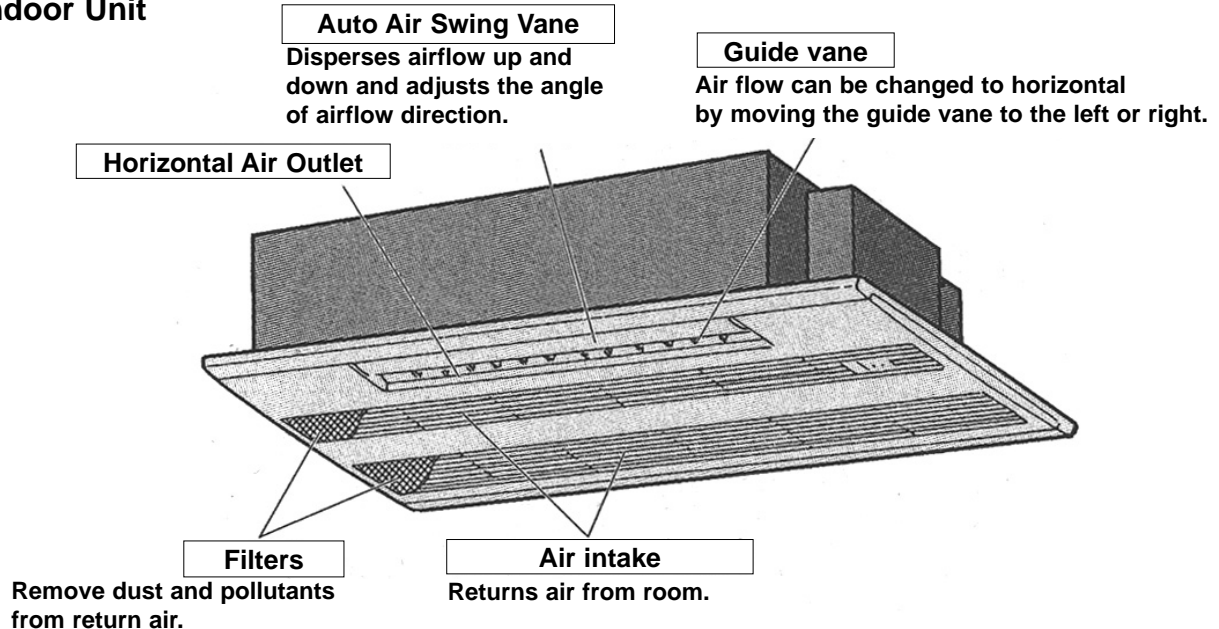
### 2. Light and Compact

The main unit weighs only 31 lb. and the panel merely 7 lb. This makes the PMFY- series one of the lightest in the industry. The unit size is also quite small, having been standardized to a strikingly compact 33-5/8 inch. All of this make the chore of installation and maintenance that much simpler and easier.

## 3

## PART NAMES AND FUNCTIONS

### • Indoor Unit



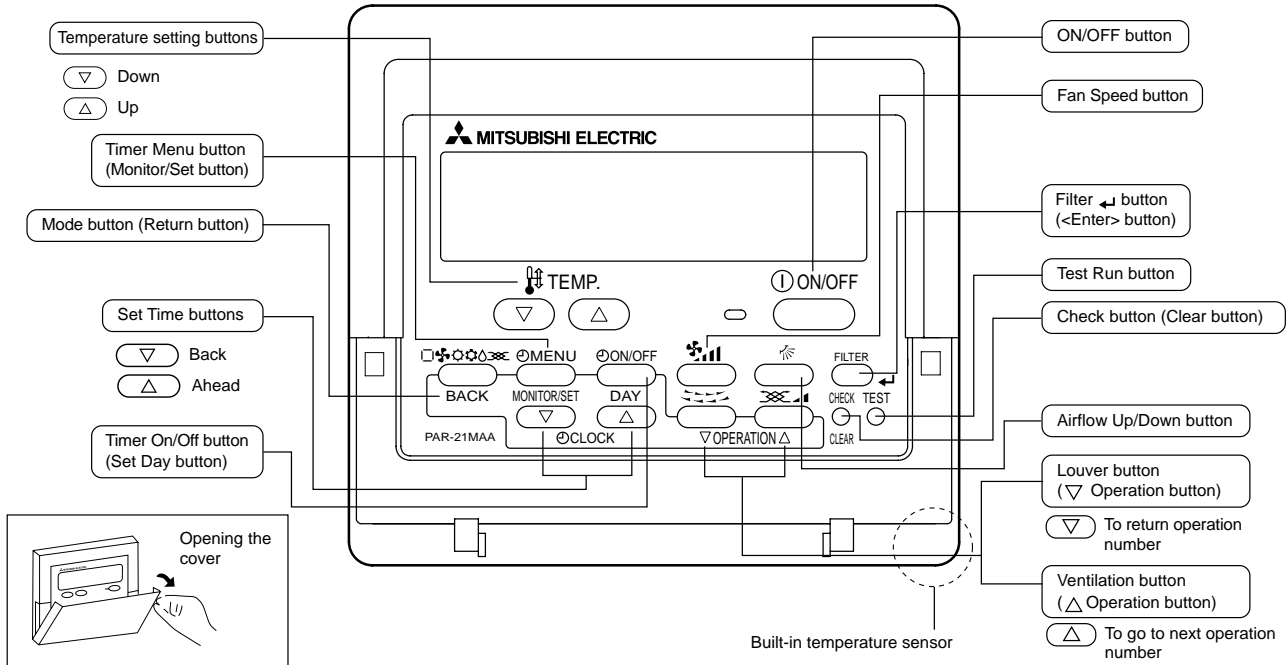
## ● Wired remote controller

Once the controllers are set, the same operation mode can be repeated by simply pressing the ON/OFF button.

### Note:

The phrase "Wired remote controller" in this manual refers only to the PAR-21MAA.

If you need any information for the other remote controller, please refer to either the installation manual or initial setting manual which are included in remote controller's box.



## Display Section

For the purposes of this explanation, all parts of the display are shown. During actual operation, only the relevant items will be lit.

**Identifies the current operation**  
Shows the operating mode, etc.  
\*Multilanguage display is available.

**"Centrally Controlled" indicator**  
Indicates that operation from the remote controller has been prohibited by a master controller.

**"Timer is Off" indicator**  
Indicates that the timer is off.

**Temperature Setting**  
Shows the target temperature.

**Day-of-Week**  
Shows the current day of the week.

**Time/Timer Display**  
Shows the current time, unless the simple or Auto Off timer is set.  
If the simple or Auto Off timer is set, the time to be switched off is shown.

**Up/Down Air Direction indicator**  
Shows the direction of the outgoing airflow.

**"One Hour Only" indicator**  
Displays if the airflow is set to low or downward during COOL or DRY mode. (Operation varies according to model.)  
The indicator goes off in one hour, when the airflow direction also changes.

**Room Temperature display**  
Shows the room temperature. The room temperature display range is 46~102°F. The display blinks if the temperature is less than 46°F or 102°F or more.

**Louver display**  
Indicates the action of the swing louver. Does not appear if the louver is not running.

**(Power On indicator)**  
Indicates that the power is on.

**"Sensor" indication**  
Displays when the remote controller sensor is used.

**"Locked" indicator**  
Indicates that remote controller buttons have been locked.

**"Clean The Filter" indicator**  
To be displayed on when it is time to clean the filter.

**Timer indicators**  
The indicator comes on if the corresponding timer is set.

**Fan Speed indicator**  
Shows the selected fan speed.

**Ventilation indicator**  
Appears when the unit is running in Ventilation mode.

# 4

# SPECIFICATION

## 4-1. SPECIFICATIONS

| Item                      |                          | Service ref.  |                   | PMFY-P06NBMU-E              | PMFY-P08NBMU-E              | PMFY-P12NBMU-E              | PMFY-P15NBMU-E              |
|---------------------------|--------------------------|---|-------------------|-----------------------------|-----------------------------|-----------------------------|-----------------------------|
|                           |                          |   |                   | PMFY-P06NBMU-E <sub>1</sub> | PMFY-P08NBMU-E <sub>1</sub> | PMFY-P12NBMU-E <sub>1</sub> | PMFY-P15NBMU-E <sub>1</sub> |
|                           |                          |   |                   | PMFY-P06NBMU-E#2            | PMFY-P08NBMU-E#2            | PMFY-P12NBMU-E#2            | PMFY-P15NBMU-E#2            |
|                           |                          |   |                   | PMFY-P06NBMU-ER3            | PMFY-P08NBMU-ER3            | PMFY-P12NBMU-ER3            | PMFY-P15NBMU-ER3            |
|                           |                          |   |                   | PMFY-P06NBMU-ER4            | PMFY-P08NBMU-ER4            | PMFY-P12NBMU-ER4            | PMFY-P15NBMU-ER4            |
|                           |                          |   |                   | PMFY-P06NBMU-ER5            | PMFY-P08NBMU-ER5            | PMFY-P12NBMU-ER5            | PMFY-P15NBMU-ER5            |
| Power                     | V · Hz                   | Single phase 208-230V 60Hz  |                   |                             |                             |                             |                             |
| Cooling capacity          | Btu/h                    | 6,000   | 8,000             | 12,000                      | 15,000                      |                             |                             |
| Heating capacity          | Btu/h                    | 6,700   | 9,000             | 13,500                      | 17,000                      |                             |                             |
| Electric characteristic   | Input                    | Cooling   | kW                | 0.042                       | 0.042                       | 0.044                       | 0.054                       |
|                           |                          | Heating   | kW                | 0.042                       | 0.042                       | 0.044                       | 0.054                       |
|                           | Current                  | Cooling   | A                 | 0.20                        | 0.20                        | 0.21                        | 0.26                        |
|                           |                          | Heating   | A                 | 0.20                        | 0.20                        | 0.21                        | 0.26                        |
| Exterior (munsell symbol) | —                        | Unit : Galvanized sheets · Standard grilles : ABS resin acrylic coating<br>Munsell <0.98Y 8.99/0.63> (PMFY-P-NBMU-E <sub>(1)</sub> ) / <6.4Y 8.9/0.4> (PMFY-P-NBMU-E#2/ER3/ER4/ER5) |                   |                             |                             |                             |                             |
| Dimensions                | Height                   | in.   | 9-1/16<1-3/16>    |                             |                             |                             |                             |
|                           | Width                    | in.   | 31-15/16<39-3/8>  |                             |                             |                             |                             |
|                           | Depth                    | in.   | 15-9/16<18-1/2>   |                             |                             |                             |                             |
| Heat exchanger            | —                        | Cross fin   |                   |                             |                             |                             |                             |
| Performance               | Fan x No                 | —   | Line flow fan x 1 |                             |                             |                             |                             |
|                           | Air flow ※3              | CFM   | 230-250-280-300   | 250-280-300-320             |                             | 270-300-340-370             |                             |
|                           | External static pressure | in W.G.   | 0                 |                             |                             |                             |                             |
|                           | Fan motor output         | kW  | 0.028             |                             |                             |                             |                             |
| Insulator                 | —                        | Polyethylene sheet  |                   |                             |                             |                             |                             |
| Air filter                | —                        | PP honey comb fabric  |                   |                             |                             |                             |                             |
| Pipe dimensions           | Gas side                 | φin.  | 1/2               |                             |                             |                             |                             |
|                           | Liquid side              | φin.  | 1/4               |                             |                             |                             |                             |
| Field drain pipe size     | φin.                     | 1 O.D. (PVC pipe VP-20 connectable)   |                   |                             |                             |                             |                             |
| Noise level ※3            | dB                       | 27-30-33-35   | 32-34-36-37       |                             | 33-35-37-39                 |                             |                             |
| Product weight            | lb.                      | 31<7>   |                   |                             |                             |                             |                             |

Note 1. Rating conditions

Cooling: Indoor: D.B. 80°F W.B. 67°F  
outdoor: D.B. 95°F W.B. 75°F

Heating: Indoor: D.B. 70°F  
outdoor: D.B. 47°F W.B. 43°F

Note 2. The number indicated in < > is for the grille.

※ 3. Air flow and the noise level are indicated as Low - Medium2 - Medium1 - High.

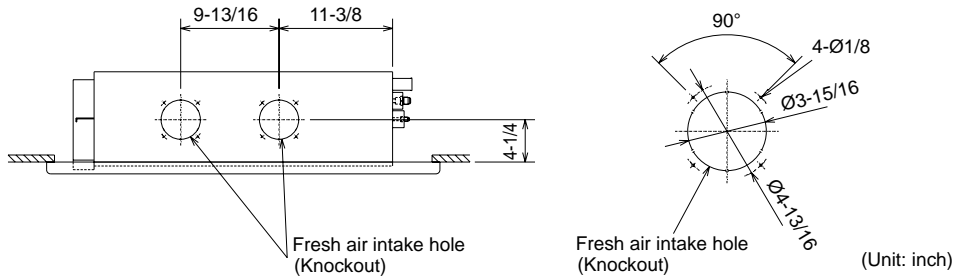
## 4-2. ELECTRICAL PARTS SPECIFICATIONS

| Service Ref.                        | Symbol | PMFY-P06NBMU-E<br>PMFY-P06NBMU-E <sub>1</sub><br>PMFY-P06NBMU-E#2<br>PMFY-P06NBMU-ER3<br>PMFY-P06NBMU-ER4<br>PMFY-P06NBMU-ER5 | PMFY-P08NBMU-E<br>PMFY-P08NBMU-E <sub>1</sub><br>PMFY-P08NBMU-E#2<br>PMFY-P08NBMU-ER3<br>PMFY-P08NBMU-ER4<br>PMFY-P08NBMU-ER5 | PMFY-P12NBMU-E<br>PMFY-P12NBMU-E <sub>1</sub><br>PMFY-P12NBMU-E#2<br>PMFY-P12NBMU-ER3<br>PMFY-P12NBMU-ER4<br>PMFY-P12NBMU-ER5 | PMFY-P15NBMU-E<br>PMFY-P15NBMU-E <sub>1</sub><br>PMFY-P15NBMU-E#2<br>PMFY-P15NBMU-ER3<br>PMFY-P15NBMU-ER4<br>PMFY-P15NBMU-ER5 |
|-------------------------------------|--------|---|---|---|---|
| Room temperature thermistor         | TH21   | Resistance 30°F/15.8kΩ, 50°F/9.6kΩ, 70°F/6.0kΩ, 80°F/4.8kΩ, 90°F/3.9kΩ, 100°F/3.2kΩ   |   |   |   |
| Liquid pipe thermistor              | TH22   | Resistance 30°F/15.8kΩ, 50°F/9.6kΩ, 70°F/6.0kΩ, 80°F/4.8kΩ, 90°F/3.9kΩ, 100°F/3.2kΩ   |   |   |   |
| Gas pipe thermistor                 | TH23   | Resistance 30°F/15.8kΩ, 50°F/9.6kΩ, 70°F/6.0kΩ, 80°F/4.8kΩ, 90°F/3.9kΩ, 100°F/3.2kΩ   |   |   |   |
| Fuse<br>(Indoor controller board)   | FUSE   | 250V 6A (PMFY-P·NBMU-E <sub>(1)</sub> )<br>250V 6.3A (PMFY-P·NBMU-E#2/ER3/ER4/ER5)  |   |   |   |
| Fan motor                           | MF     | DC Brushless Motor<br>8-pole OUTPUT 28W<br>PN0H28-MB  |   |   |   |
| Vane motor                          | MV     | MSFJC 20M23<br>12V/380Ω   |   |   |   |
| Drain pump                          | DP     | PJV-1063<br>208-240V 50/60Hz  |   |   |   |
| Drain sensor                        | DS     | Thermistor resistance 30°F/6.3kΩ, 50°F/3.9kΩ, 70°F/2.5kΩ, 80°F/2.0kΩ, 90°F/1.6kΩ, 100°F/1.3kΩ                                 |   |   |   |
| Linear expansion valve              | LEV    | DC12V Stepping motor drive<br>port dimension $\phi$ 3.2 (0~2000pulse)<br>EDM-40YGME   |   |   |   |
| Power supply terminal block         | TB2    | (L1, L2, GR) Rated to 330V 30A ※  |   |   |   |
| Transmission terminal block         | TB5    | (M1, M2, S) Rated to 250V 20A ※   |   |   |   |
| MA-remote controller terminal block | TB15   | (1,2) Rated to 250V 10A ※   |   |   |   |

※Note : Refer to WIRING DIAGRAM for the supplied voltage.

### 4-3. AIR CAPACITY TAKEN FROM OUTSIDE

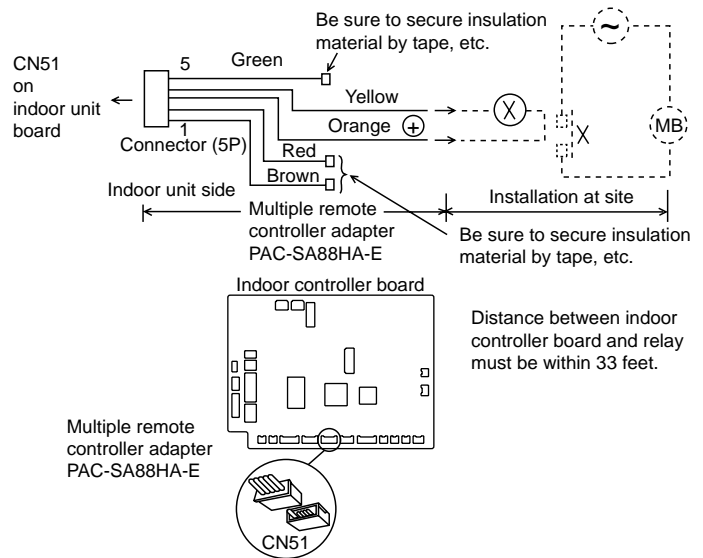
PMFY-P-NBMU-E series are capable of taking air from outside. When taking air from outside, the duct fan is used. The air capacity should be 20% or less of the airflow SPEC (Hi).



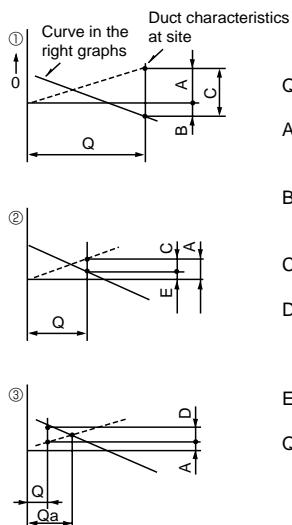
| Service Ref.                   | Air flow (Hi) | Air capacity taken from outside |
|--------------------------------|---------------|---------------------------------|
| PMFY-P06NBMU-E/E#2/ER3/ER4/ER5 | 300 CFM       | 60CFM                           |
| PMFY-P08NBMU-E/E#2/ER3/ER4/ER5 | 320 CFM       | 64CFM                           |
| PMFY-P12NBMU-E/E#2/ER3/ER4/ER5 | 320CFM        | 64CFM                           |
| PMFY-P15NBMU-E/E#2/ER3/ER4/ER5 | 370CFM        | 74CFM                           |

#### Operation in conjunction with duct fan (Booster fan)

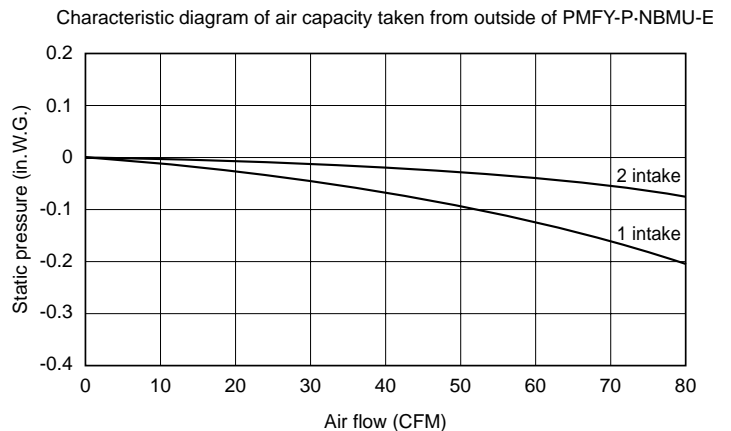
- Whenever the indoor unit is operating, the duct fan operates.
- (1) Connect the optional multiple remote controller adaptor (PAC-SA88HA-E) to the connector CN51 on the indoor controller board.
- (2) Drive the relay after connecting the 12V DC relay between the Yellow and Orange connector lines.
- (\*) Use a relay of 1W or smaller.
- MB: Electromagnetic switch power relay for duct fan.
- X: Auxiliary relay (12V DC LY-1F)



#### How to read curves



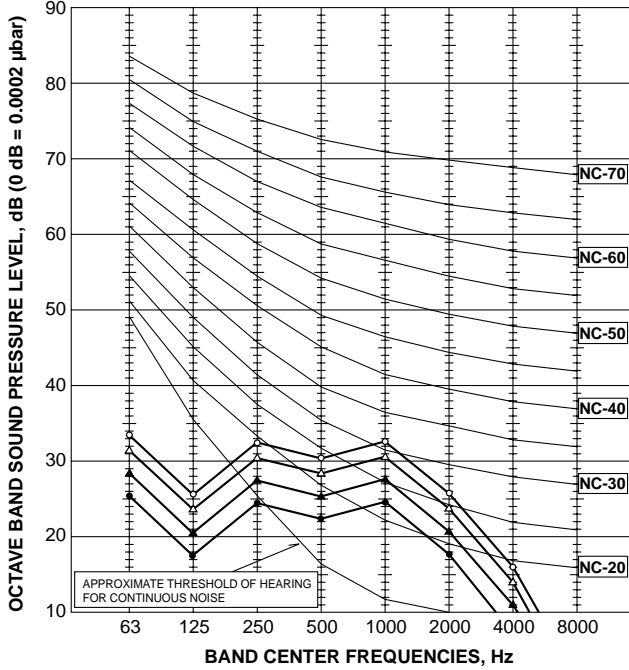
- Q...Designed amount of fresh air intake <CFM>
- A...Static pressure loss of fresh air intake duct system with air flow amount Q <in. W.G>
- B...Forced static pressure at air conditioner inlet with air flow amount Q <in. W.G>
- C...Static pressure of booster fan with air flow amount Q <in. W.G>
- D...Static pressure loss increase amount of fresh air intake duct system for air flow amount Q <in. W.G>
- E...Static pressure of indoor unit with air flow amount Q <in. W.G>
- Qa...Estimated amount of fresh air intake without D <CFM>



## 4-4. NOISE CRITERION CURVES

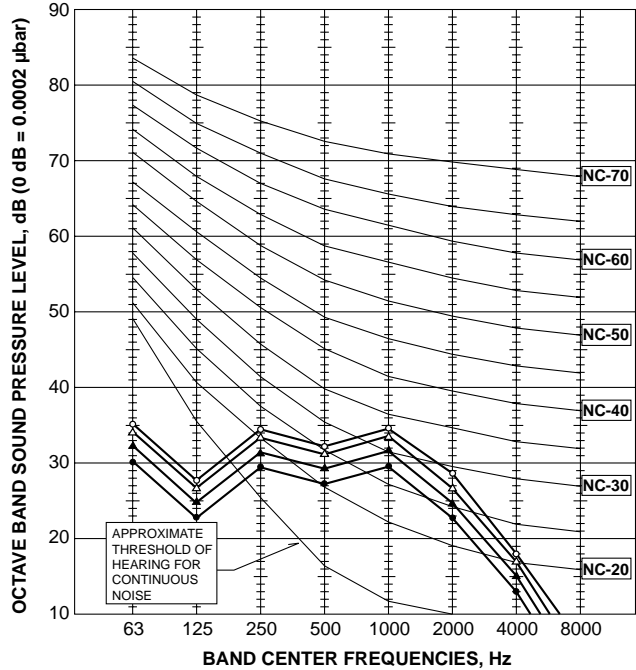
PMFY-P06NBMU-E  
 PMFY-P06NBMU-E<sub>1</sub>  
 PMFY-P06NBMU-E#2  
 PMFY-P06NBMU-ER3  
 PMFY-P06NBMU-ER4  
 PMFY-P06NBMU-ER5

| NOTCH   | SPL(dB) | LINE |
|---------|---------|------|
| High    | 35      | ○—○  |
| Medium1 | 33      | △—△  |
| Medium2 | 30      | ▲—▲  |
| Low     | 27      | ●—●  |



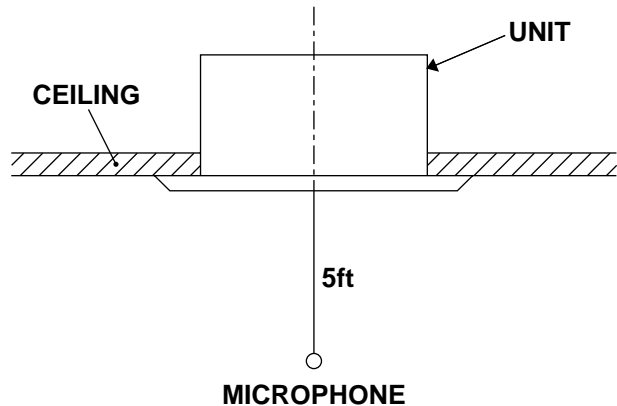
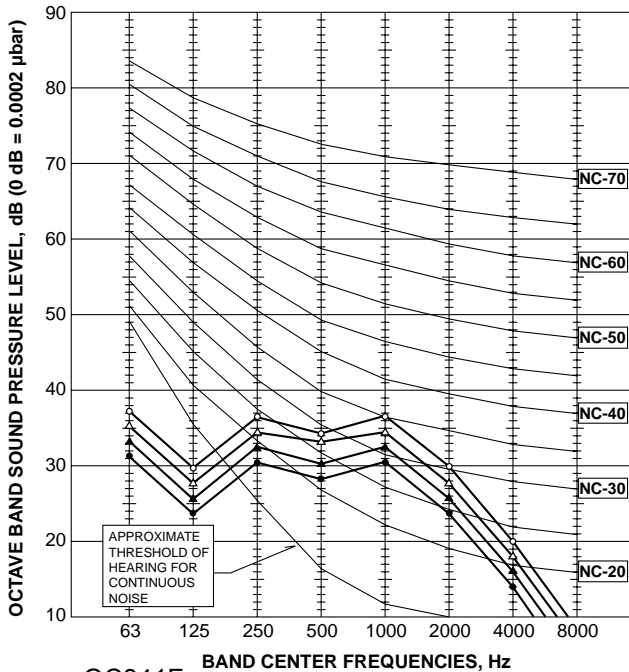
PMFY-P08/12NBMU-E  
 PMFY-P08/12NBMU-E<sub>1</sub>  
 PMFY-P08/12NBMU-E#2  
 PMFY-P08/12NBMU-ER3  
 PMFY-P08/12NBMU-ER4  
 PMFY-P08/12NBMU-ER5

| NOTCH   | SPL(dB) | LINE |
|---------|---------|------|
| High    | 37      | ○—○  |
| Medium1 | 36      | △—△  |
| Medium2 | 34      | ▲—▲  |
| Low     | 32      | ●—●  |



PMFY-P15NBMU-E  
 PMFY-P15NBMU-E<sub>1</sub>  
 PMFY-P15NBMU-E#2  
 PMFY-P15NBMU-ER3  
 PMFY-P15NBMU-ER4  
 PMFY-P15NBMU-ER5

| NOTCH   | SPL(dB) | LINE |
|---------|---------|------|
| High    | 39      | ○—○  |
| Medium1 | 37      | △—△  |
| Medium2 | 35      | ▲—▲  |
| Low     | 33      | ●—●  |







PMFY-P06NBMU-E PMFY-P08NBMU-E PMFY-P12NBMU-E PMFY-P15NBMU-E

LED on indoor board for service

| Mark | Meaning                               | Function  |
|------|---------------------------------------|---|
| LED1 | Main power supply                     | Main power supply (Indoor unit:208-230V)<br>Power on → Lamp is lit. |
| LED2 | Power supply for MA-Remote controller | Power supply for MA-Remote controller<br>on → Lamp is lit.          |

| Symbol | Name                    | Symbol | Name                   | Symbol | Name   |
|--------|-------------------------|--------|------------------------|--------|--|
| I.B    | Indoor controller board | TH21   | Thermistor             | TH21   | Room temp. detection<br>(32 F/15kΩ, 77 F/5.4kΩ)          |
| CN25   | Humidifier Connector    | TH22   |                        | TH22   | Pipe temp. detection / Liquid<br>(32 F/15kΩ, 77 F/5.4kΩ) |
| CN27   | Damper                  | TH23   |                        | TH23   | Pipe temp. detection / Gas<br>(32 F/15kΩ, 77 F/5.4kΩ)    |
| CN82   | Remote switch           | A.B    | Address board          |        |  |
| CN51   | Centrally control       | SW1    | Address Switch         |        |  |
| CN52   | Centrally Indication    | SW5    | Mode selection         |        |  |
| SW2    | Switch                  | SW4    | Linear expansion valve |        |  |
| SW3    | Mode selection          | SW5    | Power supply           |        |  |
| SW4    | Model selection         | SW11   | Terminal block         |        |  |
| ZNR    | Varistor                | SW12   | Transmission           |        |  |
| FUSE   | Fuse (6A / 250V)        | SW14   | MA-Remote Controller   |        |  |
|        |                         | TB15   |                        |        |  |

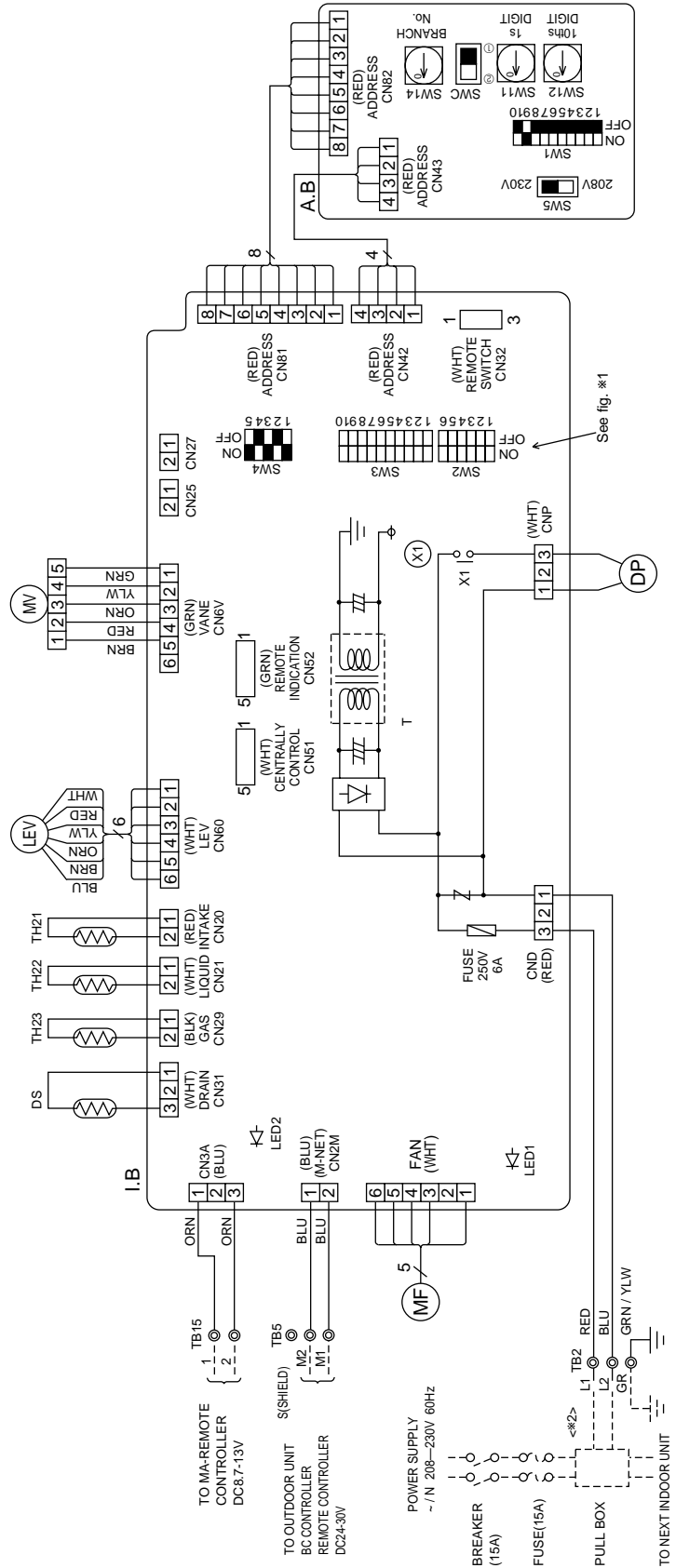
Note

- At servicing for outdoor unit, always follow the wiring diagram of outdoor unit.
- In case of using MA-Remote controller, please connect to TB15. (Remote controller wire is non-polar.)
- In case of using M-NET, please connect to TB5. (Transmission wire is non-polar.)
- Symbol [S] of TB5 is the shield wire connection.
- Symbols used in wiring diagram above are, ⊙ : terminal block, □□ : connector.
- The setting of the SW2, SW3 dip switches differs in the capacity. For the detail, refer to fig. \*1.
- Please set the switch SW5 according to the power supply voltage.

<fig. \*1>

| Models | SW2                | SW3                         |
|--------|--------------------|-----------------------------|
| P06    | ON OFF 1 2 3 4 5 6 | ON OFF 1 2 3 4 5 6 7 8 9 10 |
| P08    | ON OFF 1 2 3 4 5 6 | ON OFF 1 2 3 4 5 6 7 8 9 10 |
| P12    | ON OFF 1 2 3 4 5 6 | ON OFF 1 2 3 4 5 6 7 8 9 10 |
| P15    | ON OFF 1 2 3 4 5 6 | ON OFF 1 2 3 4 5 6 7 8 9 10 |

(\*2) Use copper supply wire.



PMFY-P06NBMU-E<sub>1</sub> PMFY-P08NBMU-E<sub>1</sub> PMFY-P12NBMU-E<sub>1</sub> PMFY-P15NBMU-E<sub>1</sub>

LED on indoor board for service

| Mark | Meaning                               | Function  |
|------|---------------------------------------|---|
| LED1 | Main power supply                     | Main power supply (Indoor unit:208-230V)<br>Power on → Lamp is lit. |
| LED2 | Power supply for MA-Remote controller | Power supply for MA-Remote controller<br>on → Lamp is lit.          |

| Symbol | Name                    | Symbol | Name                 |
|--------|-------------------------|--------|----------------------|
| I.B    | Indoor controller board | Th21   | Thermistor           |
| CN25   | Connector               | Th22   | Thermistor           |
| CN27   | Humidifier              | Th23   | Thermistor           |
| CN28   | Damper                  | A.B    | Address board        |
| CN32   | Remote switch           | SW1    | Switch               |
| CN51   | Centrally control       | SW5    | Voltage selection    |
| CN52   | Remote indication       | SW11   | Power supply         |
| SW2    | Capacity code           | SW12   | Transmission         |
| SW3    | Mode selection          | SW14   | MA-Remote Controller |
| SW4    | Model selection         |        |                      |
| ZNR    | Varistor                |        |                      |
| FUSE   | Fuse (6A / 250V)        |        |                      |
| X1     | Aux. relay              |        |                      |
| T      | Transformer             |        |                      |
| LED1   | Power supply(LB)        |        |                      |
| LED2   | Power supply(LB)        |        |                      |
| MF     | Fan motor               |        |                      |
| MV     | Vane motor              |        |                      |
| DP     | Drain pump              |        |                      |
| DS     | Drain sensor            |        |                      |
| LEV    | Linear expansion valve  |        |                      |
| TB2    | Terminal                |        |                      |
| TB5    | block                   |        |                      |
| TB15   | MA-Remote Controller    |        |                      |

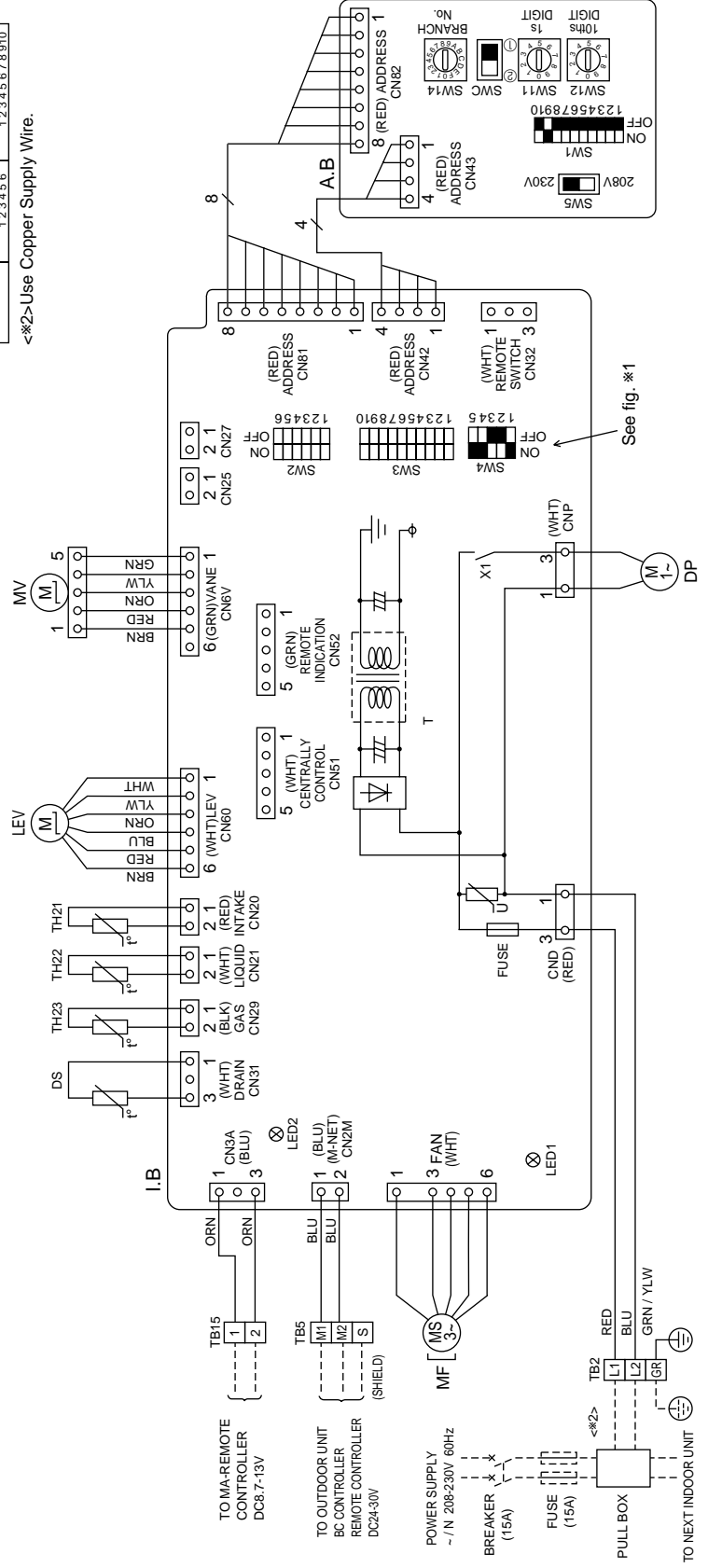
Note

1. At servicing for outdoor unit, always follow the wiring diagram of outdoor unit.
2. In case of using MA-Remote controller, please connect to TB15. (Remote controller wire is non-polar.)
3. In case of using M-NET, please connect to TB5. (Transmission line is non-polar.)
4. Symbol [S] of TB5 is the shield wire connection.
5. Symbols used in wiring diagram above are,   : terminal block,   : connector.
6. The setting of the SW2, SW3 dip switches differs in the capacity. For the detail, refer to fig. \*1.
7. Please set the switch SW5 according to the power supply voltage.

<fig. \*1>

| Models | SW2                   | SW3                            |
|--------|-----------------------|--------------------------------|
| P06    | ON OFF<br>1 2 3 4 5 6 | ON OFF<br>1 2 3 4 5 6 7 8 9 10 |
| P08    | ON OFF<br>1 2 3 4 5 6 | ON OFF<br>1 2 3 4 5 6 7 8 9 10 |
| P12    | ON OFF<br>1 2 3 4 5 6 | ON OFF<br>1 2 3 4 5 6 7 8 9 10 |
| P15    | ON OFF<br>1 2 3 4 5 6 | ON OFF<br>1 2 3 4 5 6 7 8 9 10 |

<\*2>-Use Copper Supply Wire.

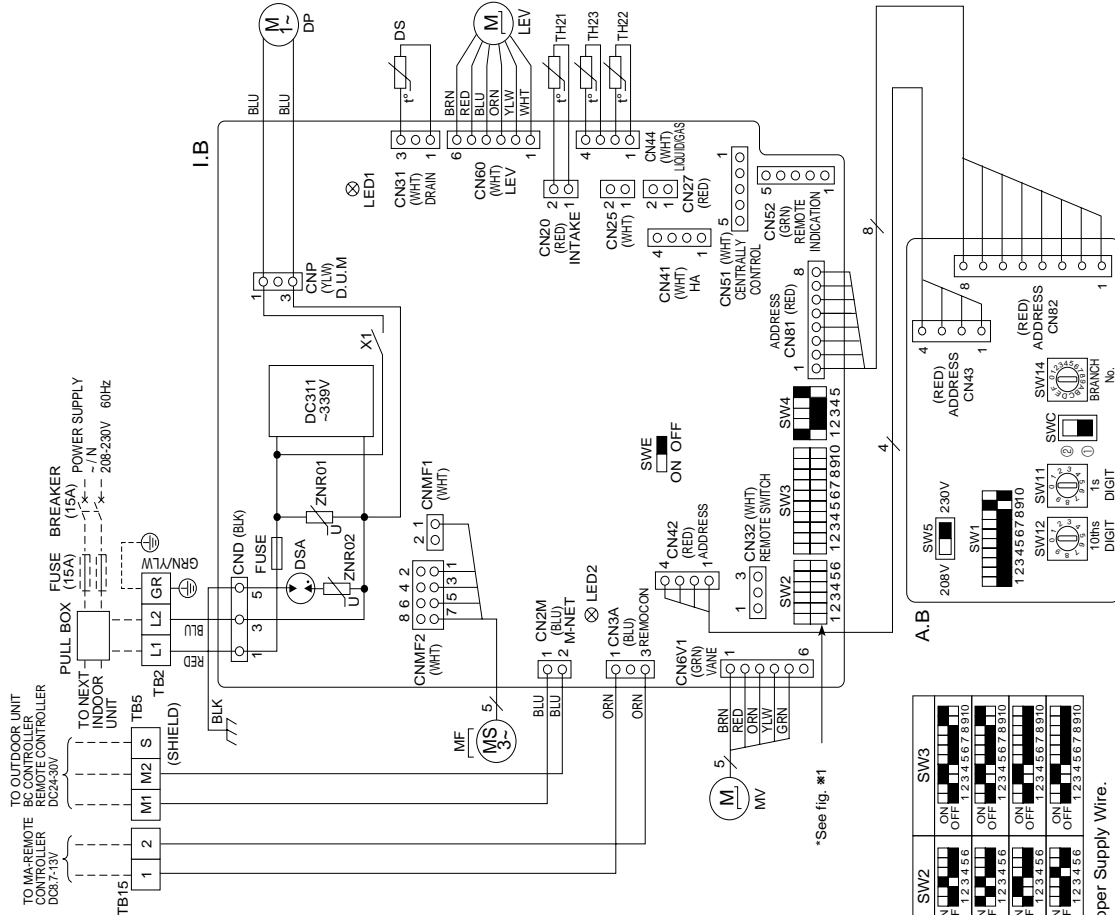


**PMFY-P06NBMU-E#2**  
**PMFY-P06NBMU-ER3**  
**PMFY-P06NBMU-ER4**

**PMFY-P08NBMU-E#2**  
**PMFY-P08NBMU-ER3**  
**PMFY-P08NBMU-ER4**

**PMFY-P12NBMU-E#2**  
**PMFY-P12NBMU-ER3**  
**PMFY-P12NBMU-ER4**

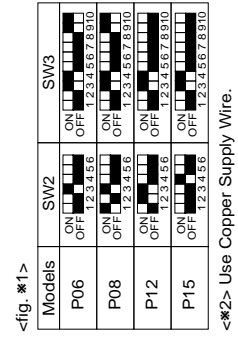
**PMFY-P15NBMU-E#2**  
**PMFY-P15NBMU-ER3**  
**PMFY-P15NBMU-ER4**



| Legend] | Symbol                  | Name                         | Terminal block | Name  |
|---------|-------------------------|------------------------------|----------------|---|
| I.B     | Indoor controller board | Power supply                 | TB5            | Transmission  |
| CN25    | Connector               | Humidifier                   | TB15           | MA-Remote Controller                                  |
| CN32    | Connector               | Damper                       | TH21           | Room temp. detection (32°F/15KΩ, 77°F/5.4KΩ)          |
| CN51    | Connector               | Remote switch                | TH22           | Pipe temp. detection / Liquid (32°F/15KΩ, 77°F/5.4KΩ) |
| CN52    | Connector               | Centrally control            | TH23           | Pipe temp. detection / Gas (32°F/15KΩ, 77°F/5.4KΩ)    |
| SW2     | Switch                  | Capacity code                | A.B            | Mode selection  |
| SW3     | Switch                  | Model selection              | SW1            | Switch  |
| SW4     | Switch                  | Model selection              | SW5            | Voltage selection                                     |
| SW5     | Switch                  | Model selection              | SW11           | Address setting 1s digit                              |
| ZNR     | Variable                | DRAIN UP (MACHINE/TEST MODE) | SW12           | Address setting 10ths digit                           |
| FUSE    | Fuse (T6.3AL 250V)      |                              | SW14           | Branch No.  |
| X1      | Aux. relay              | Drain pump                   |                |   |
| LED1    | LED                     | Power supply (L.B)           |                |   |
| LED2    | LED                     | Power supply (L.B)           |                |   |
| MF      | Fan motor               |                              |                |   |
| DP      | Vane motor              |                              |                |   |
| DS      | Drain pump              |                              |                |   |
| LEV     | Drain sensor            |                              |                |   |
|         | Linear expansion valve  |                              |                |   |

- Note**
1. At servicing for outdoor unit, always follow the wiring diagram of outdoor unit.
  2. In case of using MA-Remote controller, please connect to TB15. (Remote controller wire is non-polar.)
  3. In case of using M-NET, please connect to TB5. (Transmission line is non-polar.)
  4. Symbol [S] of TB5 is the shield wire connection.
  5. Symbols used in wiring diagram above are, □□□ : terminal block, □□□□ : connector.
  6. The setting of the SW2, SW3 dip switches differs in the capacity. For the detail, refer to fig. \*1.
  7. Please set the switch SW5 according to the power supply voltage.

| Mark | Meaning                               | Function   |
|------|---------------------------------------|--|
| LED1 | Main power supply                     | Main power supply (Indoor unit:208-230V)<br>Power on → lamp is lit |
| LED2 | Power supply for MA-Remote controller | Power supply for MA-Remote controller<br>on → lamp is lit          |

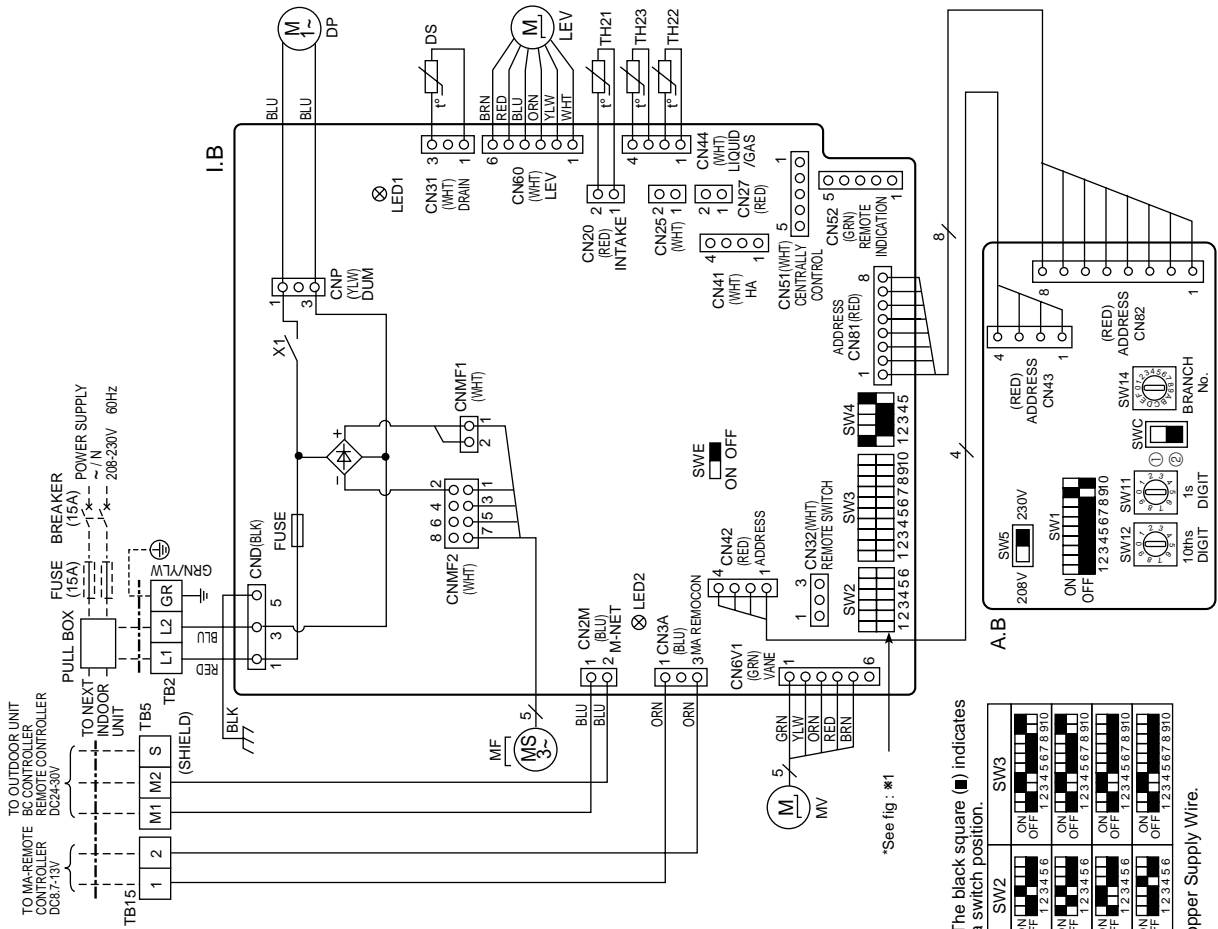


PMFY-P06NBMU-ER5

PMFY-P08NBMU-ER5

PMFY-P12NBMU-ER5

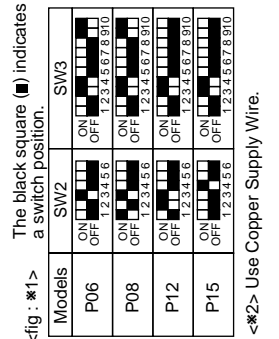
PMFY-P15NBMU-ER5



| Symbol | Name                         | Symbol | Name                   |
|--------|------------------------------|--------|------------------------|
| I.B    | Indoor controller board      | TB2    | Terminal block         |
| CN25   | Connector                    | TB5    | Terminal block         |
| CN27   | Damper                       | TB15   | Terminal block         |
| CN32   | Remote switch                | TH21   | Thermistor             |
| CN51   | Centrally control            | TH22   | Thermistor             |
| CN52   | Remote indication            | TH23   | Thermistor             |
| SW2    | Switch                       | A.B    | Address board          |
| SW3    | Capacity code                | SW1    | Switch                 |
| SW4    | Modal selection              | SW5    | Switch                 |
| SW5    | DRAIN UP MACHINE( TEST MODE) | X1     | Aux. relay             |
| FUSE   | Fuse (T6.3AL 250V)           | LED1   | Power supply (LB)      |
| MF     | Fan motor                    | LED2   | Power supply (LB)      |
| MV     | Vane motor                   | DP     | Drain sensor           |
| DS     | Drain water lifting-up mech. | LEV    | Linear expansion valve |
| DP     | Drain sensor                 |        |                        |
| LEV    | Linear expansion valve       |        |                        |

- Note**
- At servicing for outdoor unit, always follow the wiring diagram of outdoor unit.
  - In case of using MA-Remote controller, please connect to TB15.  
(Remote controller wire is non-polar.)
  - In case of using M-NET, please connect to TB5.  
(Transmission line is non-polar.)
  - Symbol [S] of TB5 is the shield wire connection.
  - Symbols used in wiring diagram above are,  : terminal block,  : connector.
  - The setting of the SW2, SW3 dip switches differs in the capacity for the detail, refer to the fig : \*1.
  - Please set the switch SW5 according to the power supply voltage.

| Mark | Meaning                               | Function   |
|------|---------------------------------------|--|
| LED1 | Main power supply                     | Main power supply (Indoor unit:208-230V)<br>Power on → lamp is lit |
| LED2 | Power supply for MA-Remote controller | Power supply for MA-Remote controller<br>on → lamp is lit          |

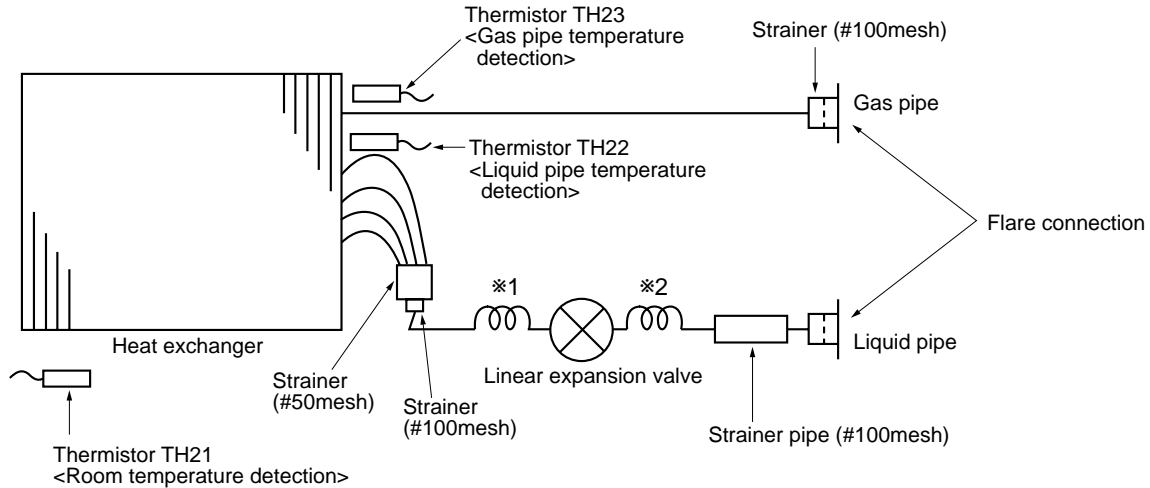


PMFY-P06NBMU-E  
 PMFY-P06NBMU-E<sub>1</sub>  
 PMFY-P06NBMU-E#2  
 PMFY-P06NBMU-ER3  
 PMFY-P06NBMU-ER4  
 PMFY-P06NBMU-ER5

PMFY-P08NBMU-E  
 PMFY-P08NBMU-E<sub>1</sub>  
 PMFY-P08NBMU-E#2  
 PMFY-P08NBMU-ER3  
 PMFY-P08NBMU-ER4  
 PMFY-P08NBMU-ER5

PMFY-P12NBMU-E  
 PMFY-P12NBMU-E<sub>1</sub>  
 PMFY-P12NBMU-E#2  
 PMFY-P12NBMU-ER3  
 PMFY-P12NBMU-ER4  
 PMFY-P12NBMU-ER5

PMFY-P15NBMU-E  
 PMFY-P15NBMU-E<sub>1</sub>  
 PMFY-P15NBMU-E#2  
 PMFY-P15NBMU-ER3  
 PMFY-P15NBMU-ER4  
 PMFY-P15NBMU-ER5



Unit: in.(mm)

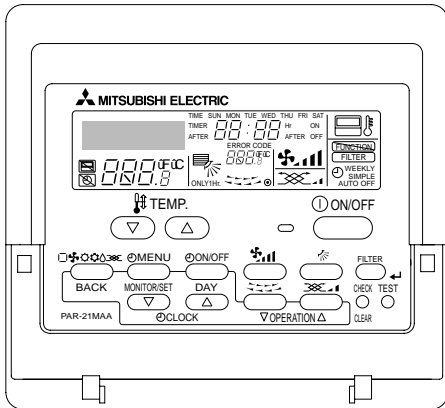
|              |   |
|--------------|---|
| Service Ref. | PMFY-P06/P08/P12/P15NBMU-E<br>PMFY-P06/P08/P12/P15NBMU-E <sub>1</sub><br>PMFY-P06/P08/P12/P15NBMU-E#2<br>PMFY-P06/P08/P12/P15NBMU-ER3<br>PMFY-P06/P08/P12/P15NBMU-ER4<br>PMFY-P06/P08/P12/P15NBMU-ER5 |
| Item         |   |
| Gas pipe     | φ1/2"(12.7)   |
| Liquid pipe  | φ1/4"(6.35)   |

Unit: mm

|                   |   |   |
|-------------------|---|---|
| Service Ref.      | PMFY-P06/P08NBMU-E<br>PMFY-P06/P08NBMU-E <sub>1</sub><br>PMFY-P06/P08NBMU-E#2<br>PMFY-P06/P08NBMU-ER3<br>PMFY-P06/P08NBMU-ER4<br>PMFY-P06/P08NBMU-ER5 | PMFY-P12/P15NBMU-E<br>PMFY-P12/P15NBMU-E <sub>1</sub><br>PMFY-P12/P15NBMU-E#2<br>PMFY-P12/P15NBMU-ER3<br>PMFY-P06/P08NBMU-ER4<br>PMFY-P06/P08NBMU-ER5 |
| Item              |   |   |
| Capillary tube *1 | O.D.φ4.6 × I.D.Ø3.4 × l 200   | O.D.φ3.6 × I.D.Ø2.4 × l 200   |
| Capillary tube *2 | O.D.φ3.6 × I.D.Ø2.4 × l 80  |   |

## INDOOR UNIT CONTROL

### 8-1. COOL OPERATION



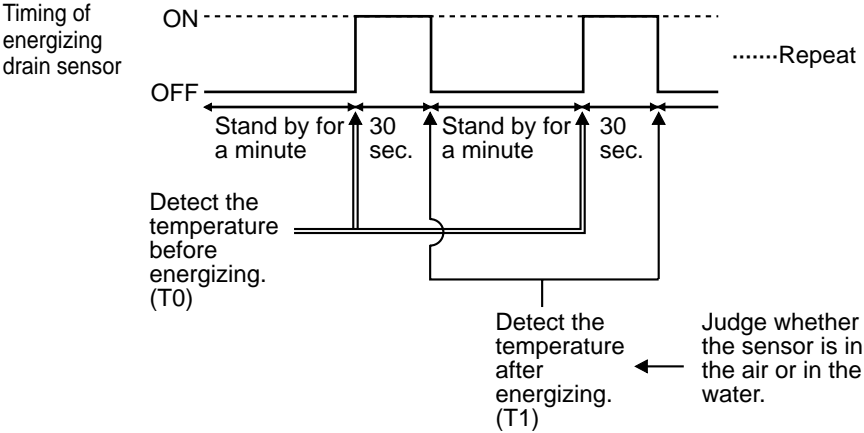
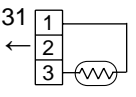
#### <How to operate>

- ① Press POWER ON/OFF button.
- ② Press the operation MODE button to display COOL.
- ③ Press the TEMP. button to set the desired temperature.

**NOTE:** The set temperature changes 2°F when the  $\nabla$  or  $\Delta$  button is pressed once. Cooling 67 to 87°F.

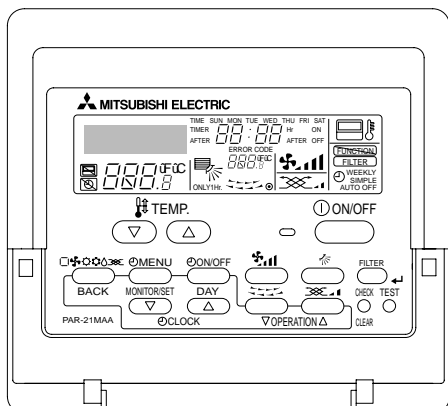
| Control modes          | Control details   | Remarks |                 |          |                                     |  |
|------------------------|---|---------|-----------------|----------|-------------------------------------|--|
| 1. Thermostat function | <p>1-1. Thermostat function</p> <ul style="list-style-type: none"> <li>• Room temperature <math>\geq</math> desired temperature + 2 °F: Thermo ON</li> <li>• Room temperature <math>\leq</math> desired temperature: Thermo OFF</li> </ul>  |         |                 |          |                                     |  |
|                        | <p>1-2. Anti-freezing control</p> <p>Detected condition: When the liquid pipe temp. (TH22) is 32°F or less in 16 minutes from compressors start up, anti-freezing control starts and the thermostat OFF.</p> <p>Released condition: The timer which prevents reactivating is set for 3 minutes, and anti-freezing control is cancelled when any one of the following conditions is satisfied.</p> <ol style="list-style-type: none"> <li>① Liquid pipe temp. (TH22) turns to be 50°F or above.</li> <li>② The condition of the thermostat OFF becomes complete by thermostat, etc.</li> <li>③ The operation mode becomes a mode other than COOL.</li> <li>④ The operation stops.</li> </ol> |         |                 |          |                                     |  |
|                        | <p>1-3. Compressor time delay</p> <ul style="list-style-type: none"> <li>• 3 minutes minimum off cycle.</li> </ul>  |         |                 |          |                                     |  |
| 2. Fan                 | <p>By the remote controller setting (switch of 4 speeds)</p> <table border="1" style="margin-left: auto; margin-right: auto;"> <thead> <tr> <th>Type</th> <th>Fan speed notch</th> </tr> </thead> <tbody> <tr> <td>4 speeds</td> <td>[Low], [Medium2], [Medium1], [High]</td> </tr> </tbody> </table>   | Type    | Fan speed notch | 4 speeds | [Low], [Medium2], [Medium1], [High] |  |
| Type                   | Fan speed notch   |         |                 |          |                                     |  |
| 4 speeds               | [Low], [Medium2], [Medium1], [High]   |         |                 |          |                                     |  |



| Control modes                    | Control details  | Remarks   |
|----------------------------------|--|---|
| 3. Drain pump                    | <p>3-1. Drain pump control</p> <ul style="list-style-type: none"> <li>• Always drain pump ON during the COOL and DRY mode operation. (Regardless of the thermostat ON/OFF)</li> <li>• When the operation mode is changed from COOL or DRY to any other mode (including Stop), the drain pump continues to run for 3 minutes.</li> </ul> <p><b>Drain sensor function</b></p> <ul style="list-style-type: none"> <li>• The indoor circuit board energizes the drain sensor at a fixed voltage for a fixed duration. After energizing, the circuit board compares the drain sensor's temperature to the one before energizing, and judges whether the sensor is in the air or in the water.</li> </ul> <p><b>Basic control system</b></p> <ul style="list-style-type: none"> <li>• While drain pump is turned on, it will repeat the following control system and judge whether the sensor is in the air or in the water.</li> </ul> <p>Timing of energizing drain sensor</p>  <p>• Drain sensor temperature rise (t)</p> <p>• Temperature of drain sensor before current is applied (<math>T_0</math>)</p> <p>• Temperature of drain sensor after current is applied (<math>T_1</math>)</p> <p>[ <math>t = T_1 - T_0</math> ]</p> | <p>※1<br/>Drain sensor<br/>Indoor controller<br/>board<br/>CN31</p>  |
| 4. Vane<br>(up/down vane change) | <p>(1) Initial setting : Start at COOL mode and horizontal vane.</p> <p>(2) Vane position : Horizontal → Downward A → Downward B → Downward C → Swing</p> <p>(3) Restriction of the downward vane setting<br/>When setting the downward vane A, B or C in [Medium1], [Medium2] or [Low] of the fan speed notch, the vane changes to horizontal position after 1 hour has passed.</p>   | <p>※1<br/>"Only 1 Hr"<br/>appears on the<br/>wired remote<br/>controller.</p>   |



## 8-2. DRY OPERATION



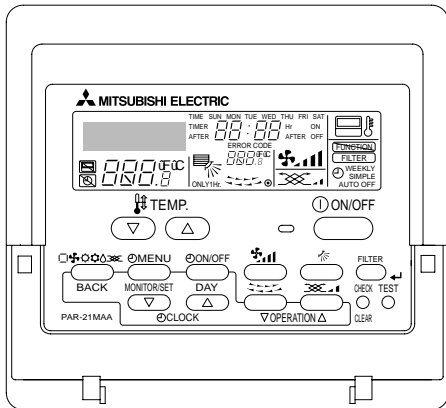
### <How to operate>

- ① Press POWER ON/OFF button.
- ② Press the operation MODE button to display DRY.
- ③ Press the TEMP. button to set the desired temperature.

**NOTE:** The set temperature changes 2°F when the  $\nabla$  or  $\Delta$  button is pressed once. Dry 67 to 87°F.

| Control modes                 | Control details  | Remarks               |  |                         |                        |                         |          |                       |           |    |                |   |   |                       |   |   |                       |   |   |           |   |   |  |     |               |   |    |                |              |  |  |  |  |
|-------------------------------|--|-----------------------|--|-------------------------|------------------------|-------------------------|----------|-----------------------|-----------|----|----------------|---|---|-----------------------|---|---|-----------------------|---|---|-----------|---|---|--|-----|---------------|---|----|----------------|--------------|--|--|--|--|
| 1. Thermostat function        | <p>1-1. Dry mode temperature is controlled by TH21.<br/>           Dry mode ON Room temperature <math>\geq</math> desired temperature + 2°F<br/>           Dry mode OFF Room temperature <math>\leq</math> desired temperature</p> <table border="1"> <thead> <tr> <th rowspan="2">Room temperature</th> <th colspan="2">3 min. passed since starting operation</th> <th rowspan="2">Dry mode ON time (min)</th> <th rowspan="2">Dry mode OFF time (min)</th> </tr> <tr> <th>Dry mode</th> <th>Room temperature (Ta)</th> </tr> </thead> <tbody> <tr> <td rowspan="4">Over 64°F</td> <td rowspan="4">ON</td> <td>Ta <math>\geq</math> 83°F</td> <td>9</td> <td>3</td> </tr> <tr> <td>83°F &gt; Ta <math>\geq</math> 79°F</td> <td>7</td> <td>3</td> </tr> <tr> <td>79°F &gt; Ta <math>\geq</math> 75°F</td> <td>5</td> <td>3</td> </tr> <tr> <td>75°F &gt; Ta</td> <td>3</td> <td>3</td> </tr> <tr> <td></td> <td>OFF</td> <td>Unconditional</td> <td>3</td> <td>10</td> </tr> <tr> <td>Less than 64°F</td> <td colspan="4">Dry mode OFF</td> </tr> </tbody> </table> <p>1-2. Frozen prevention control<br/>           No control function</p> | Room temperature      | 3 min. passed since starting operation |                         | Dry mode ON time (min) | Dry mode OFF time (min) | Dry mode | Room temperature (Ta) | Over 64°F | ON | Ta $\geq$ 83°F | 9 | 3 | 83°F > Ta $\geq$ 79°F | 7 | 3 | 79°F > Ta $\geq$ 75°F | 5 | 3 | 75°F > Ta | 3 | 3 |  | OFF | Unconditional | 3 | 10 | Less than 64°F | Dry mode OFF |  |  |  |  |
| Room temperature              | 3 min. passed since starting operation   |                       | Dry mode ON time (min)                 | Dry mode OFF time (min) |                        |                         |          |                       |           |    |                |   |   |                       |   |   |                       |   |   |           |   |   |  |     |               |   |    |                |              |  |  |  |  |
|                               | Dry mode   | Room temperature (Ta) |  |                         |                        |                         |          |                       |           |    |                |   |   |                       |   |   |                       |   |   |           |   |   |  |     |               |   |    |                |              |  |  |  |  |
| Over 64°F                     | ON   | Ta $\geq$ 83°F        | 9                                      | 3                       |                        |                         |          |                       |           |    |                |   |   |                       |   |   |                       |   |   |           |   |   |  |     |               |   |    |                |              |  |  |  |  |
|                               |  | 83°F > Ta $\geq$ 79°F | 7                                      | 3                       |                        |                         |          |                       |           |    |                |   |   |                       |   |   |                       |   |   |           |   |   |  |     |               |   |    |                |              |  |  |  |  |
|                               |  | 79°F > Ta $\geq$ 75°F | 5                                      | 3                       |                        |                         |          |                       |           |    |                |   |   |                       |   |   |                       |   |   |           |   |   |  |     |               |   |    |                |              |  |  |  |  |
|                               |  | 75°F > Ta             | 3                                      | 3                       |                        |                         |          |                       |           |    |                |   |   |                       |   |   |                       |   |   |           |   |   |  |     |               |   |    |                |              |  |  |  |  |
|                               | OFF  | Unconditional         | 3                                      | 10                      |                        |                         |          |                       |           |    |                |   |   |                       |   |   |                       |   |   |           |   |   |  |     |               |   |    |                |              |  |  |  |  |
| Less than 64°F                | Dry mode OFF   |                       |  |                         |                        |                         |          |                       |           |    |                |   |   |                       |   |   |                       |   |   |           |   |   |  |     |               |   |    |                |              |  |  |  |  |
| 2. Fan                        | <p>Indoor fan operation control depends on the compressor conditions.</p> <table border="1"> <thead> <tr> <th>Dry mode</th> <th>Fan speed notch</th> </tr> </thead> <tbody> <tr> <td>ON</td> <td>[Low]</td> </tr> <tr> <td>OFF</td> <td>Stop</td> </tr> </tbody> </table> <p>Note: Remote controller setting is not acceptable.</p>  | Dry mode              | Fan speed notch                        | ON                      | [Low]                  | OFF                     | Stop     |                       |           |    |                |   |   |                       |   |   |                       |   |   |           |   |   |  |     |               |   |    |                |              |  |  |  |  |
| Dry mode                      | Fan speed notch  |                       |  |                         |                        |                         |          |                       |           |    |                |   |   |                       |   |   |                       |   |   |           |   |   |  |     |               |   |    |                |              |  |  |  |  |
| ON                            | [Low]  |                       |  |                         |                        |                         |          |                       |           |    |                |   |   |                       |   |   |                       |   |   |           |   |   |  |     |               |   |    |                |              |  |  |  |  |
| OFF                           | Stop   |                       |  |                         |                        |                         |          |                       |           |    |                |   |   |                       |   |   |                       |   |   |           |   |   |  |     |               |   |    |                |              |  |  |  |  |
| 3. Drain pump                 | Same control as COOL operation   |                       |  |                         |                        |                         |          |                       |           |    |                |   |   |                       |   |   |                       |   |   |           |   |   |  |     |               |   |    |                |              |  |  |  |  |
| 4. Vane (up/down vane change) | Same control as COOL operation   |                       |  |                         |                        |                         |          |                       |           |    |                |   |   |                       |   |   |                       |   |   |           |   |   |  |     |               |   |    |                |              |  |  |  |  |

### 8-3. FAN OPERATION

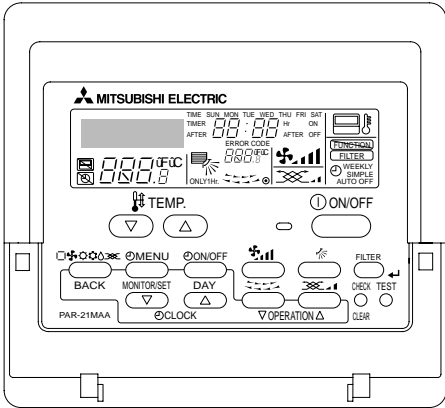


**<How to operate>**

- ① Press POWER ON/OFF button.
- ② Press the operation MODE button to display FAN.

| Control modes                 | Control details  | Remarks |                 |               |                                     |  |
|-------------------------------|--|---------|-----------------|---------------|-------------------------------------|--|
| 1. Fan                        | Set by remote controller. <table border="1" data-bbox="397 793 1007 869" style="margin-left: 40px;"> <tr> <td data-bbox="397 793 627 831">Type</td> <td data-bbox="627 793 1007 831">Fan speed notch</td> </tr> <tr> <td data-bbox="397 831 627 869">4 speeds type</td> <td data-bbox="627 831 1007 869">[Low], [Medium2], [Medium1], [High]</td> </tr> </table>   | Type    | Fan speed notch | 4 speeds type | [Low], [Medium2], [Medium1], [High] |  |
| Type                          | Fan speed notch  |         |                 |               |                                     |  |
| 4 speeds type                 | [Low], [Medium2], [Medium1], [High]  |         |                 |               |                                     |  |
| 2. Drain pump                 | <p>2-1. Drain pump control</p> <p>The drain pump turns ON for the specified amount of time when any of the following conditions is satisfied:</p> <ul style="list-style-type: none"> <li>① ON for 3 minutes after the operation mode is switched from COOL or DRY to another operation mode (FAN).</li> <li>② ON for 6 minutes after the drain sensor is determined to be submerged using the liquid level detection method given below.</li> <li>③ ON for 6 minutes after indoor piping (liquid piping) temperature – indoor room temperature <math>\leq -18^{\circ}\text{F}</math>, AND the drain sensor input is at the short or open level.</li> </ul> <p>(If condition ② or ③ is still being met after the drain pump has been turned ON for 6 minutes, the drain pump is kept ON for a further 6 minutes.)</p> <p>2-2. Liquid level detection method</p> <p>The liquid level is detected by determining whether or not the drain sensor is submerged, based on the amount the temperature rises after self-heating the sensor. This process is performed if any of the following conditions is satisfied:</p> <ul style="list-style-type: none"> <li>① Drain pump is ON.</li> <li>② Indoor piping (liquid piping) temperature – indoor room temperature <math>\leq -18^{\circ}\text{F}</math></li> <li>③ Indoor piping (liquid piping) temperature or indoor room temperature is at the short or open level temperature.</li> <li>④ Every 1 hour after the drain pump has been switched from ON to OFF.</li> </ul> |         |                 |               |                                     |  |
| 3. Vane (up/down vane change) | Same as the control performed during the COOL operation, but with no restriction on the vane's downward blow setting.  |         |                 |               |                                     |  |

## 8-4. HEAT OPERATION



### <How to operate>

- ① Press POWER ON/OFF button.
- ② Press the operation MODE button to display HEAT.
- ③ Press the TEMP. button to set the desired temperature.

**NOTE:** The set temperature changes 2°F when the  $\nabla$  or  $\Delta$  button is pressed once. Heating 63 to 83°F.

### <Display in HEAT operation>

#### [DEFROST]

The [DEFROST] symbol is only displayed during the defrost operation.

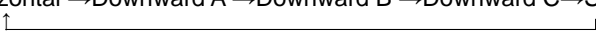
#### [STANDBY]

The [STANDBY] symbol is only displayed during hot adjust mode.

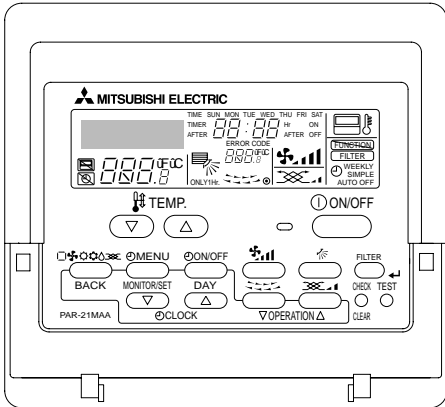
| Control modes          | Control details  | Remarks   |
|------------------------|--|---|
| 1. Thermostat function | 1-1. Minimum compressor off cycle is 3 minutes. <ul style="list-style-type: none"> <li>• Room temperature <math>\leq</math> desired temperature -2°F: Thermo ON</li> <li>• Room temperature <math>\geq</math> desired temperature: Thermo OFF</li> </ul>   |   |
| 2. Fan                 | Controlled by the remote controller (4-speed)<br>Priority is given to below-mentioned control mode <ol style="list-style-type: none"> <li>2-1. Stand by (hot adjust) mode</li> <li>2-2. Preheating exclusion mode</li> <li>2-3. Thermo OFF mode (When the compressor off by the thermostat)</li> <li>2-4. Cool air prevention mode (Defrosting mode)</li> </ol>  |   |
|                        | 2-1. Stand by (hot adjust) mode<br>The fan controller becomes the stand by (hot adjust) mode for the following conditions. <ol style="list-style-type: none"> <li>① When starting the HEAT operation</li> <li>② When the thermostat function changes from OFF to ON.</li> <li>③ When releasing the HEAT defrosting operation</li> </ol> <div style="text-align: center;"> </div> <p>A: Stand by (hot adjust) mode start<br/>           B: 5 minutes have passed since the condition A or the indoor liquid pipe temperature turned 95°F or more<br/>           C: 2 minutes have passed since the condition A (Terminating the stand by (hot adjust) mode)</p> | *1<br>"STAND BY" will be displayed during the stand by (hot adjust) mode. |
|                        | 2-2. Preheating exclusion mode<br>When the condition changes the auxiliary heater ON to OFF (thermostat or operation stop, etc), the indoor fan operates in [Low] mode for 1 minute.   | *1<br>This control is same for the model without auxiliary heater.        |

To be continued to the next page

**From the preceding page**

| Control modes                         | Control details   | Remarks |
|---------------------------------------|---|---------|
| 2. Fan                                | 2-3. Thermo OFF mode<br>When the thermostat function changes to OFF, the indoor fan operates in [Extra low].  |         |
|                                       | 2-4. Heat defrosting mode<br>The indoor fan stops.  |         |
| 3. Drain pump                         | No drain pump operation<br>However, when the control changes from COOL or DRY operation, the drain pump operates for 3 minutes.   |         |
| 4. Vane control (Up/down vane change) | (1) Initial setting : OFF → HEAT...[last setting]<br>When changing the mode from exception of HEAT to HEAT operation ...[Downward C]<br>(2) Vane position :<br>Horizontal →Downward A →Downward B →Downward C→Swing<br><br>(3) Restriction of vane position<br>① The vane is horizontally fixed for the following modes.<br>(The control by the remote controller is temporarily invalidated and controlled by the unit.) <ul style="list-style-type: none"> <li>• Thermo OFF</li> <li>• Stand by (hot adjust) [Extra low] mode</li> <li>• Heat defrost mode</li> </ul> |         |

## 8-5. AUTO OPERATION [AUTOMATIC COOL/HEAT CHANGE OVER OPERATION]



### <How to operate>

- ① Press POWER ON/OFF button.
- ② Press the operation MODE button to display AUTO.
- ③ Press the TEMP. button to set the desired temperature.

**NOTE:** The set temperature changes 2°F when the  $\nabla$  or  $\Delta$  button is pressed once. Automatic 67 to 83°F.  
When in AUTO mode, the unit will switch from either heat or cool automatically to maintain the set temperature.

| Control modes                      | Control details  | Remarks |
|------------------------------------|--|---------|
| 1. Initial value of operation mode | HEAT mode for room temperature < Desired temperature<br>COOL mode for room temperature $\geq$ Desired temperature  |         |
| 2. Mode change                     | (1) HEAT mode $\rightarrow$ COOL mode<br>Room temperature $\geq$ Desired temperature + 3°F or 3 minutes has passed<br>(2) COOL mode $\rightarrow$ HEAT mode<br>Room temperature $\leq$ Desired temperature - 3°F or 3 minutes has passed |         |
| 3. COOL mode                       | Same control as cool operation   |         |
| 4. HEAT mode                       | Same control as heat operation   |         |

## 8-6. WHEN UNIT IS STOPPED

| Control modes | Control details  | Remarks |
|---------------|--|---------|
| 1. Drain pump | <p>1-1. Drain pump control<br/>The drain pump turns ON for the specified amount of time when any of the following conditions is satisfied.<br/>(regardless of whether the compressor is ON or OFF)</p> <ol style="list-style-type: none"> <li>① ON for 3 minutes after the operation mode is switched from COOL or DRY to another operation mode (HEAT mode).</li> <li>② ON for 6 minutes after the drain sensor is determined to be submerged using the liquid level detection method given below.</li> <li>③ ON for 6 minutes after indoor piping (liquid piping) temperature – indoor room temperature <math>\leq</math> 14°F, and the drain sensor input is at the short or open level.<br/>(If condition ② or ③ is still being met after the drain pump has been turned ON for 6 minutes, the drain pump is kept ON for a further 6 minutes.)</li> </ol> <p>1-2. Liquid level detection method<br/>The liquid level is detected by determining whether or not the drain sensor is submerged, based on the amount the temperature rises after self-heating the sensor.<br/>This process is performed if any of the following conditions is satisfied:</p> <ol style="list-style-type: none"> <li>① Drain pump is ON.</li> <li>② Indoor piping (liquid piping) temperature – indoor room temperature <math>\leq</math> 14°F (except during defrosting)</li> <li>③ Indoor piping (liquid piping) temperature or indoor room temperature is at the short or open level temperature.</li> <li>④ Every 1 hour after the drain pump has been switched from ON to OFF.</li> </ol> |         |

**9-1. HOW TO CHECK THE PARTS**

PMFY-P06NBMU-E

PMFY-P08NBMU-E

PMFY-P12NBMU-E

PMFY-P15NBMU-E

PMFY-P06NBMU-E<sub>1</sub>

PMFY-P08NBMU-E<sub>1</sub>

PMFY-P12NBMU-E<sub>1</sub>

PMFY-P15NBMU-E<sub>1</sub>

PMFY-P06NBMU-E#2

PMFY-P08NBMU-E#2

PMFY-P12NBMU-E#2

PMFY-P15NBMU-E#2

PMFY-P06NBMU-ER3

PMFY-P08NBMU-ER3

PMFY-P12NBMU-ER3

PMFY-P15NBMU-ER3

PMFY-P06NBMU-ER4

PMFY-P08NBMU-ER4

PMFY-P12NBMU-ER4

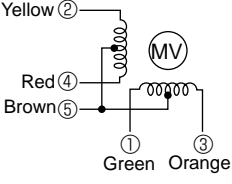
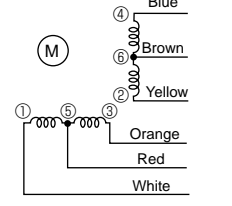
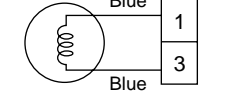
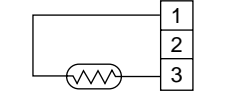
PMFY-P15NBMU-ER4

PMFY-P06NBMU-ER5

PMFY-P08NBMU-ER5

PMFY-P12NBMU-ER5

PMFY-P15NBMU-ER5

| Parts name   | Check points  |               |            |               |               |                |           |               |              |                |               |               |            |  |  |  |
|--|---|---------------|------------|---------------|---------------|----------------|-----------|---------------|--------------|----------------|---------------|---------------|------------|--|--|--|
| <p>Thermistor (TH21)<br/>&lt;Room temperature detection&gt;</p> <p>Thermistor (TH22)<br/>&lt;Liquid pipe temperature detection&gt;</p> <p>Thermistor (TH23)<br/>&lt;Gas pipe temperature detection&gt;</p> | <p>Disconnect the connector then measure the resistance with a tester.<br/>(At the ambient temperature 50°F~86°F)</p> <table border="1" data-bbox="347 640 858 716"> <thead> <tr> <th>Normal</th> <th>Abnormal</th> </tr> </thead> <tbody> <tr> <td>4.3kΩ ~ 9.6kΩ</td> <td>Open or short</td> </tr> </tbody> </table> <p>Refer to the next page for the details.</p>  |               | Normal     | Abnormal      | 4.3kΩ ~ 9.6kΩ | Open or short  |           |               |              |                |               |               |            |  |  |  |
| Normal   | Abnormal  |               |            |               |               |                |           |               |              |                |               |               |            |  |  |  |
| 4.3kΩ ~ 9.6kΩ  | Open or short   |               |            |               |               |                |           |               |              |                |               |               |            |  |  |  |
| <p>Vane motor (MV)</p>    | <p>Measure the resistance between the terminals with a tester.<br/>(At the ambient temperature 68°F~86°F)</p> <table border="1" data-bbox="347 905 1082 1094"> <thead> <tr> <th>Connector</th> <th>Normal</th> <th>Abnormal</th> </tr> </thead> <tbody> <tr> <td>Brown — Yellow</td> <td rowspan="4">380Ω ± 7%</td> <td rowspan="4">Open or short</td> </tr> <tr> <td>Brown — Red</td> </tr> <tr> <td>Brown — Orange</td> </tr> <tr> <td>Brown — Green</td> </tr> </tbody> </table> |               | Connector  | Normal        | Abnormal      | Brown — Yellow | 380Ω ± 7% | Open or short | Brown — Red  | Brown — Orange | Brown — Green |               |            |  |  |  |
| Connector  | Normal  | Abnormal      |            |               |               |                |           |               |              |                |               |               |            |  |  |  |
| Brown — Yellow   | 380Ω ± 7%   | Open or short |            |               |               |                |           |               |              |                |               |               |            |  |  |  |
| Brown — Red  |   |               |            |               |               |                |           |               |              |                |               |               |            |  |  |  |
| Brown — Orange   |   |               |            |               |               |                |           |               |              |                |               |               |            |  |  |  |
| Brown — Green  |   |               |            |               |               |                |           |               |              |                |               |               |            |  |  |  |
| <p>Linear expansion valve (LEV)</p>    | <p>Disconnect the connector then measure the resistance with a tester.</p> <table border="1" data-bbox="347 1199 1209 1314"> <thead> <tr> <th colspan="4">Normal</th> <th>Abnormal</th> </tr> </thead> <tbody> <tr> <td>White-Red</td> <td>Yellow-Brown</td> <td>Orange-Red</td> <td>Blue-Brown</td> <td rowspan="2">Open or short</td> </tr> <tr> <td colspan="4">200Ω ± 10%</td> </tr> </tbody> </table> <p>Refer to the next page for the details.</p>                           |               | Normal     |               |               |                | Abnormal  | White-Red     | Yellow-Brown | Orange-Red     | Blue-Brown    | Open or short | 200Ω ± 10% |  |  |  |
| Normal   |   |               |            | Abnormal      |               |                |           |               |              |                |               |               |            |  |  |  |
| White-Red  | Yellow-Brown  | Orange-Red    | Blue-Brown | Open or short |               |                |           |               |              |                |               |               |            |  |  |  |
| 200Ω ± 10%   |   |               |            |               |               |                |           |               |              |                |               |               |            |  |  |  |
| <p>Drain pump (DP)</p>   | <p>Measure the resistance between the terminals with a tester.<br/>(At the ambient temperature 68°F)</p> <table border="1" data-bbox="347 1507 858 1583"> <thead> <tr> <th>Normal</th> <th>Abnormal</th> </tr> </thead> <tbody> <tr> <td>400Ω~480Ω</td> <td>Open or short</td> </tr> </tbody> </table>  |               | Normal     | Abnormal      | 400Ω~480Ω     | Open or short  |           |               |              |                |               |               |            |  |  |  |
| Normal   | Abnormal  |               |            |               |               |                |           |               |              |                |               |               |            |  |  |  |
| 400Ω~480Ω  | Open or short   |               |            |               |               |                |           |               |              |                |               |               |            |  |  |  |
| <p>Drain sensor (DS)</p>   | <p>Measure the resistance after 3 minutes have passed since the power supply was turned off.<br/>(At the ambient temperature 32°F~140°F)</p> <table border="1" data-bbox="347 1692 858 1768"> <thead> <tr> <th>Normal</th> <th>Abnormal</th> </tr> </thead> <tbody> <tr> <td>0.6kΩ~6.0kΩ</td> <td>Open or short</td> </tr> </tbody> </table> <p>Refer to the next page for the details.</p>   |               | Normal     | Abnormal      | 0.6kΩ~6.0kΩ   | Open or short  |           |               |              |                |               |               |            |  |  |  |
| Normal   | Abnormal  |               |            |               |               |                |           |               |              |                |               |               |            |  |  |  |
| 0.6kΩ~6.0kΩ  | Open or short   |               |            |               |               |                |           |               |              |                |               |               |            |  |  |  |

<Thermistor characteristic graph>

Thermistor for lower temperature

Thermistor <Room temperature detection> (TH21)  
 Thermistor <Liquid pipe temperature detection> (TH22)  
 Thermistor <Gas pipe temperature detection> (TH23)

Thermistor  $R_0=15k\Omega \pm 3\%$   
 Fixed number of  $B=3480 \pm 2\%$

$$R_t = 15 \exp \left\{ 3480 \left( \frac{1}{273 + (t-32)/1.8} - \frac{1}{273} \right) \right\}$$

|       |        |
|-------|--------|
| 30°F  | 15.8kΩ |
| 50°F  | 9.6kΩ  |
| 70°F  | 6.0kΩ  |
| 80°F  | 4.8kΩ  |
| 90°F  | 3.9kΩ  |
| 100°F | 3.2kΩ  |

Thermistor for drain sensor

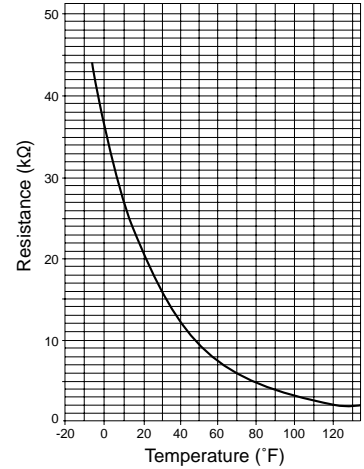
Drain sensor (DS)

Thermistor  $R_0=6.0k\Omega \pm 5\%$   
 Fixed number of  $B=3390 \pm 2\%$

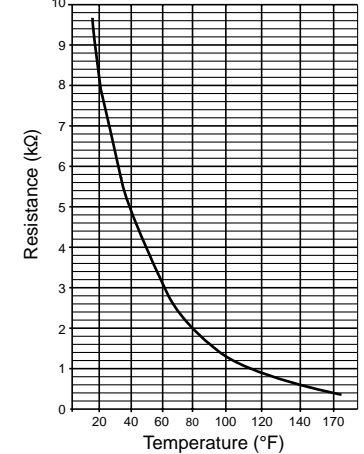
$$R_t = 6 \exp \left\{ 3390 \left( \frac{1}{273 + (t-32)/1.8} - \frac{1}{273} \right) \right\}$$

|      |       |       |       |
|------|-------|-------|-------|
| 30°F | 6.3kΩ | 90°F  | 1.6kΩ |
| 50°F | 3.9kΩ | 100°F | 1.3kΩ |
| 70°F | 2.5kΩ | 140°F | 0.6kΩ |
| 80°F | 2.0kΩ |       |       |

< Thermistor for lower temperature >



< Thermistor for drain sensor >

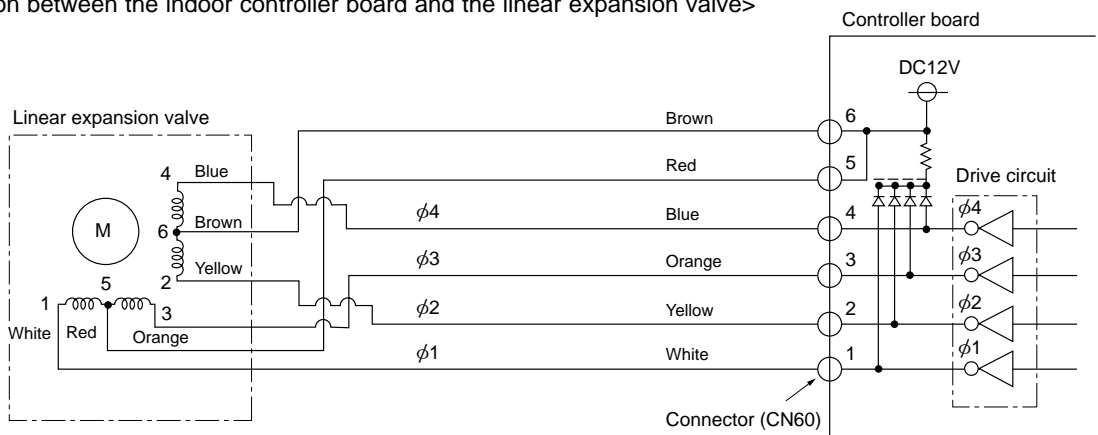


Linear expansion valve

① Operation summary of the linear expansion valve

- Linear expansion valves open/close through the use of a stepping motor after receiving the pulse signal from the indoor controller board.
- Valve position can be changed in proportion to the number of pulse signals.

<Connection between the indoor controller board and the linear expansion valve>



Note : Since the number of the connector at the controller board side and the relay connector are different, follow the color of the lead wire.

### <Output pulse signal and the valve operation>

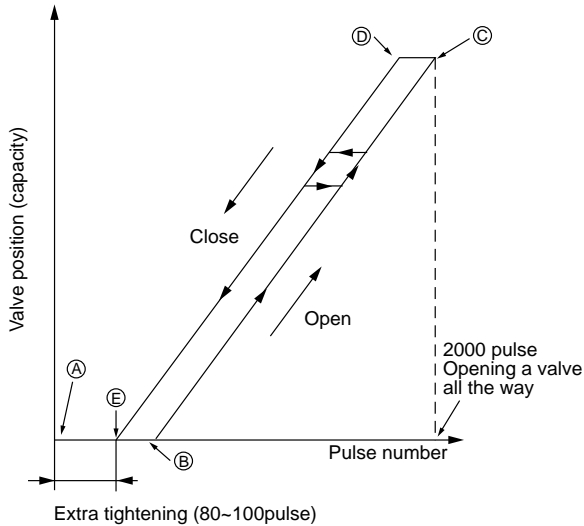
| Output (Phase) | Output |     |     |     |
|----------------|--------|-----|-----|-----|
|                | 1      | 2   | 3   | 4   |
| φ1             | ON     | OFF | OFF | ON  |
| φ2             | ON     | ON  | OFF | OFF |
| φ3             | OFF    | ON  | ON  | OFF |
| φ4             | OFF    | OFF | ON  | ON  |

Closing a valve : 1 → 2 → 3 → 4 → 1  
 Opening a valve : 4 → 3 → 2 → 1 → 4

The output pulse shifts in above order.

- When linear expansion valve operation stops, all output phase become OFF.
- At phase interruption or when phase does not shift in order, motor does not rotate smoothly and motor will lock and vibrate.
- When the switch is turned on, 2200 pulse closing valve signal will be sent till it goes to point ④ in order to define the valve position.
- When the valve moves smoothly, there is no sound or vibration occurring from the linear expansion valves : however, when the pulse number moves from ⑤ to ④ or when the valve is locked, more sound can be heard than in a normal situation.
- Sound can be detected by placing the ear against the screw driver handle while putting the screw driver tip to the linear expansion valve.

### ② Linear expansion valve operation



### ③ Troubleshooting

| Symptom   | Check points   | Countermeasures  |
|---|--|--|
| Operation circuit failure of the micro processor                  | Disconnect the connector on the controller board, then connect LED for checking.  1kΩ LED  | Exchange the indoor controller board at drive circuit failure.                 |
| Linear expansion valve mechanism is locked.                       | Motor will idle and make a ticking noise when the motor is operated while the linear expansion valve is locked. This ticking sound is the sign of the abnormality.   | Exchange the linear expansion valve.   |
| Short or breakage of the motor coil of the linear expansion valve | Measure the resistance between each coil (white-red, yellow-brown, orange-red, blue-brown) with a tester. It is normal if the resistance is in the range of 200Ω ±10%.   | Exchange the linear expansion valve.   |
| Valve does not close completely.                                  | To check the linear expansion valve, operate the indoor unit in fan mode and at the same time operate other indoor units in cooling mode, then check the pipe temperature <liquid pipe temperature> of the indoor unit by the outdoor multi controller board operation monitor. During fan operation, linear expansion valve is closed completely and if there is any leaking, detecting temperature of the thermistor will go lower. If the detected temperature is much lower than the temperature indicated in the remote controller, it means the valve is not closed all the way.  Thermistor (Liquid pipe)<br>Linear expansion valve | If large amount of refrigerant is leaked, exchange the linear expansion valve. |
| Wrong connection of the connector or contact failure              | Check the color of lead wire and missing terminal of the connector.  | Disconnect the connector at the controller board, then check the continuity.   |



## 9-2. FAN MOTOR CHECK

Check method of indoor fan motor (fan motor/controller board)

### ① Notes

- High voltage is applied to the connector (FAN)(CNMF1, 2) for the fan motor. Pay attention to the service.
- Do not pull out the connector (FAN)(CNMF1, 2) for the motor with the power supply on, doing so may result in damage to the board.

(FAN)

PMFY-P06/08/12/15NBMU-E      PMFY-P06/08/12/15NBMU-E1

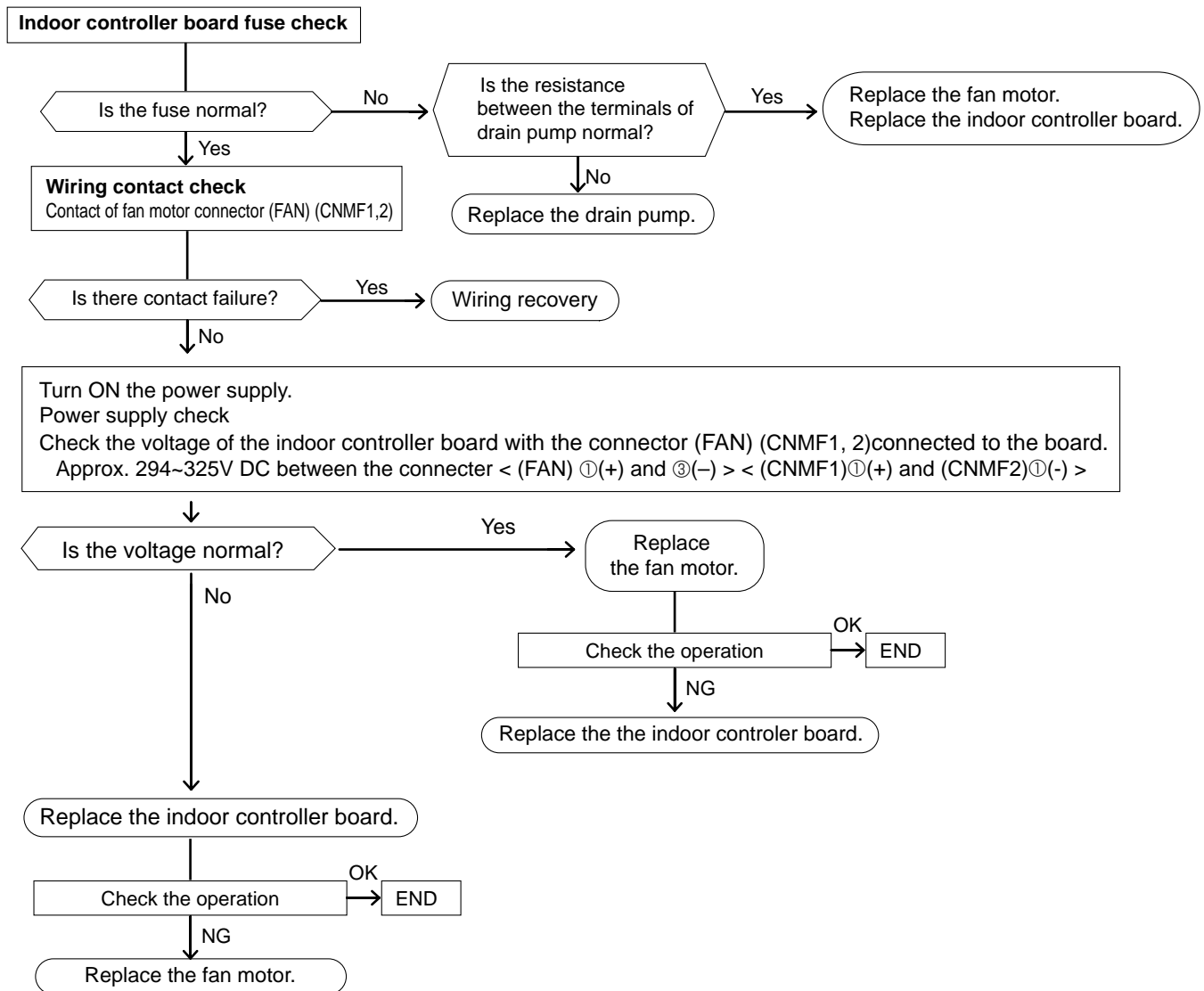
(CNMF1, 2)

PMFY-P06/08/12/15NBMU-E#2      PMFY-P06/08/12/15NBMU-ER3

PMFY-P06/08/12/15NBMU-ER4      PMFY-P06/08/12/15NBMU-ER5

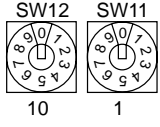
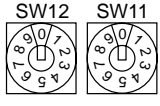

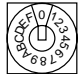

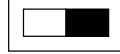
### ② Self check

Symptom : The indoor fan can not rotate.



### 9-3. FUNCTION OF DIP SWITCH

| Switch   | Pole   | Function  | Operation by switch           |                                     | Effective timing         | Remarks   |                          |  |                          |                          |                          |                          |                          |                          |  |                          |                          |                          |                          |                          |                          |  |                          |                          |                          |   |                          |                          |                          |                          |                          |                          |                          |                          |                          |  |                          |                          |                          |                          |                          |                          |                          |                          |                          |                          |                          |                          |                |  |                          |                          |                          |                          |                          |                          |                          |                          |                          |                          |                          |                          |                        |  |
|--|--|---|-------------------------------|-------------------------------------|--------------------------|---|--------------------------|--|--------------------------|--------------------------|--------------------------|--------------------------|--------------------------|--------------------------|--|--------------------------|--------------------------|--------------------------|--------------------------|--------------------------|--------------------------|--|--------------------------|--------------------------|--------------------------|---|--------------------------|--------------------------|--------------------------|--------------------------|--------------------------|--------------------------|--------------------------|--------------------------|--------------------------|--|--------------------------|--------------------------|--------------------------|--------------------------|--------------------------|--------------------------|--------------------------|--------------------------|--------------------------|--------------------------|--------------------------|--------------------------|----------------|--|--------------------------|--------------------------|--------------------------|--------------------------|--------------------------|--------------------------|--------------------------|--------------------------|--------------------------|--------------------------|--------------------------|--------------------------|------------------------|--|
|  |  |   | ON                            | OFF                                 |                          |   |                          |  |                          |                          |                          |                          |                          |                          |  |                          |                          |                          |                          |                          |                          |  |                          |                          |                          |   |                          |                          |                          |                          |                          |                          |                          |                          |                          |  |                          |                          |                          |                          |                          |                          |                          |                          |                          |                          |                          |                          |                |  |                          |                          |                          |                          |                          |                          |                          |                          |                          |                          |                          |                          |                        |  |
| SW1<br>Function setting                          | 1  | Thermistor <Room temperature detection> position  | Built-in remote controller    | Indoor unit                         | Under suspension         | <div style="border: 1px solid black; padding: 2px;">Address board</div><br><Initial setting><br>ON <table border="1" style="display: inline-table;"><tr><td><input type="checkbox"/></td><td><input type="checkbox"/></td><td><input type="checkbox"/></td><td><input type="checkbox"/></td><td><input type="checkbox"/></td><td><input type="checkbox"/></td><td><input type="checkbox"/></td><td><input type="checkbox"/></td><td><input type="checkbox"/></td><td><input type="checkbox"/></td></tr></table><br>OFF <table border="1" style="display: inline-table;"><tr><td><input type="checkbox"/></td><td><input type="checkbox"/></td><td><input type="checkbox"/></td><td><input type="checkbox"/></td><td><input type="checkbox"/></td><td><input type="checkbox"/></td><td><input type="checkbox"/></td><td><input type="checkbox"/></td><td><input type="checkbox"/></td><td><input type="checkbox"/></td></tr></table><br>1 2 3 4 5 6 7 8 9 10           | <input type="checkbox"/> | <input type="checkbox"/>   | <input type="checkbox"/> | <input type="checkbox"/> | <input type="checkbox"/> | <input type="checkbox"/> | <input type="checkbox"/> | <input type="checkbox"/> | <input type="checkbox"/>   | <input type="checkbox"/> | <input type="checkbox"/> | <input type="checkbox"/> | <input type="checkbox"/> | <input type="checkbox"/> | <input type="checkbox"/> | <input type="checkbox"/>   | <input type="checkbox"/> | <input type="checkbox"/> | <input type="checkbox"/> | <input type="checkbox"/>  |                          |                          |                          |                          |                          |                          |                          |                          |                          |  |                          |                          |                          |                          |                          |                          |                          |                          |                          |                          |                          |                          |                |  |                          |                          |                          |                          |                          |                          |                          |                          |                          |                          |                          |                          |                        |  |
|  | <input type="checkbox"/>   | <input type="checkbox"/>  | <input type="checkbox"/>      | <input type="checkbox"/>            |                          |   | <input type="checkbox"/> | <input type="checkbox"/>   | <input type="checkbox"/> | <input type="checkbox"/> | <input type="checkbox"/> | <input type="checkbox"/> |                          |                          |  |                          |                          |                          |                          |                          |                          |  |                          |                          |                          |   |                          |                          |                          |                          |                          |                          |                          |                          |                          |  |                          |                          |                          |                          |                          |                          |                          |                          |                          |                          |                          |                          |                |  |                          |                          |                          |                          |                          |                          |                          |                          |                          |                          |                          |                          |                        |  |
|  | <input type="checkbox"/>   | <input type="checkbox"/>  | <input type="checkbox"/>      | <input type="checkbox"/>            |                          |   | <input type="checkbox"/> | <input type="checkbox"/>   | <input type="checkbox"/> | <input type="checkbox"/> | <input type="checkbox"/> | <input type="checkbox"/> |                          |                          |  |                          |                          |                          |                          |                          |                          |  |                          |                          |                          |   |                          |                          |                          |                          |                          |                          |                          |                          |                          |  |                          |                          |                          |                          |                          |                          |                          |                          |                          |                          |                          |                          |                |  |                          |                          |                          |                          |                          |                          |                          |                          |                          |                          |                          |                          |                        |  |
|  | 2  | Filter clogging detection   | Provided                      | Not provided                        |                          |   |                          |  |                          |                          |                          |                          |                          |                          |  |                          |                          |                          |                          |                          |                          |  |                          |                          |                          |   |                          |                          |                          |                          |                          |                          |                          |                          |                          |  |                          |                          |                          |                          |                          |                          |                          |                          |                          |                          |                          |                          |                |  |                          |                          |                          |                          |                          |                          |                          |                          |                          |                          |                          |                          |                        |  |
|  | 3  | Filter cleaning sign  | 2,500h                        | 100h                                |                          |   |                          |  |                          |                          |                          |                          |                          |                          |  |                          |                          |                          |                          |                          |                          |  |                          |                          |                          |   |                          |                          |                          |                          |                          |                          |                          |                          |                          |  |                          |                          |                          |                          |                          |                          |                          |                          |                          |                          |                          |                          |                |  |                          |                          |                          |                          |                          |                          |                          |                          |                          |                          |                          |                          |                        |  |
|  | 4  | Fresh air intake  | Effective                     | Not effective                       |                          |   |                          |  |                          |                          |                          |                          |                          |                          |  |                          |                          |                          |                          |                          |                          |  |                          |                          |                          |   |                          |                          |                          |                          |                          |                          |                          |                          |                          |  |                          |                          |                          |                          |                          |                          |                          |                          |                          |                          |                          |                          |                |  |                          |                          |                          |                          |                          |                          |                          |                          |                          |                          |                          |                          |                        |  |
|  | 5  | Switching remote controller display   | Thermo ON signal display      | Indicating fan operation ON/OFF     |                          |   |                          |  |                          |                          |                          |                          |                          |                          |  |                          |                          |                          |                          |                          |                          |  |                          |                          |                          |   |                          |                          |                          |                          |                          |                          |                          |                          |                          |  |                          |                          |                          |                          |                          |                          |                          |                          |                          |                          |                          |                          |                |  |                          |                          |                          |                          |                          |                          |                          |                          |                          |                          |                          |                          |                        |  |
|  | 6  | Humidifier control  | Fan operation at Heating mode | Thermo ON operation at Heating mode |                          |   |                          |  |                          |                          |                          |                          |                          |                          |  |                          |                          |                          |                          |                          |                          |  |                          |                          |                          |   |                          |                          |                          |                          |                          |                          |                          |                          |                          |  |                          |                          |                          |                          |                          |                          |                          |                          |                          |                          |                          |                          |                |  |                          |                          |                          |                          |                          |                          |                          |                          |                          |                          |                          |                          |                        |  |
|  | 7  | Air flow at   | Low *                         | Extra low *                         |                          |   |                          |  |                          |                          |                          |                          |                          |                          |  |                          |                          |                          |                          |                          |                          |  |                          |                          |                          |   |                          |                          |                          |                          |                          |                          |                          |                          |                          |  |                          |                          |                          |                          |                          |                          |                          |                          |                          |                          |                          |                          |                |  |                          |                          |                          |                          |                          |                          |                          |                          |                          |                          |                          |                          |                        |  |
|  | 8  | Heat thermo OFF   | Setting air flow              | Depends on SW1-7                    |                          |   |                          |  |                          |                          |                          |                          |                          |                          |  |                          |                          |                          |                          |                          |                          |  |                          |                          |                          |   |                          |                          |                          |                          |                          |                          |                          |                          |                          |  |                          |                          |                          |                          |                          |                          |                          |                          |                          |                          |                          |                          |                |  |                          |                          |                          |                          |                          |                          |                          |                          |                          |                          |                          |                          |                        |  |
| 9  | Auto restart function  | Effective   | Not effective                 |                                     |                          |   |                          |  |                          |                          |                          |                          |                          |                          |  |                          |                          |                          |                          |                          |                          |  |                          |                          |                          |   |                          |                          |                          |                          |                          |                          |                          |                          |                          |  |                          |                          |                          |                          |                          |                          |                          |                          |                          |                          |                          |                          |                |  |                          |                          |                          |                          |                          |                          |                          |                          |                          |                          |                          |                          |                        |  |
| 10   | Power ON/OFF by breaker  | Effective   | Not effective                 |                                     |                          |   |                          |  |                          |                          |                          |                          |                          |                          |  |                          |                          |                          |                          |                          |                          |  |                          |                          |                          |   |                          |                          |                          |                          |                          |                          |                          |                          |                          |  |                          |                          |                          |                          |                          |                          |                          |                          |                          |                          |                          |                          |                |  |                          |                          |                          |                          |                          |                          |                          |                          |                          |                          |                          |                          |                        |  |
| SW2<br>Capacity code setting                     | 1~6  | <table border="1" style="width: 100%; text-align: center;"> <tr> <th>MODELS</th> <th>SW 2</th> <th>MODELS</th> <th>SW 2</th> </tr> <tr> <td>PMFY-P06NBMU-E</td> <td>ON <table border="1" style="display: inline-table;"><tr><td><input type="checkbox"/></td><td><input type="checkbox"/></td><td><input type="checkbox"/></td><td><input type="checkbox"/></td><td><input type="checkbox"/></td><td><input type="checkbox"/></td></tr></table><br/>OFF <table border="1" style="display: inline-table;"><tr><td><input type="checkbox"/></td><td><input type="checkbox"/></td><td><input type="checkbox"/></td><td><input type="checkbox"/></td><td><input type="checkbox"/></td><td><input type="checkbox"/></td></tr></table><br/>1 2 3 4 5 6</td> <td>PMFY-P12NBMU-E</td> <td>ON <table border="1" style="display: inline-table;"><tr><td><input type="checkbox"/></td><td><input type="checkbox"/></td><td><input type="checkbox"/></td><td><input type="checkbox"/></td><td><input type="checkbox"/></td><td><input type="checkbox"/></td></tr></table><br/>OFF <table border="1" style="display: inline-table;"><tr><td><input type="checkbox"/></td><td><input type="checkbox"/></td><td><input type="checkbox"/></td><td><input type="checkbox"/></td><td><input type="checkbox"/></td><td><input type="checkbox"/></td></tr></table><br/>1 2 3 4 5 6</td> </tr> <tr> <td>PMFY-P08NBMU-E</td> <td>ON <table border="1" style="display: inline-table;"><tr><td><input type="checkbox"/></td><td><input type="checkbox"/></td><td><input type="checkbox"/></td><td><input type="checkbox"/></td><td><input type="checkbox"/></td><td><input type="checkbox"/></td></tr></table><br/>OFF <table border="1" style="display: inline-table;"><tr><td><input type="checkbox"/></td><td><input type="checkbox"/></td><td><input type="checkbox"/></td><td><input type="checkbox"/></td><td><input type="checkbox"/></td><td><input type="checkbox"/></td></tr></table><br/>1 2 3 4 5 6</td> <td>PMFY-P15NBMU-E</td> <td>ON <table border="1" style="display: inline-table;"><tr><td><input type="checkbox"/></td><td><input type="checkbox"/></td><td><input type="checkbox"/></td><td><input type="checkbox"/></td><td><input type="checkbox"/></td><td><input type="checkbox"/></td></tr></table><br/>OFF <table border="1" style="display: inline-table;"><tr><td><input type="checkbox"/></td><td><input type="checkbox"/></td><td><input type="checkbox"/></td><td><input type="checkbox"/></td><td><input type="checkbox"/></td><td><input type="checkbox"/></td></tr></table><br/>1 2 3 4 5 6</td> </tr> </table> | MODELS                        | SW 2                                | MODELS                   | SW 2  | PMFY-P06NBMU-E           | ON <table border="1" style="display: inline-table;"><tr><td><input type="checkbox"/></td><td><input type="checkbox"/></td><td><input type="checkbox"/></td><td><input type="checkbox"/></td><td><input type="checkbox"/></td><td><input type="checkbox"/></td></tr></table><br>OFF <table border="1" style="display: inline-table;"><tr><td><input type="checkbox"/></td><td><input type="checkbox"/></td><td><input type="checkbox"/></td><td><input type="checkbox"/></td><td><input type="checkbox"/></td><td><input type="checkbox"/></td></tr></table><br>1 2 3 4 5 6 | <input type="checkbox"/> | <input type="checkbox"/> | <input type="checkbox"/> | <input type="checkbox"/> | <input type="checkbox"/> | <input type="checkbox"/> | <input type="checkbox"/>   | <input type="checkbox"/> | <input type="checkbox"/> | <input type="checkbox"/> | <input type="checkbox"/> | <input type="checkbox"/> | PMFY-P12NBMU-E           | ON <table border="1" style="display: inline-table;"><tr><td><input type="checkbox"/></td><td><input type="checkbox"/></td><td><input type="checkbox"/></td><td><input type="checkbox"/></td><td><input type="checkbox"/></td><td><input type="checkbox"/></td></tr></table><br>OFF <table border="1" style="display: inline-table;"><tr><td><input type="checkbox"/></td><td><input type="checkbox"/></td><td><input type="checkbox"/></td><td><input type="checkbox"/></td><td><input type="checkbox"/></td><td><input type="checkbox"/></td></tr></table><br>1 2 3 4 5 6 | <input type="checkbox"/> | <input type="checkbox"/> | <input type="checkbox"/> | <input type="checkbox"/>  | <input type="checkbox"/> | <input type="checkbox"/> | <input type="checkbox"/> | <input type="checkbox"/> | <input type="checkbox"/> | <input type="checkbox"/> | <input type="checkbox"/> | <input type="checkbox"/> | PMFY-P08NBMU-E           | ON <table border="1" style="display: inline-table;"><tr><td><input type="checkbox"/></td><td><input type="checkbox"/></td><td><input type="checkbox"/></td><td><input type="checkbox"/></td><td><input type="checkbox"/></td><td><input type="checkbox"/></td></tr></table><br>OFF <table border="1" style="display: inline-table;"><tr><td><input type="checkbox"/></td><td><input type="checkbox"/></td><td><input type="checkbox"/></td><td><input type="checkbox"/></td><td><input type="checkbox"/></td><td><input type="checkbox"/></td></tr></table><br>1 2 3 4 5 6 | <input type="checkbox"/> | <input type="checkbox"/> | <input type="checkbox"/> | <input type="checkbox"/> | <input type="checkbox"/> | <input type="checkbox"/> | <input type="checkbox"/> | <input type="checkbox"/> | <input type="checkbox"/> | <input type="checkbox"/> | <input type="checkbox"/> | <input type="checkbox"/> | PMFY-P15NBMU-E | ON <table border="1" style="display: inline-table;"><tr><td><input type="checkbox"/></td><td><input type="checkbox"/></td><td><input type="checkbox"/></td><td><input type="checkbox"/></td><td><input type="checkbox"/></td><td><input type="checkbox"/></td></tr></table><br>OFF <table border="1" style="display: inline-table;"><tr><td><input type="checkbox"/></td><td><input type="checkbox"/></td><td><input type="checkbox"/></td><td><input type="checkbox"/></td><td><input type="checkbox"/></td><td><input type="checkbox"/></td></tr></table><br>1 2 3 4 5 6 | <input type="checkbox"/> | <input type="checkbox"/> | <input type="checkbox"/> | <input type="checkbox"/> | <input type="checkbox"/> | <input type="checkbox"/> | <input type="checkbox"/> | <input type="checkbox"/> | <input type="checkbox"/> | <input type="checkbox"/> | <input type="checkbox"/> | <input type="checkbox"/> | Before power supply ON | <div style="border: 1px solid black; padding: 2px;">Indoor controller board</div><br><Initial setting><br>Set for each capacity. |
|  |  | MODELS  | SW 2                          | MODELS                              | SW 2                     |   |                          |  |                          |                          |                          |                          |                          |                          |  |                          |                          |                          |                          |                          |                          |  |                          |                          |                          |   |                          |                          |                          |                          |                          |                          |                          |                          |                          |  |                          |                          |                          |                          |                          |                          |                          |                          |                          |                          |                          |                          |                |  |                          |                          |                          |                          |                          |                          |                          |                          |                          |                          |                          |                          |                        |  |
| PMFY-P06NBMU-E                                   | ON <table border="1" style="display: inline-table;"><tr><td><input type="checkbox"/></td><td><input type="checkbox"/></td><td><input type="checkbox"/></td><td><input type="checkbox"/></td><td><input type="checkbox"/></td><td><input type="checkbox"/></td></tr></table><br>OFF <table border="1" style="display: inline-table;"><tr><td><input type="checkbox"/></td><td><input type="checkbox"/></td><td><input type="checkbox"/></td><td><input type="checkbox"/></td><td><input type="checkbox"/></td><td><input type="checkbox"/></td></tr></table><br>1 2 3 4 5 6 | <input type="checkbox"/>  | <input type="checkbox"/>      | <input type="checkbox"/>            | <input type="checkbox"/> | <input type="checkbox"/>  | <input type="checkbox"/> | <input type="checkbox"/>   | <input type="checkbox"/> | <input type="checkbox"/> | <input type="checkbox"/> | <input type="checkbox"/> | <input type="checkbox"/> | PMFY-P12NBMU-E           | ON <table border="1" style="display: inline-table;"><tr><td><input type="checkbox"/></td><td><input type="checkbox"/></td><td><input type="checkbox"/></td><td><input type="checkbox"/></td><td><input type="checkbox"/></td><td><input type="checkbox"/></td></tr></table><br>OFF <table border="1" style="display: inline-table;"><tr><td><input type="checkbox"/></td><td><input type="checkbox"/></td><td><input type="checkbox"/></td><td><input type="checkbox"/></td><td><input type="checkbox"/></td><td><input type="checkbox"/></td></tr></table><br>1 2 3 4 5 6 | <input type="checkbox"/> | <input type="checkbox"/> | <input type="checkbox"/> | <input type="checkbox"/> | <input type="checkbox"/> | <input type="checkbox"/> | <input type="checkbox"/>   | <input type="checkbox"/> | <input type="checkbox"/> | <input type="checkbox"/> | <input type="checkbox"/>  | <input type="checkbox"/> |                          |                          |                          |                          |                          |                          |                          |                          |  |                          |                          |                          |                          |                          |                          |                          |                          |                          |                          |                          |                          |                |  |                          |                          |                          |                          |                          |                          |                          |                          |                          |                          |                          |                          |                        |  |
| <input type="checkbox"/>                         | <input type="checkbox"/>   | <input type="checkbox"/>  | <input type="checkbox"/>      | <input type="checkbox"/>            | <input type="checkbox"/> |   |                          |  |                          |                          |                          |                          |                          |                          |  |                          |                          |                          |                          |                          |                          |  |                          |                          |                          |   |                          |                          |                          |                          |                          |                          |                          |                          |                          |  |                          |                          |                          |                          |                          |                          |                          |                          |                          |                          |                          |                          |                |  |                          |                          |                          |                          |                          |                          |                          |                          |                          |                          |                          |                          |                        |  |
| <input type="checkbox"/>                         | <input type="checkbox"/>   | <input type="checkbox"/>  | <input type="checkbox"/>      | <input type="checkbox"/>            | <input type="checkbox"/> |   |                          |  |                          |                          |                          |                          |                          |                          |  |                          |                          |                          |                          |                          |                          |  |                          |                          |                          |   |                          |                          |                          |                          |                          |                          |                          |                          |                          |  |                          |                          |                          |                          |                          |                          |                          |                          |                          |                          |                          |                          |                |  |                          |                          |                          |                          |                          |                          |                          |                          |                          |                          |                          |                          |                        |  |
| <input type="checkbox"/>                         | <input type="checkbox"/>   | <input type="checkbox"/>  | <input type="checkbox"/>      | <input type="checkbox"/>            | <input type="checkbox"/> |   |                          |  |                          |                          |                          |                          |                          |                          |  |                          |                          |                          |                          |                          |                          |  |                          |                          |                          |   |                          |                          |                          |                          |                          |                          |                          |                          |                          |  |                          |                          |                          |                          |                          |                          |                          |                          |                          |                          |                          |                          |                |  |                          |                          |                          |                          |                          |                          |                          |                          |                          |                          |                          |                          |                        |  |
| <input type="checkbox"/>                         | <input type="checkbox"/>   | <input type="checkbox"/>  | <input type="checkbox"/>      | <input type="checkbox"/>            | <input type="checkbox"/> |   |                          |  |                          |                          |                          |                          |                          |                          |  |                          |                          |                          |                          |                          |                          |  |                          |                          |                          |   |                          |                          |                          |                          |                          |                          |                          |                          |                          |  |                          |                          |                          |                          |                          |                          |                          |                          |                          |                          |                          |                          |                |  |                          |                          |                          |                          |                          |                          |                          |                          |                          |                          |                          |                          |                        |  |
| PMFY-P08NBMU-E                                   | ON <table border="1" style="display: inline-table;"><tr><td><input type="checkbox"/></td><td><input type="checkbox"/></td><td><input type="checkbox"/></td><td><input type="checkbox"/></td><td><input type="checkbox"/></td><td><input type="checkbox"/></td></tr></table><br>OFF <table border="1" style="display: inline-table;"><tr><td><input type="checkbox"/></td><td><input type="checkbox"/></td><td><input type="checkbox"/></td><td><input type="checkbox"/></td><td><input type="checkbox"/></td><td><input type="checkbox"/></td></tr></table><br>1 2 3 4 5 6 | <input type="checkbox"/>  | <input type="checkbox"/>      | <input type="checkbox"/>            | <input type="checkbox"/> | <input type="checkbox"/>  | <input type="checkbox"/> | <input type="checkbox"/>   | <input type="checkbox"/> | <input type="checkbox"/> | <input type="checkbox"/> | <input type="checkbox"/> | <input type="checkbox"/> | PMFY-P15NBMU-E           | ON <table border="1" style="display: inline-table;"><tr><td><input type="checkbox"/></td><td><input type="checkbox"/></td><td><input type="checkbox"/></td><td><input type="checkbox"/></td><td><input type="checkbox"/></td><td><input type="checkbox"/></td></tr></table><br>OFF <table border="1" style="display: inline-table;"><tr><td><input type="checkbox"/></td><td><input type="checkbox"/></td><td><input type="checkbox"/></td><td><input type="checkbox"/></td><td><input type="checkbox"/></td><td><input type="checkbox"/></td></tr></table><br>1 2 3 4 5 6 | <input type="checkbox"/> | <input type="checkbox"/> | <input type="checkbox"/> | <input type="checkbox"/> | <input type="checkbox"/> | <input type="checkbox"/> | <input type="checkbox"/>   | <input type="checkbox"/> | <input type="checkbox"/> | <input type="checkbox"/> | <input type="checkbox"/>  | <input type="checkbox"/> |                          |                          |                          |                          |                          |                          |                          |                          |  |                          |                          |                          |                          |                          |                          |                          |                          |                          |                          |                          |                          |                |  |                          |                          |                          |                          |                          |                          |                          |                          |                          |                          |                          |                          |                        |  |
| <input type="checkbox"/>                         | <input type="checkbox"/>   | <input type="checkbox"/>  | <input type="checkbox"/>      | <input type="checkbox"/>            | <input type="checkbox"/> |   |                          |  |                          |                          |                          |                          |                          |                          |  |                          |                          |                          |                          |                          |                          |  |                          |                          |                          |   |                          |                          |                          |                          |                          |                          |                          |                          |                          |  |                          |                          |                          |                          |                          |                          |                          |                          |                          |                          |                          |                          |                |  |                          |                          |                          |                          |                          |                          |                          |                          |                          |                          |                          |                          |                        |  |
| <input type="checkbox"/>                         | <input type="checkbox"/>   | <input type="checkbox"/>  | <input type="checkbox"/>      | <input type="checkbox"/>            | <input type="checkbox"/> |   |                          |  |                          |                          |                          |                          |                          |                          |  |                          |                          |                          |                          |                          |                          |  |                          |                          |                          |   |                          |                          |                          |                          |                          |                          |                          |                          |                          |  |                          |                          |                          |                          |                          |                          |                          |                          |                          |                          |                          |                          |                |  |                          |                          |                          |                          |                          |                          |                          |                          |                          |                          |                          |                          |                        |  |
| <input type="checkbox"/>                         | <input type="checkbox"/>   | <input type="checkbox"/>  | <input type="checkbox"/>      | <input type="checkbox"/>            | <input type="checkbox"/> |   |                          |  |                          |                          |                          |                          |                          |                          |  |                          |                          |                          |                          |                          |                          |  |                          |                          |                          |   |                          |                          |                          |                          |                          |                          |                          |                          |                          |  |                          |                          |                          |                          |                          |                          |                          |                          |                          |                          |                          |                          |                |  |                          |                          |                          |                          |                          |                          |                          |                          |                          |                          |                          |                          |                        |  |
| <input type="checkbox"/>                         | <input type="checkbox"/>   | <input type="checkbox"/>  | <input type="checkbox"/>      | <input type="checkbox"/>            | <input type="checkbox"/> |   |                          |  |                          |                          |                          |                          |                          |                          |  |                          |                          |                          |                          |                          |                          |  |                          |                          |                          |   |                          |                          |                          |                          |                          |                          |                          |                          |                          |  |                          |                          |                          |                          |                          |                          |                          |                          |                          |                          |                          |                          |                |  |                          |                          |                          |                          |                          |                          |                          |                          |                          |                          |                          |                          |                        |  |
|  |  |   |                               |                                     |                          |   |                          |  |                          |                          |                          |                          |                          |                          |  |                          |                          |                          |                          |                          |                          |  |                          |                          |                          |   |                          |                          |                          |                          |                          |                          |                          |                          |                          |  |                          |                          |                          |                          |                          |                          |                          |                          |                          |                          |                          |                          |                |  |                          |                          |                          |                          |                          |                          |                          |                          |                          |                          |                          |                          |                        |  |
| SW3<br>Function setting                          | 1  | Heat pump/Cool only   | Cooling only                  | Heat pump                           | Under suspension         | <div style="border: 1px solid black; padding: 2px;">Indoor controller board</div><br><Initial setting><br>ON <table border="1" style="display: inline-table;"><tr><td><input type="checkbox"/></td><td><input type="checkbox"/></td><td><input type="checkbox"/></td><td><input type="checkbox"/></td><td><input type="checkbox"/></td><td><input type="checkbox"/></td><td><input type="checkbox"/></td><td><input type="checkbox"/></td><td><input type="checkbox"/></td><td><input type="checkbox"/></td></tr></table><br>OFF <table border="1" style="display: inline-table;"><tr><td><input type="checkbox"/></td><td><input type="checkbox"/></td><td><input type="checkbox"/></td><td><input type="checkbox"/></td><td><input type="checkbox"/></td><td><input type="checkbox"/></td><td><input type="checkbox"/></td><td><input type="checkbox"/></td><td><input type="checkbox"/></td><td><input type="checkbox"/></td></tr></table><br>1 2 3 4 5 6 7 8 9 10 | <input type="checkbox"/> | <input type="checkbox"/>   | <input type="checkbox"/> | <input type="checkbox"/> | <input type="checkbox"/> | <input type="checkbox"/> | <input type="checkbox"/> | <input type="checkbox"/> | <input type="checkbox"/>   | <input type="checkbox"/> | <input type="checkbox"/> | <input type="checkbox"/> | <input type="checkbox"/> | <input type="checkbox"/> | <input type="checkbox"/> | <input type="checkbox"/>   | <input type="checkbox"/> | <input type="checkbox"/> | <input type="checkbox"/> | <input type="checkbox"/>  |                          |                          |                          |                          |                          |                          |                          |                          |                          |  |                          |                          |                          |                          |                          |                          |                          |                          |                          |                          |                          |                          |                |  |                          |                          |                          |                          |                          |                          |                          |                          |                          |                          |                          |                          |                        |  |
|  | <input type="checkbox"/>   | <input type="checkbox"/>  | <input type="checkbox"/>      | <input type="checkbox"/>            |                          |   | <input type="checkbox"/> | <input type="checkbox"/>   | <input type="checkbox"/> | <input type="checkbox"/> | <input type="checkbox"/> | <input type="checkbox"/> |                          |                          |  |                          |                          |                          |                          |                          |                          |  |                          |                          |                          |   |                          |                          |                          |                          |                          |                          |                          |                          |                          |  |                          |                          |                          |                          |                          |                          |                          |                          |                          |                          |                          |                          |                |  |                          |                          |                          |                          |                          |                          |                          |                          |                          |                          |                          |                          |                        |  |
|  | <input type="checkbox"/>   | <input type="checkbox"/>  | <input type="checkbox"/>      | <input type="checkbox"/>            |                          |   | <input type="checkbox"/> | <input type="checkbox"/>   | <input type="checkbox"/> | <input type="checkbox"/> | <input type="checkbox"/> | <input type="checkbox"/> |                          |                          |  |                          |                          |                          |                          |                          |                          |  |                          |                          |                          |   |                          |                          |                          |                          |                          |                          |                          |                          |                          |  |                          |                          |                          |                          |                          |                          |                          |                          |                          |                          |                          |                          |                |  |                          |                          |                          |                          |                          |                          |                          |                          |                          |                          |                          |                          |                        |  |
|  | 2  | Louver  | Available                     | Not available                       |                          |   |                          |  |                          |                          |                          |                          |                          |                          |  |                          |                          |                          |                          |                          |                          |  |                          |                          |                          |   |                          |                          |                          |                          |                          |                          |                          |                          |                          |  |                          |                          |                          |                          |                          |                          |                          |                          |                          |                          |                          |                          |                |  |                          |                          |                          |                          |                          |                          |                          |                          |                          |                          |                          |                          |                        |  |
|  | 3  | Vane  | Available                     | Not available                       |                          |   |                          |  |                          |                          |                          |                          |                          |                          |  |                          |                          |                          |                          |                          |                          |  |                          |                          |                          |   |                          |                          |                          |                          |                          |                          |                          |                          |                          |  |                          |                          |                          |                          |                          |                          |                          |                          |                          |                          |                          |                          |                |  |                          |                          |                          |                          |                          |                          |                          |                          |                          |                          |                          |                          |                        |  |
|  | 4  | Vane swing function   | Available                     | Not available                       |                          |   |                          |  |                          |                          |                          |                          |                          |                          |  |                          |                          |                          |                          |                          |                          |  |                          |                          |                          |   |                          |                          |                          |                          |                          |                          |                          |                          |                          |  |                          |                          |                          |                          |                          |                          |                          |                          |                          |                          |                          |                          |                |  |                          |                          |                          |                          |                          |                          |                          |                          |                          |                          |                          |                          |                        |  |
|  | 5  | Vane horizontal angle   | Second setting *6             | First setting                       |                          |   |                          |  |                          |                          |                          |                          |                          |                          |  |                          |                          |                          |                          |                          |                          |  |                          |                          |                          |   |                          |                          |                          |                          |                          |                          |                          |                          |                          |  |                          |                          |                          |                          |                          |                          |                          |                          |                          |                          |                          |                          |                |  |                          |                          |                          |                          |                          |                          |                          |                          |                          |                          |                          |                          |                        |  |
|  | 6  | Vane cooling limit angle setting *4   | Horizontal angle              | Down B, C                           |                          |   |                          |  |                          |                          |                          |                          |                          |                          |  |                          |                          |                          |                          |                          |                          |  |                          |                          |                          |   |                          |                          |                          |                          |                          |                          |                          |                          |                          |  |                          |                          |                          |                          |                          |                          |                          |                          |                          |                          |                          |                          |                |  |                          |                          |                          |                          |                          |                          |                          |                          |                          |                          |                          |                          |                        |  |
|  | 7  | Changing the opening of linear expansion valve when the thermostat is OFF   | Effective                     | Not effective                       |                          |   |                          |  |                          |                          |                          |                          |                          |                          |  |                          |                          |                          |                          |                          |                          |  |                          |                          |                          |   |                          |                          |                          |                          |                          |                          |                          |                          |                          |  |                          |                          |                          |                          |                          |                          |                          |                          |                          |                          |                          |                          |                |  |                          |                          |                          |                          |                          |                          |                          |                          |                          |                          |                          |                          |                        |  |
|  | 8  | Heating 4deg. up  | Not effective                 | Effective                           |                          |   |                          |  |                          |                          |                          |                          |                          |                          |  |                          |                          |                          |                          |                          |                          |  |                          |                          |                          |   |                          |                          |                          |                          |                          |                          |                          |                          |                          |  |                          |                          |                          |                          |                          |                          |                          |                          |                          |                          |                          |                          |                |  |                          |                          |                          |                          |                          |                          |                          |                          |                          |                          |                          |                          |                        |  |
| 9  | Target superheat setting *5  | —   | —                             |                                     |                          |   |                          |  |                          |                          |                          |                          |                          |                          |  |                          |                          |                          |                          |                          |                          |  |                          |                          |                          |   |                          |                          |                          |                          |                          |                          |                          |                          |                          |  |                          |                          |                          |                          |                          |                          |                          |                          |                          |                          |                          |                          |                |  |                          |                          |                          |                          |                          |                          |                          |                          |                          |                          |                          |                          |                        |  |
| 10   | Target sub cool setting *5   | —   | —                             |                                     |                          |   |                          |  |                          |                          |                          |                          |                          |                          |  |                          |                          |                          |                          |                          |                          |  |                          |                          |                          |   |                          |                          |                          |                          |                          |                          |                          |                          |                          |  |                          |                          |                          |                          |                          |                          |                          |                          |                          |                          |                          |                          |                |  |                          |                          |                          |                          |                          |                          |                          |                          |                          |                          |                          |                          |                        |  |
| SW4<br>Model Selection (Setting for PMFY series) | 1~5  | In case replacing the indoor controller board, make sure to set the switch to the initial setting, which is shown below.  |                               |                                     | Before power supply ON   | <div style="border: 1px solid black; padding: 2px;">Indoor controller board</div>   |                          |  |                          |                          |                          |                          |                          |                          |  |                          |                          |                          |                          |                          |                          |  |                          |                          |                          |   |                          |                          |                          |                          |                          |                          |                          |                          |                          |  |                          |                          |                          |                          |                          |                          |                          |                          |                          |                          |                          |                          |                |  |                          |                          |                          |                          |                          |                          |                          |                          |                          |                          |                          |                          |                        |  |
|  |  | PMFY-P-NBMU-E<br>ON <table border="1" style="display: inline-table;"><tr><td><input type="checkbox"/></td><td><input type="checkbox"/></td><td><input type="checkbox"/></td><td><input type="checkbox"/></td><td><input type="checkbox"/></td></tr></table><br>OFF <table border="1" style="display: inline-table;"><tr><td><input type="checkbox"/></td><td><input type="checkbox"/></td><td><input type="checkbox"/></td><td><input type="checkbox"/></td><td><input type="checkbox"/></td></tr></table><br>1 2 3 4 5   | <input type="checkbox"/>      | <input type="checkbox"/>            |                          |   | <input type="checkbox"/> | <input type="checkbox"/>   | <input type="checkbox"/> | <input type="checkbox"/> | <input type="checkbox"/> | <input type="checkbox"/> | <input type="checkbox"/> | <input type="checkbox"/> | PMFY-P-NBMU-E <sub>1</sub><br>ON <table border="1" style="display: inline-table;"><tr><td><input type="checkbox"/></td><td><input type="checkbox"/></td><td><input type="checkbox"/></td><td><input type="checkbox"/></td><td><input type="checkbox"/></td></tr></table><br>OFF <table border="1" style="display: inline-table;"><tr><td><input type="checkbox"/></td><td><input type="checkbox"/></td><td><input type="checkbox"/></td><td><input type="checkbox"/></td><td><input type="checkbox"/></td></tr></table><br>1 2 3 4 5                                       | <input type="checkbox"/> | <input type="checkbox"/> | <input type="checkbox"/> | <input type="checkbox"/> | <input type="checkbox"/> | <input type="checkbox"/> | <input type="checkbox"/>   | <input type="checkbox"/> | <input type="checkbox"/> | <input type="checkbox"/> | PMFY-P-NBMU-E#2/ER3/ER4/ER5<br>ON <table border="1" style="display: inline-table;"><tr><td><input type="checkbox"/></td><td><input type="checkbox"/></td><td><input type="checkbox"/></td><td><input type="checkbox"/></td><td><input type="checkbox"/></td></tr></table><br>OFF <table border="1" style="display: inline-table;"><tr><td><input type="checkbox"/></td><td><input type="checkbox"/></td><td><input type="checkbox"/></td><td><input type="checkbox"/></td><td><input type="checkbox"/></td></tr></table><br>1 2 3 4 5 | <input type="checkbox"/> | <input type="checkbox"/> | <input type="checkbox"/> | <input type="checkbox"/> | <input type="checkbox"/> | <input type="checkbox"/> | <input type="checkbox"/> | <input type="checkbox"/> | <input type="checkbox"/> | <input type="checkbox"/>   |                          |                          |                          |                          |                          |                          |                          |                          |                          |                          |                          |                          |                |  |                          |                          |                          |                          |                          |                          |                          |                          |                          |                          |                          |                          |                        |  |
| <input type="checkbox"/>                         | <input type="checkbox"/>   | <input type="checkbox"/>  | <input type="checkbox"/>      | <input type="checkbox"/>            |                          |   |                          |  |                          |                          |                          |                          |                          |                          |  |                          |                          |                          |                          |                          |                          |  |                          |                          |                          |   |                          |                          |                          |                          |                          |                          |                          |                          |                          |  |                          |                          |                          |                          |                          |                          |                          |                          |                          |                          |                          |                          |                |  |                          |                          |                          |                          |                          |                          |                          |                          |                          |                          |                          |                          |                        |  |
| <input type="checkbox"/>                         | <input type="checkbox"/>   | <input type="checkbox"/>  | <input type="checkbox"/>      | <input type="checkbox"/>            |                          |   |                          |  |                          |                          |                          |                          |                          |                          |  |                          |                          |                          |                          |                          |                          |  |                          |                          |                          |   |                          |                          |                          |                          |                          |                          |                          |                          |                          |  |                          |                          |                          |                          |                          |                          |                          |                          |                          |                          |                          |                          |                |  |                          |                          |                          |                          |                          |                          |                          |                          |                          |                          |                          |                          |                        |  |
| <input type="checkbox"/>                         | <input type="checkbox"/>   | <input type="checkbox"/>  | <input type="checkbox"/>      | <input type="checkbox"/>            |                          |   |                          |  |                          |                          |                          |                          |                          |                          |  |                          |                          |                          |                          |                          |                          |  |                          |                          |                          |   |                          |                          |                          |                          |                          |                          |                          |                          |                          |  |                          |                          |                          |                          |                          |                          |                          |                          |                          |                          |                          |                          |                |  |                          |                          |                          |                          |                          |                          |                          |                          |                          |                          |                          |                          |                        |  |
| <input type="checkbox"/>                         | <input type="checkbox"/>   | <input type="checkbox"/>  | <input type="checkbox"/>      | <input type="checkbox"/>            |                          |   |                          |  |                          |                          |                          |                          |                          |                          |  |                          |                          |                          |                          |                          |                          |  |                          |                          |                          |   |                          |                          |                          |                          |                          |                          |                          |                          |                          |  |                          |                          |                          |                          |                          |                          |                          |                          |                          |                          |                          |                          |                |  |                          |                          |                          |                          |                          |                          |                          |                          |                          |                          |                          |                          |                        |  |
| <input type="checkbox"/>                         | <input type="checkbox"/>   | <input type="checkbox"/>  | <input type="checkbox"/>      | <input type="checkbox"/>            |                          |   |                          |  |                          |                          |                          |                          |                          |                          |  |                          |                          |                          |                          |                          |                          |  |                          |                          |                          |   |                          |                          |                          |                          |                          |                          |                          |                          |                          |  |                          |                          |                          |                          |                          |                          |                          |                          |                          |                          |                          |                          |                |  |                          |                          |                          |                          |                          |                          |                          |                          |                          |                          |                          |                          |                        |  |
| <input type="checkbox"/>                         | <input type="checkbox"/>   | <input type="checkbox"/>  | <input type="checkbox"/>      | <input type="checkbox"/>            |                          |   |                          |  |                          |                          |                          |                          |                          |                          |  |                          |                          |                          |                          |                          |                          |  |                          |                          |                          |   |                          |                          |                          |                          |                          |                          |                          |                          |                          |  |                          |                          |                          |                          |                          |                          |                          |                          |                          |                          |                          |                          |                |  |                          |                          |                          |                          |                          |                          |                          |                          |                          |                          |                          |                          |                        |  |

| Switch  | Pole          | Operation by switch   | Effective timing       | Remarks   |
|---|---------------|---|------------------------|---|
| SW11<br>1s digit address setting<br>SW12<br>10ths digit address setting | Rotary switch |  <p>How to set addresses<br/>Example : If address is "3", remain SW12 (for over 10) at "0", and match SW11 (for 1 to 9) with "3".</p>  | Before power supply ON | <div style="border: 1px solid black; padding: 2px; display: inline-block;">Address board</div><br><br><Initial setting><br>                                  |
| SW14<br>Branch No. setting  | Rotary switch |  <p>How to set branch numbers SW14 (Series R2 only)<br/>Match the indoor unit's refrigerant pipe with the BC controller's end connection number.<br/>Remain other than series R2 at "0".</p> |                        | <div style="border: 1px solid black; padding: 2px; display: inline-block;">Address board</div><br><br><Initial setting><br>SW14<br>                          |
| SW5<br>Voltage Selection  | 2             |  <p>220V (208V)      240V (230V)<br/>If the unit is used at the 230V area, set the voltage to 230V.<br/>If the unit is used at the 208V, set the voltage to 208V.</p>                        |                        | <div style="border: 1px solid black; padding: 2px; display: inline-block;">Address board</div><br><br><Initial setting><br>220V (208V)      240V (230V)<br> |

## 9-4. TEST POINT DIAGRAM

### 9-4-1. Indoor controller board

PMFY-P06NBMU-E

PMFY-P08NBMU-E

PMFY-P12NBMU-E

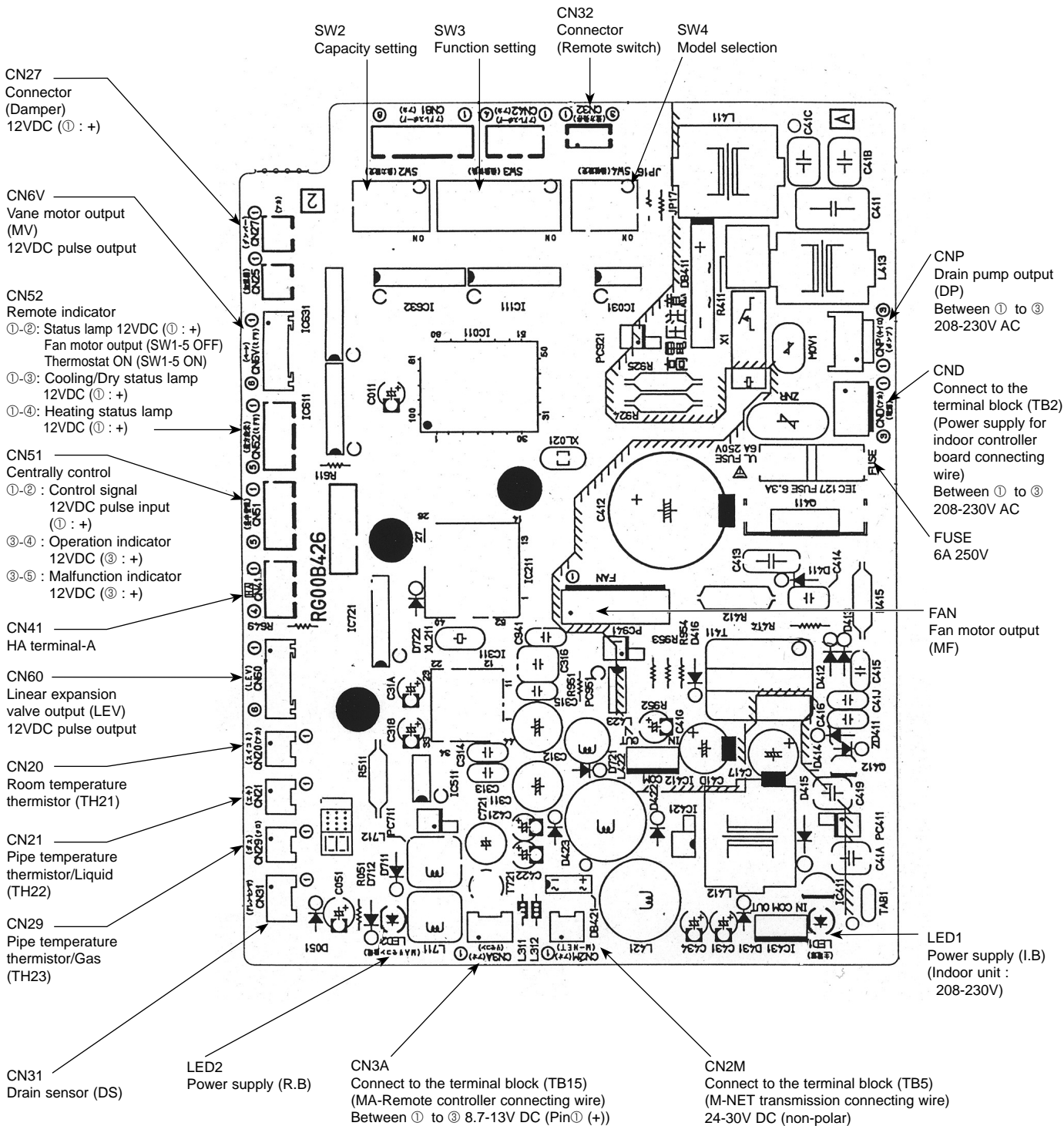
PMFY-P15NBMU-E

PMFY-P06NBMU-E<sub>1</sub>

PMFY-P08NBMU-E<sub>1</sub>

PMFY-P12NBMU-E<sub>1</sub>

PMFY-P15NBMU-E<sub>1</sub>



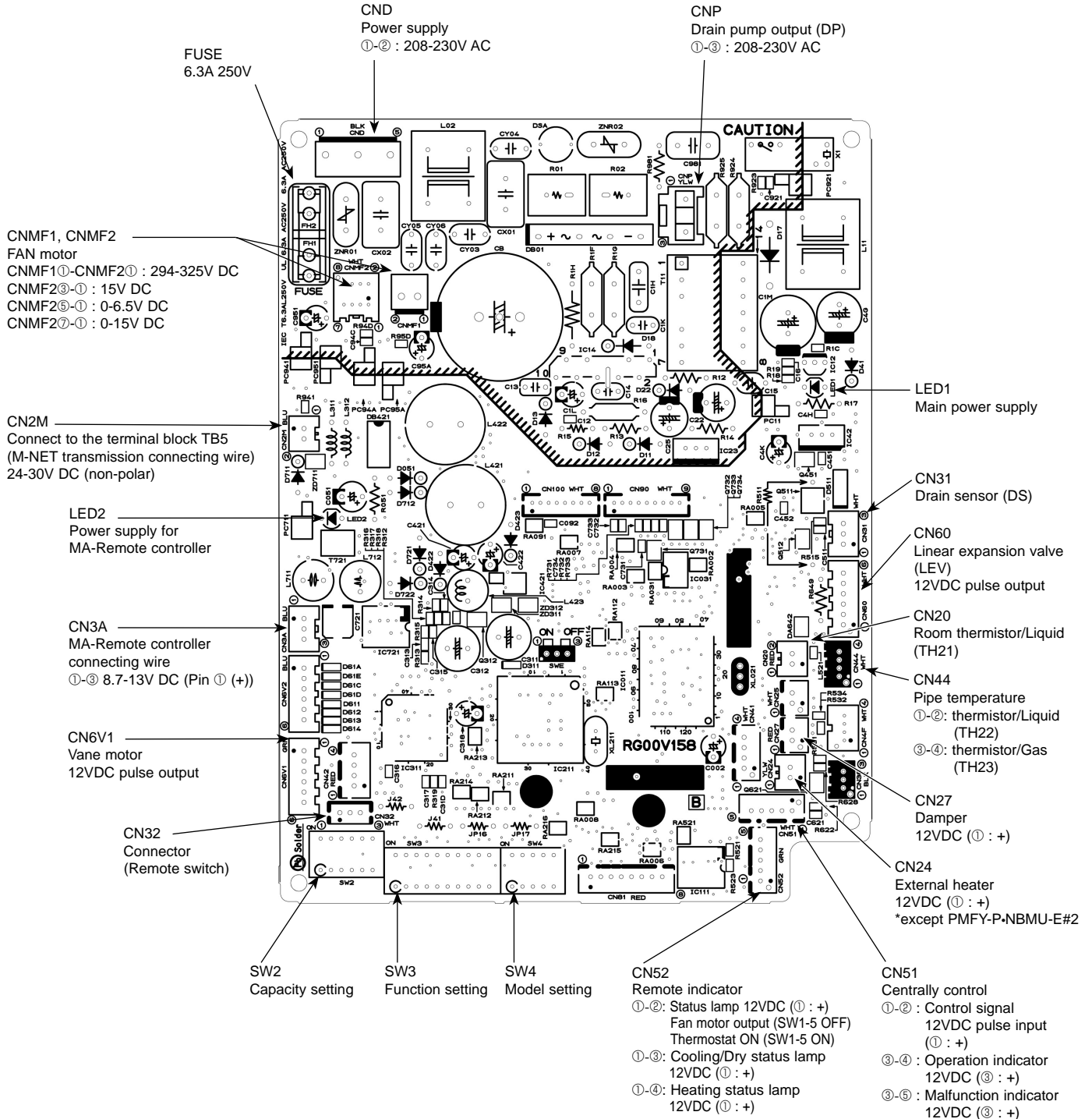
**Indoor controller board**

**PMFY-P06NBMU-E#2  
PMFY-P06NBMU-ER3  
PMFY-P06NBMU-ER4  
PMFY-P06NBMU-ER5**

**PMFY-P08NBMU-E#2  
PMFY-P08NBMU-ER3  
PMFY-P08NBMU-ER4  
PMFY-P08NBMU-ER5**

**PMFY-P12NBMU-E#2  
PMFY-P12NBMU-ER3  
PMFY-P12NBMU-ER4  
PMFY-P12NBMU-ER5**

**PMFY-P15NBMU-E#2  
PMFY-P15NBMU-ER3  
PMFY-P15NBMU-ER4  
PMFY-P15NBMU-ER5**



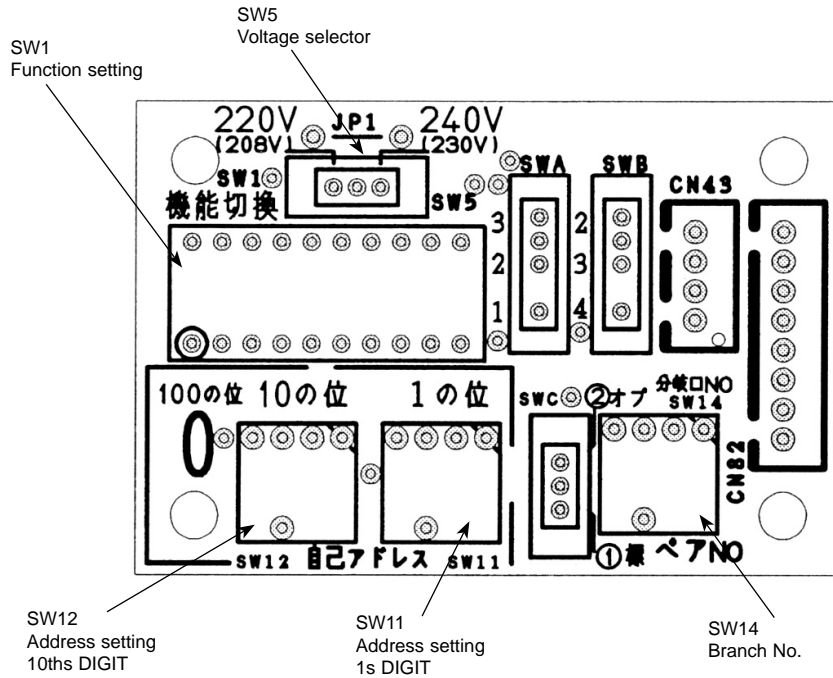
9-4-2. Address board

PMFY-P06NBMU-E  
 PMFY-P06NBMU-E<sub>1</sub>  
 PMFY-P06NBMU-E#2  
 PMFY-P06NBMU-ER3  
 PMFY-P06NBMU-ER4  
 PMFY-P06NBMU-ER5

PMFY-P08NBMU-E  
 PMFY-P08NBMU-E<sub>1</sub>  
 PMFY-P08NBMU-E#2  
 PMFY-P08NBMU-ER3  
 PMFY-P08NBMU-ER4  
 PMFY-P08NBMU-ER5

PMFY-P12NBMU-E  
 PMFY-P12NBMU-E<sub>1</sub>  
 PMFY-P12NBMU-E#2  
 PMFY-P12NBMU-ER3  
 PMFY-P12NBMU-ER4  
 PMFY-P12NBMU-ER5

PMFY-P15NBMU-E  
 PMFY-P15NBMU-E<sub>1</sub>  
 PMFY-P15NBMU-E#2  
 PMFY-P15NBMU-ER3  
 PMFY-P15NBMU-ER4  
 PMFY-P15NBMU-ER5



PMFY-P06NBMU-E  
 PMFY-P06NBMU-E<sub>1</sub>  
 PMFY-P06NBMU-E#2  
 PMFY-P06NBMU-ER3  
 PMFY-P06NBMU-ER4  
 PMFY-P06NBMU-ER5

PMFY-P08NBMU-E  
 PMFY-P08NBMU-E<sub>1</sub>  
 PMFY-P08NBMU-E#2  
 PMFY-P08NBMU-ER3  
 PMFY-P08NBMU-ER4  
 PMFY-P08NBMU-ER5

PMFY-P12NBMU-E  
 PMFY-P12NBMU-E<sub>1</sub>  
 PMFY-P12NBMU-E#2  
 PMFY-P12NBMU-ER3  
 PMFY-P12NBMU-ER4  
 PMFY-P12NBMU-ER5

PMFY-P15NBMU-E  
 PMFY-P15NBMU-E<sub>1</sub>  
 PMFY-P15NBMU-E#2  
 PMFY-P15NBMU-ER3  
 PMFY-P15NBMU-ER4  
 PMFY-P15NBMU-ER5

Be careful when removing heavy parts.

**OPERATING PROCEDURE**

**1. Removing the grille**

Opening the air intake grille

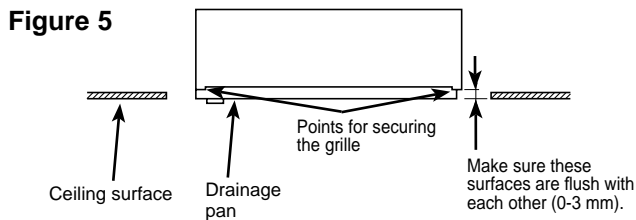
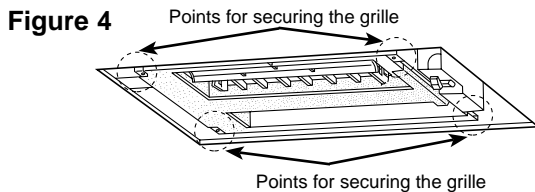
- (1) Press the **PUSH** of the air intake grille. (See Figure 1)
- (2) Put your fingers on the both ends of nut of the air intake grille and put it down after the grille clicked.

Removing the air intake grille

- (1) Press the **PUSH** of the air intake grille, and pull down the both ends of nut with your fingers after the grille clicked. (See Figure 1)
- (2) Pull out the handle of air intake grille strongly toward you. (See Figure 2)
- (3) Draw the string of the air intake grille to prevent the air intake grille from dropping. (See Figure 3)

Checks before setting the grille in place

- (1) Before installing the grille, make sure the indoor unit is square with the ceiling opening (or parallel to the angle between the wall and the ceiling).
- (2) Check that the 4 points where the grille will be secured are in contact with the ceiling surface.
- (3) Check that the insulation for the refrigerant pipes, drainage pipes, etc. is in place and that wiring connections and arrangements are complete.



**PHOTOS & ILLUSTRATIONS**

Photo 1

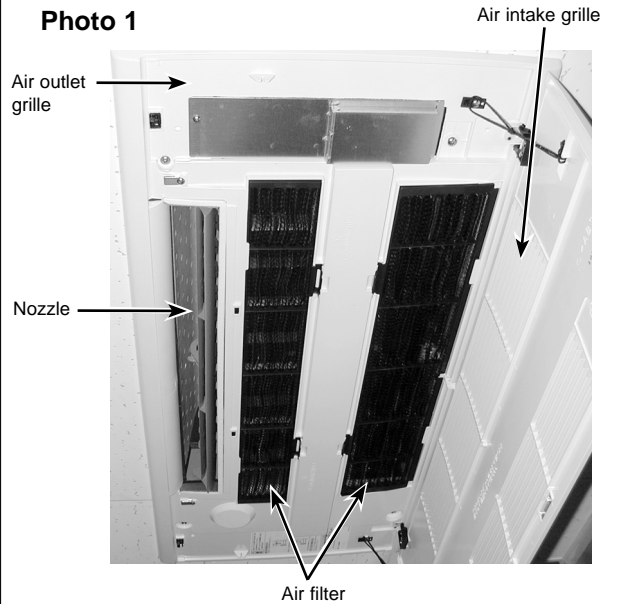


Figure 1

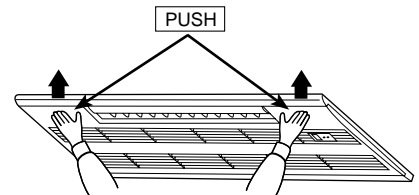


Figure 2

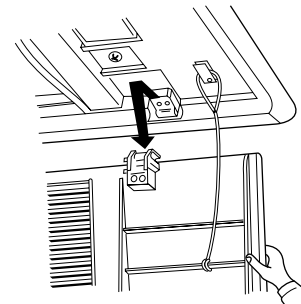
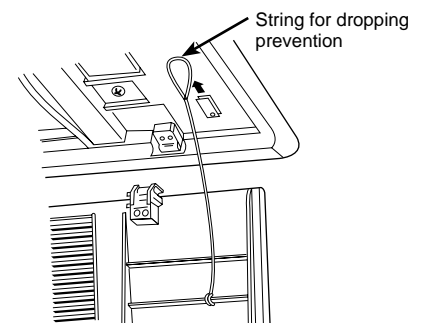


Figure 3



## OPERATING PROCEDURE

### Removing the grille

- (1) Open the intake grille by pressing **PUSH** of the air intake grille and remove the air filter (× 2). (See Figure 1)
- (2) Remove the screw cover in the middle of the air outlet. (See Figure 7)
- (3) Open the upper and lower flaps on the indoor unit completely. (See Figure 7)
- (4) Remove the securing screws (× 7).  
(A): M5 × 0.8 × 16, 6pcs  
(B): 4 × 16, 1pc
- (5) Remove the temporary holding tabs on the grille to the hooks on the indoor unit.

### Attaching the grille

- (1) Open the upper and lower flaps on the indoor unit completely.
- (2) Hook the temporary holding tabs on the front panel to the hooks on the indoor unit.
- (3) Adjust the grille so that it fits properly in the angle between the ceiling and the wall, and install the securing screws (A) (supplied with this grille) in their 4 places at left and right, leaving them slightly loose.
- (4) Tighten the securing bolts (A) and securing screws (B) in the centre 3 places. (See Figure 6)
- (5) Tighten the securing bolts (A) in the 4 places at left and right.  
\* Make sure there are no gaps between the indoor unit and the grille, and between the grille and the ceiling surface. If there are gaps, the wind may come in and it may cause water to drip. (See Figure 8)  
\* Tighten the securing bolts (A) and securing screws (B) completely.
- (6) Replace the air filter and screw cover, and press **PUSH** of the intake grille until you hear it snap into place.

### Checks after setting the grille

- (1) Check that there are no gaps between the indoor unit and the grille, between the grille and the ceiling surface. If there are gaps, the wind may come in and condensation may result.
- (2) Check that the air filter is in place.

## PHOTOS & ILLUSTRATIONS

Figure 6

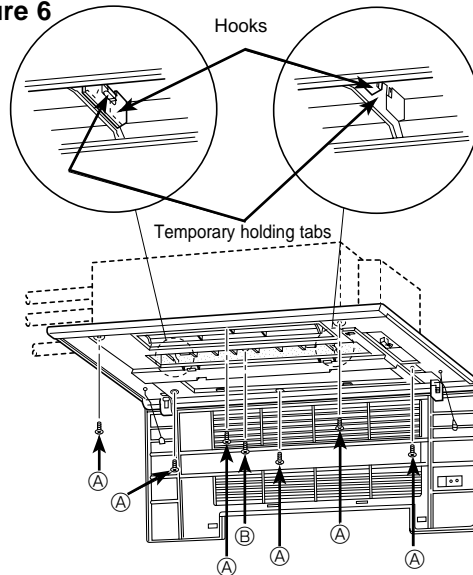


Figure 7

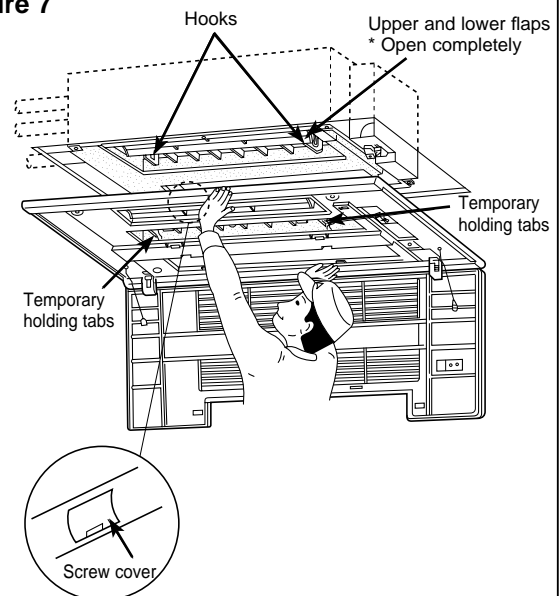
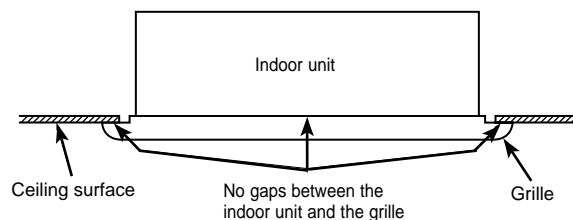
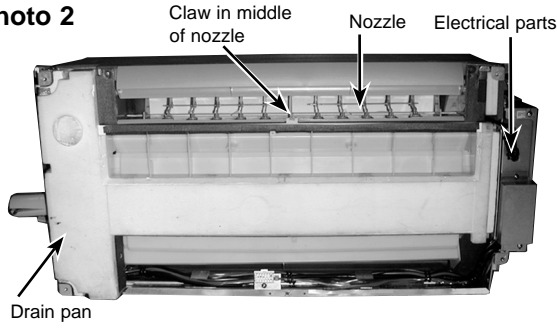
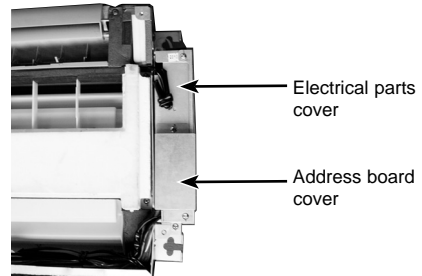
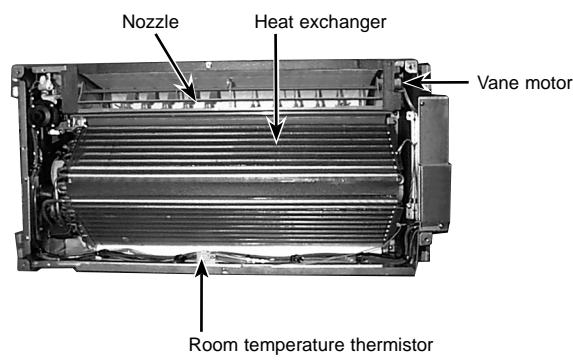
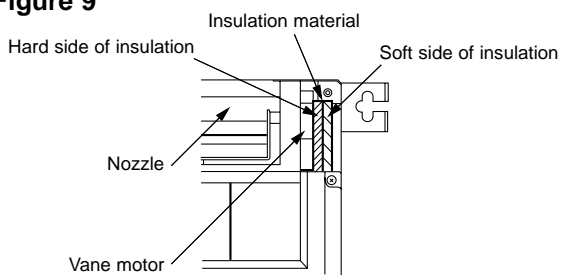
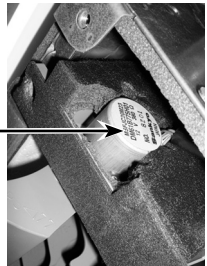


Figure 8







| OPERATING PROCEDURE  | PHOTOS & ILLUSTRATIONS  |
|--|---|
| <p><b>2. Removing the electrical parts box</b></p> <ol style="list-style-type: none"> <li>(1) Remove the panel.</li> <li>(2) Remove the address board cover.</li> <li>(3) Remove the electrical parts cover.</li> <li>(4) Disconnect the connectors of fan motor, vane motor, drain pump, room temperature thermistor, pipe temperature thermistor (Liquid. Gas), condenser/evaporator temperature thermistor, and drain sensor on the electrical controller board.</li> <li>(5) Disconnect the lead wire and earth wire from terminal block.</li> <li>(6) Remove the electrical parts box.</li> </ol>   | <p><b>Photo 2</b></p>  <p><b>Photo 3</b></p>     |
| <p><b>3. Removing the nozzle</b></p> <p><b>Note when the nozzle is removed.</b></p> <ul style="list-style-type: none"> <li>• The insulation material (white) which prevents water drop is mounted to the side of vane motor. Remove the insulation material before removing nozzle. (See Figure 4)</li> <li>• After completing the service, re-mount the insulation material as before as shown in right figure.</li> <li>• After service, mount the double layer insulation without fail. The hard material side should be faced toward the nozzle. (See Figure 4)</li> </ul> <ol style="list-style-type: none"> <li>(1) Remove the panel.</li> <li>(2) Remove the room temperature thermistor.</li> <li>(3) Unhook the claws in the middle of nozzle and remove the drain pan. (5 screws) (See Photo 2)</li> <li>(4) Remove the nozzle side of the heat exchanger. (2 screws)</li> <li>(5) Remove the address board cover. (See Photo 3)</li> <li>(6) Remove the electrical parts cover. (See Photo 3)</li> <li>(7) Disconnect the connector of vane motor.</li> <li>(8) Remove the insulation material (white) on the right side of nozzle.</li> <li>(9) Remove the nozzle. (6 screws)</li> </ol> | <p><b>Photo 4</b></p>  <p><b>Figure 9</b></p>  |
| <p><b>4. Removing the vane motor</b></p> <ol style="list-style-type: none"> <li>(1) Remove the nozzle. Refer to above-mentioned 3. Removing the nozzle.</li> <li>(2) Remove the vane motor from the nozzle.</li> </ol>   | <p><b>Photo 5</b></p>    |

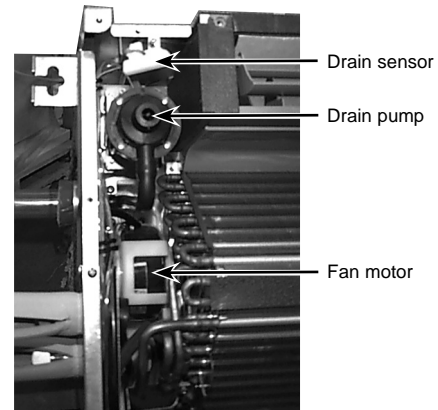
## OPERATING PROCEDURE

## PHOTOS & ILLUSTRATIONS

### 5. Removing the drain pump

- (1) Remove the panel.
- (2) Unhook the claw in the middle of nozzle and remove the drain pan. (See Photo 2)
- (3) Remove the address board cover. (See Photo 3)
- (4) Remove the electrical parts cover. (See Photo 3)
- (5) Disconnect the connector of drain pump.
- (6) Remove the drain hose.
- (7) Remove the drain pump. (2 screws)

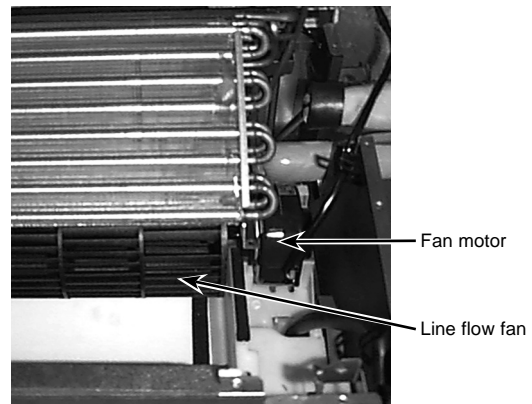
Photo 6



### 6. Removing the fan motor and line flow fan

- (1) Remove the panel.
- (2) Unhook the claw in the middle of nozzle and remove the drain pan. (See Photo 2)
- (3) Unscrew 2 screws at the nozzle side of the heat exchanger.
- (4) Remove the address board cover. (See Photo 3)
- (5) Remove the electrical parts cover. (See Photo 3)
- (6) Disconnect the connector of vane motor, fan motor and drain pump.
- (7) Remove the nozzle side of the heat exchanger. (2 screws)
- (8) Remove the nozzle.
- (9) Remove the drain pump.
- (10) Unscrew 2 screws in the motor support.
- (11) Remove the fan motor and line flow fan. (The fan motor and line flow fan can be removed without removing the heat exchanger.)

Photo 7



### 7. Removing the thermistor <Room temperature detection>

- (1) Remove the panel.
- (2) Remove the address board cover.
- (3) Remove the electrical parts cover.
- (4) Remove the thermistor. <Intake temperature detector>
- (5) Disconnect the lead wire from the cord clamp. (5 points)
- (6) Disconnect the connector (CN20) on the indoor controller board.

### 8. Removing the thermistor

#### <Liquid pipe temperature detection>

#### <Gas pipe temperature detection>

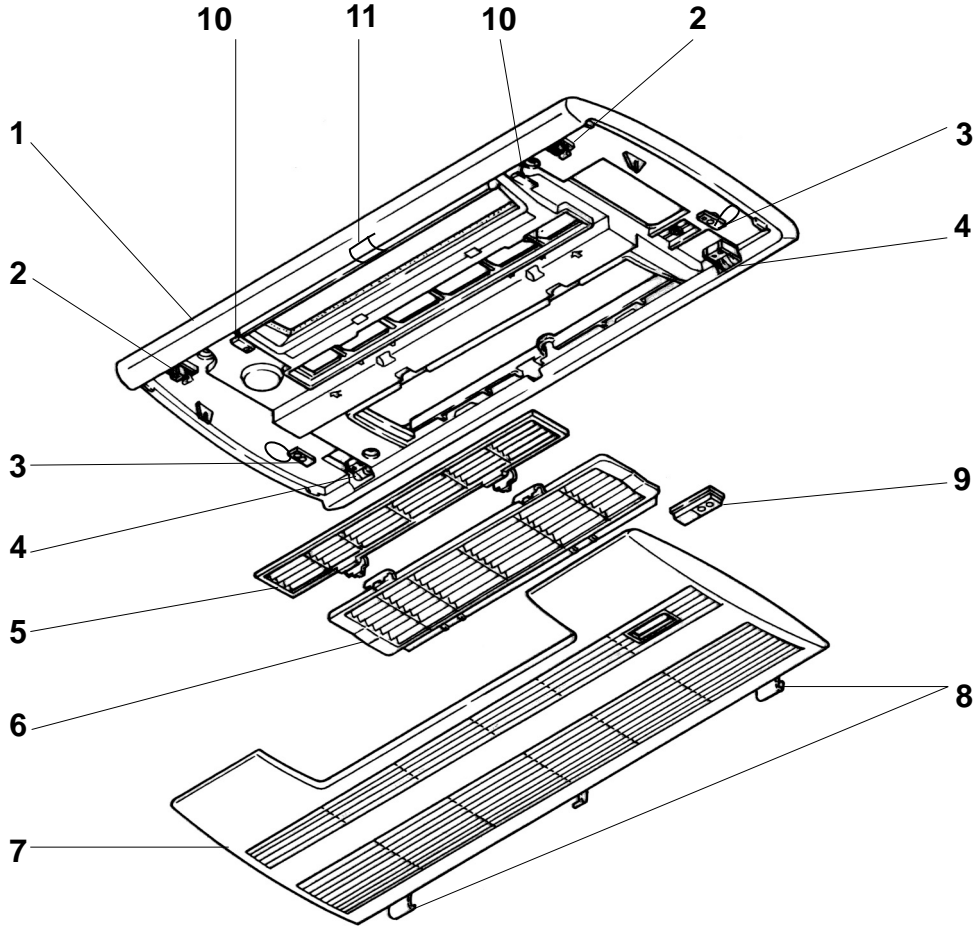
- (1) Remove the panel.
- (2) Remove the address board cover.
- (3) Remove the electrical parts cover.
- (4) Remove the drain pan.
- (5) Remove the thermistor <Gas pipe temperature detection>/<Liquid pipe temperature detection>.
- (6) Disconnect the lead wire from the cord clamp.
- (7) Disconnect the connector (CN21)/(CN29), (CN44) on the indoor controller board.

Connector (CN21) / Liquid (NBMU<sub>(1)</sub>)  
(CN29) / Gas (NBMU<sub>(1)</sub>)  
(CN44) / Liquid and Gas (NBMU#2, NBMUR3,  
NBMUR4, NBMUR5)

PANEL PARTS

PMP-16BMU (FOR PMFY-P06/08/12/15NBMU-E • PMFY-P06/08/12/15NBMU-E<sub>1</sub>)

PMP-16BMUW (FOR PMFY-P06/08/12/15NBMU-E#2 • PMFY-P06/08/12/15NBMU-ER3 • PMFY-P06/08/12/15NBMU-ER4 • PMFY-P06/08/12/15NBMU-ER5)

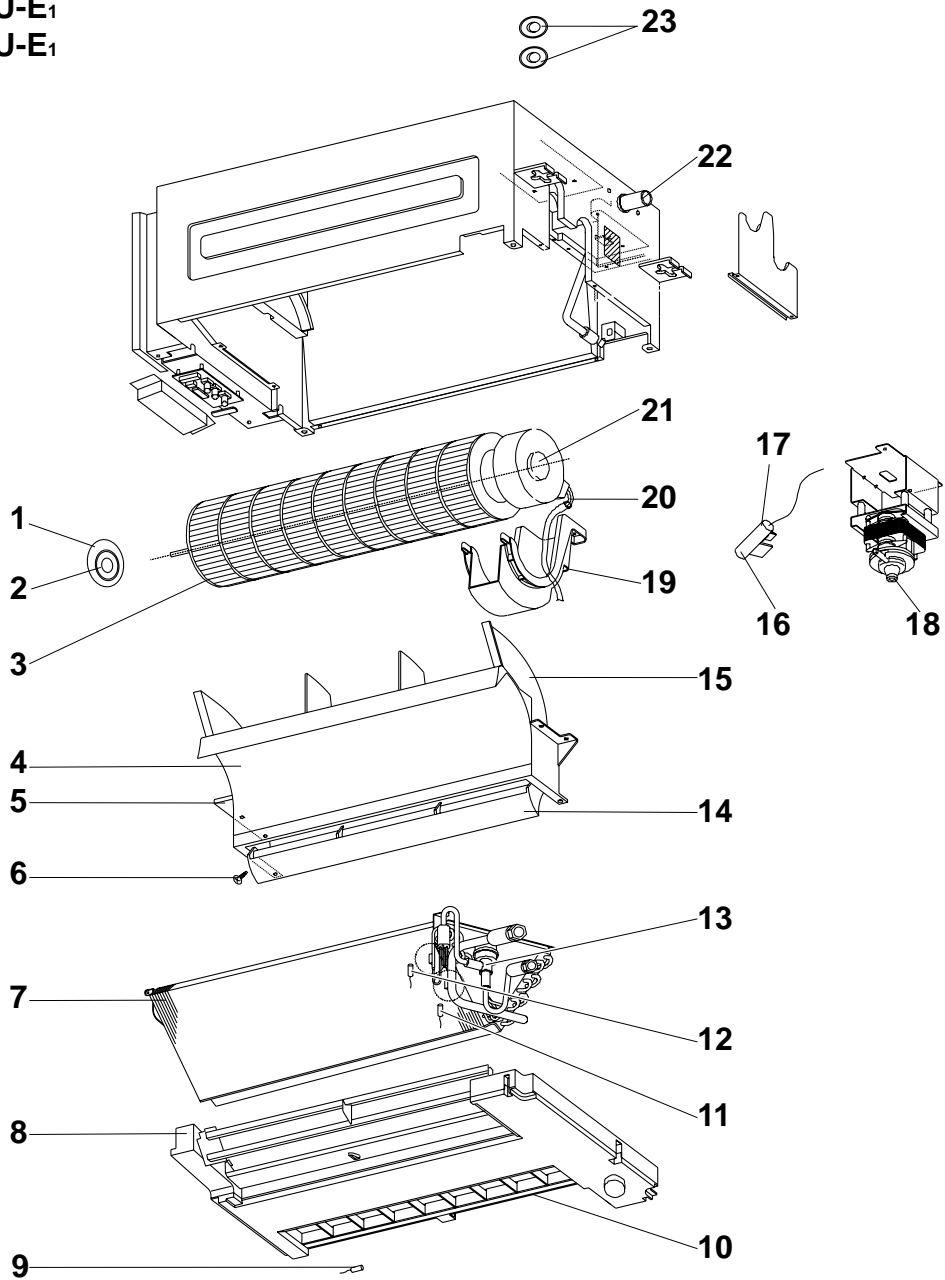


| No. | RoHS | Part No.    | Part Name         | Specification | Q'ty/set |      | Remarks<br>(Drawing No.) | Wiring<br>Diagram<br>Symbol | Recom-<br>mended<br>Q'ty |
|-----|------|-------------|-------------------|---------------|----------|------|--------------------------|-----------------------------|--------------------------|
|     |      |             |                   |               | PMP-16   |      |                          |                             |                          |
|     |      |             |                   |               | BMU      | BMUW |                          |                             |                          |
| 1   | G    | T7W E16 003 | AIR OUTLET GRILLE |               | 1        |      |                          |                             |                          |
|     | G    | T7W E22 003 | AIR OUTLET GRILLE |               |          | 1    |                          |                             |                          |
| 2   | G    | R01 E01 055 | LATCH             |               | 2        | 2    |                          |                             |                          |
| 3   | G    | R01 E01 099 | PANEL HOOK        |               | 2        | 2    |                          |                             |                          |
| 4   | G    | R01 E07 054 | GRILLE CATCH      |               | 2        | 2    |                          |                             |                          |
| 5   | G    | R01 E14 500 | L.L.FILTER        |               | 1        | 1    |                          |                             |                          |
| 6   | G    | R01 E15 500 | L.L.FILTER        |               | 1        | 1    |                          |                             |                          |
| 7   | G    | T7W E04 691 | INTAKE GRILLE     |               | 1        |      |                          |                             |                          |
|     | G    | T7W E06 691 | INTAKE GRILLE     |               |          | 1    |                          |                             |                          |
| 8   | G    | R01 E06 054 | GRILLE SHAFT      |               | 2        | 2    |                          |                             |                          |
| 9   | G    | R01 E01 648 | RECEIVER COVER    |               | 1        | 1    |                          |                             |                          |
| 10  | G    | R01 E01 044 | MAGNET            |               | 2        | 2    |                          |                             |                          |
| 11  | G    | R01 E04 096 | SCREW CAP         |               | 1        |      |                          |                             |                          |
|     | G    | R01 E07 096 | SCREW CAP         |               |          | 1    |                          |                             |                          |

# RoHS PARTS LIST

## FUNCTIONAL PARTS

PMFY-P06NBMU-E  
PMFY-P08NBMU-E  
PMFY-P12NBMU-E  
PMFY-P15NBMU-E  
PMFY-P06NBMU-E<sub>1</sub>  
PMFY-P08NBMU-E<sub>1</sub>  
PMFY-P12NBMU-E<sub>1</sub>  
PMFY-P15NBMU-E<sub>1</sub>



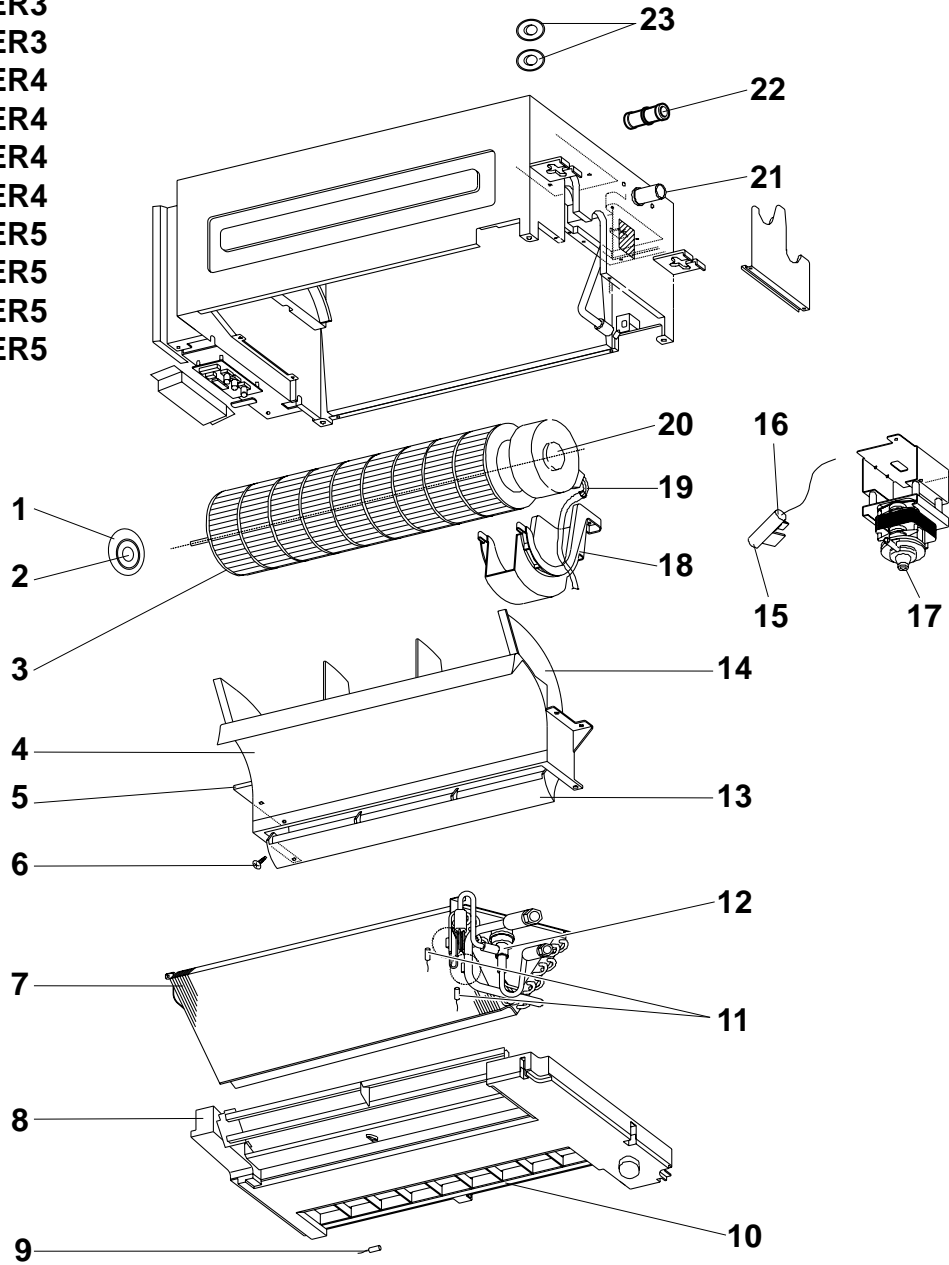
# RoHS PARTS LIST

Part number that is circled is not shown in the figure.

| No.   | RoHS  | Part No.    | Part Name       | Specification | Q'ty/set |   |                       |   | Remarks<br>(Drawing No.) | Wiring<br>Diagram<br>Symbol | Recom-<br>mended<br>Q'ty |
|-------|-------|-------------|-----------------|---------------|----------|---|-----------------------|---|--------------------------|-----------------------------|--------------------------|
|       |       |             |                 |               | PMFY-    |   |                       |   |                          |                             |                          |
|       |       |             |                 |               | P-NBMU-E |   | P-NBMU-E <sub>1</sub> |   |                          |                             |                          |
| 06/08 | 12/15 | 06/08       | 12/15           |               |          |   |                       |   |                          |                             |                          |
| 1     | G     | R01 23A 102 | BEARING MOUNT   |               | 1        | 1 | 1                     | 1 |                          |                             |                          |
| 2     | G     | R01 E04 103 | SLEEVE BEARING  |               | 1        | 1 | 1                     | 1 |                          |                             |                          |
| 3     | G     | R01 E32 114 | LINE FLOW FAN   |               | 1        | 1 | 1                     | 1 |                          |                             |                          |
| 4     | G     | R01 E01 079 | STABILIZER ASSY |               | 1        | 1 | 1                     | 1 |                          |                             |                          |
| 5     | G     | R01 E18 223 | VANE MOTOR      |               | 1        | 1 | 1                     | 1 |                          | MV                          |                          |
| 6     | G     | R01 E02 092 | VANE SLEEVE     |               | 1        | 1 | 1                     | 1 |                          |                             |                          |
| 7     | G     | T7W H08 480 | HEAT EXCHANGER  |               | 1        |   | 1                     |   |                          |                             |                          |
|       | G     | T7W H09 480 | HEAT EXCHANGER  |               |          | 1 |                       | 1 |                          |                             |                          |
| 8     | G     | R01 E30 529 | DRAIN PAN ASSY  |               | 1        | 1 | 1                     | 1 |                          |                             |                          |
| 9     | G     | R01 H12 202 | THERMISTOR      | ROOM          | 1        | 1 | 1                     | 1 |                          | TH21                        |                          |
| 10    | G     | R01 E03 038 | GUIDE VANE      |               | 1        | 1 | 1                     | 1 | 8pcs/set                 |                             |                          |
| 11    | G     | R01 H16 202 | THERMISTOR      | LIQUID        | 1        | 1 | 1                     | 1 |                          | TH22                        |                          |
| 12    | G     | R01 H17 202 | THERMISTOR      | GAS           | 1        | 1 | 1                     | 1 |                          | TH23                        |                          |
| 13    | G     | R01 H06 401 | EXPANSION VALVE |               | 1        | 1 | 1                     | 1 |                          | LEV                         |                          |
| 14    | G     | R01 E16 002 | VANE            |               | 1        | 1 | 1                     | 1 |                          |                             |                          |
| 15    | G     | R01 E05 110 | CASING ASSY     |               | 1        | 1 | 1                     | 1 |                          |                             |                          |
| 16    | G     | R01 32K 241 | SENSOR HOLDER   |               | 1        | 1 | 1                     | 1 |                          |                             |                          |
| 17    | G     | R01 E11 266 | DRAIN SENSOR    |               | 1        | 1 | 1                     | 1 |                          | DS                          |                          |
| 18    | G     | T7W E11 355 | DRAIN PUMP      |               | 1        | 1 | 1                     | 1 |                          | DP                          |                          |
| 19    | G     | R01 E35 130 | MOTOR SUPPORT   |               | 1        | 1 | 1                     | 1 |                          |                             |                          |
| 20    | G     | R01 E24 220 | FAN MOTOR       |               | 1        | 1 |                       |   |                          | MF                          |                          |
|       | G     | R01 E45 220 | FAN MOTOR       |               |          |   | 1                     | 1 |                          | MF                          |                          |
| 21    | G     | R01 E13 105 | MOTOR MOUNT     |               | 1        | 1 | 1                     | 1 |                          |                             |                          |
| 22    | G     | R01 E05 527 | DRAIN PIPE ASSY |               | 1        | 1 | 1                     | 1 |                          |                             |                          |
| 23    | G     | R01 E03 673 | SCREW & WASHER  |               | 1        | 1 | 1                     | 1 | set                      |                             |                          |

# RoHS PARTS LIST

**FUNCTIONAL PARTS**  
**PMFY-P06NBMU-E#2**  
**PMFY-P08NBMU-E#2**  
**PMFY-P12NBMU-E#2**  
**PMFY-P15NBMU-E#2**  
**PMFY-P06NBMU-ER3**  
**PMFY-P08NBMU-ER3**  
**PMFY-P12NBMU-ER3**  
**PMFY-P15NBMU-ER3**  
**PMFY-P06NBMU-ER4**  
**PMFY-P08NBMU-ER4**  
**PMFY-P12NBMU-ER4**  
**PMFY-P15NBMU-ER4**  
**PMFY-P06NBMU-ER5**  
**PMFY-P08NBMU-ER5**  
**PMFY-P12NBMU-ER5**  
**PMFY-P15NBMU-ER5**



# RoHS PARTS LIST

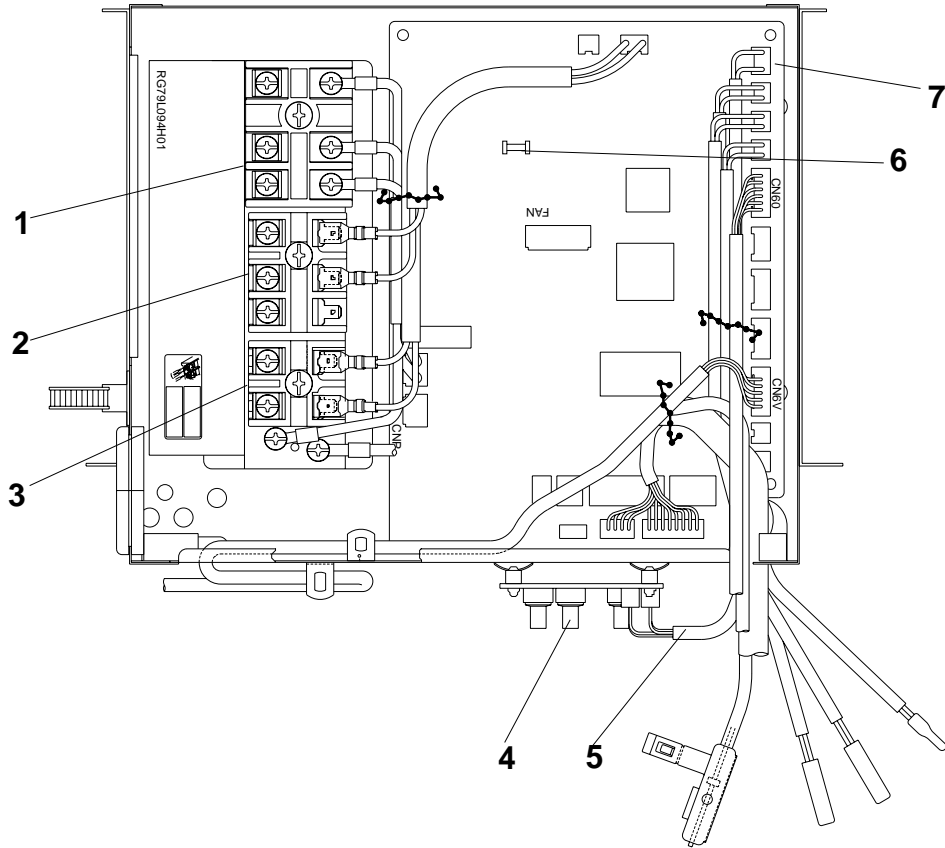
Part number that is circled is not shown in the figure.

| No. | RoHS | Part No.    | Part Name        | Specification | Q'ty/set             |       |                      |       | Remarks<br>(Drawing No.) | Wiring<br>Diagram<br>Symbol | Recom-<br>mended<br>Q'ty |
|-----|------|-------------|------------------|---------------|----------------------|-------|----------------------|-------|--------------------------|-----------------------------|--------------------------|
|     |      |             |                  |               | PMFY-P.              |       |                      |       |                          |                             |                          |
|     |      |             |                  |               | NBMU-E#2<br>NBMU-ER3 |       | NBMU-ER4<br>NBMU-ER5 |       |                          |                             |                          |
|     |      |             |                  |               | 06/08                | 12/15 | 06/08                | 12/15 |                          |                             |                          |
| 1   | G    | R01 23A 102 | BEARING MOUNT    |               | 1                    | 1     | 1                    | 1     |                          |                             |                          |
| 2   | G    | R01 E04 103 | SLEEVING BEARING |               | 1                    | 1     | 1                    | 1     |                          |                             |                          |
| 3   | G    | R01 E32 114 | LINE FLOW FAN    |               | 1                    | 1     | 1                    | 1     |                          |                             |                          |
| 4   | G    | R01 E01 079 | STABILIZER ASSY  |               | 1                    | 1     | 1                    | 1     |                          |                             |                          |
| 5   | G    | R01 E18 223 | VANE MOTOR       |               | 1                    | 1     | 1                    | 1     |                          | MV                          |                          |
| 6   | G    | R01 E02 092 | VANE SLEEVE      |               | 1                    | 1     | 1                    | 1     |                          |                             |                          |
| 7   | G    | T7W H92 480 | HEAT EXCHANGER   |               | 1                    |       | 1                    |       |                          |                             |                          |
|     | G    | T7W H93 480 | HEAT EXCHANGER   |               |                      | 1     |                      | 1     |                          |                             |                          |
| 8   | G    | R01 E30 529 | DRAIN PAN ASSY   |               | 1                    | 1     | 1                    | 1     |                          |                             |                          |
| 9   | G    | R01 H12 202 | THERMISTOR       | ROOM          | 1                    | 1     | 1                    | 1     |                          | TH21                        |                          |
| 10  | G    | R01 E03 038 | GUIDE VANE       |               | 1                    | 1     | 1                    | 1     | 8pcs/set                 |                             |                          |
| 11  | G    | R01 N15 202 | THERMISTOR       | LIQUID/GAS    | 1                    | 1     | 1                    | 1     |                          | TH22,23                     |                          |
| 12  | G    | R01 H06 401 | EXPANSION VALVE  |               | 1                    | 1     | 1                    | 1     |                          | LEV                         |                          |
| 13  | G    | R01 E16 002 | VANE             |               | 1                    | 1     | 1                    | 1     |                          |                             |                          |
| 14  | G    | R01 E05 110 | CASING ASSY      |               | 1                    | 1     | 1                    | 1     |                          |                             |                          |
| 15  | G    | R01 32K 241 | SENSOR HOLDER    |               | 1                    | 1     | 1                    | 1     |                          |                             |                          |
| 16  | G    | R01 E11 266 | DRAIN SENSOR     |               | 1                    | 1     | 1                    | 1     |                          | DS                          |                          |
| 17  | G    | T7W E11 355 | DRAIN PUMP       |               | 1                    | 1     | 1                    | 1     |                          | DP                          |                          |
| 18  | G    | R01 E35 130 | MOTOR SUPPORT    |               | 1                    | 1     | 1                    | 1     |                          |                             |                          |
| 19  | G    | R01 E49 220 | FAN MOTOR        |               | 1                    | 1     | 1                    | 1     |                          | MF                          |                          |
| 20  | G    | R01 E13 105 | MOTOR MOUNT      |               | 1                    | 1     | 1                    | 1     | L/R set                  |                             |                          |
| 21  | G    | R01 E05 527 | DRAIN PIPE ASSY  |               | 1                    | 1     |                      |       |                          |                             |                          |
|     | G    | R01 E10 527 | DRAIN PIPE ASSY  |               |                      |       | 1                    | 1     |                          |                             |                          |
| 22  | G    | R01 18J 523 | JOINT SOCKET     |               |                      |       | 1                    | 1     |                          |                             |                          |
| 23  | G    | R01 E03 673 | SCREW & WASHER   |               | 1                    | 1     | 1                    | 1     | set                      |                             |                          |

# RoHS PARTS LIST

## ELECTRICAL PARTS

|                             |                             |                             |                             |
|-----------------------------|-----------------------------|-----------------------------|-----------------------------|
| PMFY-P06NBMU-E              | PMFY-P08NBMU-E              | PMFY-P12NBMU-E              | PMFY-P15NBMU-E              |
| PMFY-P06NBMU-E <sub>1</sub> | PMFY-P08NBMU-E <sub>1</sub> | PMFY-P12NBMU-E <sub>1</sub> | PMFY-P15NBMU-E <sub>1</sub> |
| PMFY-P06NBMU-E#2            | PMFY-P08NBMU-E#2            | PMFY-P12NBMU-E#2            | PMFY-P15NBMU-E#2            |
| PMFY-P06NBMU-ER3            | PMFY-P08NBMU-ER3            | PMFY-P12NBMU-ER3            | PMFY-P15NBMU-ER3            |
| PMFY-P06NBMU-ER4            | PMFY-P08NBMU-ER4            | PMFY-P12NBMU-ER4            | PMFY-P15NBMU-ER4            |
| PMFY-P06NBMU-ER5            | PMFY-P08NBMU-ER5            | PMFY-P12NBMU-ER5            | PMFY-P15NBMU-ER5            |



| No. | RoHS | Part No.    | Part No.                | Specification   | Q'ty/set          |                     |          |          |          |          | Remarks<br>(Drawing No.) | Wiring Diagram Symbol | Recommended Q'ty |
|-----|------|-------------|-------------------------|-----------------|-------------------|---------------------|----------|----------|----------|----------|--------------------------|-----------------------|------------------|
|     |      |             |                         |                 | PMFY-P06/08/12/15 |                     |          |          |          |          |                          |                       |                  |
|     |      |             |                         |                 | NBMU-E            | NBMU-E <sub>1</sub> | NBMU-E#2 | NBMU-ER3 | NBMU-ER4 | NBMU-ER5 |                          |                       |                  |
| 1   | G    | T7W E41 716 | TERMINAL BLOCK          | 3P (L1, L2, GR) | 1                 | 1                   | 1        | 1        | 1        | 1        |                          | TB2                   |                  |
| 2   | G    | R01 E27 246 | TERMINAL BLOCK          | 3P (M1, M2, S)  | 1                 | 1                   | 1        | 1        | 1        | 1        |                          | TB5                   |                  |
| 3   | G    | R01 E53 246 | TERMINAL BLOCK          | 2P (1, 2)       | 1                 | 1                   | 1        | 1        | 1        | 1        |                          | TB15                  |                  |
| 4   | G    | T7W E01 294 | ADDRESS BOARD           |                 | 1                 | 1                   | 1        | 1        | 1        | 1        |                          | A.B                   |                  |
| 5   | G    | R01 E10 304 | CABLE ASSY              |                 | 1                 | 1                   | 1        | 1        | 1        | 1        |                          |                       |                  |
| 6   | G    | T7W 420 239 | FUSE                    | 250V, 6A        | 1                 | 1                   |          |          |          |          |                          | FUSE                  |                  |
|     | G    | R01 E06 239 | FUSE                    | 250V, 6.3A      |                   |                     | 1        | 1        | 1        | 1        |                          | FUSE                  |                  |
| 7   | G    | T7W E59 310 | INDOOR CONTROLLER BOARD |                 | 1                 |                     |          |          |          |          |                          | I.B                   |                  |
|     | G    | T7W E67 310 | INDOOR CONTROLLER BOARD |                 |                   | 1                   |          |          |          |          |                          | I.B                   |                  |
|     | G    | T7W E72 310 | INDOOR CONTROLLER BOARD |                 |                   |                     | 1        |          |          |          |                          | I.B                   |                  |
|     | G    | T7W E85 310 | INDOOR CONTROLLER BOARD |                 |                   |                     |          | 1        | 1        |          |                          | I.B                   |                  |
|     | G    | T7W C04 310 | INDOOR CONTROLLER BOARD |                 |                   |                     |          |          |          | 1        |                          | I.B                   |                  |





# CITY MULTI™

## MITSUBISHI ELECTRIC CORPORATION

HEAD OFFICE : TOKYO BLDG., 2-7-3, MARUNOUCHI, CHIYODA-KU, TOKYO100-8310, JAPAN

©Copyright 2005 MITSUBISHI ELECTRIC CORPORATION  
Distributed in Apr. 2012 No. OC341 REVISED EDITION-F  
Distributed in Dec. 2009 No. OC341 REVISED EDITION-E PDF 7  
Distributed in Dec. 2008 No. OC341 REVISED EDITION-D PDF 7  
Distributed in May 2008 No. OC341 REVISED EDITION-C PDF 7  
Distributed in Jul. 2007 No. OC341 REVISED EDITION-B PDF 9  
Distributed in Aug. 2006 No. OC341 REVISED EDITION-A PDF 9  
Distributed in Jun. 2005 No. OC341 PDF 10  
Made in Japan

New publication, effective Apr. 2012  
Specifications are subject to change without notice.