



**Mr. SLIM**

# Air-Conditioners

## PKA-A·FA

## PKA-A·FAL

### **INSTALLATION MANUAL**

For safe and correct use, read this manual and the outdoor unit installation manual thoroughly before installing the air-conditioner unit.

**FOR INSTALLER**

**English**

# Contents

1. Safety precautions .....	2	5. Drainage piping work (Fig. 5-1) .....	6
2. Installation location .....	3	6. Electrical work .....	7
3. Installing the indoor unit .....	3	7. Test run .....	12
4. Installing the refrigerant piping .....	5	8. Easy maintenance function (Option) .....	15

## 1. Safety precautions

- ▶ Before installing the unit, make sure you read all the "Safety precautions".
- ▶ Please report to your supply authority or obtain their consent before connecting this equipment to the power supply system.

**⚠ Warning:**  
Describes precautions that must be observed to prevent danger of injury or death to the user.

**⚠ Caution:**  
Describes precautions that must be observed to prevent damage to the unit.

- ⚠ Warning:**
- Ask a dealer or an authorized technician to install the unit.
  - For installation work, follow the instructions in the Installation Manual and use tools and pipe components specifically made for use with refrigerant specified in the outdoor unit installation manual.
  - The unit must be installed according to the instructions in order to minimize the risk of damage from earthquakes, typhoons, or strong winds. An incorrectly installed unit may fall down and cause damage or injuries.
  - The unit must be securely installed on a structure that can sustain its weight.
  - If the air conditioner is installed in a small room, measures must be taken to prevent the refrigerant concentration in the room from exceeding the safety limit in the event of refrigerant leakage. Should the refrigerant leak and cause the concentration limit to be exceeded, hazards due to lack of oxygen in the room may result.

After installation work has been completed, explain the "Safety Precautions," use, and maintenance of the unit to the customer according to the information in the Operation Manual and perform the test run to ensure normal operation. Both the Installation Manual and Operation Manual must be given to the user for keeping. These manuals must be passed on to subsequent users.

**⚡** : Indicates a part which must be grounded.

**⚠ Warning:**  
Carefully read the labels affixed to the main unit.

- Ventilate the room if refrigerant leaks during operation. If refrigerant comes into contact with a flame, poisonous gases will be released.
- All electric work must be performed by a qualified technician according to local regulations and the instructions given in this manual.
- Use only specified cables for wiring.
- The terminal block cover panel of the unit must be firmly attached.
- Use only accessories authorized by Mitsubishi Electric and ask a dealer or an authorized technician to install them.
- The user should never attempt to repair the unit or transfer it to another location.
- After installation has been completed, check for refrigerant leaks. If refrigerant leaks into the room and comes into contact with the flame of a heater or portable cooking range, poisonous gases will be released.

### 1.1. Before installation (Environment)

- ⚠ Caution:**
- Do not use the unit in an unusual environment. If the air conditioner is installed in areas exposed to steam, volatile oil (including machine oil), or sulfuric gas, areas exposed to high salt content such as the seaside, the performance can be significantly reduced and the internal parts can be damaged.
  - Do not install the unit where combustible gases may leak, be produced, flow, or accumulate. If combustible gas accumulates around the unit, fire or explosion may result.
  - Do not keep food, plants, caged pets, artwork, or precision instruments in the direct airflow of the indoor unit or too close to the unit, as these items can be damaged by temperature changes or dripping water.

- When the room humidity exceeds 80% or when the drainpipe is clogged, water may drip from the indoor unit. Do not install the indoor unit where such dripping can cause damage.
- When installing the unit in a hospital or communications office, be prepared for noise and electronic interference. Inverters, home appliances, high-frequency medical equipment, and radio communications equipment can cause the air conditioner to malfunction or breakdown. The air conditioner may also affect medical equipment, disturbing medical care, and communications equipment, harming the screen display quality.

### 1.2. Before installation or relocation

- ⚠ Caution:**
- Be extremely careful when transporting the units. Two or more persons are needed to handle the unit, as it weighs 20 kg, 44 lbs or more. Do not grasp the packaging bands. Wear protective gloves as you can injure your hands on the fins or other parts.
  - Be sure to safely dispose of the packaging materials. Packaging materials, such as nails and other metal or wooden parts may cause stabs or other injuries.

- Thermal insulation of the refrigerant pipe is necessary to prevent condensation. If the refrigerant pipe is not properly insulated, condensation will be formed.
- Place thermal insulation on the pipes to prevent condensation. If the drainpipe is installed incorrectly, water leakage and damage to the ceiling, floor, furniture, or other possessions may result.
- Do not clean the air conditioner unit with water. Electric shock may result.
- Tighten all flare nuts to specification using a torque wrench. If tightened too much, the flare nut can break after an extended period.

### 1.3. Before electric work

- ⚠ Caution:**
- Be sure to install circuit breakers. If not installed, electric shock may result.
  - For the power lines, use standard cables of sufficient capacity. Otherwise, a short circuit, overheating, or fire may result.
  - When installing the power lines, do not apply tension to the cables.

- Be sure to ground the unit. If the unit is not properly grounded, electric shock may result.
- Use circuit breakers (ground fault interrupter, isolating switch (+B fuse), and molded case circuit breaker) with the specified capacity. If the circuit breaker capacity is larger than the specified capacity, breakdown or fire may result.

### 1.4. Before starting the test run

- ⚠ Caution:**
- Turn on the main power switch more than 12 hours before starting operation. Starting operation just after turning on the power switch can severely damage the internal parts.
  - Before starting operation, check that all panels, guards and other protective parts are correctly installed. Rotating, hot, or high voltage parts can cause injuries.

- Do not operate the air conditioner without the air filter set in place. If the air filter is not installed, dust may accumulate and breakdown may result.
- Do not touch any switch with wet hands. Electric shock may result.
- Do not touch the refrigerant pipes with bare hands during operation.
- After stopping operation, be sure to wait at least five minutes before turning off the main power switch. Otherwise, water leakage or breakdown may result.



### 3. Installing the indoor unit

① A24, A30

(inch)

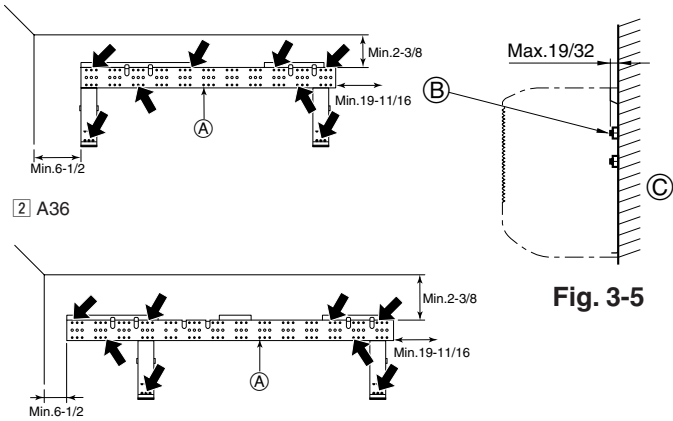


Fig. 3-4

Fig. 3-5

#### 3) Installing the wall mounting fixture

- ▶ Since the indoor unit weighs near 30 kg, 66 lbs, selection of the mounting location requires thorough consideration. If the wall does not seem to be strong enough, reinforce it with boards or beams before installation.
- ▶ The mounting fixture must be secured at both ends and at the centre, if possible. Never fix it at a single spot or in any nonsymmetrical way. (If possible, secure the fixture at all the positions marked with a bold arrow.) (Fig. 3-4)
- ▶ Secure the wall mounting fixture through its middle row of 12-mm, 1/2 inch-dia. holes using locally purchased bolts (through bolts, bolt anchor and nut anchor) of M10 or W3/8 threading. The bolt tip must not protrude by more than 15 mm, 9/32 inch from the wall surface. (Fig. 3-5) Use at least two bolts for a concrete wall, and at least four bolts for a foamed concrete wall.

Ⓐ Wall-fixing bracket Ⓑ Mounting bolt Ⓒ Wall

#### ⚠ Warning:

If possible, secure the fixture at all the positions marked with a bold arrow.

#### ⚠ Caution:

The unit body must be mounted horizontally.

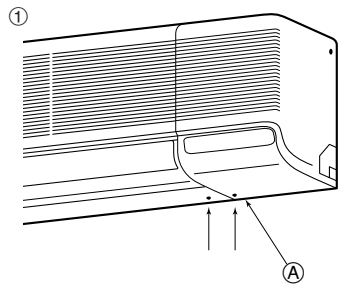


Fig. 3-6

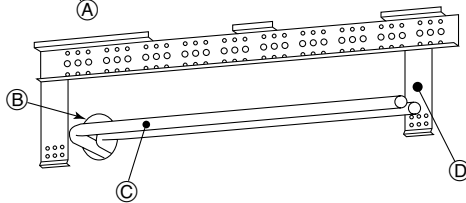


Fig. 3-7

### 3.3. Preparation for piping connection

Remove the vinyl band that holds the drain piping.

- This vinyl band can be used to temporarily attach the pipes to the wall mounting fixture while connecting the left pipe.

#### 1) Rear, right and lower piping (Fig. 3-6)

- ① Remove the right side panel.

#### 2) Left and left rear piping

- ① Remove the side panel.

#### When embedding pipes into the wall (Fig. 3-7)

When the refrigerant pipe, drain pipes, internal/external connection lines, etc., are to be embedded into the wall in advance, the extruding pipes, etc., may have to be bent and have their length modified to the unit.

- Make the pipes to be embedded slightly longer than necessary, and install.

Ⓐ Right side panel Ⓑ Through hole  
Ⓒ On-site piping Ⓓ Wall-fixing bracket ①

- ② Remove the five screws indicated by the arrows in the diagram. (Fig. 3-8)

- ③ Remove the left side panel, then the lower panel.

1. While pushing up the front lower portion of the side panel (to disengage the side panel catch from the unit catch), slide the upper portion of the side panel to the left.

- When the indoor unit is already mounted, be sure the unit does not fall from the wall mounting fixture.

- For reassembly, put the catch at the front lower portion of the side panel over the unit body and push it to the right.

Ⓐ Grille Ⓓ Catch  
Ⓑ Left side panel Ⓔ Side panel  
Ⓒ Lower panel Ⓕ Unit body

\* Structure of the side panel and the unit body (Fig. 3-9)

1. Panel catch engages the unit body catch.
2. Panel catch is put in the unit body hole.
3. Panel catch engages the unit body catch.
4. Sheet metal of the unit body enters the panel.
5. Panel catch enters the unit body hole.

- ④ The drain hose can be connected at two different positions. Use the most convenient position and, if necessary, exchange the position of the drain pan, rubber plug and the drain hose. (Fig. 3-10)

Ⓖ Drain pan  
Ⓗ Band  
Ⓘ Plug  
Ⓝ Drain hose  
Ⓚ Screwdriver

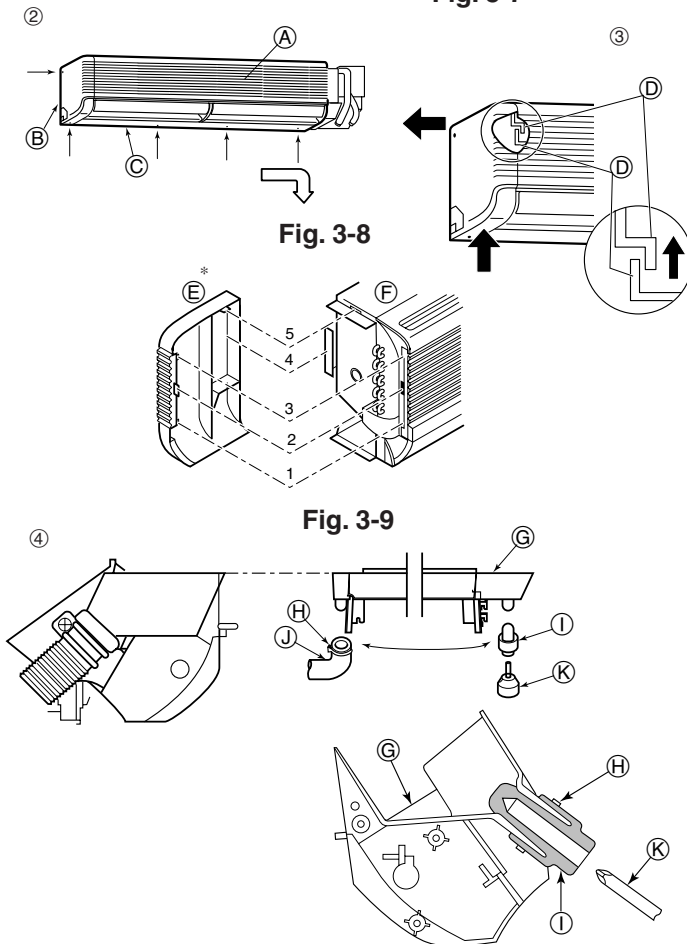


Fig. 3-10

### 3. Installing the indoor unit

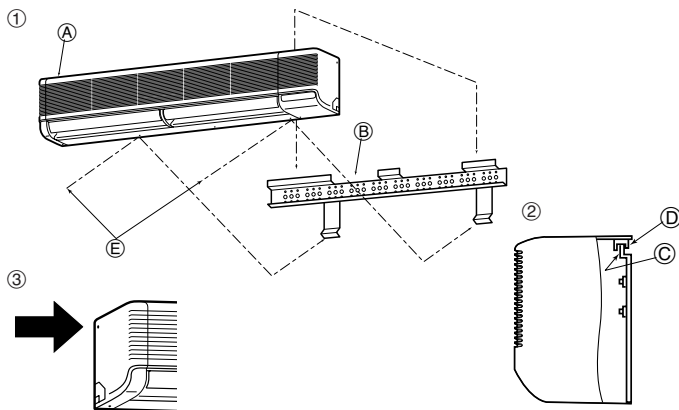


Fig. 3-11

### 3.4. Mounting the indoor unit (Fig. 3-11)

- ① Make sure to hang the metal catches of the indoor unit over the hooks of the wall mounting fixture.
- ② When the piping has been completed, use the securing screws to fix the indoor unit on the wall mounting fixture.

**Note:**

**Check that the catches of the indoor unit securely fit over the hooks of the wall mounting fixture.**

- ③ The screw indicated by the bold arrow is used only during transportation and should be removed. Remove the screw before installation if there is not enough space at the left side to remove it once the unit has been installed.

- Ⓐ Indoor unit
- Ⓑ Wall fixing bracket ①
- Ⓒ Hook
- Ⓓ Metal catch of the indoor unit
- Ⓔ Securing screws

### 4. Installing the refrigerant piping

#### 4.1. Precautions

#### 4.1.1. For devices that use R410A refrigerant

- Use ester oil, ether oil, alkylbenzene oil (small amount) as the refrigeration oil applied to the flared sections.
- Use C1220 copper phosphorus, for copper and copper alloy seamless pipes, to connect the refrigerant pipes. Use refrigerant pipes with the thicknesses specified in the table to the below. Make sure the insides of the pipes are clean and do not contain any harmful contaminants such as sulfuric compounds, oxidants, debris, or dust.

**Warning:**

When installing or moving the air conditioner, use only the specified refrigerant (R410A) to charge the refrigerant lines. Do not mix it with any other refrigerant and do not allow air to remain in the lines. Air enclosed in the lines can cause pressure peaks resulting in a rupture and other hazards.

	A24, A30, A36
Liquid pipe	ø9.52 mm, 3/8 inch thickness 0.8 mm, 1/32 inch
Gas pipe	ø15.88 mm, 5/8 inch thickness 1.0 mm, 3/64 inch

- Do not use pipes thinner than those specified above.

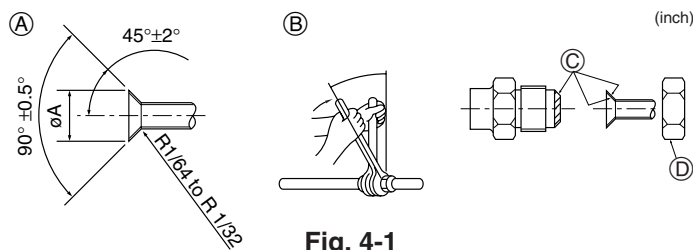


Fig. 4-1

Ⓐ Flare cutting dimensions

Copper pipe O.D. (mm, inch)	Flare dimensions øA dimensions (mm, inch)
ø6.35, 1/4"	8.7 - 9.1, 11/32-23/64
ø9.52, 3/8"	12.8 - 13.2, 1/2-33/64
ø12.7, 1/2"	16.2 - 16.6, 41/64-21/32
ø15.88, 5/8"	19.3 - 19.7, 49/64-25/32

#### 4.2. Connecting pipes (Fig. 4-1)

- When commercially available copper pipes are used, wrap liquid and gas pipes with commercially available insulation materials (heat-resistant to 100 °C, 212 °F or more, thickness of 12 mm, 1/2 inch or more).
  - The indoor parts of the drain pipe should be wrapped with polyethylene foam insulation materials (specific gravity of 0.03, thickness of 9 mm, 23/64 inch or more).
  - Apply thin layer of refrigerant oil to pipe and joint seating surface before tightening flare nut.
  - Use two wrenches to tighten piping connections.
  - Use refrigerant piping insulation provided to insulate indoor unit connections. Insulate carefully.
- Ⓑ Flare nut tightening torque

Copper pipe O.D. (mm, inch)	Flare nut O.D. (mm, inch)	Tightening torque (N·m, ft·lbs)
ø6.35, 1/4"	17, 43/64	14 - 18, 10-13
ø9.52, 3/8"	22, 7/8	34 - 42, 25-30
ø12.7, 1/2"	26, 1-3/64	49 - 61, 35-44
ø15.88, 5/8"	29, 1-9/64	68 - 82, 49-59

Ⓒ Apply refrigerating machine oil over the entire flare seat surface.

Ⓓ Use correct flare nuts meeting the pipe size of the outdoor unit.

**Available pipe size**

	A24, A30, A36
Liquid side	—
	ø9.52
Gas side	—
	ø15.88

○ : Factory flare nut attachment to the heat-exchanger.

## 4. Installing the refrigerant piping

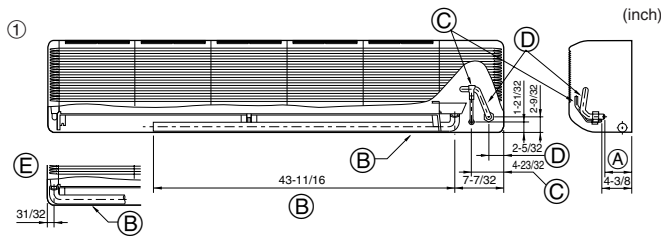


Fig. 4-2

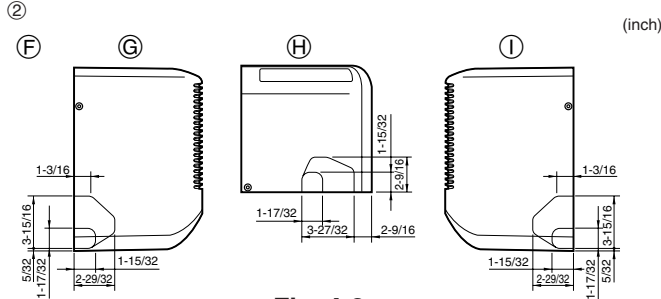


Fig. 4-3

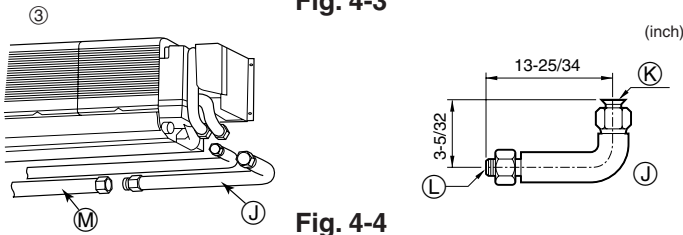


Fig. 4-4

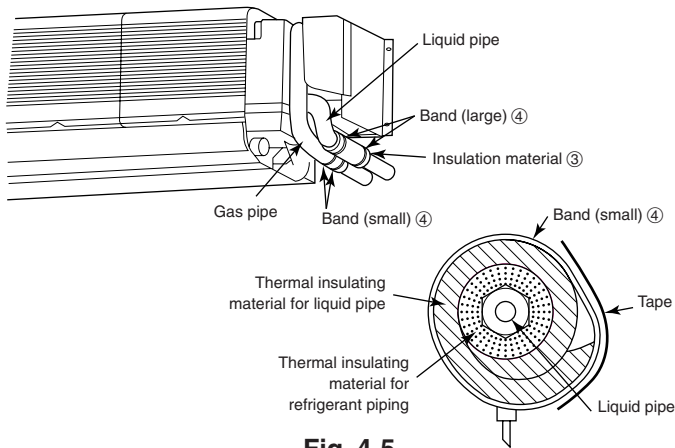


Fig. 4-5

### 4.3. Positioning refrigerant and drain piping

- ① Position of refrigerant and drain piping (Fig. 4-2)
- ② Determine the position of the knockout holes on the unit body (Fig. 4-3)
  - Make the knockout holes using a saw blade or an adequate knife.

#### ⚠ Caution:

The side panel must be removed before drilling a knockout hole in it. If a hole is made with the side panel in place, the refrigerant pipe within the unit could be damaged.

- ③ L-shaped connection pipe (for gas piping) (Fig. 4-4)

- |  |                                     |
|--|-------------------------------------|
| Ⓐ 107 mm, 4-7/32 inch (A24, A30),<br>102 mm, 4-1/32 inch (A36) | Ⓔ For left-side piping              |
| Ⓑ Drain hose   | Ⓕ For lower-side piping             |
| Ⓒ Liquid pipe  | Ⓖ For right-side piping             |
| Ⓓ Gas pipe   | Ⓙ L-shaped connection pipe (option) |
| Ⓔ Drain hose in left-side piping                               | Ⓚ Unit side                         |
| Ⓕ Knockout holes on the unit body                              | Ⓛ On-site piping side               |
|  | Ⓜ Piping                            |

### 4.4. Insulating pipes (Fig. 4-5)

Refer to the Fig. 4-5 for insulating.

## 5. Drainage piping work (Fig. 5-1)

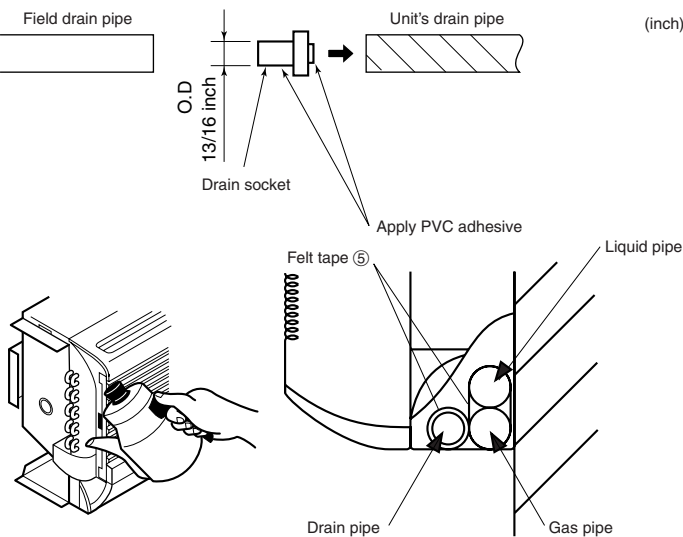


Fig. 5-1

- Use a PVC pipe (I.D.  $\phi$ 20mm, 13/16 inch) for drain piping and provide 1/100 or more downward slope.
- Other PVC pipe sizes are available with the drain adaptor supplied.
- Drain pipes can be cut with a knife at the connection point according to the on-site conditions.
- When connecting a PVC pipe, use adhesive to attach the supplied drain socket.
- To prevent dripping condensation, put felt tape ⑤ over the insulation materials on the drain pipe.

#### ⚠ Caution:

The drain pipe should be installed according to this Installation Manual to ensure correct drainage. Thermal insulation of the drain pipes is necessary to prevent condensation. If the drain pipes are not properly installed and insulated, condensation may drip on the ceiling, floor or other possessions.

## 6. Electrical work

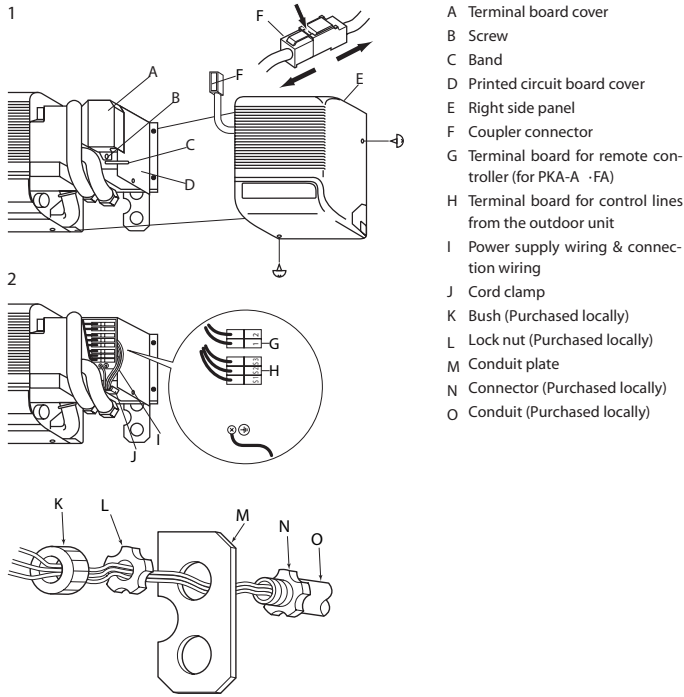


Fig. 6-1

### 6.1. Indoor unit (Fig. 6-1)

1 Remove the right side panel.

To do this, remove the screws on the lower and right sides.

Remove the securing screw on the terminal board cover to take away the cover.

2 Connect the power, control line. (3 x 2.5 mm<sup>2</sup> 2 pole).

5 This cables shall not lighter than polychloroprene sheathed flexible cord. (design 245 IEC 57)

5 Fix power source wiring to control box using buffer bushing for tensile force. (PG connection or the like.)

• Since the electric box may need to be pulled out for servicing or other occasions, wires must have enough slack.

• Class 3 grounding work must be conducted (grounding wire size: 2.5 mm<sup>2</sup> or more). After wiring is completed, reinstall the parts in the reverse order of removal.

**Warning:**

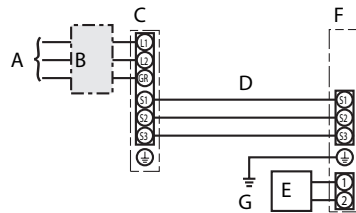
Wiring should be done so that the power lines are not subject to tension. Otherwise, heat may be generated or fire may occur.

#### 6.1.1. Indoor unit power supplied from outdoor unit (A-control application)

The following connection patterns are available.

The outdoor unit power supply patterns vary on models.

#### 1:1 System



- A Outdoor unit power supply
- B Wiring circuit breaker or isolating switch
- C Outdoor unit
- D Indoor unit/outdoor unit connecting cords
- E Remote controller (Only for PKA-A·FA)
- F Indoor unit
- G Indoor unit earth

\* Affix a label A that is included with the manuals near each wiring diagram for the indoor and outdoor units.

Indoor unit model		PKA	
Indoor unit power supply		-	
Minimum circuit ampacity		1A	
Maximum rating of overcurrent protective device		15A	
Wiring Wire No. x size	Indoor unit power supply	-	
	Indoor unit power supply earth	-	
	Indoor unit-Outdoor unit	*1	3 x AWG14 (polar)
	Indoor unit earth		1 x Min. AWG14
Circuit rating	Remote controller-Indoor unit	*2	2 x AWG22 (Non-polar)
	Indoor unit-Outdoor unit S1-S2	*3	AC 208/230 V
	Indoor unit-Outdoor unit S2-S3	*3	DC24 V
	Remote controller-Indoor unit	*3	DC12 V

\*1. Max. 50 m, 165 ft

\*2. The 10 m, 30 ft wire is attached in the remote controller accessory. Max. 500 m, 1500 ft <Only for PKA-AFA>

\*3. The figures are NOT always against the ground.

S3 terminal has DC 24 V against S2 terminal. However between S3 and S1, these terminals are not electrically insulated by the transformer or other device.

- Notes:
1. Wiring size must comply with the applicable local and national code.
  2. Use copper supply wires.
  3. Use wires rated 300V or more for the power supply cables and the indoor unit/outdoor unit connecting cables.
  4. Install an earth longer than other cables.

## 6. Electrical work

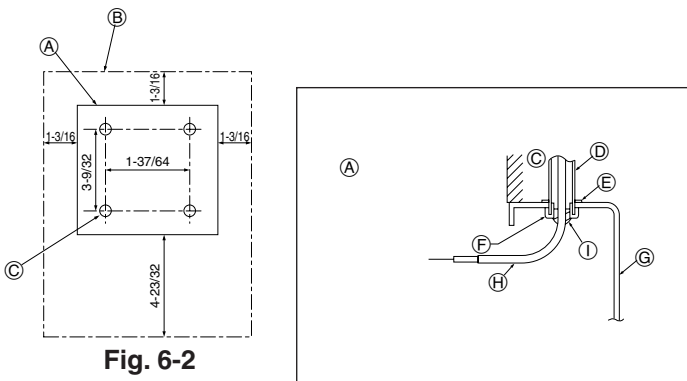


Fig. 6-2

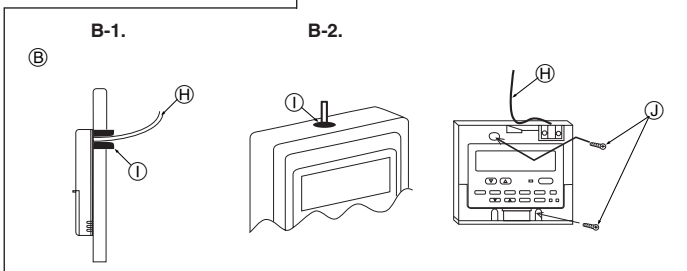


Fig. 6-3

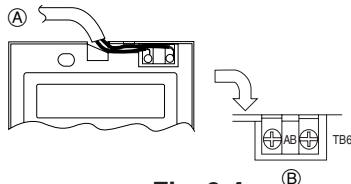


Fig. 6-4

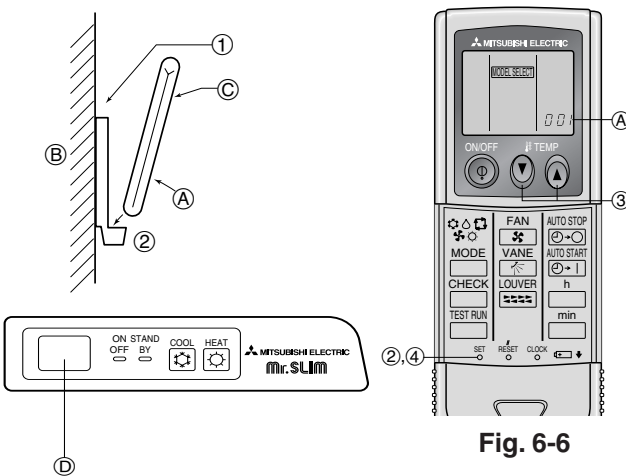


Fig. 6-5

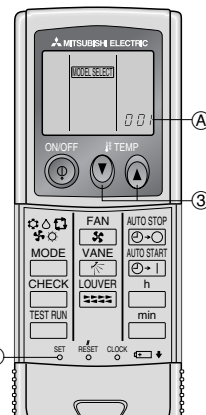


Fig. 6-6

### 6.2. Remote controller

#### 6.2.1. For wired remote controller

##### 1) Installing procedures

(1) Select an installing position for the remote controller. (Fig. 6-2)

The temperature sensors are located on both remote controller and indoor unit.

##### ► Procure the following parts locally:

Two piece switch box

Thin copper conduit tube

Lock nuts and bushings

① Remote controller profile

② Required clearances surrounding the remote controller

③ Installation pitch

(2) Seal the service entrance for the remote controller cord with putty to prevent possible invasion of dew drops, water, cockroaches or worms. (Fig. 6-3)

① For installation in the switch box:

② For direct installation on the wall select one of the following:

- Prepare a hole through the wall to pass the remote controller cord (in order to run the remote controller cord from the back), then seal the hole with putty.

- Run the remote controller cord through the cut-out upper case, then seal the cut-out notch with putty similarly as above.

##### B-1. To lead the remote controller cord from the back of the controller:

##### B-2. To run the remote controller cord through the upper portion:

(3) For direct installation on the wall

① Wall

② Conduit

③ Lock nut

④ Bushing

⑤ Switch box

⑥ Remote controller cord

⑦ Seal with putty

⑧ Wood screw

##### 2) Connecting procedures (Fig. 6-4)

① Connect the remote controller cord to the terminal block.

② A To TB5 on the indoor unit

③ TB6 (No polarity)

##### 3) Two remote controllers setting

If two remote controllers are connected, set one to "Main" and the other to "Sub". For setting procedures, refer to "Function selection of remote controller" in the operation manual for the indoor unit.

#### 6.2.2. For wireless remote controller

##### 1) Installation area

- Area in which the remote controller is not exposed to direct sunshine.
- Area in which there is no nearby heating source.
- Area in which the remote controller is not exposed to cold (or hot) winds.
- Area in which the remote controller can be operated easily.
- Area in which the remote controller is beyond the reach of children.

##### 2) Installation method (Fig. 6-5)

① Attach the remote controller holder to the desired location using two tapping screws.

② Place the lower end of the controller into the holder.

① Remote controller

② Wall

③ Display panel

④ Receiver

- The signal can travel up to approximately 7 meters, 23 ft (in a straight line) within 45 degrees to both right and left of the center line of the receiver.

##### 3) Setting (Fig. 6-6)

① Insert batteries.

② Press the SET button with something sharp at the end.

**MODEL SELECT** blinks and Model No. is lighted.

③ Press the temp  $\uparrow$   $\downarrow$  button to set the Model No.

④ Press the SET button with something sharp at the end.

**MODEL SELECT** and Model No. are lighted for three seconds, then turned off.

Indoor	Outdoor	① Model No.
PLA, PCA, PKA (A12, A18)	heat pump models	001
	cooling only models	033
PKA (A24, A30, A36)	heat pump models	003
	cooling only models	035



## 6. Electrical work

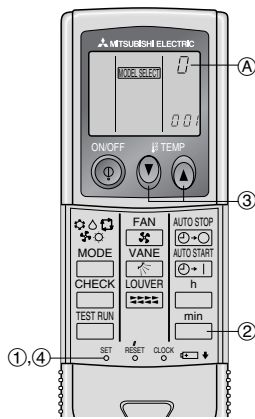


Fig. 6-7

### 4) Assigning a remote controller to each unit (Fig. 6-7)

Each unit can be operated only by the assigned remote controller. Make sure each pair of an indoor unit PC board and a remote controller is assigned to the same pair No.

### 5) Wireless remote controller pair number setting operation

- ① Press the SET button with something sharp at the end. Start this operation from the status of remote controller display turned off. **MODE SELECT** blinks and Model No. is lighted.
- ② Press the  $\text{min}$  button twice continuously. Pair No. "0" blinks.
- ③ Press the temp  $\text{V}$   $\text{A}$  button to set the pair number you want to set.
- ④ Press the SET button with something sharp at the end. Set pair number is lighted for three seconds then turned off.

(A) Pair No. of wireless remote controller	Indoor PC board
0	Factory setting
1	Cut J41
2	Cut J42
3-9	Cut J41, J42

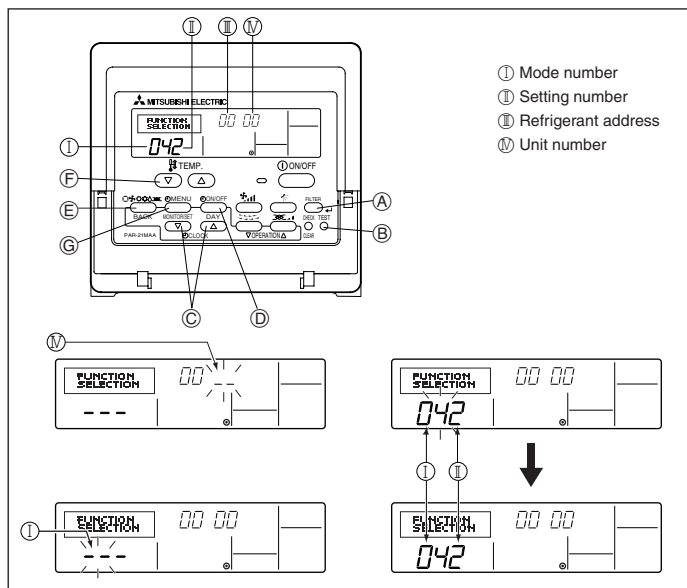


Fig. 6-8

## 6.3. Function settings

### 6.3.1 Function setting on the unit (Selecting the unit functions)

#### 1) For wired remote controller (Fig. 6-8)

Changing the power voltage setting

- Be sure to change the power voltage setting depending on the voltage used.

- ① Go to the function setting mode. Switch OFF the remote controller. Press the (A) and (B) buttons simultaneously and hold them for at least 2 seconds. FUNCTION will start to flash.
- ② Use the (C) button to set the refrigerant address (III) to 00.
- ③ Press (D) and [-] will start to flash in the unit number (IV) display.
- ④ Use the (C) button to set the unit number (IV) to 00.
- ⑤ Press the (E) MODE button to designate the refrigerant address/unit number. [-] will flash in the mode number (I) display momentarily.
- ⑥ Press the (F) buttons to set the mode number (I) to 04.
- ⑦ Press the (G) button and the current set setting number (II) will flash. Use the (F) button to switch the setting number in response to the power supply voltage to be used.  
Power supply voltage  
230 V : setting number = 1  
208 V : setting number = 2
- ⑧ Press the MODE button (E) and mode and the setting number (I) and (II) will change to being on constantly and the contents of the setting can be confirmed.
- ⑨ Press the FILTER (A) and TEST RUN (B) buttons simultaneously for at least two seconds. The function selection screen will disappear momentarily and the air conditioner OFF display will appear.

#### 2) For wireless remote controller (Fig. 6-9)

Changing the power voltage setting

- Be sure to change the power voltage setting depending on the voltage used.

- ① Go to the function select mode. Press the  $\text{CHECK}$  button (F) twice continuously. (Start this operation from the status of remote controller display turned off.) **CHECK** is lighted and "00" blinks. Press the temp  $\text{V}$  button (C) once to set "50". Direct the wireless remote controller toward the receiver of the indoor unit and press the  $\text{h}$  button (A).
- ② Setting the unit number. Press the temp  $\text{V}$   $\text{A}$  button (C) and (D) to set the unit number "00". Direct the wireless remote controller toward the receiver of the indoor unit and press the  $\text{min}$  button (B).
- ③ Selecting a mode. Enter 04 to change the power voltage setting using the  $\text{V}$  (C) and  $\text{A}$  (D) buttons. Direct the wireless remote controller toward the receiver of the indoor unit and press the  $\text{h}$  button (A).  
Current setting number: 1 = 1 beep (one second)  
2 = 2 beeps (one second each)  
3 = 3 beeps (one second each)
- ④ Selecting the setting number. Use the  $\text{V}$  (C) and  $\text{A}$  (D) buttons to change the power voltage setting to 01 (240 V). Direct the wireless remote controller toward the sensor of the indoor unit and press the  $\text{h}$  button (A).
- ⑤ To select multiple functions continuously. Repeat steps ③ and ④ to change multiple function settings continuously.
- ⑥ Complete function selection. Direct the wireless remote controller toward the sensor of the indoor unit and press the  $\text{V}$  button (E).

**Note:**

Whenever changes are made to the function settings after installation or maintenance, be sure to record the changes with a mark in the "Setting" column of the Function table.

### 6.3.2 Function setting on the remote controller

Refer to the indoor unit operation manual.

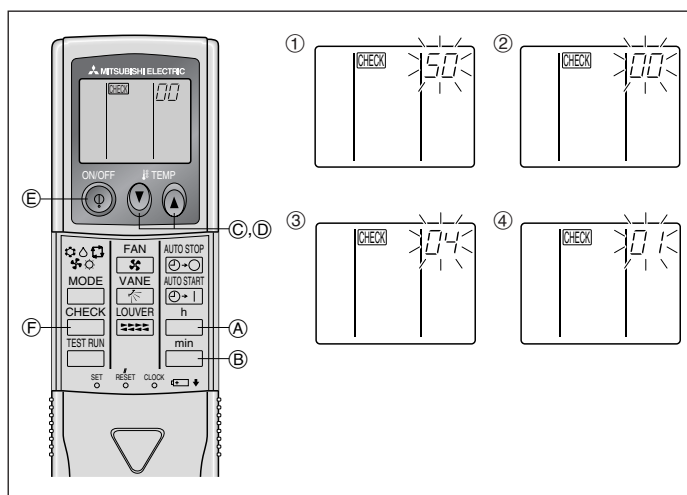


Fig. 6-9

## 6. Electrical work

### Function table

Select unit number 00

Mode	Settings	Mode no.	Setting no.	Initial setting	setting
Power failure automatic recovery	Not available	01	1		
	Available *1		2	○	
Indoor temperature detecting	Indoor unit operating average	02	1	○	
	Set by indoor unit's remote controller		2		
	Remote controller's internal sensor		3		
LOSSNAY connectivity	Not Supported	03	1	○	
	Supported (indoor unit is not equipped with outdoor-air intake)		2		
	Supported (indoor unit is equipped with outdoor-air intake)		3		
Power voltage	230 V	04	1	○	
	208 V		2		
Auto mode (only for PUHZ)	Energy saving cycle automatically enabled	05	1	○	
	Energy saving cycle automatically disabled		2		

Select unit numbers 01 to 03 or all units (AL [wired remote controller]/07 [wireless remote controller])

Mode	Settings	Mode no.	Setting no.	Initial setting	setting
Filter sign	100Hr	07	1	○	
	2500Hr		2		
	No filter sign indicator		3		
Fan speed	Standard (PLA)/Silent (PCA)	08	1	-	
	High ceiling ① (PLA)/Standard (PCA)		2	-	
	High ceiling ② (PLA)/High ceiling (PCA)		3	-	
No. of air outlets	4 directions	09	1	-	
	3 directions		2	-	
	2 directions		3	-	
Installed options (high-performance filter)	Not supported	10	1	-	
	Supported		2	-	
Up/down vane setting	No vanes	11	1	-	
	Equipped with vanes (vanes angle setup ①)		2	-	
	Equipped with vanes (vanes angle setup ②)		3	-	
Energy saving air flow (Heating mode)	Disabled	12	1	-	
	Enabled		2	-	

\*1 When the power supply returns, the air conditioner will start 3 minutes later.

## 7. Test run

### 7.1. Before test run

- ▶ After completing installation and the wiring and piping of the indoor and outdoor units, check for refrigerant leakage, looseness in the power supply or control wiring, wrong polarity, and no disconnection of one phase in the supply.
- ▶ Use a 500-volt megohmmeter to check that the resistance between the power supply terminals and ground is at least 1.0 MΩ.

- ▶ Do not carry out this test on the control wiring (low voltage circuit) terminals.

⚠ Warning:

Do not use the air conditioner if the insulation resistance is less than 1.0 MΩ.  
Insulation resistance

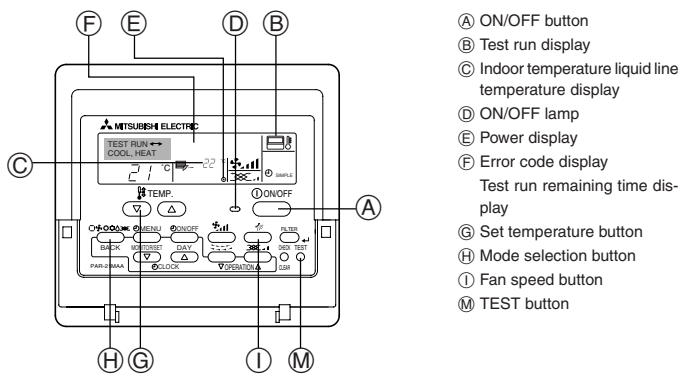


Fig. 7-1

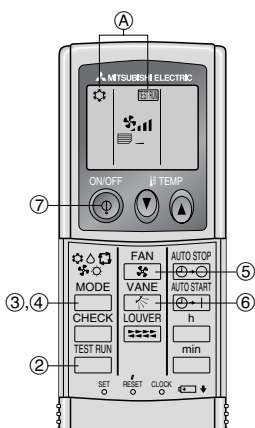


Fig. 7-2

### 7.2. Test run

The following 3 methods are available.

#### 7.2.1. Using wired remote controller (Fig. 7-1)

- Turn on the power at least 12 hours before the test run.
- Press the [TEST] button twice. ⇒ "TEST RUN" liquid crystal display
- Press the [Mode selection] button. ⇒ Make sure that wind is blown out.
- Press the [Mode selection] button and switch to the cooling (or heating) mode. ⇒ Make sure that cold (or warm) wind is blown out.
- Press the [Fan speed] button. ⇒ Make sure that the wind speed is switched.
- Check operation of the outdoor unit fan.
- Release test run by pressing the [ON/OFF] button. ⇒ Stop
- Register a telephone number.

The telephone number of the repair shop, sales office, etc., to contact if an error occurs can be registered in the remote controller. The telephone number will be displayed when an error occurs. For registration procedures, refer to the operation manual for the indoor unit.

#### 7.2.2. Using wireless remote controller (Fig. 7-2)

- Turn on the power to the unit at least 12 hours before the test run.
- Press the button twice continuously.  
(Start this operation from the status of remote controller display turned off.)  
A and current operation mode are displayed.
- Press the button to activate COOL mode, then check whether cool air is blown out from the unit.
- Press the button to activate HEAT mode, then check whether warm air is blown out from the unit.
- Press the button and check whether fan speed changes.
- Press the button and check whether the auto vane operates properly.
- Press the ON/OFF button to stop the test run.

Note:

- Point the remote controller towards the indoor unit receiver while following steps ② to ⑦.
- It is not possible to run the in FAN, DRY or AUTO mode.

## 7. Test run

### 7.2.3. Using SW4 in outdoor unit

Refer to the outdoor unit installation manual.

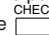
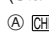
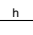
## 7.3. Self-check

### 7.3.1. Wired remote controller (Fig. 7-3)

- ① Turn on the power.
- ② Press the [CHECK] button twice.
- ③ Set refrigerant address with [TEMP] button if system control is used.
- ④ Press the [ON/OFF] button to stop the self-check.

- Ⓐ CHECK button
- Ⓑ Refrigerant address
- Ⓒ TEMP. button
- Ⓓ IC: Indoor unit  
OC: Outdoor unit
- Ⓔ Check code
- Ⓕ Unit address

### 7.3.2. Wireless remote controller (Fig. 7-4)

- ① Turn on the power.
- ② Press the  button twice.  
(Start this operation from the status of remote controller display turned off.)
- Ⓐ  begins to light.
- Ⓑ "00" begins to blink.
- ③ While pointing the remote controller toward the unit's receiver, press the  button. The check code will be indicated by the number of times that the buzzer sounds from the receiver section and the number of blinks of the operation lamp.
- ④ Press the ON/OFF button to stop the self-check.

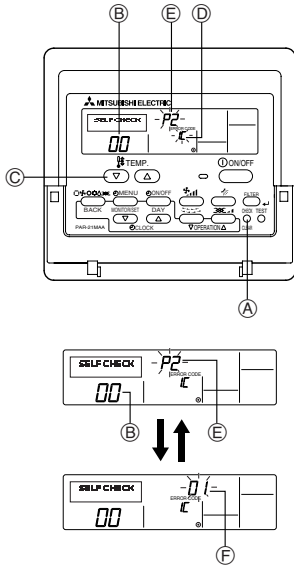


Fig. 7-3

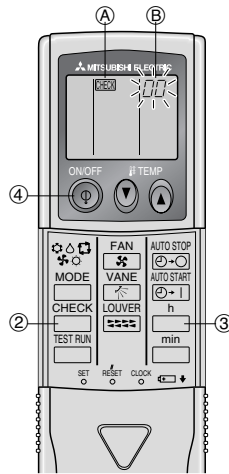
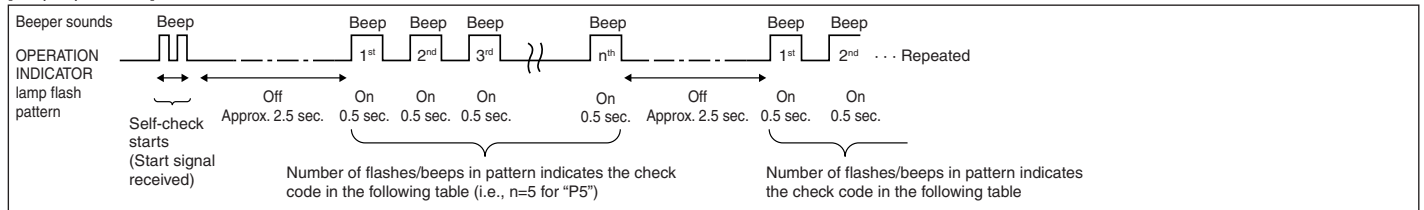


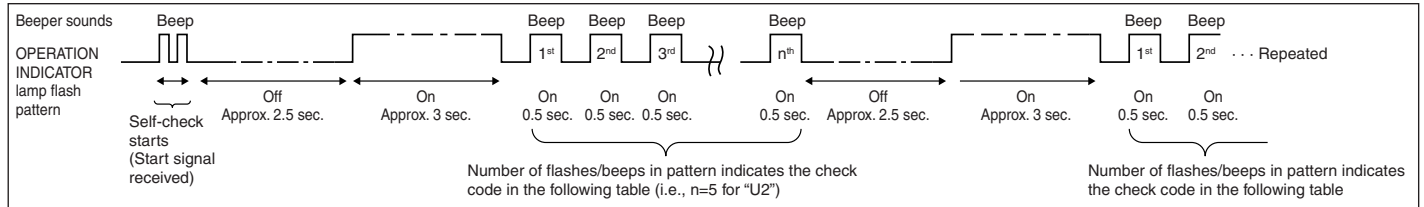
Fig. 7-4

- Refer to the following tables for details on the check codes. (Wireless remote controller)

#### [Output pattern A]



#### [Output pattern B]



#### [Output pattern A] Errors detected by indoor unit

Wireless remote controller Beeper sounds/OPERATION INDICATOR lamp flashes (Number of times)	Wired remote controller Check code	Symptom	Remark
1	P1	Intake sensor error	
2	P2, P9	Pipe (Liquid or 2-phase pipe) sensor error	
3	E6, E7	Indoor/outdoor unit communication error	
4	P4	Drain sensor error	
5	P5	Drain pump error	
6	P6	Freezing/Overheating safeguard operation	
7	EE	Communication error between indoor and outdoor units	
8	P8	Pipe temperature error	
9	E4	Remote controller signal receiving error	
10	—	—	
11	—	—	
12	Fb	Indoor unit control system error (memory error, etc.)	
No sound	----	No corresponding	

## 7. Test run

[Output pattern B] Errors detected by unit other than indoor unit (outdoor unit, etc.)

Wireless remote controller	Wired remote controller	Symptom	Remark
Beeper sounds/OPERATION INDICATOR lamp flashes (Number of times)	Check code		
1	E9	Indoor/outdoor unit communication error (Transmitting error) (Outdoor unit)	For details, check the LED display of the outdoor controller board.
2	UP	Compressor overcurrent interruption	
3	U3, U4	Open/short of outdoor unit thermistors	
4	UF	Compressor overcurrent interruption (When compressor locked)	
5	U2	Abnormal high discharging temperature/49C worked/insufficient refrigerant	
6	U1, Ud	Abnormal high pressure (63H worked)/Overheating safeguard operation	
7	U5	Abnormal temperature of heat sink	
8	U8	Outdoor unit fan safeguard stop	
9	U6	Compressor overcurrent interruption/Abnormal of power module	
10	U7	Abnormality of super heat due to low discharge temperature	
11	U9, UH	Abnormality such as overvoltage or voltage shortage and abnormal synchronous signal to main circuit/Current sensor error	
12	–	–	
13	–	–	
14	Others	Other errors (Refer to the technical manual for the outdoor unit.)	

\*1 If the beeper does not sound again after the initial two beeps to confirm the self-check start signal was received and the OPERATION INDICATOR lamp does not come on, there are no error records.

\*2 If the beeper sounds three times continuously "beep, beep, beep (0.4 + 0.4 + 0.4 sec.)" after the initial two beeps to confirm the self-check start signal was received, the specified refrigerant address is incorrect.

- On wireless remote controller  
The continuous buzzer sounds from receiving section of indoor unit.  
Blink of operation lamp
- On wired remote controller  
Check code displayed in the LCD.
- If the unit cannot be operated properly after the above test run has been performed, refer to the following table to remove the cause.

Symptom		Cause	
Wireless remote controller	Wired remote controller	LED 1, 2 (PCB in outdoor unit)	
PLEASE WAIT	For about 2 minutes following power-on	After LED 1, 2 are lighted, LED 2 is turned off, then only LED 1 is lighted. (Correct operation)	• For about 2 minutes following power-on, operation of the remote controller is not possible due to system start-up. (Correct operation)
PLEASE WAIT → Error code	After about 2 minutes has expired following power-on	Only LED 1 is lighted. → LED 1, 2 blink.	• Connector for the outdoor unit's protection device is not connected. • Reverse or open phase wiring for the outdoor unit's power terminal block (L1, L2, GR)
Display messages do not appear even when operation switch is turned ON (operation lamp does not light up).		Only LED 1 is lighted. → LED 1 blinks twice, LED 2 blinks once.	• Incorrect wiring between indoor and outdoor units (incorrect polarity of S1, S2, S3) • Remote controller wire short

On the wireless remote controller with condition above, following phenomena takes place.

- No signals from the remote controller are accepted.
- OPE lamp is blinking.
- The buzzer makes a short pipng sound.

### Note:

**Operation is not possible for about 30 seconds after cancellation of function selection. (Correct operation)**

For description of each LED (LED 1, 2, 3) provided on the indoor controller, refer to the following table.

LED 1 (power for microcomputer)	Indicates whether control power is supplied. Make sure that this LED is always lit.
LED 2 (power for remote controller)	Indicates whether power is supplied to the remote controller. This LED lights only in the case of the indoor unit which is connected to the outdoor unit refrigerant address "0".
LED 3 (communication between indoor and outdoor units only A-control)	Indicates state of communication between the indoor and outdoor units. Make sure that this LED is always blinking.



---

This product is designed and intended for use in the residential,  
commercial and light-industrial environment.

Please be sure to put the contact address/telephone number on  
this manual before handing it to the customer.