

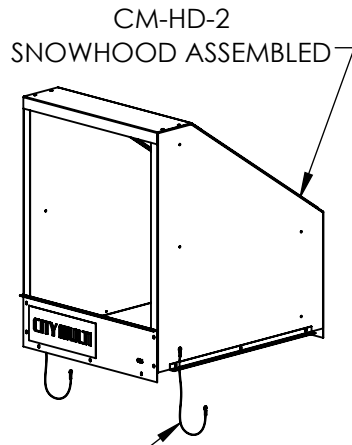
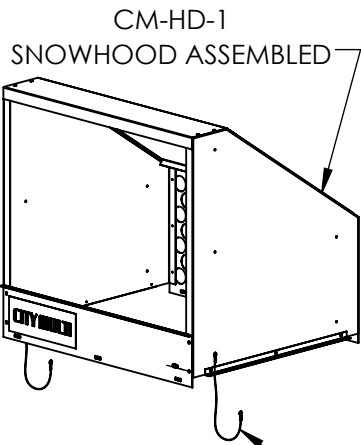
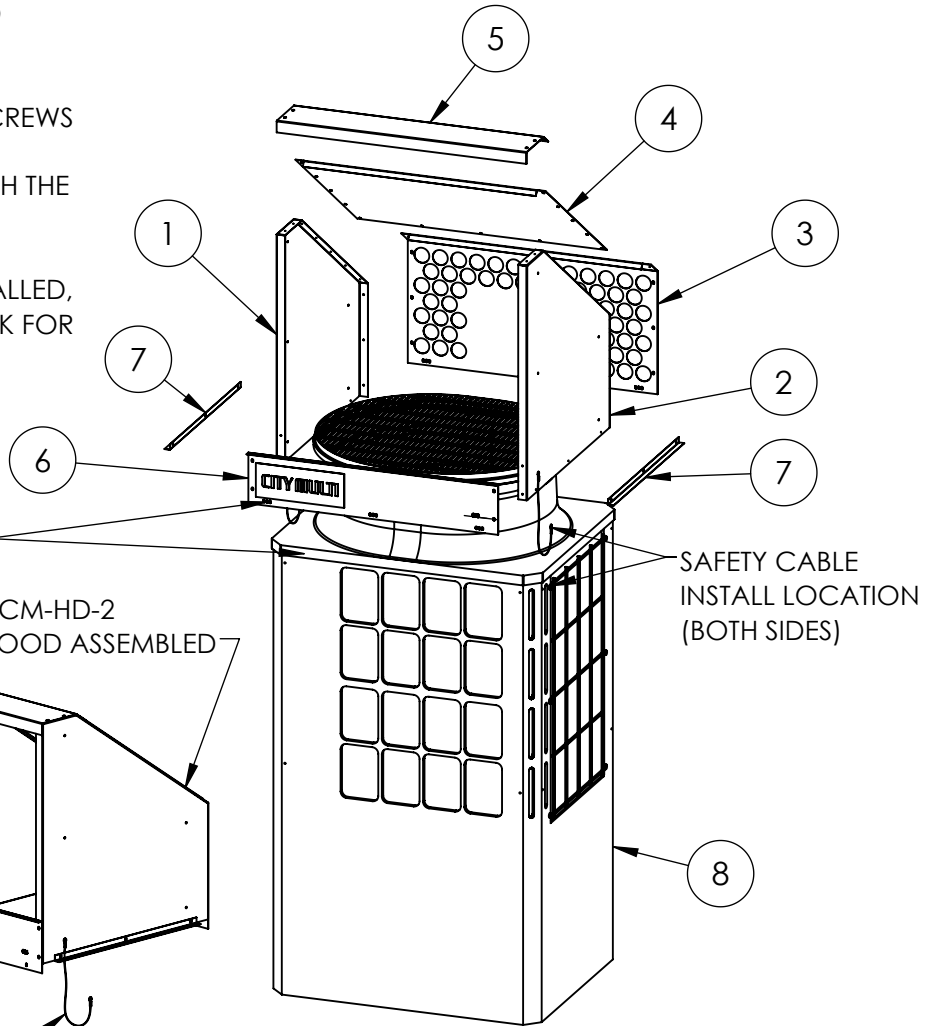


PUHY/PURY-TNU Series Snowhood Assemble Instructions

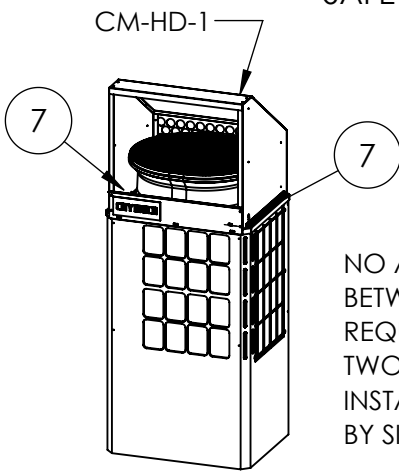
Assemble Order: **SNOWHOOD** 1---2---3---4---5---6---7 → **UNIT** ---8

1. ASSEMBLE HOOD ON THE GROUND LEAVING ⑥ BOTTOM FRONT OFF.
2. LIFT HOOD UP SLIDING OVER FAN. SECURE THE REAR WITH 3 OF THE SCREWS REMOVED.
3. INSTALL THE ⑥ BOTTOM FRONT WITH THE 3 REMAINING SCREWS THAT WERE REMOVED AND FASTEN.
4. ONCE ALL SNOWHOODS ARE INSTALLED, MAKE SURE TO INSPECT AND CHECK FOR ANY LOOSE CONNECTIONS.

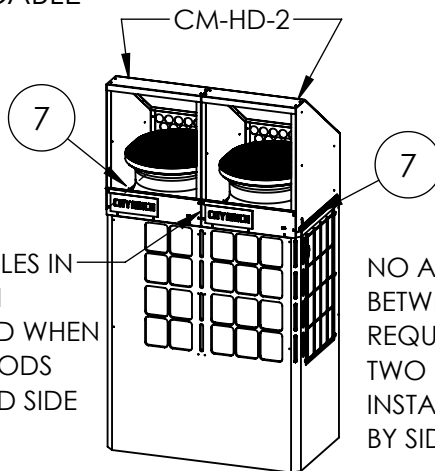
REMOVE (6) SCREWS FROM THE UNIT (FRONT & BACK) TO BE REINSTALLED TO ATTACH SNOWHOOD TO THE UNIT



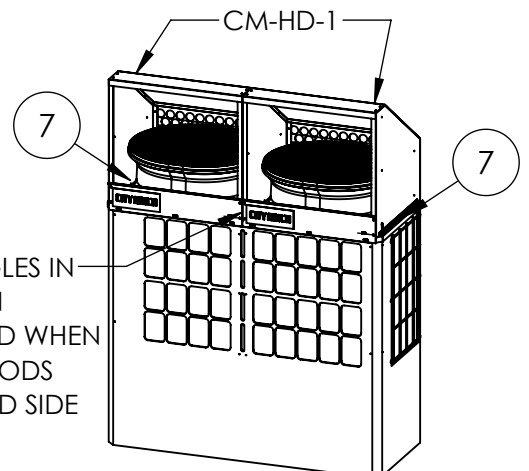
SAFETY CABLE



MODEL (S)



MODEL (L)



MODEL (XL)

NO ANGLES IN BETWEEN REQUIRED WHEN TWO HOODS INSTALLED SIDE BY SIDE

NO ANGLES IN BETWEEN REQUIRED WHEN TWO HOODS INSTALLED SIDE BY SIDE