

How to Install & How To Use

Optional Parts for a Package Air Conditioner Snow Guard Installation Instructions

ALWAYS KEEP SAFETY IN MIND

- Read this section carefully [always keep safety in mind] and securely install the optional parts.
- Make sure to follow the precautions outlined below: They contain critical safety content.
- The classifications for danger and possible consequences of incorrect handling are shown in the following indications.

WARNING: IMPROPER HANDLING MAY CAUSE DEATH OR SERIOUS INJURY.

CAUTION: INJURY OR DAMAGE TO HOUSE AND HOUSEHOLD ARTICLES MAY RESULT FROM IMPROPER HANDLING.

***NOTE:** After installation, run a test run to ensure that there are no anomalies, and ask your customer to always keep this installation sheet with the instruction manual. In addition, if the end user changes, request that these manuals be transferred to the new user.*

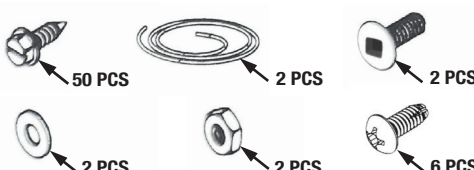

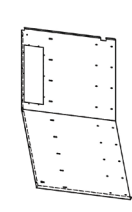

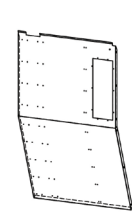
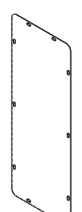
WARNING 	<p>INQUIRE WITH THE DEALER OR SPECIALIST ABOUT INSTALLATION</p> <ul style="list-style-type: none"> ▪ Water leaks, electric shocks, fires, and other hazards may occur if the user installs the product incorrectly. <p>CAREFULLY INSTALL THE PANELS IN ACCORDANCE WITH THIS INSTALLATION SHEET</p> <ul style="list-style-type: none"> ▪ Incorrect installation could result in a water leak, electric shock, or fire, among other things.
*** Prior to installation (moving) and electrical work ***	
CAUTION 	<p>POLYETHYLENE BAGS SHOULD NOT BE LEFT IN THE REACH OF CHILDREN</p> <ul style="list-style-type: none"> ▪ Putting a polyethylene bag over one's head will close off your breathing pathways, potentially resulting in suffocation. <p>TO AVOID CONDENSATION, SECURELY APPLY HEAT INSULATION TO PIPING</p> <ul style="list-style-type: none"> ▪ Condensation on the surface of pipes, as well as dewdrops on the ceiling, floor, or valuables, might develop if heat insulation is insufficient. <p>USE ONLY SPECIFIED ELECTRIC WIRES WITH CURRENT CAPACITY IF ELECTRICAL WORK IS REQUIRED.</p> <ul style="list-style-type: none"> ▪ Unsuitable wire may cause an electric leak, overheating, or fire. <p>SECURELY COMPLETE DRAIN PIPING WORK IN ACCORDANCE WITH THE INSTALLATION MANUAL TO AVOID CONDENSATION.</p> <ul style="list-style-type: none"> ▪ If the piping work is incorrect, a water leak may occur, causing the ceiling, furniture, and other items to become wet.

When installing this product, pay special attention to the following:

- 1) Install this unit with the back surface facing the wall side to eliminate the effects of external winds.
- 2) This unit should not be installed in such a way that the wind blows directly at the back of the unit.
- 3) The installation of this product will reduce the unit's capacity by approximately 2% - 3% and increase the outdoor unit's noise level by approximately 1dB - 2dB.
- 4) Use this product only if there is no obstruction on either side or above / below the outdoor unit (discharge air will be blocked). This could result in a short cycle.

Parts Check:

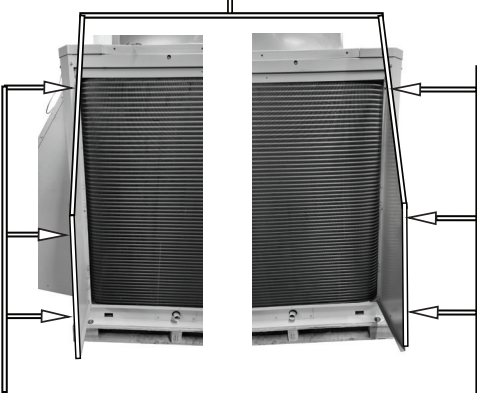
Note: Check that the following items, along with this manual, are in this box:

Installation Hardware	1 x RE LHS Panel	1 x RE LHS Front Panel	1 x RE RHS Panel	1 x RE RHS Front Panel	2 x RE Access Door
 <p>50 PCS 2 PCS 2 PCS 2 PCS 2 PCS 6 PCS</p> <p>50 x # 8 X 1/2" HWH SELF TAPPING SCREWS (ZINC) 2 x Lanyard 16" (STAINLESS STEEL) 2 x #10-24 X 1/2" PAN COMB MACHINE SCREWS (ZINC) 2 x #10-24 HEX NUTS (ZINC) 2 x #10 WASHERS (ZINC) 6 x #10-24 1/2" TRUSS HEAD TYPE 'F' SCREWS (STAINLESS)</p>					

CM-RE-2-TKMU-QAHV (SNOW GUARD)

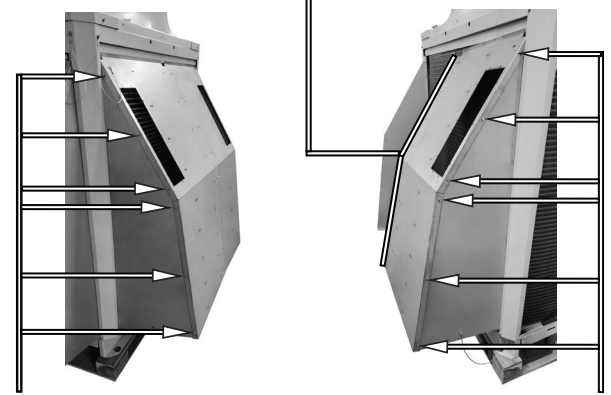
INSTALLATION PROCEDURE

C. Install the ½” Wide Anti-Vibration Foam on to the exterior edges of RE RHS Panel & RE LHS Panel as shown.



A. Install the RE RHS Panel as shown using the existing (3) SCREWS while keeping rear wire grille in place (Please Note: The RE RHS Panel is to be installed between the cabinet and rear wire grille).

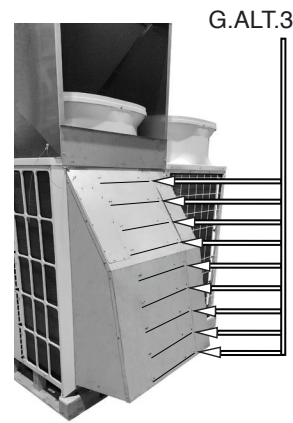
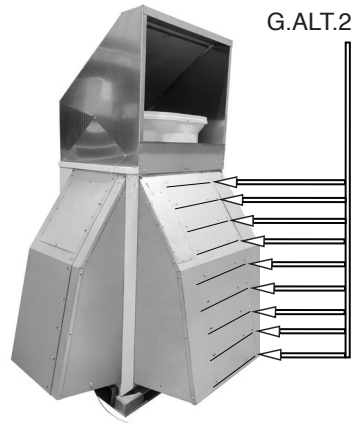
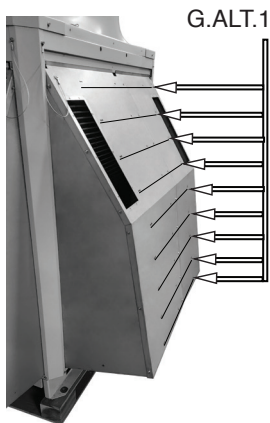
D. Install the ½” Wide Anti-Vibration Foam on to the exterior left-side edge of the RE RHS Front Panel as shown.



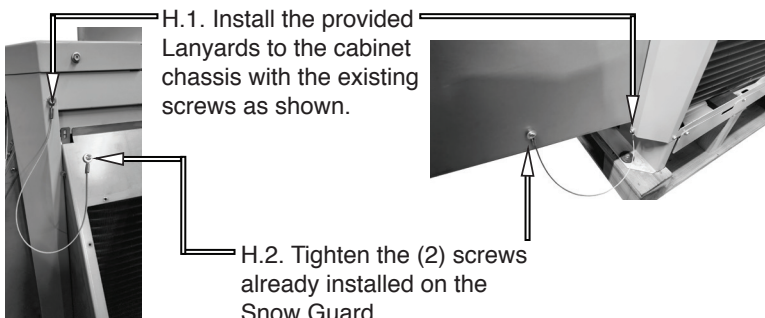
B. Install the RE LHS Panel as shown using the existing (3) SCREWS while keeping the rear wire grille in place (Please Note: The RE LHS Panel is to be installed between the cabinet and rear wire grille).

F. With the supplied #8 HWH Screws attach the RE LHS Panel to the RE LHS Front Panel using the provide holes.

E. With the supplied #8 HWH Screws attach the RE RHS Panel to the RE RHS Front using the provide holes.

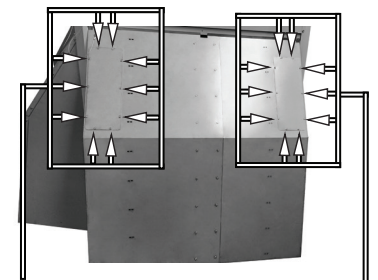


G. With the supplied #8 HWH Screws attach the RE RHS Front Panel to the RE LHS Front Panel using the provided holes. For best alignment and fitment work from Bottom to the Top when fastening the screws.



H.1. Install the provided Lanyards to the cabinet chassis with the existing screws as shown.

H.2. Tighten the (2) screws already installed on the Snow Guard.



I. Install the each of the RE Access Doors with the supplied #8 HWH Screws to the RE RHS Front Panel & RE LHS Front Panel using the provided holes.