

## How to Install & How To Use

### Optional Parts for a Package Air Conditioner Snow Hood Installation Instructions



#### ALWAYS KEEP SAFETY IN MIND

- Read this section carefully [always keep safety in mind] and securely install the optional parts.
- Make sure to follow the precautions outlined below: They contain critical safety content.
- The classifications for danger and possible consequences of incorrect handling are shown in the following indications.

 **WARNING:** IMPROPER HANDLING MAY CAUSE DEATH OR SERIOUS INJURY.

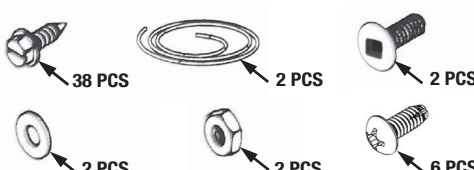
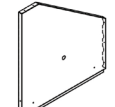
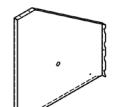
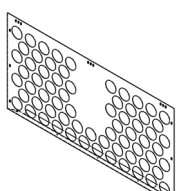
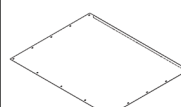
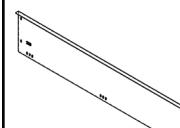
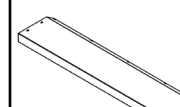
 **CAUTION:** INJURY OR DAMAGE TO HOUSE AND HOUSEHOLD ARTICLES MAY RESULT FROM IMPROPER HANDLING.

***NOTE:** After installation, run a test run to ensure that there are no anomalies, and ask your customer to always keep this installation sheet with the instruction manual. In addition, if the end user changes, request that these manuals be transferred to the new user.*

<b>WARNING</b> 	<p><b>INQUIRE WITH THE DEALER OR SPECIALIST ABOUT INSTALLATION</b></p> <ul style="list-style-type: none"> <li>▪ Water leaks, electric shocks, fires, and other hazards may occur if the user installs the product incorrectly.</li> </ul> <p><b>CAREFULLY INSTALL THE PANELS IN ACCORDANCE WITH THIS INSTALLATION SHEET</b></p> <ul style="list-style-type: none"> <li>▪ Incorrect installation could result in a water leak, electric shock, or fire, among other things.</li> </ul>
<b>*** Prior to installation (moving) and electrical work ***</b>	
<b>CAUTION</b> 	<p><b>POLYETHYLENE BAGS SHOULD NOT BE LEFT IN THE REACH OF CHILDREN</b></p> <ul style="list-style-type: none"> <li>▪ Putting a polyethylene bag over one's head will close off your breathing pathways, potentially resulting in suffocation.</li> </ul> <p><b>TO AVOID CONDENSATION, SECURELY APPLY HEAT INSULATION TO PIPING</b></p> <ul style="list-style-type: none"> <li>▪ Condensation on the surface of pipes, as well as dewdrops on the ceiling, floor, or valuables, might develop if heat insulation is insufficient.</li> </ul> <p><b>USE ONLY SPECIFIED ELECTRIC WIRES WITH CURRENT CAPACITY IF ELECTRICAL WORK IS REQUIRED.</b></p> <ul style="list-style-type: none"> <li>▪ Unsuitable wire may cause an electric leak, overheating, or fire.</li> </ul> <p><b>SECURELY COMPLETE DRAIN PIPING WORK IN ACCORDANCE WITH THE INSTALLATION MANUAL TO AVOID CONDENSATION.</b></p> <ul style="list-style-type: none"> <li>▪ If the piping work is incorrect, a water leak may occur, causing the ceiling, furniture, and other items to become wet.</li> </ul>

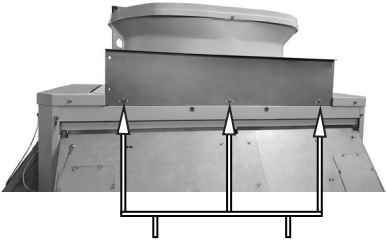
**When installing this product, pay special attention to the following:**

- 1) Install this unit with the back surface facing the wall side to eliminate the effects of external winds.
- 2) This unit should not be installed in such a way that the wind blows directly at the back of the unit.
- 3) The installation of this product will reduce the unit's capacity by approximately 2% - 3% and increase the outdoor unit's noise level by approximately 1dB - 2dB.
- 4) Use this product only if there is no obstruction on either side or above / below the outdoor unit (airflow will be blocked). This could result in a short cycle.

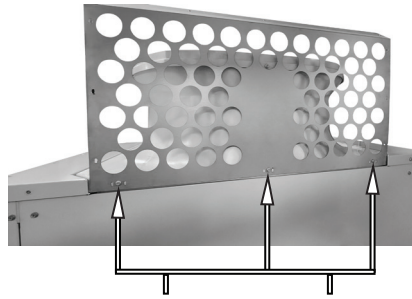
<b>Parts Check:</b> <i>Note: Check that the following items, along with this manual, are in this box:</i>					
<b>Installation Hardware</b>	<b>1 x SNW LHS Panel</b>	<b>1 x SNW LWR Back Panel</b>	<b>1 x SNW UPR Back Panel</b>	<b>1 x SNW Front Panel</b>	<b>1 x SNW Top Panel</b>
 <p>38 x # 8 X 1/2" HWH SELF TAPPING SCREWS (ZINC) 2 x Lanyard 16" (STAINLESS STEEL) 2 x #10-24 X 1/2" PAN COMB MACHINE SCREWS (ZINC) 2 x #10-24 HEX NUTS (ZINC) 2 x #10 WASHERS (ZINC) 6 x #10-24 1/2" TRUSS HEAD TYPE 'F' SCREWS (STAINLESS)</p>	  				

# CM-SNOW-TKMU-QAHV (SNOW HOOD)

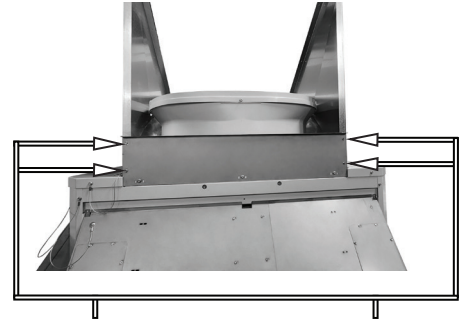
## INSTALLATION PROCEDURE



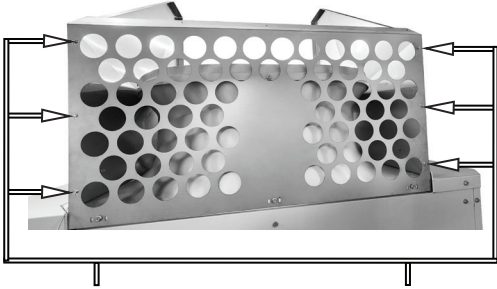
A. Install the SNW Front Panel as shown using the existing (3) SCREWS.



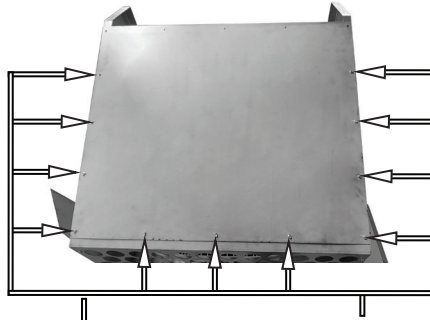
B. Install the SNW Back Panel as shown using the existing (3) SCREWS.



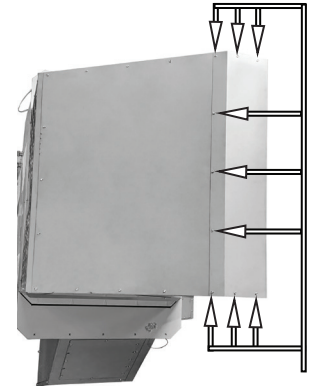
C. With the supplied # 8 HWH Screws attach the SNW Front Panel to the SNW LHS Panel & SNW RHS Panel using the provided holes.



D. With the supplied # 8 HWH Screws attach the SNW Back Panel to the SNW LHS Panel & SNW RHS Panel using the provided holes.

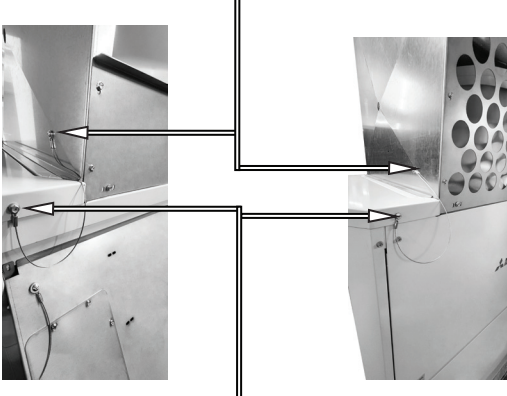


E. With the supplied # 8 HWH Screws attach the SNW UPR Back Panel to the SNW LHS Panel, SNW RHS Panel & SNW LWR Back Panel using the provided holes.

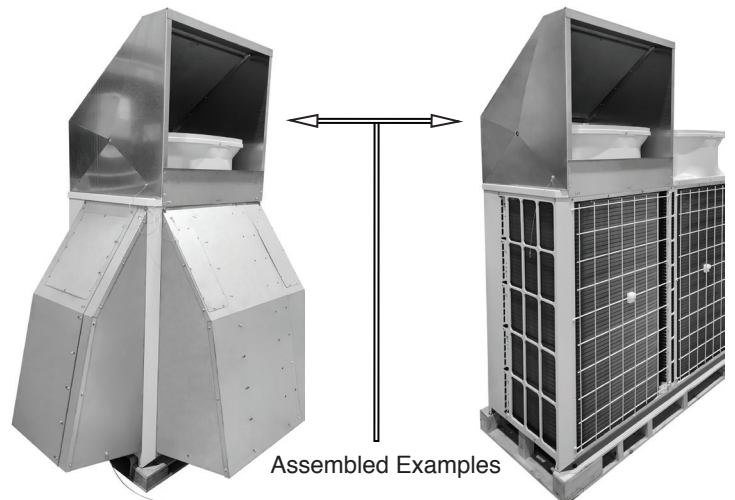


F. With the supplied # 8 HWH Screws attach the SNW Top Panel to the SNW LHS Panel, SNW RHS Panel & SNW UPR Back Panel using the provided holes.

G.2. Tighten the (2) screws already installed on the Snow Hood.



G.1. Install the provided Lanyards to the cabinet chassis with the existing screws as shown.



Assembled Examples