

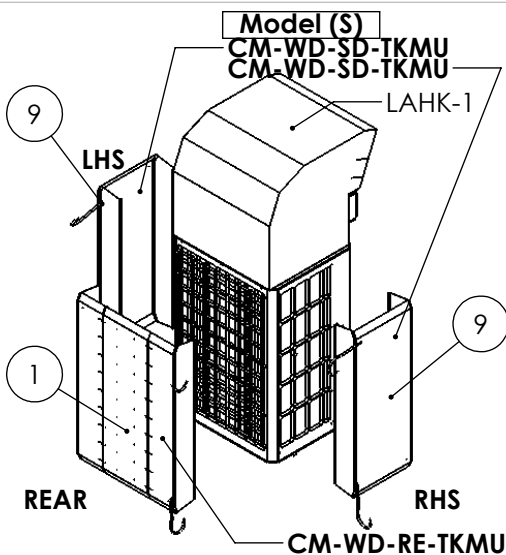
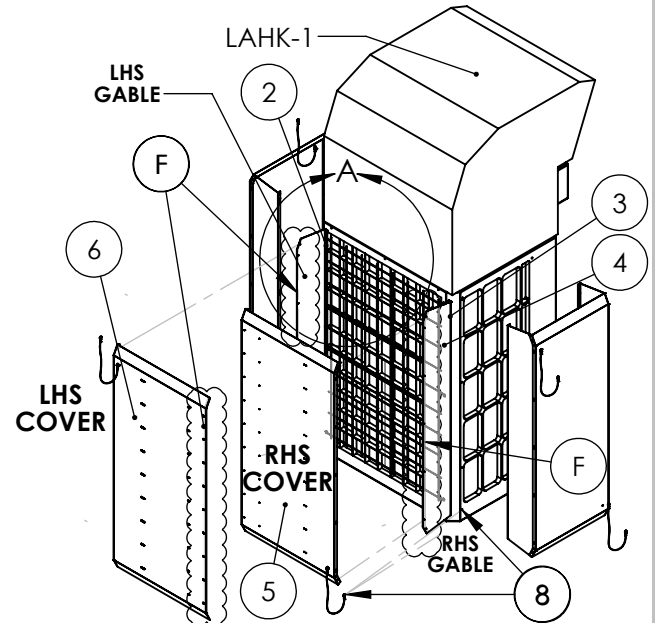
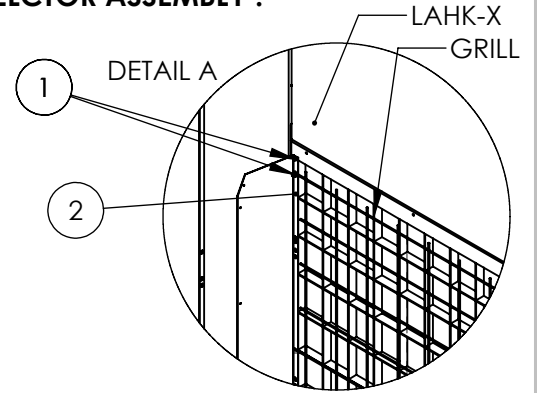


PUHY/PURY-TKMU Series - Wind Deflector Installation Instructions

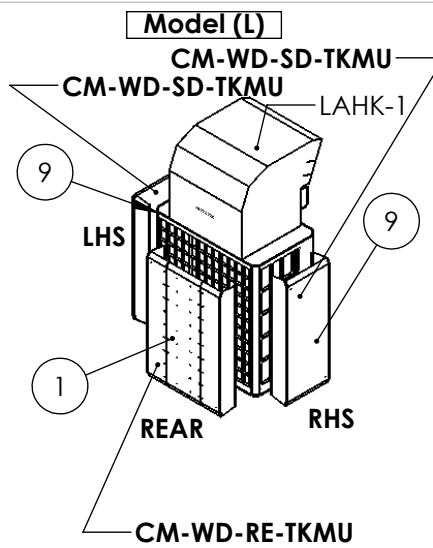
Always observe for safety and securely install the optional parts

WIND DEFLECTOR INSTALLATION PROCEDURE FOR SIDE (CM-WD-SD-TKMU) AND REAR (CM-WD-RE-TKMU) WIND DEFLECTOR ASSEMBLY :

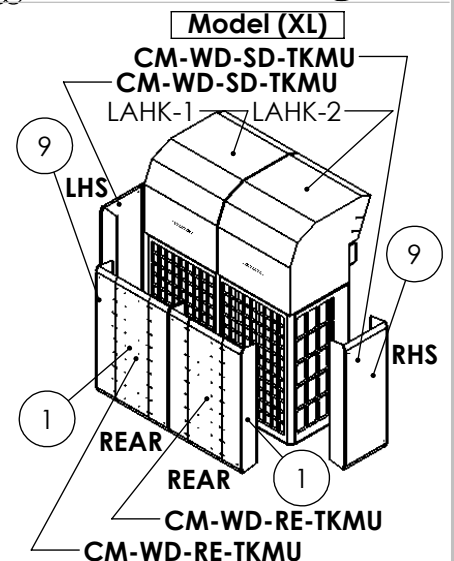
1. WHEN INSTALLING THE REAR ASSEMBLY (CM-WD-RE-TKMU), REMOVE THE 3 SCREWS HOLDING THE LEFT SIDE OF THE REAR WIRE GRILL AND TOP SCREW FIRST.
2. INSTALL LEFT HAND SIDE GABLE **UNDER** THE GRILL USING THE EXISTING SCREWS THAT YOU REMOVED IN STEP 1.
3. DO THE SAME FOR THE RIGHT HAND SIDE OF THE REAR GRILL.
4. ADD 1/2" WIDE ANTI-VIBRATION FOAM TO EXTERIOR EDGE OF GABLES AND ONTO THE INTERIOR EDGE OF LHS COVER AS PER BALLON F. ALIGN SLOTS OF RIGHT HAND REAR COVER WITH THE HOLES OF THE RIGHT HAND SIDE GABLE. INSTALL USING #8 SCREWS PROVIDED.
5. WHERE APPLICABLE (I.E. TWO PC REAR COVER) ALIGN SLOTS OF LEFT HAND REAR COVER WITH THE HOLES OF THE LEFT HAND SIDE GABLE. INSTALL USING #8 SCREWS PROVIDED.
6. ALIGN THE LH REAR COVER SLOTS WITH THE RH COVER HOLES AND INSTALL USING THE #8 SCREWS PROVIDED. INSTALL THE SCREWS FROM THE TOP DOWN TO ENSURE BEST ALIGNMENT.
7. ATTACH THE SAFETY CABLES TO THE UNIT (ALREADY ATTACHED INSIDE THE PANELS).
8. INSTALL RH AND LH SIDE WIND DEFLECTOR ASSEMBLIES USING THE TWO TOP SCREWS ON THE UNIT AND (8) #10 SELF TAPPING SCREWS PROVIDED PER ASSEMBLY. NOTE TO ADD 1/2" WIDE ANTI-VIBRATION FOAM TO EXTERIOR EDGE OF GABLES.
9. ONCE ALL WIND DEFLECTORS ARE INSTALLED, MAKE SURE TO INSPECT AND CHECK FOR ANY LOOSE CONNECTIONS.



CM-WD-SD-TKMU (LOT OF 2) - QTY 1
 CM-WD-RE-TKMU - QTY 1
 LAHK-1 - QTY 1



CM-WD-SD-TKMU (LOT OF 2) - QTY 1
 CM-WD-RE-TKMU - QTY 1
 LAHK-1 - QTY 1



CM-WD-SD-TKMU (LOT OF 2) - QTY 1
 CM-WD-RE-TKMU - QTY 2
 LAHK-1 and LAHK-2 - QTY 1 Each