



CEILING CASSETTE TYPE AIR CONDITIONERS

MLZ-KX06NL



INSTALLATION MANUAL

For INSTALLER

- This manual only describes the installation of indoor unit.
When installing the outdoor unit, refer to the installation manual of outdoor unit.

NOTICE D'INSTALLATION

POUR L'INSTALLATEUR

- Cette notice ne décrit que l'installation de l'unité interne.
Pour l'installation de l'unité externe, se reporter à la notice d'installation de l'appareil.

English

Français

CONTENTS





1. BEFORE INSTALLATION.....	1	7. CONNECTING TO THE WIRELESS INTERFACE.....	14
2. INDOOR UNIT INSTALLATION.....	6	8. CONNECTING AN INTERFACE (OPTION) TO THE AIR CONDITIONER.....	14
3. FLARING WORK AND PIPE CONNECTION.....	11	This installation manual describes only for the indoor unit. Refer to the MXZ type manual for outdoor unit set up.	
4. TEST RUN.....	13		
5. GRILLE (OPTION) INSTALLATION.....	13		
6. PUMPING DOWN.....	14		

Required Tools for Installation

Phillips screwdriver	Flare tool for R410A/R454B
Level	Gauge manifold for R410A/R454B
Scale	Vacuum pump for R410A/R454B
Utility knife or scissors	Charge hose for R410A/R454B
2-15/16 in. (75 mm) hole saw	Pipe cutter with reamer
Torque wrench	Water bottle
Wrench (or spanner)	0.9 to 1.0 L water

1. BEFORE INSTALLATION

MEANINGS OF SYMBOLS DISPLAYED ON INDOOR UNIT AND/OR OUTDOOR UNIT

	WARNING (Risk of fire)	This unit uses a flammable refrigerant. If refrigerant leaks and comes in contact with fire or heating part, it will create harmful gas and there is risk of fire.
		Read the OPERATING INSTRUCTIONS carefully before operation.
		Service personnel are required to carefully read the OPERATING INSTRUCTIONS and INSTALLATION MANUAL before operation.
		Further information is available in the OPERATING INSTRUCTIONS, INSTALLATION MANUAL, and the like.

1-1. THE FOLLOWING SHOULD ALWAYS BE OBSERVED FOR SAFETY

- Be sure to read these safety precautions and instructions.
- Be sure to observe the warnings and cautions specified here.
- Before starting the connection setup of the WIRELESS INTERFACE, check the safety precautions in OPERATING INSTRUCTIONS of the air conditioner.
- After reading this manual, be sure to store it with the OPERATING INSTRUCTIONS for future reference.
- Please report to your supply authority or obtain their consent before connecting this equipment to the power supply system.
- For systems with a branch box, LEAK DETECTION SYSTEM installed. Unit must be powered except for service. This refrigerant sensor shall only be replaced with manufacturer approved sensor.

WARNING (Could lead to death or serious injury.)

- **Do not install the unit by yourself (user).**
Improper or incomplete installation could cause fire, electric shock, injury due to the unit falling, or water leakage. Consult a qualified installer or the dealer from whom you purchased the unit.
- **Follow the instructions detailed in the installation manual.**
Incomplete installation could cause fire or electric shock, injury due to the unit falling, or leakage of water.
- **When installing the unit, use appropriate protective equipment and tools for safety.**
Failure to do so could cause injury.
- **Install the unit securely in a place that can bear the weight of the unit.**
If the installation location cannot bear the weight of the unit, the unit could fall causing injury.
- **Do not alter the unit.**
It may cause fire, electric shock, injury or water leakage.
- **Perform electrical work according to the installation manual and be sure to use an exclusive circuit. Do not connect other electrical appliances to the circuit.**
If the capacity of the power circuit is insufficient or there is incomplete electrical work, it could result in a fire or an electric shock.
- **Ground the unit correctly.**
Do not connect the ground wire to a gas pipe, water pipe, lightning rod or telephone ground. Defective grounding could cause electric shock.
- **Do not damage the wires.**
Damaged wires could cause fire.
- **Be sure to shut off the main power when setting up the indoor P.C. board or wiring.**
Failure to do so could cause electric shock.
- **Use the specified wires to securely connect the indoor and outdoor units. Attach the wires firmly to avoid applying stress to the terminal block.**
Improper connection could cause fire.
- **Do not install the unit in a place where flammable gas may leak.**
If gas leaks and accumulates around the unit, it could cause an explosion.
- **Do not use intermediate connection of the power cord or the extension cord. Do not connect many devices to one AC outlet.**
It could cause a fire or an electric shock.
- **Use the parts provided or specified parts for the installation work.**
The use of defective parts could cause an injury or leakage of water due to a fire, an electric shock, the unit falling, etc.
- **When plugging the power supply plug into the outlet, make sure that there is no dust, blockage, or loose parts both in the outlet and on the plug. Verify that the power supply plug is completely in the outlet.**
If there is dust, blockage, or loose parts on the power supply plug or the outlet, it could cause electric shock or fire. If loose parts are found on the power supply plug, replace it.
- **Attach the disp cover to the indoor unit and the service panel to the outdoor unit securely.**
If the disp cover of the indoor unit and/or the service panel of the outdoor unit are not attached securely, it could result in a fire or an electric shock due to dust, water, etc.
- **When installing, relocating, or servicing the unit, make sure that no substance other than the specified refrigerant (R454B) enters the refrigerant circuit.**
Any presence of foreign substance such as air can cause abnormal pressure rise and may result in explosion or injury. The use of any refrigerant other than that specified for the system will cause mechanical failure, system malfunction, or unit breakdown. In the worst case, this could lead to a serious impediment to securing product safety.
- **Do not discharge the refrigerant into the atmosphere. Check that the refrigerant gas does not leak after installation has been completed. If refrigerant leaks during installation, ventilate the room.**
If refrigerant comes in contact with a fire, harmful gas could be generated. If refrigerant gas leaks indoors, and comes into contact with the flame of a fan heater, space heater, stove, etc., harmful gases will be generated.
- **Use appropriate tools and piping materials for installation.**
The pressure of R454B is 1.6 times higher than R22. Not using the appropriate tools and materials, or improper installation could cause the pipes to burst causing an injury.
- **When the refrigeration circuit has a leak, do not execute pump down with the compressor. When pumping down the refrigerant, stop the compressor before disconnecting the refrigerant pipes.**
If the refrigerant pipes are disconnected while the compressor is running and the stop valve is open, air could be drawn in and the pressure in the refrigeration cycle could become abnormally high, causing the pipes to burst.
- **Fix the connecting cable at the prescribed position securely.**
Incorrect installation may cause electric shock, fire, and/or malfunction.
- **When installing the unit, securely connect the refrigerant pipes before starting the compressor.**
If the compressor is started before the refrigerant pipes are connected and the stop valve is open, air could be drawn in and the pressure in the refrigeration cycle could become abnormally high, causing the pipes to burst.
- **Fasten a flare nut with a torque wrench as specified in this manual.**
If fastened too tight, a flare nut could break and cause refrigerant leakage.
- **Install the unit according to national wiring regulations.**
- **When opening or closing the valve below freezing temperatures, refrigerant may spurt out from the gap between the valve stem and the valve body, resulting in injuries.**

This manual only describes the installation of indoor unit.
When installing the outdoor unit, refer to the installation manual of outdoor unit.

⚠ WARNING (Could lead to death or serious injury.)

- **Exercise caution when using any auxiliary heat source and follow all third party manufacturer instructions and safety guidelines for installation and usage.**

Any auxiliary heat source connected to this unit via the CN24 connection must have an independent temperature control mechanism. Failure to install and maintain such temperature control mechanism may void the warranty for this unit.

Mitsubishi Electric shall not bear any warranty obligation or other liability for any damage or loss in connection with such third party auxiliary heaters.

- **When using a gas burner or other flame-producing equipment, completely remove all of the refrigerant from the air conditioner and ensure that the area is well-ventilated.**

If the refrigerant leaks and comes in contact in fire or heating part, it will create harmful gas and there is risk of fire.

- **Do not use means to accelerate the defrosting process or to clean, other than those recommended by the manufacturer.**

- **The appliance shall be stored in a room without continuously operating ignition sources (for example: open flames, an operating gas appliance or an operating electric heater).**

- **Do not pierce or burn.**

- **Be aware that refrigerants may not contain an odour.**

- **Pipe-work shall be protected from physical damage and be in compliance with national and local codes and standards.**

- **The installation of pipe-work shall be kept to a minimum.**

- **Keep any required ventilation openings clear of obstruction.**

- **Keep gas-burning appliances, electric heaters, and other fire sources (ignition sources) away from the location where installation, repair, and other air conditioner work will be performed.**

- **Earth the unit correctly.**

Do not connect the earth to a gas pipe, water pipe, lightning rod or telephone earth. Defective earthing could cause electric shock.

- **Install an earth leakage breaker depending on the installation place.**

If an earth leakage breaker is not installed, it could cause electric shock.

- **Risk of fire. Flammable refrigerant used. To be repaired only by trained service personnel. Do not puncture refrigerant tubing. Dispose of properly in accordance with federal or local regulations.**

- **Do not turn off the breaker except for servicing. When the error of refrigerant leakage is displayed, check the indoor unit after FAN stops.**

- **Pipe-work shall be protected from physical damage.**

- **Compliance with national gas regulations shall be observed.**

- **Pipe-work including piping material, pipe routing, and installation shall include protection from physical damage in operation and service, and be in compliance with national and local codes and standards, such as ASHRAE 15, ASHRAE 15.2, IAPMO Uniform Mechanical Code, ICC International Mechanical Code, or CSA B52.**

- **All field joints shall be accessible for inspection prior to being covered or enclosed.**

Ventilated area

- **Ensure that the area is in the open or that it is a adequately ventilated before breaking into the system or conducting any hot work. A degree of ventilation shall continue during the period that the work is carried out.**

The ventilation should safely disperse any released refrigerant and preferably expel it externally into the atmosphere.

For Wireless interface

- **Do not install the indoor unit equipped with the Wireless interface nearby the automatic control devices such as automatic doors or fire alarms.**

It can cause accidents due to malfunctions.

- **Do not use the indoor unit equipped with the Wireless interface nearby the medical electrical equipment or people who have a medical device such as a cardiac pacemaker or an implantable cardioverterdefibrillator.** It can cause an accident due to malfunctions of the medical equipment or device.

- **This indoor unit equipped with the Wireless interface should be installed and operated with a minimum distance of 8 in. (20 cm) between the device and the user or bystanders.**

For system with branch box

- **Do not turn the breaker OFF except the case of burning smell, or when performing maintenance or inspection.**

The power cannot be supplied to the refrigerant sensor mounted in the indoor unit, and the sensor cannot detect the refrigerant leakage. This may cause a fire.

⚠ CAUTION (Could lead to serious injury when operated incorrectly.)

- **Depending on the installation area, install a Ground Fault Interrupt (GFI) circuit breaker.**

If the Ground Fault Interrupt (GFI) circuit breaker is not installed, an electric shock could occur.

- **Perform the drainage/piping work securely according to the installation manual.**

If there is defect in the drainage/piping work, water could drip from the unit, and damage household items.

- **Do not touch the air inlet or the aluminum fins of the outdoor unit.**

This could cause injury.

- **Do not install the outdoor unit where small animals may live.**

If small animals enter the unit and damage its electrical parts, it could cause a malfunction, smoke emission, or fire. Keep the area around the unit clean.

- **Do not operate the air conditioner during interior construction and finishing work, or while waxing the floor.**

Before operating the air conditioner, ventilate the room well after such work is performed. Otherwise, it may cause volatile elements to adhere inside the air conditioner, resulting in water leakage or scattering of dew.

- **Please wear protective equipment when you touch the base of the outdoor unit.**

It could cause injury if you do not wear the protective equipment.

For Wireless interface

- **To prevent damage from static electricity, touch a nearby metal body to discharge static electricity from yourself before touching the indoor unit equipped with the Wireless interface.**

Static electricity from the human body may damage the Wireless interface unit.

- **Do not use the indoor unit equipped with the Wireless interface nearby other wireless devices, microwaves, cordless phones, or facsimiles.**

It can cause malfunctions.

- **The End user should read and accept the terms and conditions of the Wireless LAN service before commencement of the installation of this indoor unit equipped with the Wireless interface.**

For system with branch box

- **Do not install the unit in a place where smoke, gas, or chemicals may fill.**

The refrigerant sensor mounted in the indoor unit may react to it, and display an error of refrigerant leakage.

- **Be careful of the fan rotation when the breaker is ON.**

When the refrigerant sensor detects the refrigerant leakage, the fan starts rotating automatically. This may cause injury.

- **When using any aerosol sprays for interior construction, finishing work, or sealing a wall hole, turn off the breaker and ventilate the room well. The refrigerant sensor may react to the gas in the sprays, and it may cause misdetection.**

1-2. SELECTING THE INSTALLATION LOCATION

INDOOR UNIT

⚠️ ⚡ WARNING

- The mounting height of indoor unit shall be 7 ft (2.2 m) or more from the floor.
- The unit shall be installed in rooms exceed the minimum room area (A_{min}) determined by total refrigerant amount (M).

SYSTEM WITHOUT BRANCH BOX

M		A_{min}	
[kg]	[lbs,oz]	A_{min} [m ²]	A_{min} [ft ²]
0.5	1 : 1	1.9	21
0.6	1 : 5	2.3	25
0.7	1 : 8	2.6	28
0.8	1 : 12	3.0	33
0.9	1 : 15	3.4	37
1.0	2 : 3	3.8	41
1.1	2 : 6	4.1	45
1.2	2 : 10	4.5	49
1.3	2 : 13	4.9	53
1.4	3 : 1	5.2	56
1.5	3 : 4	5.6	61
1.6	3 : 8	6.0	65
1.7	3 : 11	6.3	68
1.8	3 : 15	6.7	73
1.9	4 : 3	7.1	77
2.0	4 : 6	7.5	81
2.1	4 : 10	7.8	84
2.2	4 : 13	8.2	89
2.3	5 : 1	8.6	93
2.4	5 : 4	8.9	96
2.5	5 : 8	9.3	101
2.6	5 : 11	9.7	105
2.7	5 : 15	10.0	108
2.8	6 : 2	10.4	112

SYSTEM WITH BRANCH BOX

Refer to the installation manual of the multi unit.

REMOTE CONTROLLER

Followings are preferable conditions to store a remote controller:

- Where it is easy to operate and easily visible.
- Where children cannot touch it.
- Select a position about 4 ft (1.2 m) above the floor and check that signals from the remote controller are surely received by the indoor unit from that position ('beep' or 'beep beep' receiving tone sounds). After that, attach remote controller holder to a pillar or wall and install wireless remote controller.

Note:

In rooms where inverter type fluorescent lamps are used, the signal from the wireless remote controller may not be received.

Note:

Avoid the following places for installation where air conditioner trouble is liable to occur.

- Where flammable gas could leak.
- Where there is much machine oil.
- Where oil is splashed or where the area is filled with oily smoke (such as cooking areas and factories, in which the properties of plastic could be changed and damaged).
- Salty places such as the seaside.
- Where sulfide gas is generated such as hot spring, sewage, waste water.
- Where there is high-frequency or wireless equipment.
- Where there is emission of high levels of VOCs, including phthalate compounds, formaldehyde, etc., which may cause chemical cracking.
- The appliance shall be stored so as to prevent mechanical damage from occurring.

Following conditions should be satisfied when installing indoor units:

- Where airflow is not blocked.
- Where cool (or warm) air spreads over the entire room.
- Where it is not exposed to direct sunshine. Do not expose to direct sunshine also during the period following unpacking to before use.
- Where easily drained.
- At a distance 3 ft (1 m) or more away from your TV and radio. Operation of the air conditioner may interfere with radio or TV reception. An amplifier may be required for the affected device.
- In a place as far away as possible from fluorescent and incandescent lights. In order to make the infrared remote control operate the air conditioner normally. The heat from the lights may cause deformation or the ultraviolet may cause deterioration.
- Where the air filter can be removed and replaced easily.
- Where it is away from the other heat or steam source.

For Wireless interface

- Please ensure that the Router supports the WPA2-AES encryption setting before commencement of the installation of this indoor unit equipped with the Wireless interface.
- This indoor unit equipped with the Wireless interface should not be installed and connected to any Mitsubishi Electric system which is to provide application critical cooling or heating.

For system with branch box

- Do not install the unit in the environment where any gas equipment for propane, butane or methane, sprays such as bug killer, equipment which generates smoke, paint etc., and chemicals are used, or in the place where sulfur-based gas is generated.
- The refrigerant sensor mounted in the indoor unit may react to them, and display an error of refrigerant leakage. This may cause the unit not to operate.

Note:

Install the indoor unit high on the wall where air can distribute over the entire room.

1-3. SPECIFICATIONS

1-3-1. INDOOR/OUTDOOR WIRE CONNECTION

- Wiring work should be based on applicable technical standards.
- Wiring connections should be made following the diagram.
- Securely tighten screws.

Connecting wires and the ground wire

- Use solid conductor Min. AWG14 or stranded conductor Min. AWG14.
- Use double insulated copper wire with 600 V insulation.
- Use copper conductors only.
- * Follow local electrical codes.

Note:

When the indoor unit is powered from the outdoor unit, depending on local code, a disconnect switch needs to be installed to a power supply circuit.

1-3-2. REFRIGERANT PIPES

- To prevent condensation, insulate the two refrigerant pipes.

Note:

The unit should be installed by a licensed contractor/electrician. If required by applicable national, state and local codes; a disconnect switch will need to be installed when the indoor unit is powered from the outdoor unit.

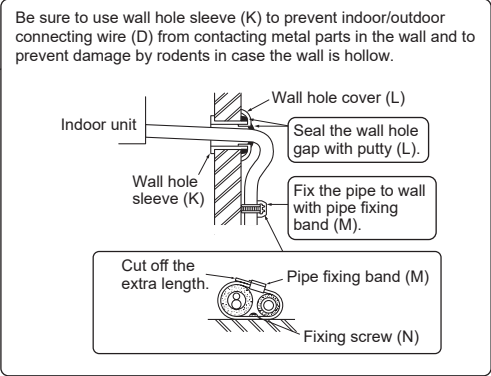
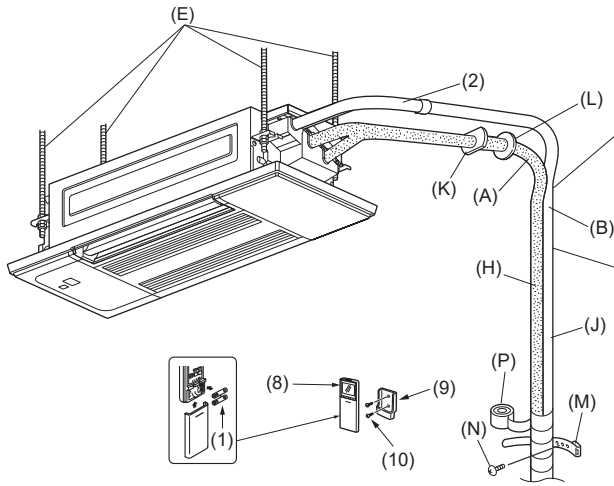
- The unit has flared connections on both indoor and outdoor sides.
- Remove the valve cover from the outdoor unit, then connect the pipe.
- Refrigerant pipes are used to connect the indoor and outdoor units.
- Be careful not to crush or over bend the pipe in pipe bending.

Electrical specifications

INDOOR UNIT	
Power supply (V, PHASE, Hz)	208/230, 1, 60
Min. Circuit Ampacity (A)	1.0
Fan motor (F.L.A.) (A)	0.68

Pipe	Outside diameter	Minimum wall thickness	Insulation thickness	Insulation material	
					in. (mm)
For liquid	MLZ-KX06NL	1/4 (6.35)	0.0315 (0.8)	5/16 (8)	Heat resistant foam plastic 0.045 Specific gravity
For gas		3/8 (9.52)	0.0315 (0.8)		

1-4. INSTALLATION DIAGRAM



After the leak test, apply insulating material tightly so that there is no gap.

When the piping is to be attached to a wall containing metals (tin plated) or metal netting, use a chemically treated wooden piece 3/4 in. (20 mm) or thicker between the wall and the piping or wrap 7 to 8 turns of insulation vinyl tape around the piping. To use existing piping, perform COOL operation for 30 minutes and pump down before removing the old air conditioner. Remake flare according to the dimension for new refrigerant.

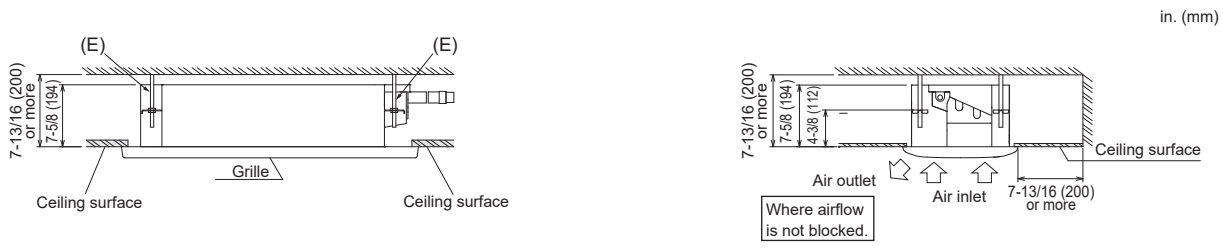
Units should be installed by licensed contractor according to local code requirements.

IMPORTANT NOTES

Check that cabling will not be subject to wear, corrosion, excessive pressure, vibration, sharp edges or any other adverse environmental effects. The check shall also take into account the effects of aging or continual vibration from sources such as compressors or fans.

Service space

- The dimensions of ceiling opening can be regulated within the range shown in following diagram; so center the main unit against the opening of ceiling, ensuring that the respective opposite sides on all sides of the clearance between them becomes identical.



ACCESSORIES

Check the following parts before installation.

(1)	Alkaline battery (AAA) for (8)	2
(2)	Drain hose (with insulation)	1
(3)	Special washer (with cushion, 4 pcs)	8
(4)	Installation template	1
(5)	Fixing screw for (4) M5 × 30 mm	4
(6)	Band	1
(7)	Fixing screw for (6) 4 × 16 mm	2
(8)	Remote controller	1
(9)	Remote controller holder	1
(10)	Fixing screw for (9) 3.5 × 16 mm (Black)	2
(11)	Wireless interface	1
(12)	Mounting cord clamp	1
(13)	Fixing screw for (12) 4 × 12 mm	1

PARTS TO BE PROVIDED AT YOUR SITE

(A)	Refrigerant pipe	1
(B)	Drain pipe (O.D. 1 in. (26 mm))	1
(C)	Installation tools (See 1-3.)	1
(D)	Indoor/outdoor unit connecting wire*	1
(E)	Suspension bolt (W3/8)	4
(F)	Nut with flange (W3/8)	8
(G)	Nut (W3/8)	4
(H)	Insulating material for (A) (Heat resistant foamed polyethylene, specific gravity 0.045, thickness more than 1/2 in. (14 mm))	1
(J)	Insulating material for (B) (Foamed polyethylene, specific gravity 0.03, thickness more than 3/8 in. (10 mm))	1

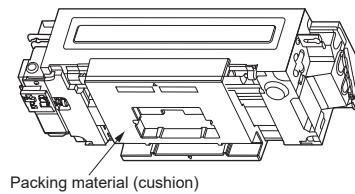
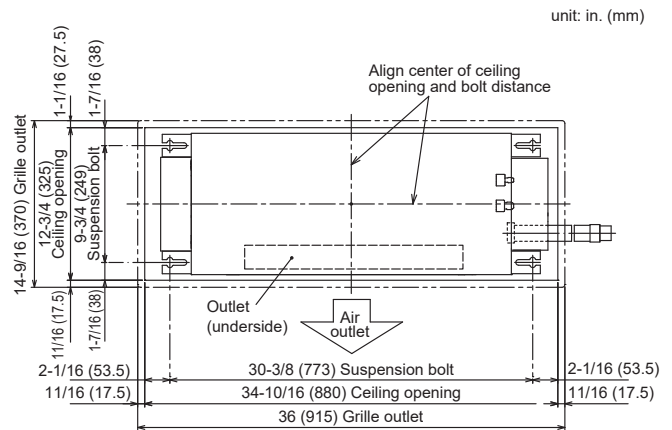
(K)	Wall hole sleeve	1
(L)	Parts for mending wall hole (putty, cover)	1
(M)	Pipe fixing band	2 to 7
(N)	Fixing screw for (M)	2 to 7
(P)	Piping tape	1 to 5

* Note: Place indoor/outdoor unit connecting wire (D) at least 3 ft (1 m) away from the TV antenna wire.

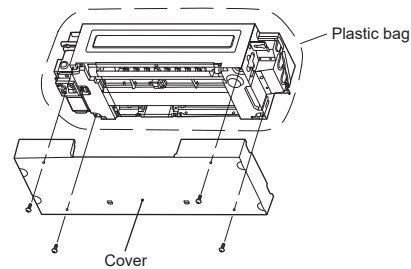
2. INDOOR UNIT INSTALLATION

2-1. CEILING OPENINGS AND SUSPENSION BOLT INSTALLATION LOCATIONS

- Install the indoor unit at least 7 ft (2.2 m) above floor or grade level.
- For appliance not accessible to the general public.
- Refrigerant pipes connection shall be accessible for maintenance purposes.
- Make an opening in the ceiling 12-3/4 × 34-10/16 in. (325 mm × 880 mm) in size. This functions as a check window and will be needed later during servicing.
- If the dimensions are not accurate, when the grille is installed there may be gaps between it and the indoor unit. This may result in dripping water or other problems.
- When deciding on placement, consider carefully the space around the ceiling and make your measurements generous.
- Building construction differs depending on the type of ceilings. Therefore, you should consult with the builder and decorator.
- Using the installation template (4) (top of the package) and the gauge (supplied as an accessory with the grille), make an opening in the ceiling so that the main unit can be installed as shown in the diagram. (The method for using the template and the gauge are shown.)
- Use W3/8 suspension bolts (E).
- After suspending the indoor unit, you will have to connect the pipes and wiring above the ceiling. Once the location has been fixed and the direction of the pipes has been determined, place the refrigerant and drainage pipes, and the wiring that connects the indoor and outdoor units in their desired locations before suspending the indoor unit. This is especially important in cases where the ceiling is already in existence.

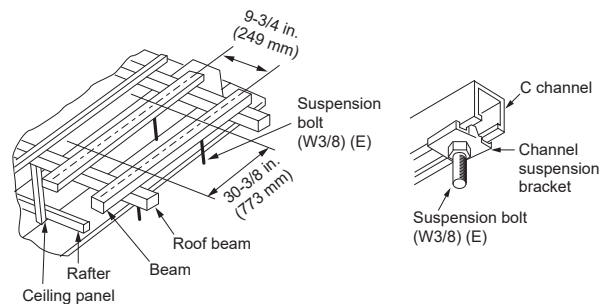


- Remove the packing material (cushion) before installing the plastic bag and the cover.
- To prevent from dust, protect the indoor unit by covering with the plastic bag and the cover.
- Remove the plastic bag and the cover before installing the grille (optional).



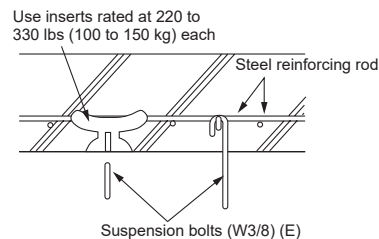
1) Wooden structures

- Use tie beams (single storied houses) or second floor beams (two story houses) as reinforcing members.
- Wooden beams for suspending air conditioners must be sturdy and their sides must be at least 2-5/16 in. (60 mm) long if the beams are separated by not more than 35-3/8 in. (900 mm) and their sides must be at least 3-1/2 in. (90 mm) long if the beams are separated by as much as 6 ft (1800 mm).
- Use channel, duct and other parts procured locally to suspend the indoor unit.



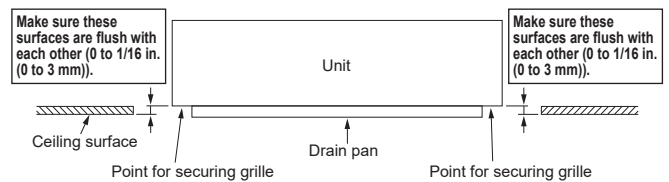
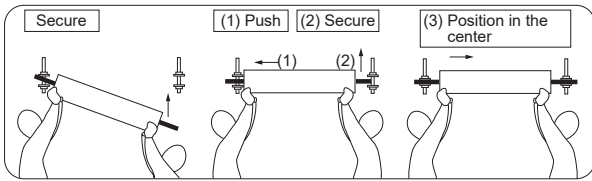
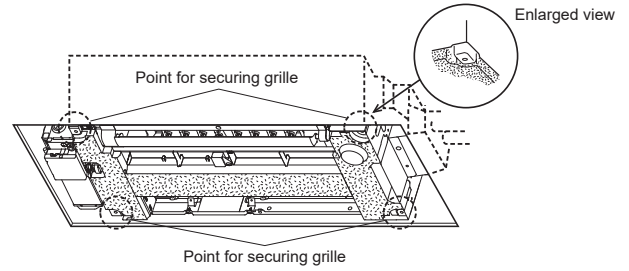
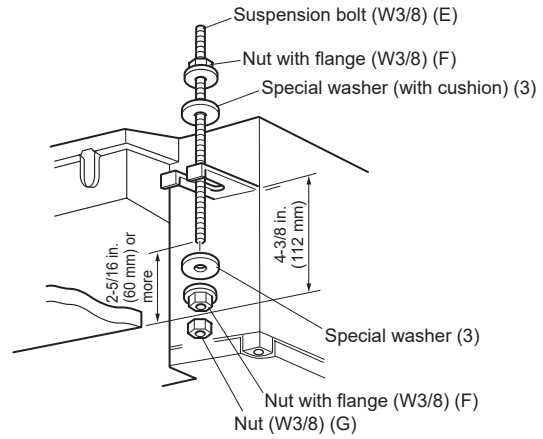
2) Ferro-concrete structures

- Secure the suspension bolts using the method shown, or use steel or wooden hangers, etc. to install the suspension bolts (E).
- When the unit is put down with its lower surface facing down, place packing material (cushion) underneath to prevent horizontal vane damage.



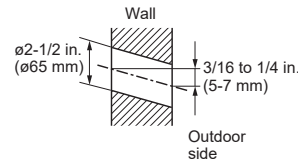
Unit suspension procedures

- Adjust the length of the bolt's protrusion from the ceiling surface beforehand.
 - Check the pitch of the suspension bolt (E).
(9-3/4 × 30-3/8 in. (249 mm × 773 mm))
- Install special washer (3) and their nuts (F) onto the suspension bolt (E) in advance.
 - Do this in the following order (from the top): nut (F), special washer with cushion (3), special washer (3), nut (F), nut (G).
 - Position special washer, with cushion (3) with the insulated surface pointing down, as in the figure.
 - Lift the unit into place, aligned properly with suspension bolt (E). Pass the bracket between special washer, with cushion (3) and special washer (3), which are already in place, and secure it. Do the same in all four places.
 - Make sure the suspension bolt (E) extends 2-3/4 in. (70 mm) or more from the surface of the ceiling. Otherwise you will not be able to install the grille (optional).
 - If the points for securing the grille are not flush with the ceiling surface, water may condense, or the panel may not open/close.**
 - If the long opening in the bracket and opening in the ceiling do not align, adjust them until they do.
 - Check that the four places for securing the grille are all level using a spirit level.
 - Tighten all the nuts.



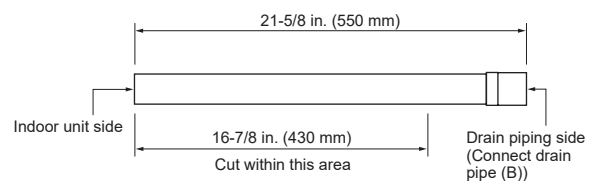
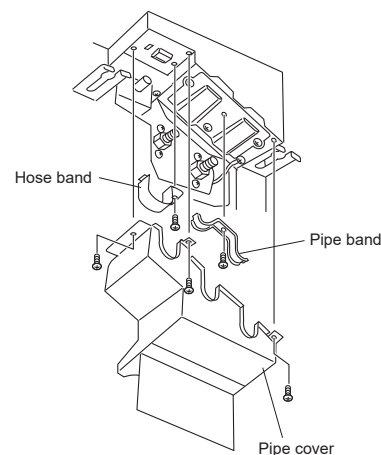
2-2. HOLE DRILLING

- Determine the wall hole position.
- Drill a dia. 2-1/2 in. (65 mm) hole. The outdoor side should be 3/16 to 1/4 in. (5 to 7 mm) lower than the indoor side.
- Insert wall hole sleeve (K).

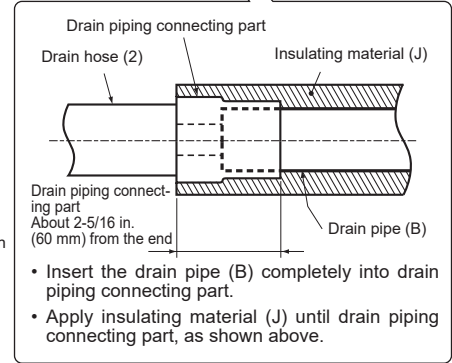
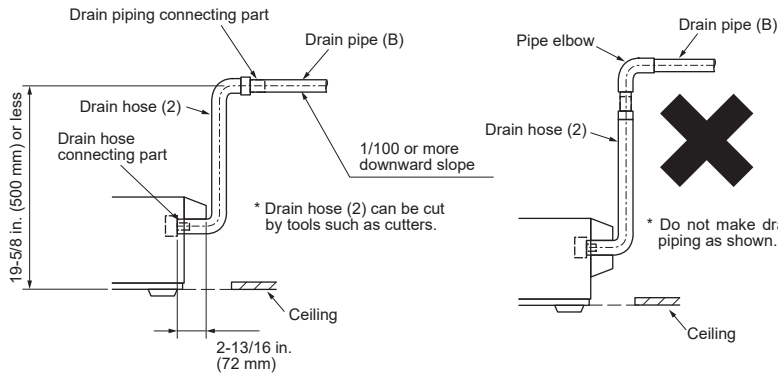
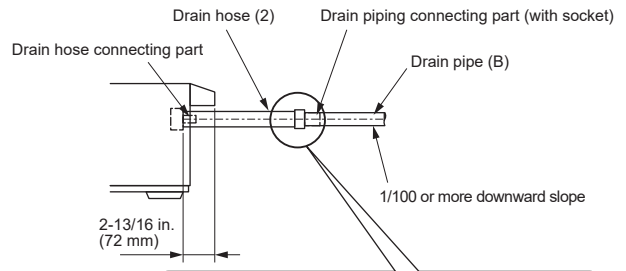


2-3. DRAIN PIPING

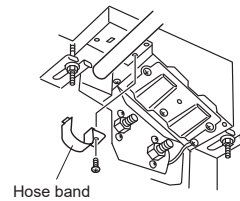
- Use drain pipe (B) for drain piping. Be sure to connect the piping joints using adhesive of polyvinyl chloride family to prevent leakage.
- Before drain piping work, remove the pipe cover, hose band, pipe band, and spacer (cushion). Dispose of the spacer (cushion), as it will not be needed.
- Drain hose (2) is 21-5/8 in. (550 mm) long, so that drain piping exit can be moved up. Cut drain hose (2) into appropriate length before connecting.



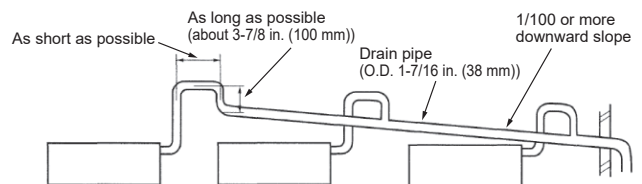
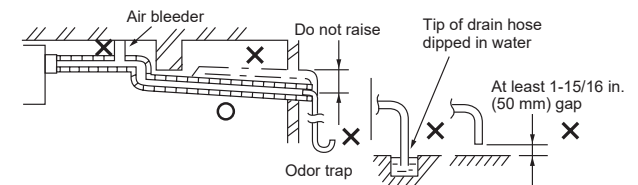
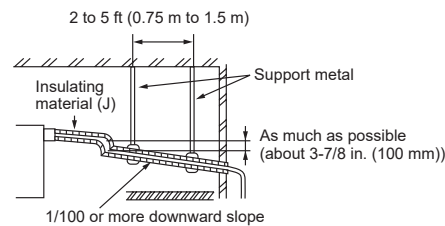
- Connect drain pipe (B) directly to drain piping connecting part (socket side) of drain hose (2).
- Be sure to connect drain hose (2) to the indoor unit side as shown in the illustration on the right. Be sure to connect the drain hose connecting part using adhesive of polyvinyl chloride family to prevent leakage.
- To bring up the drain exit, first arrange drain hose (2) to go upward vertically, and then provide 1/100 or more downward slope, as shown in the illustration below.



- If the drain piping pass indoor, be sure to apply insulating material (J) (Foamed polyethylene, specific gravity 0.03, thickness more than 3/8 in. (10 mm)).
- Connect drain hose connecting part using adhesive of polyvinyl chloride family before installing the hose band.



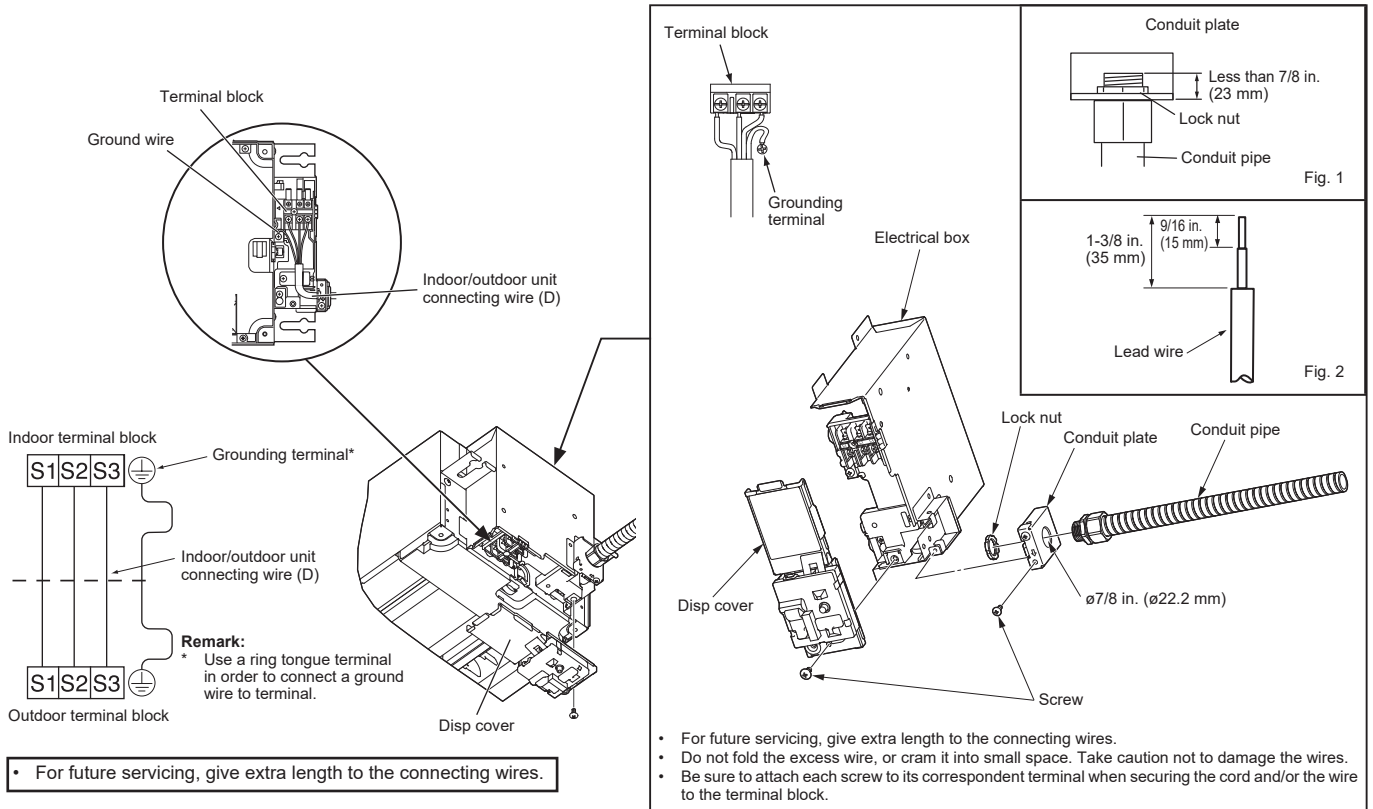
- Apply insulating material (J) until drain piping connecting part, as shown in the upper right illustration.
- Drain piping should form a downward slope (1/100 or more) to the outdoor drain exit. Do not form trap or raise the pipe.
- Do not arrange the pipe horizontally for more than 65 ft (20 m). When the drain piping is too long, use support metal to prevent the drain pipe from forming an up or down curve. Be sure not to install an air bleeder. (Since drain lift-up mechanism is built-in, drain may blow out.)
- Odor trap for drain outlet is not necessary.
- For grouped piping, arrange piping so that the grouped piping is about 3-7/8 in. (100 mm) lower than the unit drain exit, as shown in the figure. Use about a drain pipe (O.D. 1-7/16 in. (38 mm)) for grouped piping, and arrange it so that it forms about 1/100 or more downward slope.
- Do not place drain piping directly into a place where ammonia gas or sulfuric gas is formed, such as sewage tanks or septic tanks.



2-4. CONNECTING WIRES FOR INDOOR UNIT

Note: The unit should be installed by a licensed contractor/electrician. If required by applicable national, state and local codes; a disconnect switch will need to be installed when the indoor unit is powered from the outdoor unit.

- 1) Remove disp cover.
- 2) Remove the conduit plate.
- 3) Attach the conduit pipe to the conduit plate with the lock nut. The indoor/outdoor unit connecting wire (D) appearing from the inside of conduit pipe should be less than 7/8 in. (23 mm). (Fig. 1)
- 4) Process the end of ground wire (Fig. 2). Connect it to the ground terminal of the electrical parts box.
- 5) Process the end of indoor/outdoor unit connecting wire (D) (Fig. 2). Attach it to the terminal block. Be careful not to make mis-wiring. Attach the wire to the terminal block securely so that its core cannot be seen, and no external force affects the connecting section of the terminal block.
- 6) Firmly tighten the terminal screws. After tightening, verify that the wires are tightly fastened.
- 7) Reinstall the conduit plate.
- 8) Pass indoor/outdoor unit connecting wire (D) process the end of the wire.
- 9) Loosen terminal screw, and connect first the ground wire, then indoor/outdoor unit connecting wire (D) to the terminal block. Be careful not to make mis-wiring. Fix the wire to the terminal block securely so that no part of its core is appeared, and no external force is conveyed to the connecting section of the terminal block.
- 10) Firmly tighten the terminal screws to prevent them from loosening. After tightening, pull the wires lightly to confirm that they do not move.
- 11) Reinstall the disp cover.



When the ceiling is above 8 ft (2.4 m) and 9 ft (2.7 m) or below

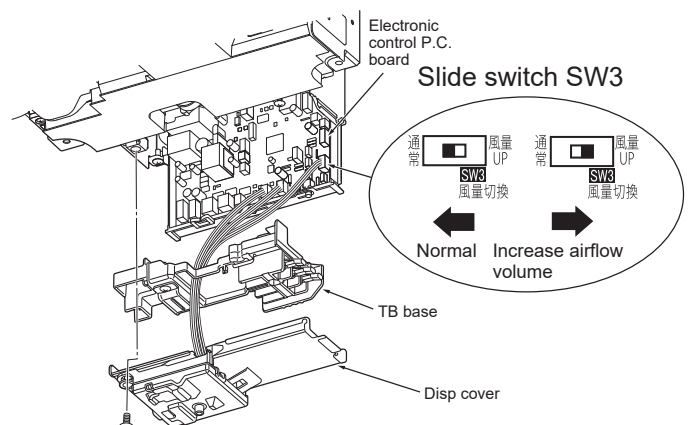
Move the slide switch (SW3) to the right to increase airflow volume.

* When the ceiling is above 9 ft (2.7 m), airflow volume may be insufficient even with the slide switch (SW3) set to "increase airflow".

- 1) Make sure that the breaker for air conditioner is turned OFF.
- 2) Remove disp cover of the indoor unit.
- 3) Slide out the electronic control P.C. board, and switch up the slide switch (SW).
- 4) Put the electronic control P.C. board back to the original position, and install disp cover.

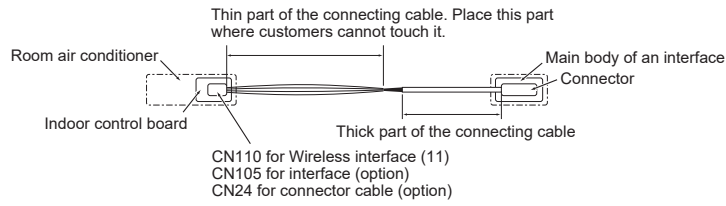
Note:

- Perform static elimination before setting.
- Default setting is Normal.

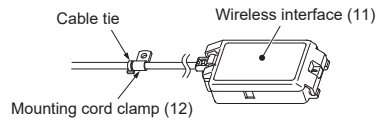


2-5. WIRELESS INTERFACE INSTALLATION

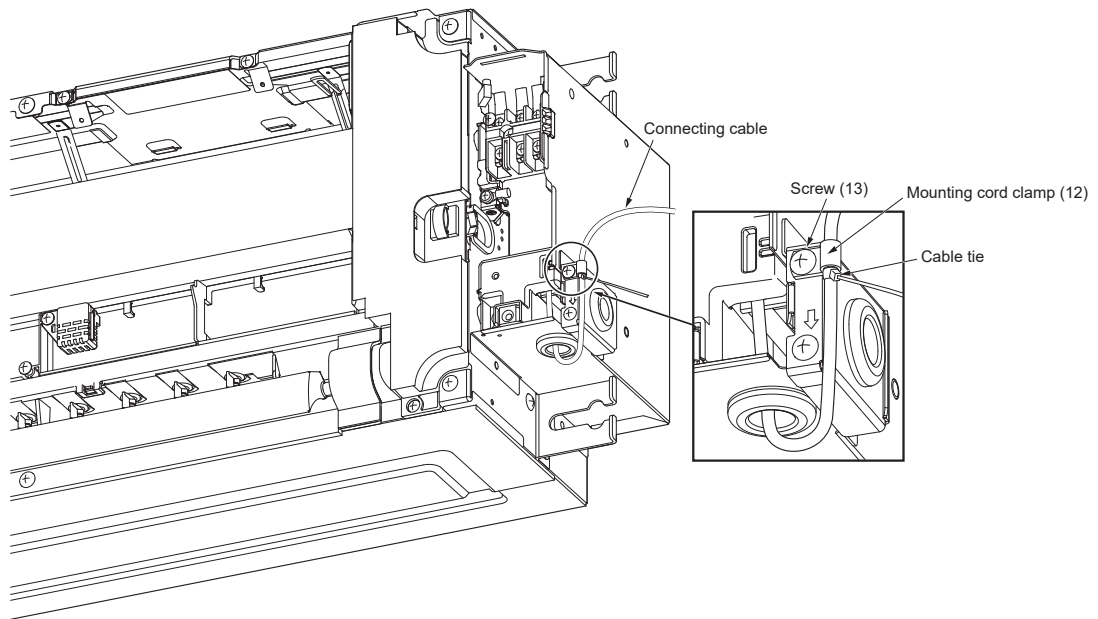
- Connect an interface to the indoor control board of an air conditioner with a connecting cable.
- Cutting or extending the interface connecting cable will result in connection failure. Do not bundle the connecting cable together with power supply cords, indoor/outdoor connecting wires, and/or ground wires. Keep as much distance as possible between the connecting cable and those wires.
- The thin part of the connecting cable should be stored and placed where customers cannot touch it.
- When installing the Wireless interface (11), leave a gap of 5 cm or more between the module and the metal parts of both the indoor unit and the building frame. Otherwise, the wireless communication performance may be affected.



- 1) Before connecting the Wireless interface (11), be sure to disconnect the indoor/outdoor unit connecting wire from the terminal block.
- 2) Transcribe the setting information on the Wireless interface (11) to the OPERATING INSTRUCTIONS.
- 3) Attach the mounting cord clamp (12) to the interface side of the cable tie.



- 4) Remove the grille. (If the grille has been already installed)
- 5) Remove the disp cover.
Refer to 2-4. CONNECTING WIRES FOR INDOOR UNIT.
- 6) Slide out the indoor control board, and connect the connecting cable to CN110 on the indoor control board.
- 7) Remove the screw (13) shown in the figure below. Route the connecting cable as indicated in the figure below. Fix the mounting cord clamp (12), which has attached to the connecting cable, with the screw (13).



- 8) Reinstall the indoor control board and the disp cover.
- 9) Install the Wireless interface (11) in ceilings.
- 10) Reinstall the grille. (If the grille has been already installed)

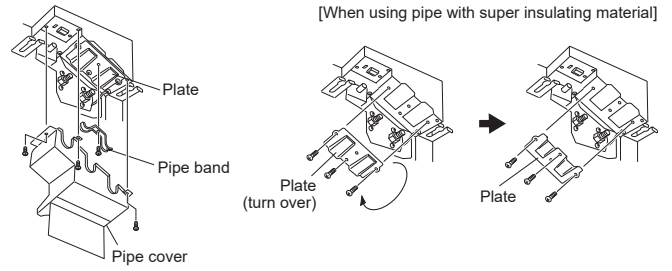
⚠ WARNING

Fix the connecting cable at the prescribed position securely. Incorrect installation may cause electric shock, fire, and/or malfunction.

3. FLARING WORK AND PIPE CONNECTION

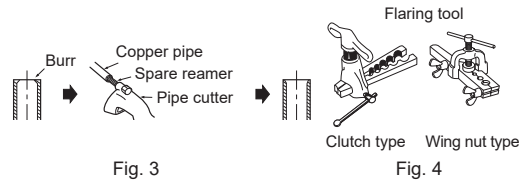
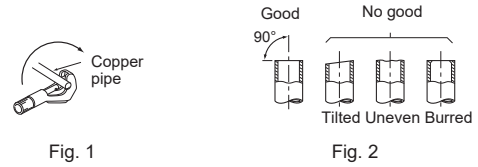
3-1. PIPING WORK

- 1) Remove the pipe cover, hose band, pipe band, and spacer (cushion) of the indoor unit. Dispose of the spacer (cushion), as it will not be needed.
- 2) When using pipe with super insulating material (about $\phi 1\text{-}7/8$ in. ($\phi 48$ mm) liquid pipe, $\phi 2$ in. ($\phi 51$ mm) gas pipe) for indoor connecting pipe, remove plate and turn it over so that the concave part faces upward.

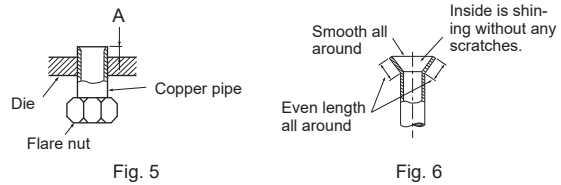


3-2. FLARING WORK

- 1) Cut the copper pipe correctly with pipe cutter. (Fig. 1, 2)
- 2) Completely remove all burrs from the cut cross section of pipe. (Fig. 3)
 - Put the end of the copper pipe to downward direction as you remove burrs in order to avoid to let burrs drop in the piping.
- 3) Remove flare nuts attached to indoor and outdoor units, then put them on pipe having completed burr removal. (Not possible to put them on after flaring work.)
- 4) Flaring work (Fig. 4, 5). Firmly hold copper pipe in the dimension shown in the table. Select A in. (mm) from the table according to the tool you use.
- 5) Check
 - Compare the flared work with Fig. 6.
 - If flare is noted to be defective, cut off the flared section and do flaring work again.



Pipe diameter in. (mm)	B in. (mm)	A in. (mm)			Tightening torque	
		Clutch type tool for R410A/ R454B	Clutch type tool for R22	Wing nut type tool for R22	ft-lb (kg•cm)	N•m
$\phi 1/4$ (6.35)	21/32 (17)	0 to 0.02 (0 to 0.5)	0.04 to 0.06 (1.0 to 1.5)	0.06 to 0.08 (1.5 to 2.0)	10 to 13 (140 to 180)	14 to 18
$\phi 3/8$ (9.52)	7/8 (22)			0.08 to 0.10 (2.0 to 2.5)	25 to 30 (340 to 420)	34 to 42
$\phi 1/2$ (12.7)	1-1/32 (26)				35 to 44 (490 to 610)	49 to 61
$\phi 5/8$ (15.88)	1-5/32 (29)				49 to 59 (680 to 820)	68 to 82



3-3. PIPE CONNECTION

- In the case of reconnecting the refrigerant pipes after detaching, make the flared part of pipe re-fabricated.
- Fasten flare nut with a torque wrench as specified in the table.
- When fastened too tight, flare nut may break after a long period and cause refrigerant leakage.
- Be sure to wrap insulation around the piping. Direct contact with the bare piping may result in burns or frostbite.

Indoor unit connection

Connect both liquid and gas pipings to indoor unit.

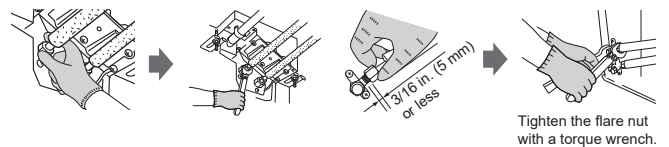
- For connection, first align the center, then tighten the first 3 to 4 turns of flare nut by hand.
- Use tightening torque table above as a guideline for indoor unit side union joint section, and tighten using two wrenches. Excessive tightening damages the flare section.

Outdoor unit connection

Connect pipes to stop valve pipe joint of the outdoor unit in the same manner applied for indoor unit.

- For tightening, use a torque wrench or spanner and use the same tightening torque applied for indoor unit.

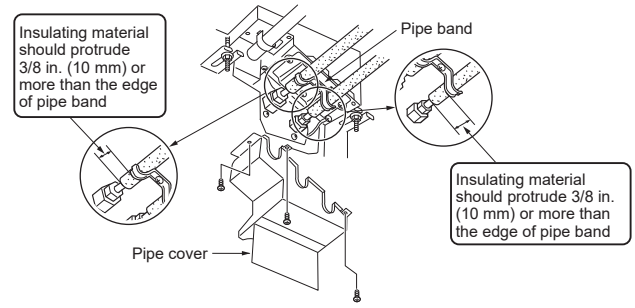
WARNING
When installing the unit, securely connect the refrigerant pipes before starting the compressor.



3-4. INSTALLING THE PIPE COVER

Make sure to install the pipe cover. Incorrect installation results in water leakage.

- No insulation is needed on the pipe connecting part of the indoor side for this unit. The pipe cover gathers the water condensed around the pipe connecting part.
- 1) Install the pipe band removed in 3-1. to secure the connecting pipes.
* The pipe band should hold down the insulating material of connecting pipe. Insulating material should protrude 3/8 in. (10 mm) or more than the pipe band, as shown in the illustration on the right.
 - 2) Install pipe cover.



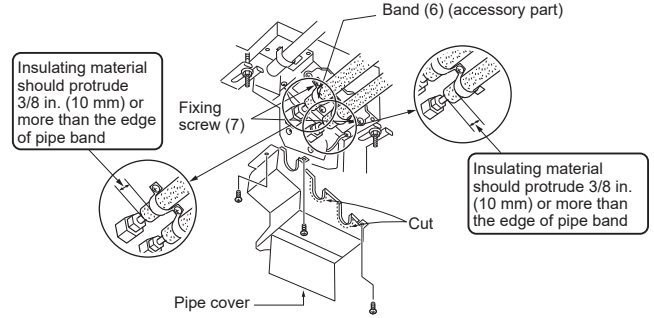
When using pipe with super insulating material
(about $\varnothing 1\text{-}7/8$ in. ($\varnothing 48$ mm) liquid pipe, $\varnothing 2$ in. ($\varnothing 51$ mm) gas pipe)

- 1) Make sure that the plate is turned over, and the concave part is facing upward. (Refer to 3-1.)
- 2) Use band (6) provided with the unit. (Do not use the pipe band attached to the unit)
- 3) Connecting pipe exit of pipe cover is pre-cut. Cut it along the line.
- 4) Install pipe cover.

Note:

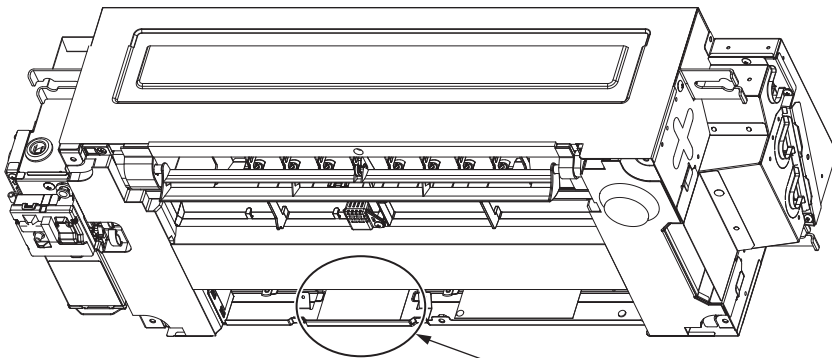
Install pipe cover and pipe band securely. Incomplete installation will cause water to drip from the unit, soaking and damaging household goods.

[When using pipe with super insulating material]



3-5. FILLING OUT THE INSTALLATION DATE

- Be sure to fill put the installation date (date of first charge) on the label below.



DATE OF FIRST CHARGE DATE DE LA PREMIERE CHARGE	
2025.1.23	
	Refrigerant Safety Group Classe de sécurité du réfrigérant A2L

4. TEST RUN

4-1. TEST RUN

- Do not operate the unit for long periods at places such as building under construction. This may cause dust or odor to adhere to the unit.
- Perform test run with the attendance of user, as much as possible.

- 1) Press the E.O. SW once for COOL, and twice for HEAT operation. Test run will be performed for 30 minutes. If the left lamp of the operation indicator blinks every 0.5 seconds, inspect the indoor/outdoor unit connecting wire (D) for mis-wiring. After the test run, emergency mode (set temperature 75°F (24°C)) will start.
- 2) To stop operation, press the E.O. SW several times until all LED lamps turn off. Refer to operating instructions for details.

Checking the remote (infrared) signal reception

Press the OFF/ON button on the remote controller and check that an electronic sound is heard from the indoor unit. Press the OFF/ON button again to turn the air conditioner off.

- Once the compressor stops, the restart preventive device operates so the compressor will not operate for 3 minutes to protect the air conditioner.

Water drainage check

- 1) Fill the drain pan with about 0.9–1.0 liters of water. (Don't pour water directly into the drain pump.)
- 2) Make a test run of the unit (in Cooling mode).
- 3) Check for water drainage at the outlet of the drainage pipe.
- 4) Stop the test run. (Don't forget to turn off the power.)

4-2. WATER DRAINAGE CHECK FOR INDOOR UNIT ONLY

If the wiring work has not been completed, connect terminals S1 and S2 on the indoor terminal block to a 230 V single-phase power supply.

- 1) Start the drain pump test run.
 - Press the emergency operation switch for 5 seconds (until a beep is heard) to start the operation of only the drain pump.
 - The two operation monitor lamps start blinking.
- 2) Stop the drain pump test run.
 - Press the emergency operation switch again to stop the operation of the drain pump. Even if you do not stop the drain pump, it will stop automatically after 15 minutes.
 - The operation monitor lamps turn off.

4-3. AUTO RESTART FUNCTION

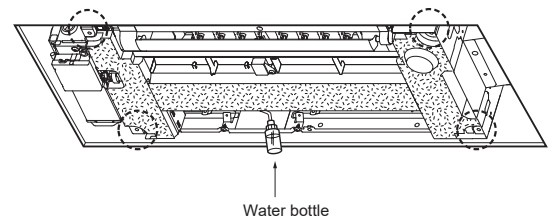
This product is equipped with an auto restart function. When the power supply is stopped during operation, such as during blackouts, the function automatically starts operation in the previous setting once the power supply is resumed. (Refer to the operating instructions for details.)

4-4. EXPLANATION TO THE USER

- Using the OPERATING INSTRUCTIONS, explain to the user how to use the air conditioner (how to use the remote controller, how to remove the air filters, how to remove or put the remote controller in the remote controller holder, how to clean, precautions for operation, etc.)
- Recommend the user to read the OPERATING INSTRUCTIONS carefully.



Check if the operation lamps light up.
(If they do not light up, the grille and the position of the lamps can be misaligned.)



- After test run or remote signal reception check, turn off the unit with the E.O. SW or the remote controller before turning off the power supply. Not doing so will cause the unit to start operation automatically when power supply is resumed.
- To the user**
- After installing the unit, make sure to explain the user about auto restart function.
 - If auto restart function is unnecessary, it can be deactivated. Consult the service representative to deactivate the function. Refer to the service manual for details.

5. GRILLE (OPTION) INSTALLATION

Refer to the procedures indicated in the installation manual of the Grille (option).

6. PUMPING DOWN

Refer to the procedures indicated in the installation manual of the outdoor unit.

⚠ WARNING

When the refrigeration circuit has a leak, do not execute pump down with the compressor.
When pumping down the refrigerant, stop the compressor before disconnecting the refrigerant pipes. The compressor may burst if air or other gases get into it.

7. CONNECTING TO THE WIRELESS INTERFACE

⚠ CAUTION

Wi-Fi® enabled indoor units:

- require a Wi-Fi® network with active internet connection for setup.
- are designed to connect to 2.4 GHz Wi-Fi® networks.
- will not work with 5 GHz or 6 GHz Wi-Fi® networks.

Some multi-band Wi-Fi® routers do not correctly manage 2.4 GHz-only devices. For best results, use a separate SSID for the 2.4 GHz band. Ensure that the installation will not exceed the Wi-Fi® router's connected device limit.

Verify that each indoor unit location has good Wi-Fi® signal strength. (-60 dBm or better). To improve reliability at locations with poor Wi-Fi® signal, apply a mesh Wi-Fi® system.

How to Connect:

Download the app by clicking the link or scanning the QR code and following the instructions in the app.

Note:

- When connecting both Wi-Fi and an MI controller, connect the Wi-Fi first.
- When connecting an MI controller, please follow the connection instructions described in the MI controller Installation Manual.
- Refer to Section 8 for instructions on connecting the Wireless Interface to the indoor unit control board.

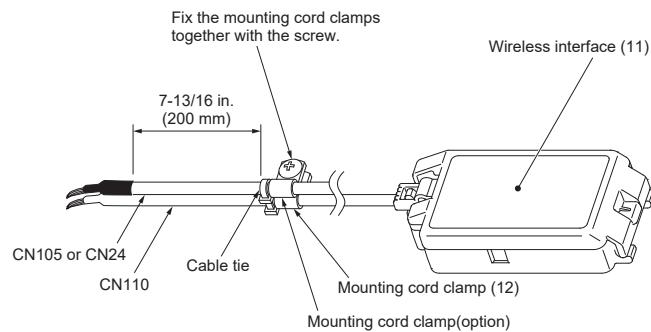
Visit <https://www.mitsubishitechno.ca/>.

Find the link to download the application and create your account.

Please also refer to the link for more detailed instructions on how to set up the application.

8. CONNECTING AN INTERFACE (OPTION) TO THE AIR CONDITIONER

- 1) Refer to "2-4. CONNECTING WIRES FOR INDOOR UNIT" and "2-5. WIRELESS INTERFACE INSTALLATION."
- 2) Fix the cable tie to the connecting cable at 7-13/16 in. (200 mm) from the edge of the insulation coating part.
- 3) Attach the mounting cord clamp (optional) to the side of the interface of the cable tie.
- 4) Fix the mounting cord clamp and the optional mounting cord clamp together with the screw.



* If the additional interface (option) is connected, bundle cable CN110, cable CN105, and cable CN24 with the cable tie.

- 5) Slide out the indoor control board, and connect the connecting cable to CN105 and/or CN24 on the indoor control board.

TABLE DES MATIERES

1. AVANT L'INSTALLATION.....1	7. CONNEXION A L'INTERFACE SANS FIL.....14
2. INSTALLATION DE L'UNITÉ INTERNE ...6	8. CONNEXION D'UNE INTERFACE (OPTION) AU CLIMATISEUR.....14
3. TRAVAUX D'ÉVASEMENT ET RACCORDÉMENT DES TUYAUX11	
4. ESSAI DE FONCTIONNEMENT13	
5. INSTALLATION DE LA GRILLE (EN OPTION)13	
6. PURGE14	

La présente notice d'installation concerne uniquement l'unité interne. Reportez-vous au manuel de type MXZ pour l'installation de l'unité externe.

Outils nécessaires à l'installation

Tournevis Phillips	Outil d'évasement pour le modèle R410A/R454B
Niveau	Tubulure de jauge pour le modèle R410A/R454B
Règle graduée	Pompe à vide pour le modèle R410A/R454B
Couteau tout usage ou paire de ciseaux	Tuyau de charge pour le modèle R410A/R454B
Scie-cloche de 2-15/16 in. (75 mm)	Coupe-tuyau avec alésoir
	Bouteille d'eau
	Clé dynamométrique 0,9 à 1,0 l d'eau
	Clé à ouverture fixe (ou clé simple)

1. AVANT L'INSTALLATION

SIGNIFICATION DES SYMBOLES AFFICHÉS SUR L'UNITÉ INTERNE ET/OU SUR L'UNITÉ EXTERNE

	Classe de sécurité du réfrigérant A2L	AVERTISSEMENT (Risque d'incendie)	Cette unité utilise un réfrigérant inflammable. Si le réfrigérant fuit et entre en contact avec une flamme ou une pièce chaude, il produira un gaz toxique et un incendie risqué de se déclencher.
	Veuillez lire la NOTICE D'UTILISATION avec soin avant utilisation.		
	Le personnel d'entretien est tenu de lire avec soin la NOTICE D'UTILISATION et le MANUEL D'INSTALLATION avant utilisation.		
	De plus amples informations sont disponibles dans la NOTICE D'UTILISATION, le MANUEL D'INSTALLATION et documents similaires.		

1-1. INSTRUCTIONS A TOUJOURS RESPECTER PAR MESURE DE SECURITE

- Veillez à lire les présentes instructions et consignes de sécurité.
- Veillez à respecter les avertissements et mises en garde spécifiés ici.
- Avant de commencer la configuration de l'INTERFACE SANS FIL, vérifiez les consignes de sécurité dans les INSTRUCTIONS DE FONCTIONNEMENT du climatiseur.
- Après la lecture de ce manuel, veillez à le conserver avec les INSTRUCTIONS DE FONCTIONNEMENT pour référence ultérieure.
- Avant de brancher cet équipement au système d'alimentation, signalez-le au distributeur d'électricité ou demandez son accord.
- Pour les systèmes avec un boîtier de dérivation, SYSTEME DE DETECTION DE FUITES installé. L'unité doit être sous tension sauf pour l'entretien. Ce capteur de réfrigérant doit uniquement être remplacé par un capteur approuvé par le fabricant.

AVERTISSEMENT (Pouvant entraîner des blessures graves, voire la mort.)

- **N'installez pas l'unité vous-même (utilisateur).**
Une installation incorrecte ou incomplète peut être à l'origine d'un incendie, d'un choc électrique ou de blessures à la suite de la chute de l'unité ou de fuites d'eau. Contactez un technicien qualifié ou le revendeur à qui vous avez acheté l'unité.
- **Suivez les instructions détaillées dans le manuel d'installation.**
Une installation incomplète peut être à l'origine d'un incendie, d'un choc électrique ou de blessures à la suite de la chute de l'unité ou de fuites d'eau.
- **Lors de l'installation de l'appareil, utiliser l'équipement de protection et les outils adéquats, par mesure de sécurité.**
Le non-respect de ces recommandations peut être à l'origine de blessures.
- **Installez solidement l'unité dans un endroit capable de supporter son poids.**
Si l'emplacement d'installation ne peut pas supporter le poids de l'unité, celle-ci risque de tomber et de provoquer des blessures.
- **Ne pas modifier l'appareil.**
Cela pourrait provoquer un risque d'incendie, d'électrocution, de blessure ou de fuite d'eau.
- **Exécutez les travaux électriques selon le manuel d'installation et veillez à utiliser un circuit unique. Ne branchez pas d'autres appareils électriques au circuit.**
Un circuit électrique d'une capacité insuffisante ou des travaux électriques incomplets peuvent être à l'origine d'un incendie ou d'un choc électrique.
- **Raccordez correctement l'unité à la terre.**
Ne branchez pas le fil de terre à un tuyau de gaz ou d'eau, à un paratonnerre ou à la ligne de terre téléphonique. Une mise à la terre défectueuse peut entraîner un choc électrique.
- **Veillez à ne pas endommager les câbles.**
Des câbles endommagés peuvent provoquer un incendie.
- **Veillez à toujours couper l'alimentation principale lors de la configuration de la carte à circuits imprimés interne ou du câblage.**
Le non-respect de cette recommandation peut entraîner un choc électrique.
- **Utilisez les câbles spécifiés pour raccorder en toute sécurité les unités interne et externe. Fixez les câbles solidement pour éviter toute pression sur le bloc de raccordement.**
Un raccordement incorrect peut provoquer un incendie.
- **N'installez pas l'unité dans un endroit exposé à des fuites de gaz inflammable.**
La fuite ou l'accumulation de gaz autour de l'unité peut entraîner une explosion.
- **N'utilisez pas de raccord intermédiaire ou de rallonge pour brancher le cordon d'alimentation. Ne branchez pas plusieurs appareils à une prise secteur.**
Cela peut provoquer un incendie ou un choc électrique.
- **Utilisez les pièces fournies ou spécifiées lors des travaux d'installation.**
L'utilisation de pièces défectueuses peut être à l'origine de blessures ou de fuites d'eau dues à un incendie, un choc électrique, la chute de l'unité, etc.
- **Lors du branchement de la fiche d'alimentation dans la prise secteur, vérifiez qu'aucune poussière, saleté ni d'éléments desserrés n'est présent sur la prise et la fiche. Veillez à enfoncer à fond la fiche d'alimentation dans la prise secteur.**
La présence de poussière, de saleté ou d'éléments desserrés sur la fiche d'alimentation ou la prise secteur peut entraîner un choc électrique ou un incendie. Remplacez les éventuels éléments desserrés.
- **Fixez correctement le couvercle de l'affichage de l'unité interne et le panneau de service de l'unité externe.**
Si le couvercle de l'affichage de l'unité interne et/ou le panneau de service de l'unité externe sont mal fixés, ils risquent de provoquer un incendie ou une électrocution en raison de la poussière, de l'eau, etc. présentes dans le circuit.
- **Lors de l'installation, du déplacement ou de l'entretien de l'appareil, veiller à ce qu'aucune substance autre que le réfrigérant spécifié (R454B) ne pénètre dans le circuit de réfrigération.**
La présence d'une substance étrangère, comme de l'air dans le circuit, peut provoquer une augmentation anormale de la pression et causer une explosion, voire des blessures. L'utilisation de réfrigérant autre que celui qui est spécifié pour le système provoquera une défaillance mécanique, un mauvais fonctionnement du système, ou une panne de l'appareil. Dans le pire des cas, la sécurité du produit pourrait être gravement mise en danger.
- **Ne libérez pas le réfrigérant dans l'atmosphère. Vérifiez l'absence de fuites de gaz réfrigérant une fois l'installation terminée. En cas de fuite de réfrigérant pendant l'installation, aérez la pièce.**
Si le réfrigérant entre en contact avec un feu, des substances toxiques peuvent se dégager. Si le réfrigérant entre en contact avec la flamme d'un appareil de chauffage à ventilation, chauffage d'appoint, poêle, etc., des substances toxiques peuvent se dégager.
- **Utilisez les outils et l'équipement de tuyauterie adaptés à l'installation.**
La pression du réfrigérant R454B est 1,6 fois supérieure à celle du R22. L'utilisation d'outils et d'équipements non adaptés ou une installation incomplète peut provoquer l'éclatement des tuyaux et blesser quelqu'un.
- **Lorsque le circuit de réfrigération présente une fuite, ne pas effectuer la purge à l'aide du compresseur. Pendant la purge du réfrigérant, arrêter le compresseur avant de débrancher les tuyaux de réfrigérant.**
Si les tuyaux de réfrigérant sont débranchés alors que le compresseur fonctionne et si le robinet d'arrêt est ouvert, de l'air pourrait être aspiré et la pression du cycle de réfrigération pourrait augmenter de façon anormale, entraînant l'explosion des tuyaux.
- **Fixez correctement le câble de connexion à l'emplacement indiqué.**
Une installation incorrecte risque d'être à l'origine d'un choc électrique, d'un incendie et/ou d'un dysfonctionnement.
- **Pendant l'installation de l'unité, branchez correctement les tuyaux de réfrigérant avant de lancer le compresseur.**
Si le compresseur démarre avant le branchement des tuyaux de réfrigérant et si le robinet d'arrêt est ouvert, de l'air pourrait être aspiré et la pression du cycle de réfrigération pourrait augmenter de façon anormale, entraînant l'explosion des tuyaux.
- **Fixez un écrou évasé avec une clé dynamométrique comme spécifié dans ce manuel.**
S'il est trop serré, il risque de se rompre et de provoquer une fuite de réfrigérant.
- **Installez l'unité conformément aux normes électriques nationales.**
- **Lors de l'ouverture ou de la fermeture de la vanne à des températures négatives, du réfrigérant peut gicler de l'espace entre la tige de vanne et le corps de vanne et provoquer des blessures.**

Cette notice ne décrit que l'installation de l'unité interne.
Pour l'installation de l'unité externe, se reporter à la notice d'installation de l'appareil.

AVERTISSEMENT (Pouvant entraîner des blessures graves, voire la mort.)

- **Faites attention quand vous utilisez une source de chaleur auxiliaire et suivez toutes les instructions du fabricant tiers ainsi que les directives de sécurité pour l'installation et l'utilisation.**

Toute source de chaleur auxiliaire connectée à cette unité par la connexion CN24 doit être dotée d'un mécanisme de contrôle de la température indépendant. Tout manquement au montage et à l'entretien de ce mécanisme de contrôle de la température peut annuler la garantie de cette unité.

Mitsubishi Electric n'acceptera aucune obligation de garantie ni aucune autre responsabilité en cas de dommage ou de perte en connexion avec ces chauffeuses auxiliaires tiers.

- **Lorsque vous utilisez un brûleur à gaz ou un autre appareil produisant des flammes, extrayez complètement le réfrigérant du climatiseur et veillez à ce que la zone soit bien ventilée.**

Si le réfrigérant fuit et entre en contact avec une flamme ou une pièce chaude, il produira un gaz toxique et un incendie risque de se déclencher.

- **Ne faites usage d'aucun moyen visant à accélérer le processus de dégivrage ou à nettoyer autre que ceux recommandés par le fabricant.**

- **L'appareil doit être rangé dans une pièce ne contenant aucune source d'allumage continue (exemple : flammes nues, appareil à gaz ou chauffage électrique).**

- **Ne percez pas et ne brûlez pas l'appareil.**

- **Sachez que les réfrigérants peuvent être inodores.**

- **La tuyauterie doit être protégée contre tout dommage physique et être conforme aux codes et normes nationaux et locaux.**

- **L'installation de la tuyauterie doit être limitée au strict minimum.**

- **Gardez les ouvertures de ventilation libres d'obstruction.**

- **Tenir les appareils à gaz, les radiateurs électriques et autres sources d'incendie (sources d'inflammation) à l'écart des lieux où l'installation, les réparations et autres travaux sur le climatiseur seront effectués.**

- **Raccorder correctement le climatiseur à la terre.**

Ne pas raccorder le câble de terre à un tuyau de gaz, une conduite d'eau, un paratonnerre ou le câble de terre d'un téléphone. Une mise à la terre défectueuse pourrait entraîner un risque d'électrocution.

- **Poser un disjoncteur de fuites à la terre selon l'endroit où le climatiseur sera monté.**

L'absence d'un disjoncteur de fuites à la terre peut entraîner des risques d'électrocution.

- **Risque d'incendie. Réfrigérant inflammable utilisé. Les réparations doivent uniquement être réalisées par des membres du personnel de maintenance formés. Ne percez pas les tuyaux de réfrigérant. Mettez-les au rebut dans le respect des réglementation fédérales ou locales.**

- **Ne coupez pas le disjoncteur, sauf pour l'entretien. Si l'erreur indiquant une fuite de réfrigérant s'affiche, contrôlez l'unité interne une fois le VENTILATEUR arrêté.**

- **La tuyauterie doit être protégée contre tout dommage physique.**

- **Les réglementations nationales sur les gaz doivent être respectées.**

- **La tuyauterie, y compris le matériau des tuyaux, l'acheminement des tuyaux et l'installation doit inclure une protection contre les dommages physiques pendant le fonctionnement et l'entretien, et doit être conforme aux codes et normes nationaux et locaux tels que ASHRAE 15, ASHRAE 15.2, le Code mécanique uniforme IAPMO, le Code mécanique international ICC ou CSA B52.**

- **Tous les raccords réalisés sur place doivent être accessibles pour inspection avant d'être couverts ou enfermés.**

Zone ventilée

- **Assurez-vous que la zone est à ciel ouvert ou suffisamment ventilée avant de pénétrer dans le système ou de procéder à des travaux à chaud. Un certain niveau de ventilation doit être maintenu pendant la période de réalisation du travail.**

La ventilation doit disperser en toute sécurité tout réfrigérant libéré et, de préférence, l'expulser à l'extérieur dans l'atmosphère.

Pour l'interface sans fil

- **N'installez pas l'unité interne équipée de l'interface sans fil à proximité de dispositifs de commande automatique comme des portes automatiques ou des alarmes d'incendie.**

Ceci pourrait provoquer un accident à cause de dysfonctionnements.

- **N'utilisez pas l'unité interne équipée de l'interface sans fil à proximité d'un appareil électrique médical ou de personnes portant un dispositif médical tel qu'un stimulateur cardiaque ou un défibrillateur automatique implantable.**

Il pourrait provoquer un accident en cas de dysfonctionnement de l'appareil médical ou du dispositif.

- **Cette unité interne équipée de l'interface sans fil doit être installée et utilisée en laissant une distance minimale de 8 in. (20 cm) entre le dispositif et l'utilisateur ou les personnes présentes.**

Pour les systèmes avec boîtier de dérivation

- **Ne coupez pas le disjoncteur sauf en cas d'odeur de brûlé ou lors des travaux de maintenance ou d'inspection.**

Le capteur de réfrigérant monté dans l'unité interne ne recevrait plus d'alimentation et ne pourrait pas détecter la fuite de réfrigérant. Ceci pourrait provoquer un incendie.

ATTENTION (Pouvant entraîner des blessures graves si l'unité n'est pas utilisée correctement.)

- **Installez un disjoncteur de fuites à la terre selon l'endroit d'installation.**

Si le disjoncteur de fuites à la terre n'est pas installé, un choc électrique peut se produire.

- **Réalisez les travaux de vidange/tuyauterie conformément au manuel d'installation.**

Si les travaux de vidange/tuyauterie ne sont pas réalisés correctement, de l'eau pourrait s'écouler de l'unité et endommager le mobilier.

- **Ne touchez ni l'entrée d'air ni les ailettes en aluminium de l'unité externe.**

Cela peut provoquer des blessures.

- **N'installez pas l'unité externe à proximité de l'habitat de petits animaux.**

Si des petits animaux entrent dans l'unité et endommagent ses composants électriques, ils peuvent provoquer un dysfonctionnement, des émissions de fumée ou un incendie. Nettoyez régulièrement la périphérie de l'unité.

- **Ne faites pas fonctionner le climatiseur pendant des travaux de construction et de finition intérieurs, ou lorsque vous cirez le sol.**

Avant d'utiliser le climatiseur, ventilez bien le local après exécution de ce type de travaux. Dans le cas contraire, des éléments volatils pourraient adhérer à l'intérieur du climatiseur et provoquer une fuite d'eau ou la formation de rosée.

- **Veillez porter un équipement de protection pour toucher la base de l'unité externe.**

Le non-respect du port de l'équipement de protection peut être à l'origine de blessures.

Pour l'interface sans fil

- **Pour éviter tout dommage provoqué par l'électricité statique, touchez un corps métallique se trouvant à proximité pour décharger l'électricité statique de votre corps avant de toucher l'unité interne équipée de l'interface sans fil.**

L'électricité statique provenant du corps humain peut endommager l'interface sans fil.

- **N'utilisez pas l'unité interne équipée de l'interface sans fil à proximité d'autres dispositifs sans fil, de fours à microondes, de téléphones sans fil ou de télécopieurs.**

Ceci pourrait provoquer des dysfonctionnements.

- **Avant de commencer l'installation de cette unité interne équipée de l'interface sans fil, l'utilisateur final doit lire et accepter les termes et conditions du service LAN sans fil.**

Pour les systèmes avec boîtier de dérivation

- **N'installez pas l'unité dans un endroit où de la fumée, des gaz ou des produits chimiques peuvent s'accumuler.**

Le capteur de réfrigérant monté dans l'unité interne peut réagir à ces substances et afficher une erreur de fuite de réfrigérant.

- **Faites attention à la rotation du ventilateur quand le disjoncteur est activé.** Lorsque le capteur de réfrigérant détecte la fuite de réfrigérant, le ventilateur démarre automatiquement. Cela risque d'entraîner des blessures.

- **Lorsque vous utilisez un aérosol pour la construction intérieure, les travaux de finition ou le scellement d'une ouverture murale, coupez le disjoncteur et ventilez bien la pièce. Le capteur de réfrigérant peut réagir au gaz contenu dans les aérosols, ce qui peut provoquer une fausse détection.**

1-2. CHOIX DE L'EMPLACEMENT D'INSTALLATION

UNITE INTERNE

AVERTISSEMENT

- La hauteur de montage de l'unité interne doit être d'au moins 7 ft (2,2 m) par rapport au sol.
- L'unité doit être installée dans des pièces dont la superficie dépasse la superficie minimale (A_{\min}) déterminée par quantité totale de réfrigérant (M).

SYSTEME SANS BOITIER DE DERIVATION

M		A_{\min}	
[kg]	[lb, oz]	A_{\min} [m ²]	A_{\min} [ft ²]
0,5	1 : 1	1,9	21
0,6	1 : 5	2,3	25
0,7	1 : 8	2,6	28
0,8	1 : 12	3,0	33
0,9	1 : 15	3,4	37
1,0	2 : 3	3,8	41
1,1	2 : 6	4,1	45
1,2	2 : 10	4,5	49
1,3	2 : 13	4,9	53
1,4	3 : 1	5,2	56
1,5	3 : 4	5,6	61
1,6	3 : 8	6,0	65
1,7	3 : 11	6,3	68
1,8	3 : 15	6,7	73
1,9	4 : 3	7,1	77
2,0	4 : 6	7,5	81
2,1	4 : 10	7,8	84
2,2	4 : 13	8,2	89
2,3	5 : 1	8,6	93
2,4	5 : 4	8,9	96
2,5	5 : 8	9,3	101
2,6	5 : 11	9,7	105
2,7	5 : 15	10,0	108
2,8	6 : 2	10,4	112

SYSTEME AVEC BOITIER DE DERIVATION

Consultez le manuel d'installation de l'unité multiple.

TELECOMMANDE

- Les conditions suivantes sont préférables pour ranger une télécommande :
- Emplacement dont l'accès est facile et visible.
 - Emplacement hors de portée des enfants.
 - Choisissez un emplacement se trouvant à 4 ft. (1,2 m) au dessus du sol environ, assurez-vous que l'unité interne reçoit sans problème les signaux envoyés par la télécommande à partir de cet emplacement (un ou deux signaux sonores indiquent que la réception est bonne). Puis, fixez le support de la télécommande sur un pilier ou un mur et placez-y la télécommande sans fil.

Remarque :

L'unité interne peut ne pas recevoir les signaux de la télécommande dans une pièce dont le système d'éclairage est à lampes fluorescentes à oscillateur intermittent.

Remarque :

Pour éviter tout problème de fonctionnement, évitez d'installer le climatiseur dans les endroits suivants :

- En présence de fuites de gaz inflammable.
- En présence d'une grande quantité d'huile de machine.
- Dans des endroits exposés à des projections d'huile ou dont l'atmosphère est chargée d'huile (tels que les centres de cuisson et les usines susceptibles de modifier et d'altérer les caractéristiques du plastique).
- Dans les régions où l'air est très salin, comme en bord de mer.
- En présence de gaz sulfurés qui se dégagent par exemple des sources chaudes ou des eaux usées.
- En présence d'équipements haute fréquence ou sans fil.
- En présence d'émissions importantes de COV (composés organiques volatiles), dont les composés de phtalate, le formaldéhyde etc., qui peuvent provoquer un craquage chimique.
- L'appareil sera entreposé de manière à prévenir tout dommage mécanique.

Les conditions suivantes doivent être présentes lors de l'installation des unités internes :

- Emplacement favorisant la circulation de l'air.
- Emplacement favorisant une bonne répartition de l'air froid (ou chaud) dans la pièce.
- Emplacement ne favorisant pas une exposition aux rayons directs du soleil. Ne pas exposer aux rayons directs du soleil pendant la période entre le déballage et l'utilisation.
- Emplacement permettant d'effectuer facilement la vidange de l'appareil.
- Emplacement à une distance de 3 ft. (1 m) minimum du téléviseur et du poste de radio. Le fonctionnement du climatiseur peut interférer avec la réception radio ou TV. Il peut s'avérer nécessaire de brancher un amplificateur sur l'appareil concerné.
- Emplacement aussi éloigné que possible des lampes fluorescentes et à lumière incandescente. Ceci afin que le climatiseur puisse capter les signaux infrarouges envoyés par la télécommande. La chaleur générée par ces lampes peut entraîner une déformation ou les ultraviolets peuvent entraîner une détérioration.
- Emplacement permettant de retirer et de changer facilement le filtre à air.
- Emplacement éloigné de sources de chaleur ou de vapeur.

Pour l'interface sans fil

- Avant de commencer l'installation de cette unité interne équipée de l'interface sans fil, veuillez vous assurer que le routeur prend en charge le chiffrement WPA2-AES.
- Cette unité interne équipée de l'interface sans fil ne doit être installée et connectée à aucun système Mitsubishi Electric destiné à fournir un refroidissement ou un chauffage essentiel à une application.

Pour les systèmes avec boîtier de dérivation

- N'installez pas l'unité dans un environnement où sont utilisés des équipements au gaz propane, butane ou méthane, des aérosols comme par exemple des insecticides, des appareils générant de la fumée, des peintures et des produits chimiques, ou à un endroit où un gaz à base de soufre est généré.
- Le capteur de réfrigérant monté dans l'unité interne peut réagir à ces substances et afficher une erreur de fuite de réfrigérant. Cela pourrait empêcher l'unité de fonctionner.

Remarque :

Installez l'unité interne à une certaine hauteur sur le mur pour répartir l'air uniformément dans la pièce.

1-3. FICHE TECHNIQUE

1-3-1. BRANCHEMENT DU CABLE DE CONNEXION DE L'UNITE INTERNE/EXTERNE

- Les travaux de câblage doivent respecter les normes techniques en vigueur.
- Les raccordements doivent correspondre au schéma de câblage.
- Serrez fermement les vis.

Raccordement des câbles et du câble de terre

- Utiliser un conducteur massif min. AWG14 ou un conducteur toronné min. AWG14.
- Utilisez un câble en cuivre à double blindage avec isolation 600 V.
- Utilisez des conducteurs en cuivre uniquement.
 - * Respectez la réglementation électrique locale en vigueur.

Remarque :

Lorsque l'unité interne est alimentée par l'unité externe, vous devez installer un sectionneur sur un circuit électrique conformément à la réglementation locale en vigueur.

1-3-2. CONDUITES DE REFRIGERANT

- Pour éviter la formation de condensation, isolez les deux conduites de réfrigérant.

Remarque :

L'unité doit être installée par un professionnel/électricien autorisé. Si les réglementations nationales, de l'état et locales applicables l'exigent, il faudra installer un sectionneur quand l'unité interne est alimentée par l'unité externe.

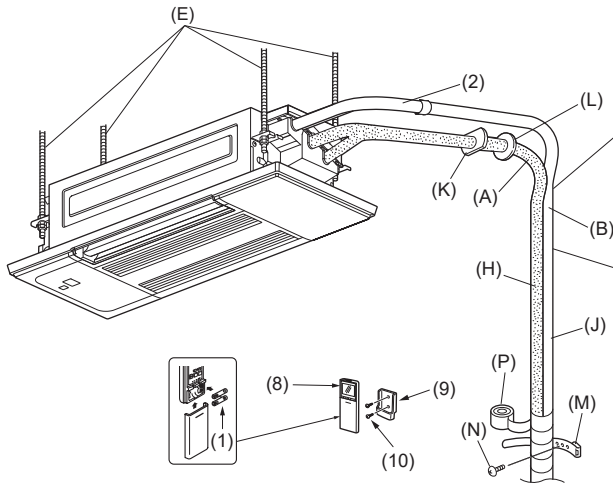
- L'unité comporte des raccordements évasés sur les faces intérieure et extérieure.
- Retirez le couvercle de vanne de l'unité externe et raccordez le tuyau.
- Les conduites de réfrigérant servent à raccorder les unités interne et externe.
- Veillez à ne pas écraser ni plier de manière excessive le tuyau lors de sa mise en forme.

Spécifications électriques

UNITE INTERNE	
Alimentation (V, PHASE, Hz)	208/230, 1, 60
Intensité min. du circuit (A)	1,0
Moteur du ventilateur (F.L.A.) (A)	0,68

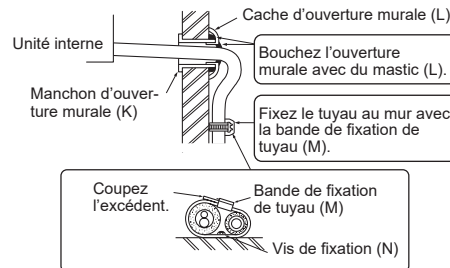
Tuyau		Diamètre extérieur	Épaisseur minimum du mur	Épaisseur de l'isolation	Matériau d'isolation
Pour les liquides	MLZ-KX06NL	1/4 (6,35)	0,0315 (0,8)	5/16 (8)	Plastique expansé résistant à la chaleur d'une densité spécifique de 0,045
Pour le gaz		3/8 (9,52)	0,0315 (0,8)	5/16 (8)	

1-4. SCHEMA D'INSTALLATION



Ces unités doivent être installées par des entrepreneurs agréés conformément aux réglementations locales en vigueur.

Veillez à utiliser le manchon d'ouverture murale (K) pour éviter tout contact entre le câble de connexion de l'unité interne/externe (D) et les pièces métalliques du mur ou toute détérioration causée par les rongeurs si le mur est creux.



Après le test de contrôle des fuites, appliquez soigneusement du matériau isolant pour obstruer les trous.

Si la tuyauterie doit être fixée sur un mur contenant des métaux (de l'étain par ex.) ou un treillis métallique, utilisez un morceau de bois traité d'une épaisseur de 3/4 in. (20 mm) minimum entre le mur et la tuyauterie ou isolez la tuyauterie en lui appliquant 7 à 8 couches de ruban adhésif en vinyle.

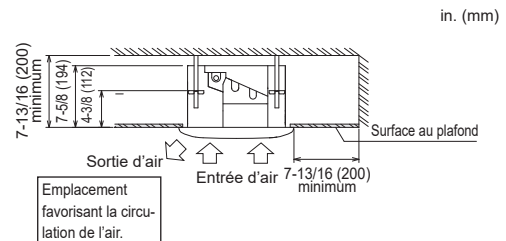
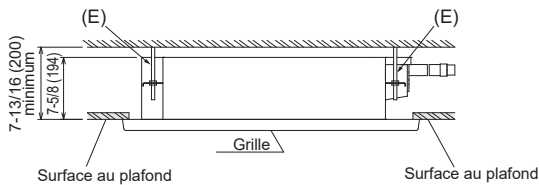
Si vous désirez utiliser la tuyauterie existante, effectuez un cycle de REFROIDISSEMENT de 30 minutes et lancez l'aspiration avant de procéder à la dépose de l'ancien climatiseur. Reformez l'écrou évasé en respectant les dimensions des nouveaux tuyaux de réfrigérant.

REMARQUES IMPORTANTES

Vérifiez que les câbles ne seront pas soumis à aucun des éléments suivants : usure, corrosion, pression excessive, vibrations, arêtes aiguës ou autres effets environnementaux négatifs. Le contrôle tiendra également compte des effets du vieillissement ou des vibrations continues provenant de sources telles que les compresseurs ou les ventilateurs.

Espace d'entretien

- Les dimensions de l'ouverture au plafond peuvent être comprises dans la plage figurant sur le schéma suivant. Par conséquent, centrer l'unité principale dans l'ouverture en veillant à ce que le dégagement des côtés opposés respectifs soit identique.



ACCESSOIRES

Contrôler les pièces suivantes avant l'installation.

(1)	Pile alcaline (AAA) pour (8)	2
(2)	Tuyau de vidange (avec isolation)	1
(3)	Rondelle spéciale (avec joint, 4 pièces)	8
(4)	Modèle d'installation	1
(5)	Vis de fixation pour (4) M5 × 30 mm	4
(6)	Bande	1
(7)	Vis de fixation pour (6) 4 × 16 mm	2
(8)	Télécommande (Version anglaise)	1
(9)	Support de la télécommande	1
(10)	Vis de fixation pour (9) 3,5 × 16 mm (noire)	2
(11)	Interface sans fil	1
(12)	Collier du câble de montage	1
(13)	Vis de fixation pour (12) 4 × 12 mm	1

PIECES A SE PROCURER SUR LE SITE D'INSTALLATION

(A)	Tuyau de réfrigérant	1
(B)	Tuyau de vidange (diamètre extérieur de 1 in. (26 mm))	1
(C)	Outils d'installation (voir 1-3.)	1
(D)	Câble de connexion de l'unité interne/externe*	1
(E)	Boulon de suspension (W3/8)	4
(F)	Ecrou avec collerette (W3/8)	8
(G)	Ecrou (W3/8)	4
(H)	Matériau isolant pour (A) (mousse de polyéthylène thermique, gravité spécifique de 0,045, épaisseur supérieure à 1/2 in. (14 mm))	1
(J)	Matériau isolant pour (B) (mousse de polyéthylène, gravité spécifique de 0,03, épaisseur supérieure à 3/8 in. (10 mm))	1

(K)	Manchon d'ouverture murale	1
(L)	Pièces pour le rebouchage de l'ouverture murale (mastic, cache)	1
(M)	Bande de fixation de tuyau	2 à 7
(N)	Vis de fixation pour (M)	2 à 7
(P)	Ruban adhésif de tuyauterie	1 à 5

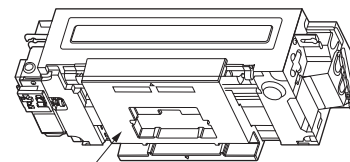
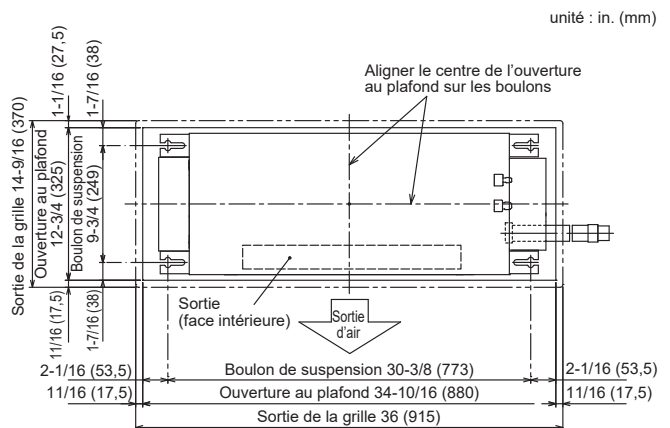
* Remarque :

Placer le câble de connexion de l'unité interne/externe (D) à 3 ft. (1 m) minimum du câble de l'antenne TV.

2. INSTALLATION DE L'UNITÉ INTERNE

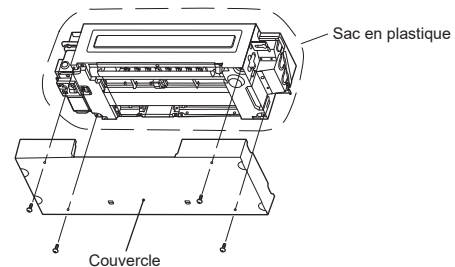
2-1. EMPLACEMENT D'INSTALLATION DES OUVERTURES AU PLAFOND ET BOULON DE SUSPENSION

- Installer l'appareil intérieur à 7 ft. (2,2 m) au moins au-dessus du sol ou sur un plan surélevé.
- Pour les appareils qui ne sont pas accessibles au public.
- La connexion des tuyaux de réfrigérant sera accessible aux fins de maintenance.
- Réaliser une ouverture dans le plafond de 12-3/4 × 34-10/16 in. (325 mm × 880 mm). Celle-ci fait office de fenêtre de visite et sera nécessaire pour les entretiens à venir.
- Si les dimensions ne sont pas précisément respectées, il risque d'y avoir un jeu entre l'unité interne et la grille lors de l'installation de celle-ci. Ce qui pourrait entraîner une fuite d'eau ou d'autres problèmes.
- Lors du choix de l'emplacement, tenir compte de l'espace disponible en comptant large.
- La structure du bâtiment diffère selon le type de plafond. Par conséquent, consultez l'entrepreneur et le décorateur.
- A l'aide du modèle d'installation (4) (au-dessus de l'emballage) et de la jauge (fournie comme accessoire avec la grille), réaliser une ouverture dans le plafond afin de pouvoir installer l'unité principale comme indiqué sur le schéma. (La méthode d'utilisation du modèle et de la jauge y figure.)
- Utiliser des boulons de suspension W3/8 (E).
- Une fois l'unité interne suspendue, connecter les tuyaux et câbles au-dessus du plafond. Une fois que l'emplacement et le sens des tuyaux ont été déterminés, placer les tuyaux de réfrigérant et de vidange, ainsi que le câble qui connecte les unités interne et externe à l'emplacement voulu avant de suspendre l'unité interne. Ceci est particulièrement important lorsque le plafond existe déjà.



Matériau d'emballage (surface d'appui)

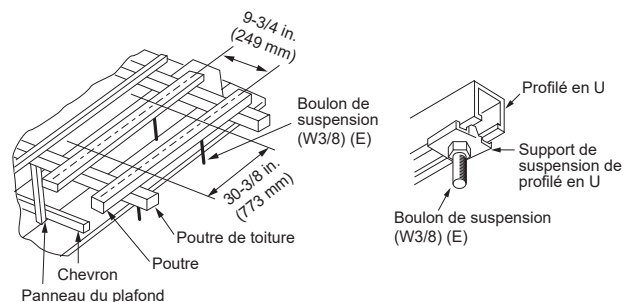
- Retirez le matériau d'emballage (surface d'appui) avant d'installer le sac en plastique et le couvercle.
- Pour empêcher la pénétration de poussière, protégez l'appareil interne en le couvrant à l'aide du sac en plastique et du couvercle.
- Retirez le sac en plastique et le couvercle avant d'installer la grille (en option).



Couvercle

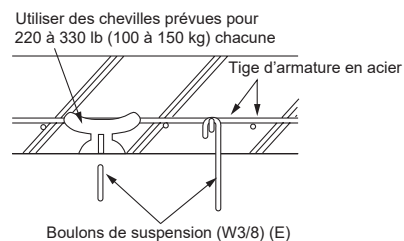
1) Structures en bois

- Utiliser des tirants (maisons de plain-pied) ou des poutres pour l'étage (maisons à étage) comme éléments de renfort.
- Les poutres en bois utilisées pour suspendre le climatiseur doivent être robustes et mesurer au moins 2-5/16 in. (60 mm) de côté si elles sont installées à moins de 35-3/8 in. (900 mm) l'une de l'autre. Si les poutres se trouvent à une distance de 6 ft. (1800 mm) l'une de l'autre, elles doivent mesurer au moins 3-1/2 in. (90 mm) de côté.
- Utiliser un profilé en U, un conduit ainsi que d'autres pièces achetées auprès d'un revendeur local pour suspendre l'unité interne.



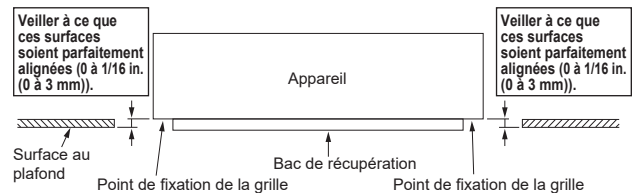
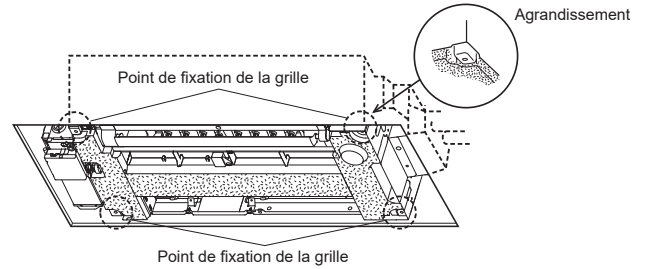
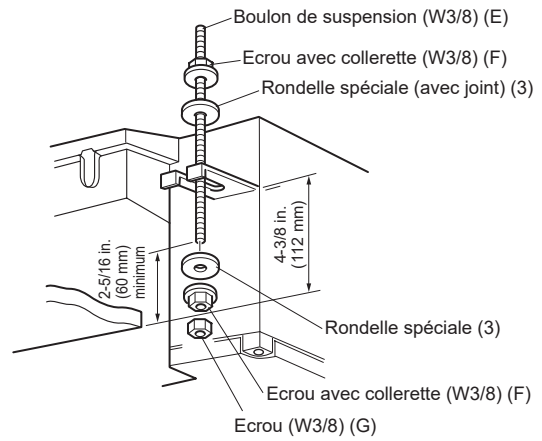
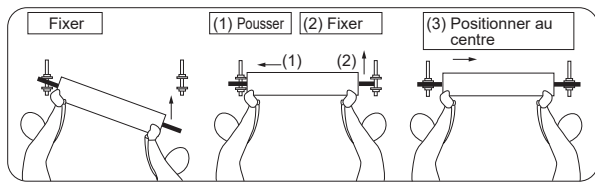
2) Structures en béton armé

- Fixer les boulons de suspension comme illustré ou utiliser des supports en acier ou en bois, etc. pour le faire (E).
- Si l'unité est posée, surface inférieure vers le bas, placer en dessous un morceau de matériau d'emballage (surface d'appui) pour éviter d'endommager l'ailette horizontale.



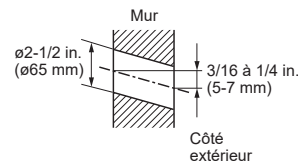
Procédure de suspension de l'unité

- Régler au préalable la longueur du dépassement du boulon de la surface au plafond.
 - Vérifier l'écartement entre les boulons de suspension (E). (9-3/4 × 30-3/8 in. (249 mm × 773 mm))
- 1) Installer la rondelle spéciale (3) et les écrous (F) sur le boulon de suspension (E).
 - * Respecter l'ordre suivant (en partant du haut) : écrou (F), rondelle spéciale avec joint (3), écrou (F), écrou (G).
 - * Placer la rondelle spéciale avec le joint (3), la surface isolée vers le bas, comme sur l'illustration.
 - 2) Soulever l'unité pour la mettre en place et l'aligner correctement sur le boulon de suspension (E). Passer le support entre la rondelle spéciale avec le joint (3) et la rondelle spéciale (3), déjà en place, et le fixer. Faire de même aux quatre extrémités.
 - * Veiller à ce que le boulon de suspension (E) dépasse de 2-3/4 in. (70 mm) au moins de la surface du plafond. Sinon, il ne sera pas possible d'installer la grille (en option).
 - * **Si les points de fixation de la grille dépassent de la surface du plafond, de la condensation peut se former ou le panneau risque de ne pas s'ouvrir/se refermer.**
 - 3) Si l'ouverture dans la longueur du support et l'ouverture du plafond ne sont pas alignées, les faire correspondre.
 - 4) A l'aide d'un niveau à bulle, vérifiez que les quatre points de fixation de la grille sont tous de niveau.
 - 5) Serrer tous les écrous.



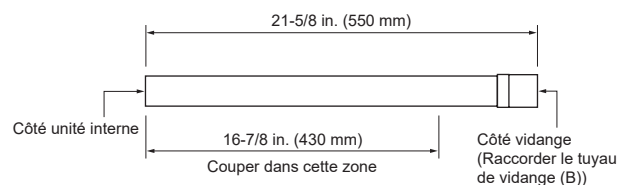
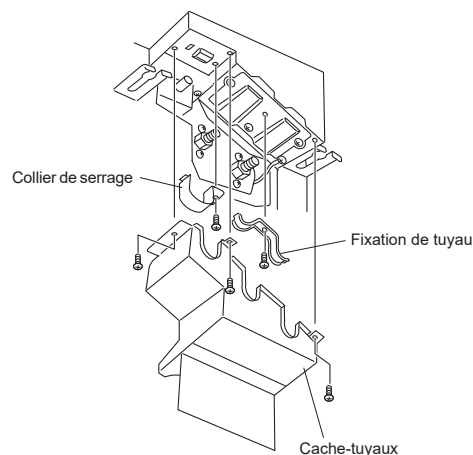
2-2. PERCEMENT D'UNE OUVERTURE

- 1) Déterminer la position de l'ouverture murale.
- 2) Percer un trou de 2-1/2 in. (65 mm) de diamètre. Le côté extérieur doit être 3/16 à 1/4 in. (5 à 7 mm) plus bas que le côté intérieur.
- 3) Insérer le manchon d'ouverture murale (K).

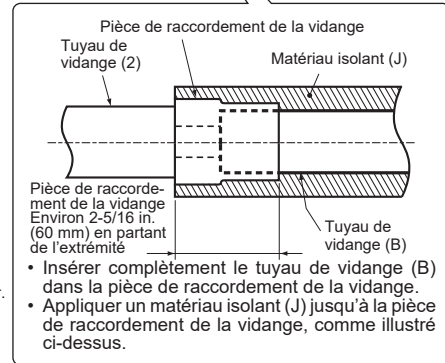
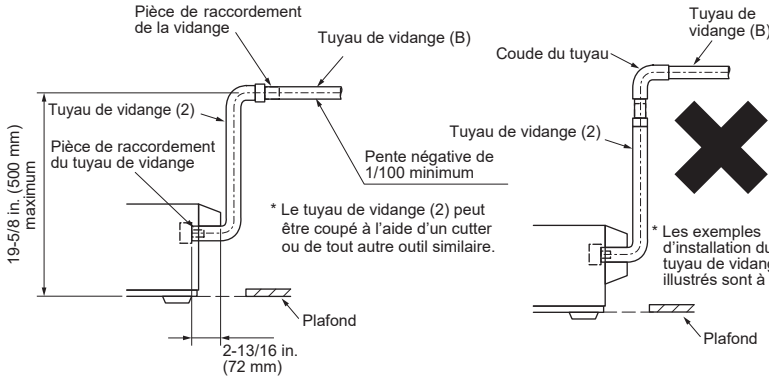
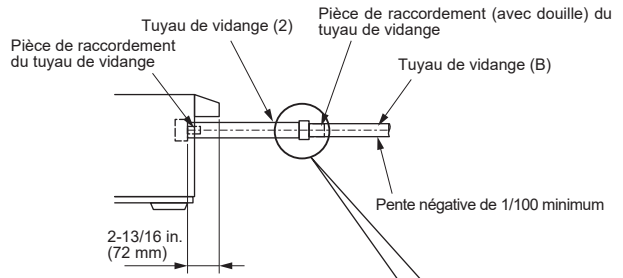


2-3. VIDANGE

- Utiliser un tuyau de vidange (B). Veiller à connecter les raccords de tuyauterie à l'aide d'adhésif de la famille des PVC pour éviter les fuites.
- Avant de procéder à la vidange, retirer le cache-tuyaux, le collier de serrage, la fixation de tuyau et l'entretoise (surface d'appui). Éliminer l'entretoise (surface d'appui) car elle n'est pas nécessaire.
- Le tuyau de vidange (2) a une longueur de 21-5/8 in. (550 mm), la vidange est ainsi accélérée. Couper le tuyau de vidange (2) à la longueur appropriée avant de le raccorder.

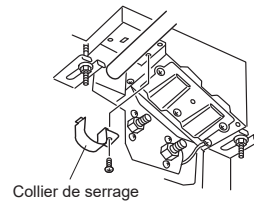


- Raccorder directement le tuyau de vidange (B) à la pièce de raccordement (côté douille) du tuyau de vidange (2).
- Veiller à raccorder le tuyau de vidange (2) à l'unité interne comme indiqué sur l'illustration à droite. Veiller à connecter la pièce de raccordement du tuyau de vidange à l'aide d'adhésif de la famille des PVC pour éviter les fuites.
- Pour monter la sortie de la vidange, fixer d'abord le tuyau de vidange (2) pour qu'il remonte verticalement, puis prévoir une pente négative de 1/100 minimum, comme indiqué sur l'illustration ci-dessous.

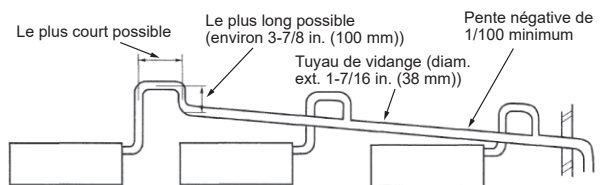
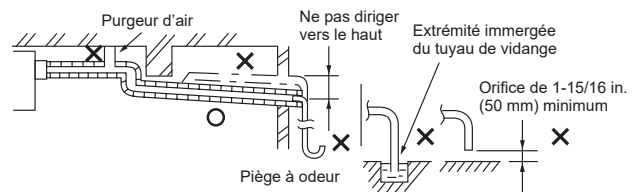
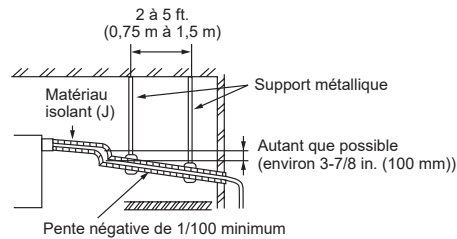


- Si le tuyau de vidange passe à l'intérieur, veiller à appliquer un matériau isolant (J) (mousse de polyéthylène, gravité spécifique de 0,03, épaisseur supérieure à 3/8 in. (10 mm)).

Connecter la pièce de raccordement du tuyau de vidange à l'aide d'adhésif de la famille des PVC avant d'installer le collier de serrage.



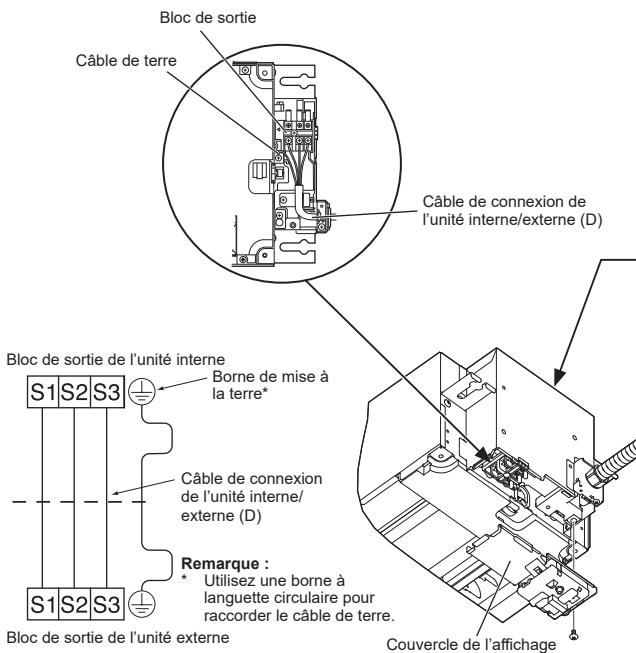
- Appliquer un matériau isolant (J) jusqu'à la pièce de raccordement de la vidange, comme illustré en haut à droite.
- Le tuyau de vidange doit suivre une pente négative (1/100 minimum) vers la sortie de la vidange externe. Ne pas former de siphon ni soulever le tuyau.
- Le tuyau ne doit pas être horizontal sur plus de 65 ft. (20 m). Lorsque le tuyau de vidange est trop long, utiliser un support métallique pour éviter qu'il ne forme une courbe vers le haut ou le bas. Veiller à ne pas installer de purgeur d'air. (Etant donné que le mécanisme de levage est intégré, du liquide de vidange peut être projeté.)
- Un piège à odeur pour la sortie de vidange n'est pas nécessaire.
- Les tuyaux groupés doivent se trouver 3-7/8 in. (100 mm) en dessous de la sortie de la vidange de l'unité, comme sur l'illustration. Utiliser un tuyau de vidange (diam. ext. 1-7/16 in. (38 mm)) pour le regroupement et former une pente négative d'environ 1/100.
- Ne pas placer le tuyau de vidange directement dans un endroit où de l'ammoniac ou du gaz sulfurique se forme, comme dans un réservoir d'eaux usées ou une fosse septique.



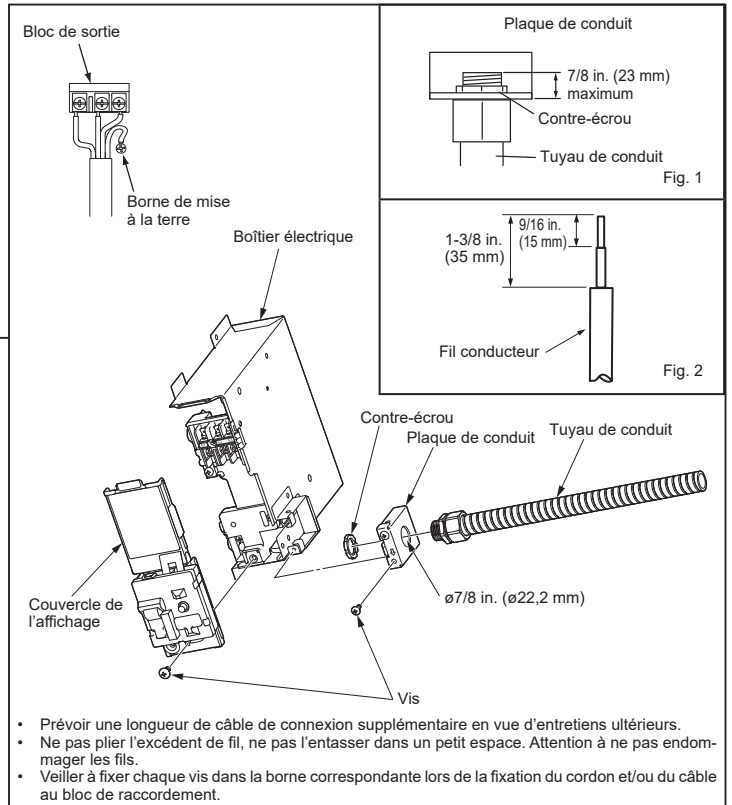
2-4. RACCORDEMENT DES CABLES DE L'UNITÉ INTERNE

Remarque : L'unité doit être installée par un professionnel/électricien autorisé. Si les réglementations nationales, de l'état et locales applicables l'exigent, il faudra installer un sectionneur quand l'unité interne est alimentée par l'unité externe.

- 1) Retirer le couvercle de l'affichage.
- 2) Retirez la plaque de conduit.
- 3) Fixez le tube de canalisation sur la plaque de conduit à l'aide du contre-écrou. Le câble de connexion (D) de l'unité interne/externe qui apparaît à l'intérieur du tube de canalisation doit être inférieur à 7/8 in. (23 mm). (Fig. 1)
- 4) Préparez l'extrémité du câble de terre (Fig. 2). Branchez-la à la borne de mise à la terre du boîtier électrique.
- 5) Préparez l'extrémité du câble de connexion de l'unité interne/externe (D) (Fig. 2). Branchez-la au bloc de raccordement. Veillez à ne pas effectuer d'erreur de branchement. Fixez fermement le câble au bloc de raccordement pour ne pas faire apparaître son noyau et n'appliquez aucune force extérieure à la section de branchement du bloc de raccordement.
- 6) Serrez fermement les vis de fixation. Après l'opération de serrage, vérifiez que les câbles sont bien fixés.
- 7) Reposez la plaque de conduit.
- 8) Passer le câble de connexion de l'unité interne/externe (D) et préparer l'extrémité du câble.
- 9) Desserrer la vis de fixation des bornes, raccorder d'abord le câble de terre, puis le câble de connexion de l'unité interne/externe (D) au bloc de sortie. Veiller à ne pas effectuer d'erreur de branchement. Fixer fermement le câble au bloc de sortie pour ne faire apparaître aucune partie de son noyau et n'appliquer aucune force extérieure à la section de raccordement du bloc de sortie.
- 10) Serrer fermement les vis de fixation des bornes afin d'éviter tout faux contact. Après l'opération de serrage, tirer légèrement sur les câbles pour s'assurer qu'ils sont bien fixés.
- 11) Reposez le couvercle de l'affichage.



- Prévoir une longueur de câble de connexion supplémentaire en vue d'entretiens ultérieurs.



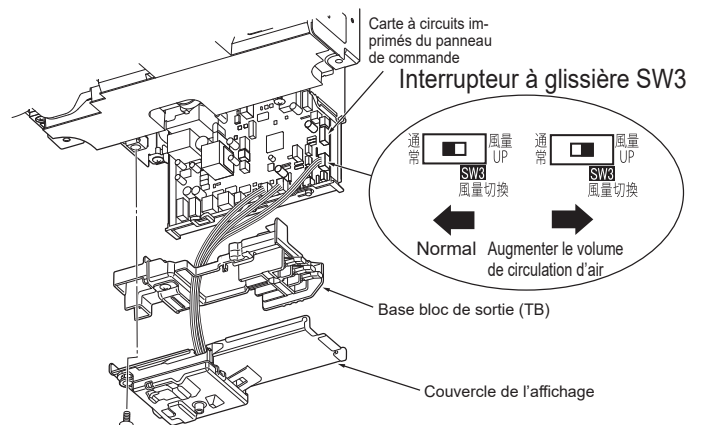
Lorsque la hauteur du plafond est comprise entre 8 ft. (2,4 m) et 9 ft. (2,7 m)
Déplacer l'interrupteur à glissière (SW3) vers la droite pour augmenter le volume de circulation d'air.

* Lorsque la hauteur du plafond dépasse 9 ft. (2,7 m), le volume de circulation d'air risque d'être insuffisant même si l'interrupteur à glissière (SW3) est réglé sur la position pour augmenter le volume de circulation d'air.

- 1) Veiller à ce que le disjoncteur du climatiseur soit éteint.
- 2) Retirer le couvercle de l'affichage de l'unité interne.
- 3) Faites glisser la carte à circuits imprimés du panneau de commande et relevez l'interrupteur à glissière (SW).
- 4) Remettez la carte à circuits imprimés du panneau de commande dans sa position d'origine et reposez le couvercle de l'affichage.

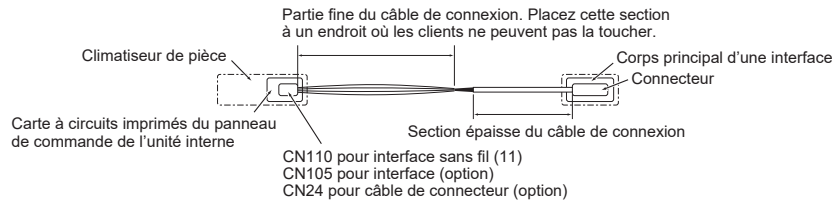
Remarque :

- Procéder à l'élimination de l'électricité statique avant le réglage.
- Le réglage par défaut est Normal.

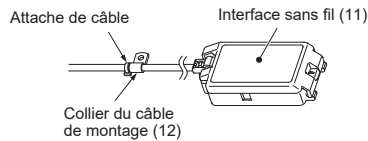


2-5. INSTALLATION DE L'INTERFACE SANS FIL

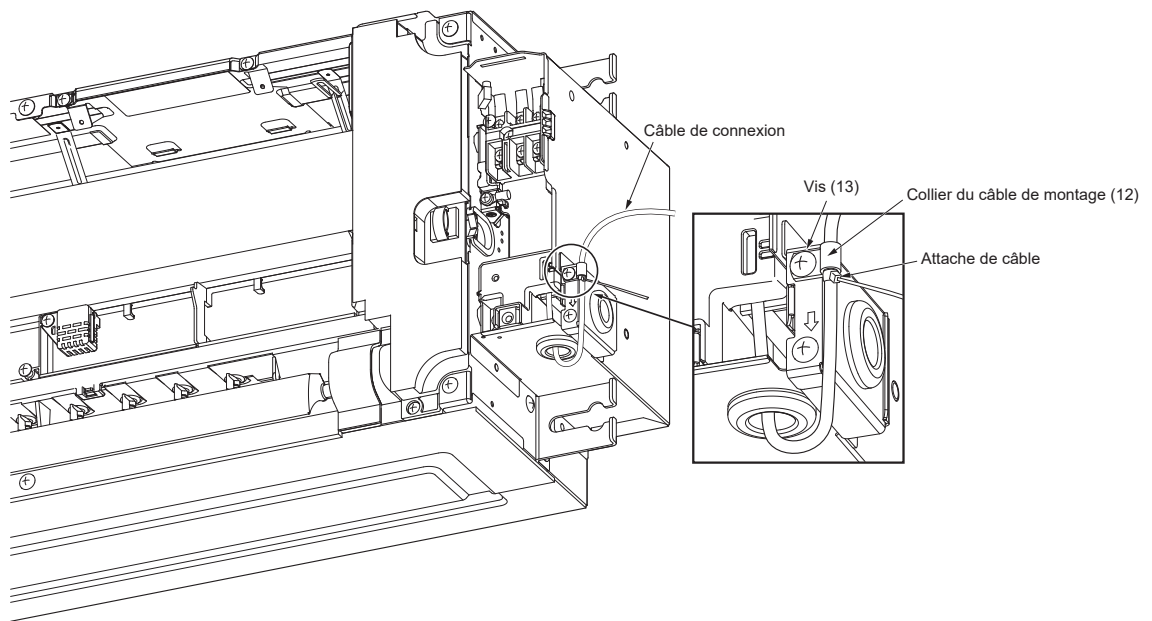
- A l'aide d'un câble de connexion, connectez une interface à la carte à circuits imprimés du panneau de commande de l'unité interne d'un climatiseur.
- Couper ou prolonger le câble de connexion de l'interface entraînera une défaillance de connexion. Ne groupez pas le câble de connexion avec les cordons d'alimentation électrique, les câbles de connexion de l'unité interne/externe et/ou les câbles de mise à la terre. Eloignez autant que possible le câble de connexion de ces câbles.
- La section fine du câble de connexion doit être stockée et placée à un endroit où les clients ne peuvent pas la toucher.
- Lors de l'installation de l'interface sans fil (11), laissez un espace de 5 cm ou plus entre le module et les pièces métalliques de l'unité interne et de l'ossature du bâtiment. Dans le cas contraire, la communication sans fil risque d'être perturbée.



- 1) Avant de connecter l'interface sans fil (11), assurez-vous de déconnecter le câble de connexion de l'unité interne/externe du bloc de raccordement.
- 2) Transcrivez les informations de réglage de l'interface sans fil (11) dans les INSTRUCTIONS DE FONCTIONNEMENT.
- 3) Attachez le collier du câble de montage (12) du côté interface de l'attache de câble.



- 4) Retirez la grille. (si la grille a déjà été installée)
- 5) Retirez le couvercle de l'affichage.
Se reporter à la section 2-4. RACCORDEMENT DES CABLES DE L'UNITE INTERNE.
- 6) Faites glisser le panneau de commande de l'unité interne et raccordez le câble de connexion au connecteur CN110 du panneau de commande de l'unité interne.
- 7) Retirez la vis (13) illustrée sur l'image ci-dessous. Installez le câble de connexion comme indiqué sur l'image ci-dessous. Fixez le collier du câble de montage (12), qui a été attaché au câble de connexion, avec la vis (13).



- 8) Réinstallez le panneau de commande de l'unité interne et le couvercle de l'affichage.
- 9) Installez l'interface sans fil (11) dans des plafonds.
- 10) Réinstallez la grille. (Si la grille a déjà été installée)

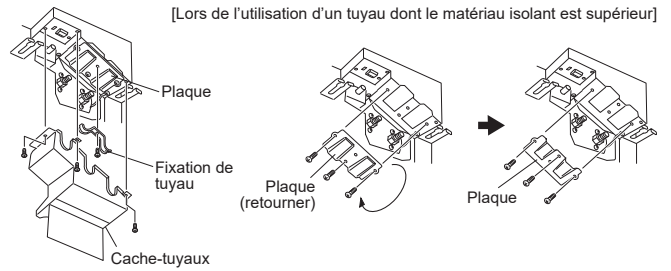
⚠ AVERTISSEMENT

Fixez correctement le câble de connexion à l'emplacement indiqué.
Une installation incorrecte risque d'être à l'origine d'un choc électrique, d'un incendie et/ou d'un dysfonctionnement.

3. TRAVAUX D'ÉVASEMENT ET RACCORDEMENT DES TUYAUX

3-1. TRAVAUX D'ÉVASEMENT

- Retirer le cache-tuyau, le collier de serrage, la fixation de tuyau et l'entretoise (surface d'appui) de l'appareil intérieur. Éliminer l'entretoise (surface d'appui) car elle n'est pas nécessaire.
- Lors de l'utilisation d'un tuyau dont le matériau isolant est supérieur (environ $\phi 1-7/8$ in. ($\phi 48$ mm) pour les tuyaux de liquide et $\phi 2$ in. ($\phi 51$ mm) pour les tuyaux de gaz) pour le raccordement à l'unité interne, retirer la plaque et la retourner pour que sa partie concave soit orientée vers le haut.



[Lors de l'utilisation d'un tuyau dont le matériau isolant est supérieur]

3-2. TRAVAUX D'ÉVASEMENT

- Coupez correctement le tuyau en cuivre avec un coupe-tuyaux. (Fig. 1, 2)
- Ebarbez parfaitement la partie tronçonnée du tuyau. (Fig. 3)
 - Dirigez l'extrémité du tuyau en cuivre vers le bas lors de l'ébarbage de façon à éliminer les bavures de l'intérieur du tuyau.
- Retirez les écrous à évaseement fixés sur les unités interne et externe, puis posez-les sur le tuyau après avoir éliminé toutes les bavures. (il est impossible de les poser après les travaux d'évasement).
- Travaux d'évasement (Fig. 4, 5). Tenez fermement le tuyau de cuivre dans la dimension indiquée dans le tableau. Sélectionnez A en in. (mm) dans le tableau suivant l'outil que vous utilisez.
- Contrôle
 - Comparez les travaux d'évasement avec la Fig. 6.
 - Si l'évasement n'est pas conforme à l'illustration, coupez la partie évasée et refaites l'évasement.

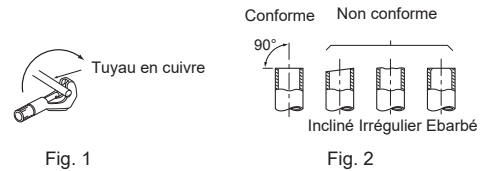


Fig. 1

Fig. 2

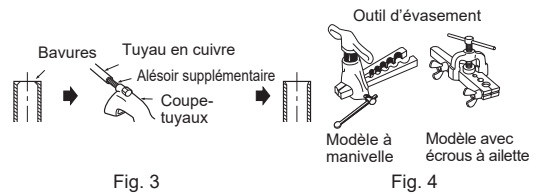


Fig. 3

Fig. 4

Diamètre du tuyau en in. (mm)	B en in. (mm)	A en in. (mm)			Couple de serrage	
		Outil à manivelle pour le modèle R410A/R454B	Outil à manivelle pour le modèle R22	Ecrou à oreilles pour le modèle R22	ft-lb (kgf·cm)	N·m
$\phi 1/4$ (6,35)	21/32 (17)	0 - 0,02 (0 - 0,5)	0,04 - 0,06 (1,0 - 1,5)	0,06 - 0,08 (1,5 - 2,0)	10 - 13 (140 - 180)	14 - 18
$\phi 3/8$ (9,52)	7/8 (22)			25 - 30 (340 - 420)	34 - 42	
$\phi 1/2$ (12,7)	1-1/32 (26)			0,08 - 0,10 (2,0 - 2,5)	35 - 44 (490 - 610)	49 - 61
$\phi 5/8$ (15,88)	1-5/32 (29)			49 - 59 (680 - 820)	68 - 82	

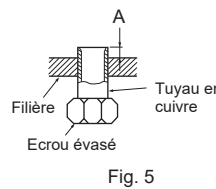


Fig. 5

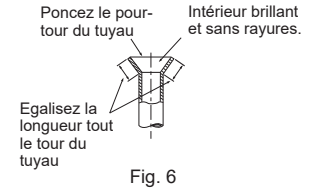


Fig. 6

3-3. RACCORDEMENT DES TUYAUX

- En cas de repose des tuyaux de réfrigérant après démontage, refaites la partie évasée du tuyau.
- Serrez l'écrou évasé avec une clé dynamométrique comme indiqué dans le tableau.
- Si l'écrou évasé est trop serré, il pourrait se rompre au bout de plusieurs années et provoquer une fuite de réfrigérant.
- Assurez-vous que la tuyauterie est enveloppée d'isolant. Un contact direct avec la tuyauterie nue peut entraîner des brûlures ou des engelures.

Raccordement de l'unité interne

Raccordez les conduits de liquide et de gaz à l'unité interne.

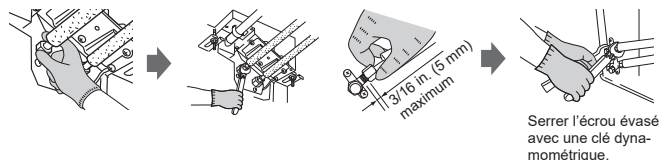
- Pour effectuer le raccordement, alignez d'abord le centre, puis serrez à la main l'écrou à évaseement de 3 à 4 tours.
- Respecter les couples de serrage indiqués dans le tableau ci-dessus pour raccorder la tuyauterie de l'unité interne et serrer avec deux clés. Un serrage excessif risque d'endommager la partie évasée.

Raccordement de l'unité externe

Raccordez les tuyaux aux raccords de tuyau du robinet d'arrêt de l'unité externe de la même façon que pour l'unité interne.

- Le serrage doit être effectué avec une clé dynamométrique ou une clé plate en respectant les couples de serrage spécifiés pour l'unité interne.

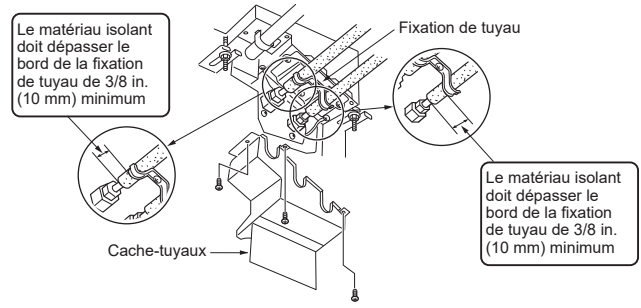
AVERTISSEMENT
Pendant l'installation de l'appareil, branchez correctement les tuyaux de réfrigérant avant de lancer le compresseur.



3-4. INSTALLATION DU CACHE-TUYAUX

Veiller à installer le cache-tuyaux. Une installation incorrecte pourrait entraîner des fuites d'eau.

- Aucune isolation n'est requise pour le raccordement de la face interne de l'unité. Le cache-tuyaux amasse l'eau condensée autour du raccordement.
- 1) Installer la fixation de tuyau ôtée à la section 3-1. pour le raccordement.
 - * La fixation de tuyau ne doit pas maintenir le matériau isolant du raccordement. Le matériau isolant doit dépasser de 3/8 in. (10 mm) minimum la fixation de tuyau, comme illustré à droite.
 - 2) Installer le cache-tuyaux.



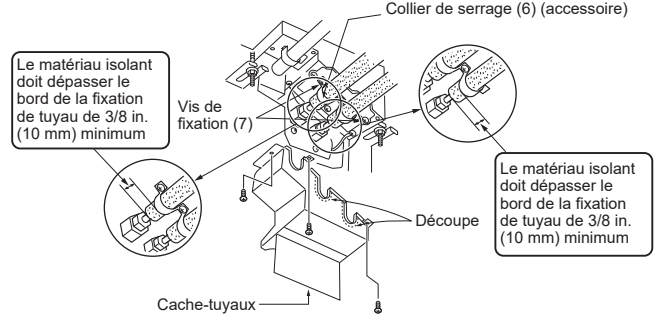
Lors de l'utilisation d'un tuyau dont le matériau isolant est supérieur (environ $\varnothing 1\text{-}7/8$ in. ($\varnothing 48$ mm) pour les tuyaux de liquide et $\varnothing 2$ in. ($\varnothing 51$ mm) pour les tuyaux de gaz)

- 1) Veiller à ce que la plaque soit retournée et que sa partie concave soit orientée vers le haut. (Se reporter à la section 3-1.)
- 2) Utiliser la fixation de tuyau (6) fournie avec l'unité. (Ne pas utiliser la fixation de tuyau attachée à l'unité)
- 3) La sortie de raccordement de tuyau du cache-tuyaux est prédécoupée. La couper le long de la ligne.
- 4) Installer le cache-tuyaux.

Remarque :

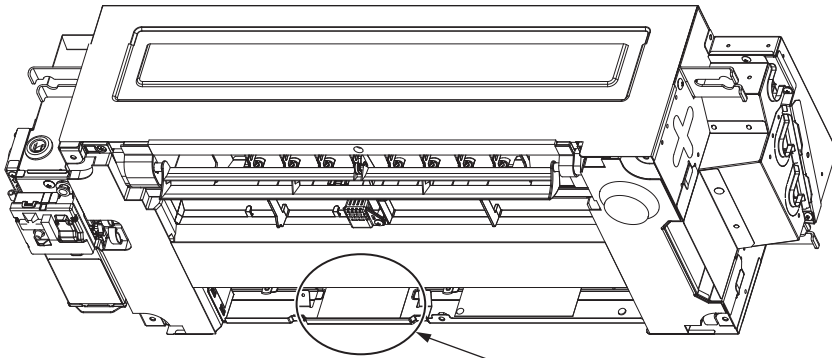
Installer correctement le cache-tuyaux et la fixation de tuyau. Une installation partielle pourrait entraîner un écoulement d'eau et endommager votre mobilier et autres biens.

[Lors de l'utilisation d'un tuyau dont le matériau isolant est supérieur]



3-5. INDICATION DE LA DATE D'INSTALLATION

- Veillez à indiquer la date d'installation (date de la première charge) sur l'étiquette ci-dessous.



DATE OF FIRST CHARGE DATE DE LA PREMIERE CHARGE 2025.1.23		
	Refrigerant Safety Group Classe de sécurité du réfrigérant A2L	  

4. ESSAI DE FONCTIONNEMENT

4-1. ESSAI DE FONCTIONNEMENT

- Ne pas faire fonctionner l'unité pendant une période prolongée dans des endroits comme un bâtiment en construction. De la poussière ou des odeurs risquent d'adhérer à l'unité.
- Si possible, effectuer l'essai en présence de l'utilisateur.

- 1) Appuyer une fois sur l'interrupteur de secours (E.O. SW) pour le refroidissement (COOL) et deux fois pour le chauffage (HEAT). L'essai de fonctionnement va s'effectuer pendant 30 minutes. Si le témoin de fonctionnement gauche clignote toutes les 0,5 secondes, vérifier le câble de connexion de l'unité interne/externe (D) pour détecter tout mauvais branchement. Le mode d'urgence (température réglée sur 75°F (24°C)) prendra le relais à la fin de l'essai de fonctionnement.
- 2) Pour arrêter le fonctionnement, appuyez plusieurs fois sur le bouton E.O. SW, jusqu'à ce que les témoins LED s'éteignent. Consultez la notice d'utilisation pour plus d'informations.

Contrôle de la réception des signaux (infrarouges) de la télécommande

Appuyez sur la touche ARRET/MARCHE de la télécommande et vérifiez l'audibilité du signal sonore électronique provenant de l'unité interne. Appuyez de nouveau sur la touche ARRET/MARCHE de la télécommande pour éteindre le climatiseur.

- A l'arrêt du compresseur, le dispositif de prévention du redémarrage se met en marche pour éviter le redémarrage du compresseur pendant 3 minutes pour protéger le climatiseur.

Vérification de l'évacuation d'eau

- 1) Remplissez le bac de récupération avec environ 0,9 à 1,0 litre d'eau. (Ne pas verser d'eau directement dans la pompe de vidange.)
- 2) Effectuer un essai de fonctionnement de l'unité (en mode Refroidissement).
- 3) Contrôler l'évacuation de l'eau à la sortie du tuyau de vidange.
- 4) Arrêter l'essai de fonctionnement (ne pas oublier de mettre l'unité hors tension).

4-2. VERIFICATION DE LA VIDANGE D'EAU POUR L'UNITÉ INTERNE SEULEMENT

Si le câblage n'est pas terminé, raccordez les bornes S1 et S2 du bloc de sortie de l'unité interne à une alimentation monophasée 230 V.

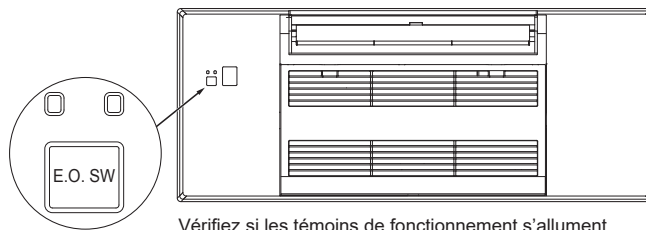
- 1) Démarrez l'essai de fonctionnement de la pompe de vidange.
 - Appuyez sur l'interrupteur de secours pendant 5 secondes (jusqu'à ce que vous entendiez un signal sonore) pour démarrer uniquement la pompe de vidange.
 - Les deux témoins de fonctionnement se mettent à clignoter.
- 2) Arrêtez l'essai de fonctionnement de la pompe de vidange.
 - Appuyez une nouvelle fois sur l'interrupteur de secours pour arrêter la pompe de vidange. Même si vous n'arrêtez pas la pompe de vidange, elle s'arrêtera automatiquement après 15 minutes.
 - Les témoins de fonctionnement s'éteignent.

4-3. FONCTION DE REDEMARRAGE AUTOMATIQUE

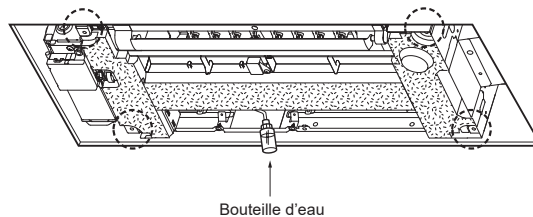
Ce produit est équipé d'une fonction de redémarrage automatique. Lorsque l'alimentation se coupe pendant le fonctionnement (comme lors des pannes d'électricité), la fonction remet automatiquement l'unité en marche sur le réglage précédent dès que l'alimentation est rétablie. (Consultez la notice d'utilisation pour plus d'informations.)

4-4. EXPLICATIONS DESTINEES A L'UTILISATEUR

- A l'aide de la NOTICE D'UTILISATION, expliquez à l'utilisateur l'emploi du climatiseur (utilisation de la télécommande, remplacement des filtres à air, enlèvement ou placement de la télécommande sur son support, nettoyage, précautions à prendre pour le fonctionnement, etc.)
- Recommandez à l'utilisateur de lire attentivement la NOTICE D'UTILISATION.



Vérifiez si les témoins de fonctionnement s'allument. (S'ils ne s'allument pas, il est possible que la grille et la position des témoins ne soient pas bien alignées.)



- Après l'essai de fonctionnement ou le contrôle de la réception des signaux de la télécommande, éteignez l'unité à l'aide du bouton E.O. SW ou de la télécommande avant de couper l'alimentation. Sinon, l'unité se remettra automatiquement en marche lorsque l'alimentation est rétablie.

A l'attention de l'utilisateur

- Après installation de l'unité, veuillez à expliquer à l'utilisateur la fonction de redémarrage automatique.
- Si la fonction de redémarrage automatique n'est pas indispensable, elle peut être désactivée. Adressez-vous au responsable de l'entretien pour désactiver la fonction. Consultez le manuel d'entretien pour plus d'informations.

5. INSTALLATION DE LA GRILLE (EN OPTION)

Se reporter aux procédures indiquées dans la notice d'installation de la grille (en option).

6. PURGE

Se reporter aux procédures indiquées dans la notice d'installation de l'unité externe.

⚠ AVERTISSEMENT

Lorsque le circuit de réfrigération présente une fuite, ne pas purger à l'aide du compresseur.
Pendant l'opération d'aspiration du réfrigérant, arrêtez le compresseur avant de débrancher les tuyaux de réfrigérant. Le compresseur peut éclater si de l'air ou d'autres gaz pénètre(nt) à l'intérieur.

7. CONNEXION A L'INTERFACE SANS FIL

⚠ ATTENTION

Unités internes compatible Wi-Fi® :

- requièrent un réseau Wi-Fi® avec une connexion active à Internet pour être configurées.
 - sont conçues pour se connecter à des réseaux Wi-Fi® de 2,4 GHz.
 - ne fonctionnent pas avec des réseaux Wi-Fi® de 5 GHz ou 6 GHz.
- Certains routeurs Wi-Fi® multi-bande ne gèrent pas correctement les dispositifs qui fonctionnent exclusivement avec 2,4 GHz. Pour de meilleurs résultats, utilisez un SSID différent pour la bande de 2,4 GHz. Veillez à ce que l'installation ne dépasse pas la limite pour dispositif connecté du routeur Wi-Fi®.

Vérifiez que chaque emplacement d'unité interne bénéficie d'une bonne intensité de signal Wi-Fi®. (-60 dBm ou meilleure). Pour améliorer la fiabilité aux emplacements où le signal Wi-Fi® est faible, appliquez un système Wi-Fi® maillé.

Pour réaliser la connexion :

Téléchargez l'application en cliquant sur le lien ou en scannant le QR code et en suivant les instructions de l'application.

Remarque :

- Quand vous connectez à la fois le Wi-Fi et un contrôleur MI, connectez le Wi-Fi en premier.
- Quand vous connectez un contrôleur MI, veuillez suivre les instructions de connexion décrites dans le manuel d'installation du contrôleur MI.
- Reportez-vous à la section 8 pour les instructions de connexion de l'interface sans fil à la carte de commande de l'unité interne.

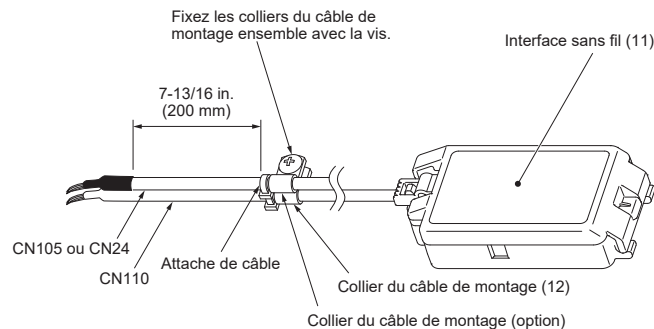
Visitez le site <https://www.mitsubishitechinfo.ca/>.

Trouvez le lien pour télécharger l'application et créez votre compte.

Veuillez également vous reporter au lien pour des instructions plus détaillées sur la manière de configurer l'application.

8. CONNEXION D'UNE INTERFACE (OPTION) AU CLIMATISEUR

- 1) Se reporter à la section "2-4. RACCORDEMENT DES CABLES DE L'UNITE INTERNE" et "2-5. INSTALLATION DE L'INTERFACE SANS FIL".
- 2) Fixez l'attache de câble au câble de connexion à 7-13/16 in. (200 mm) du bord de l'élément d'isolation.
- 3) Attachez le collier du câble de montage (option) du côté interface de l'attache de câble.
- 4) Fixez le collier du câble de montage et le collier du câble de montage en option ensemble avec la vis.



* Si l'interface supplémentaire (option) est connectée, attachez ensemble le câble CN110, le câble CN105 et le câble CN24 avec l'attache de câble.

- 5) Faites glisser le panneau de commande de l'unité interne et raccordez le câble de connexion au connecteur CN105 et/ou CN24 du panneau de commande de l'unité interne.

This product is designed and intended for use in the residential, commercial and light-industrial environment.

MITSUBISHI ELECTRIC CORPORATION

HEAD OFFICE: TOKYO BUILDING, 2-7-3, MARUNOUCHI, CHIYODA-KU, TOKYO 100-8310, JAPAN

DG79V943H01 W25K02