

**Required Tools for Installation**

| | |
|---------------------------|----------------------------------|
| Phillips screwdriver | 5/32 in. (4 mm) hexagonal wrench |
| Level | Flare tool for R410A |
| Scale | Gauge manifold for R410A |
| Utility knife or scissors | Vacuum pump for R410A |
| 3 in. (75 mm) hole saw | Charge hose for R410A |
| Torque wrench | Pipe cutter with reamer |
| Wrench (or spanner) | |

1. BEFORE INSTALLATION

1-1. THE FOLLOWING SHOULD ALWAYS BE OBSERVED FOR SAFETY

- Be sure to read these safety precautions and instructions.
- Be sure to observe the warnings and cautions specified here.
- After reading this manual, be sure to store it with the OPERATING INSTRUCTIONS for future reference.
- Please report to your supply authority or obtain their consent before connecting this equipment to the power supply system.

⚠ WARNING (Could lead to death or serious injury.)

■ **Do not install the unit by yourself (user).**

Improper or incomplete installation could cause fire, electric shock, injury due to the unit falling, or water leakage. Consult a qualified installer or the dealer from whom you purchased the unit.

■ **Follow the instructions detailed in the installation manual.**

Incomplete installation could cause fire or electric shock, injury due to the unit falling, or leakage of water.

■ **When installing the unit, use appropriate protective equipment and tools for safety.**

Failure to do so could cause injury.

■ **Install the unit securely in a place that can bear the weight of the unit.**

If the installation location cannot bear the weight of the unit, the unit could fall causing injury.

■ **Perform electrical work according to the installation manual and be sure to use an exclusive circuit. Do not connect other electrical appliances to the circuit.**

If the capacity of the power circuit is insufficient or there is incomplete electrical work, it could result in a fire or an electric shock.

■ **Ground the unit correctly.**

Do not connect the ground wire to a gas pipe, water pipe, lightning rod or telephone ground. Defective grounding could cause electric shock.

■ **Do not damage the wires.**

Damaged wires could cause fire.

■ **Be sure to shut off the main power when setting up the indoor P.C. board or wiring.**

Failure to do so could cause electric shock.

■ **Use the specified wires to securely connect the indoor and outdoor units. Attach the wires firmly to avoid applying stress to the terminal block.**

Improper connection could cause fire.

■ **Do not install the unit in a place where flammable gas may leak.**

If gas leaks and accumulates around the unit, it could cause an explosion.

■ **Do not use intermediate connection of the power cord or the extension cord. Do not connect many devices to one AC outlet.**

It could cause a fire or an electric shock.

■ **Use the parts provided or specified parts for the installation work.**

The use of defective parts could cause an injury or leakage of water due to a fire, an electric shock, the unit falling, etc.

■ **When plugging the power supply plug into the outlet, make sure that there is no dust, blockage, or loose parts both in the outlet and on the plug. Verify that the power supply plug is completely in the outlet.**

If there is dust, blockage, or loose parts on the power supply plug or the outlet, it could cause electric shock or fire. If loose parts are found on the power supply plug, replace it.

■ **Securely attach the electrical cover to the indoor unit and the service panel to the outdoor unit.**

If the electrical cover of the indoor unit and/or the service panel of the outdoor unit are not attached securely, dust, water, etc. could collect in the unit and could cause a fire or an electric shock.

■ **When installing, relocating, or servicing the unit, make sure that no substance other than the specified refrigerant (R410A) enters the refrigerant circuit.**

Any presence of foreign substance such as air can cause abnormal pressure rise and may result in explosion or injury. The use of any refrigerant other than that specified for the system will cause mechanical failure, system malfunction, or unit breakdown. In the worst case, this could lead to a serious impediment to securing product safety.

■ **Do not discharge the refrigerant into the atmosphere. Check that the refrigerant gas does not leak after installation has been completed. If refrigerant leaks during installation, ventilate the room.**

If refrigerant comes in contact with a fire, harmful gas could be generated. If refrigerant gas leaks indoors, and comes into contact with the flame of a fan heater, space heater, stove, etc., harmful gases will be generated.

■ **Use appropriate tools and piping materials for installation.**

The pressure of R410A is 1.6 times higher than R22. Not using the appropriate tools and materials, or improper installation could cause the pipes to burst causing an injury.

■ **When pumping down the refrigerant, stop the compressor before disconnecting the refrigerant pipes.**

If the refrigerant pipes are disconnected while the compressor is running and the stop valve is open, air could be drawn in and the pressure in the refrigeration cycle could become abnormally high, causing the pipes to burst.

■ **When installing the unit, securely connect the refrigerant pipes before starting the compressor.**

If the compressor is started before the refrigerant pipes are connected and the stop valve is open, air could be drawn in and the pressure in the refrigeration cycle could become abnormally high, causing the pipes to burst.

■ **Fasten a flare nut with a torque wrench as specified in this manual.**

If fastened too tight, a flare nut could break and cause refrigerant leakage.

■ **Install the unit according to national wiring regulations.**

⚠ CAUTION (Could lead to serious injury when operated incorrectly.)

■ **Depending on the installation area, install a Ground Fault Interrupt (GFI) circuit breaker.**

If the Ground Fault Interrupt (GFI) circuit breaker is not installed, an electric shock could occur.

■ **Perform the drainage/piping work securely according to the installation manual.**

If there is defect in the drainage/piping work, water could drip from the unit, and damage household items.

■ **Do not touch the air inlet or the aluminum fins of the outdoor unit.**
This could cause injury.

■ **Do not install the outdoor unit where small animals may live.**

If small animals enter the unit and damage its electrical parts, it could cause a malfunction, smoke emission, or fire. Keep the area around the unit clean.

1-2. SELECTING THE INSTALLATION LOCATION

INDOOR UNIT

- Where airflow is not blocked.
- Where cool air aspreads over the entire room.
- On a rigid wall to reduce the possibility of vibration.
- Where it is not exposed to direct sunlight. Do not expose to direct sunlight also during the period following unpacking to before use.
- Where it can be easily drained.
- At a distance 3 ft. (1 m) or more away from a TV and radio. Operation of the air conditioner may interfere with radio or TV reception. An amplifier may be required for the affected device.
- In a place as far away as possible from fluorescent and incandescent lights (so the infrared remote control can operate the air conditioner normally).
- Where the air filter can be removed and replaced easily.

Note:

Install the indoor unit high on the wall where air can distribute over the entire room.

REMOTE CONTROLLER

- Where it is convenient to operate and easily visible.
- Where children cannot easily touch it.
- Select a position about 4 ft. (1.2 m) above the floor. Check that signals from the remote controller from that position are received by the indoor unit ('beep' or 'beep beep' receiving tone sounds). Then, attach remote controller holder to a pillar or wall and install wireless remote controller.

Note:

In rooms where inverter type fluorescent lamps are used, the signal from the wireless remote controller may not be received.

OUTDOOR UNIT

- Where it is not overly exposed to strong winds.
- Where airflow is good and dustless.
- Where neighbours are not annoyed by operation sound or hot air.
- Where rigid wall or support is available to prevent the increase of operation sound or vibration.
- Where there is no risk of combustible gas leakage.
- If installing the unit in a location high above the ground, be sure to secure the unit legs.
- Where it is at least 10 ft. (3 m) away from the antenna of TV set or radio. Operation of the air conditioner may interfere with radio or TV reception in areas where reception is weak. An amplifier may be required for the affected device.
- Install the unit horizontally.
- Please install it in an area not affected by snowfall or blowing snow. In areas with heavy snow, please install a canopy, a pedestal and/or baffle boards.

Note:

- It is advisable to make a piping loop near outdoor unit so as to reduce vibration.
- For increased efficiency, install the outdoor unit in a location where continuous direct sunlight or excessive water can be avoided as much as possible.

Note:

When operating the air conditioner in low outside temperature, be sure to follow the instructions described below.

- Never install the outdoor unit in a place where its air inlet/outlet side may be exposed directly to wind.
- To prevent exposure to wind, install the outdoor unit with its air inlet side facing the wall and a baffle board on the air outlet side.

Avoid the following places for installation where air conditioner trouble is liable to occur.

- Where flammable gas could leak.
- Where there is an excessive amount of machine oil in the air.
- Where oil is splashed or where the area is filled with oily smoke (such as cooking areas and factories, in which the properties of plastic could be changed and damaged).
- Salty places such as the seaside.
- Where sulfide gas is generated such as a hot spring.
- Where there is high-frequency or wireless equipment.
- Where there is emission of high levels of VOCs, including phthalate compounds, formaldehyde, etc., which may cause chemical cracking.

1-3. SPECIFICATIONS

1-3-1. POWER SUPPLY AND INDOOR/OUTDOOR WIRE CONNECTION

- Power should be taken from an exclusive branched circuit.
- Wiring work should be based on applicable technical standards.
- Wiring connections should be made following the diagram.
- Securely tighten screws.

Connecting wires and the ground wire

- Use solid conductor Min. AWG14 or stranded conductor Min. AWG14.
- Use double insulated copper wire with 600 V insulation.
- Use copper conductors only.
- * Follow local electrical codes.

Power supply cable and ground wire

- Use solid or stranded conductor Min. AWG10.
- Use copper conductors only.
- * Follow local electrical codes.

Note:

When the indoor unit is powered from the outdoor unit, depending on local code, a disconnect switch needs to be installed to a power supply circuit.

Electrical specifications

| MODEL | MSY-D30NA | MSY-D36NA | MSZ-D30NA | MSZ-D36NA |
|---------------------------------|--|-----------|-----------|-----------|
| INDOOR UNIT | | | | |
| Power supply (V, PHASE, Hz) | 208/230, 1, 60 | | | |
| Min. Circuit Ampacity (A) | 1.0 | | | |
| Fan motor (F.L.A.) (A) | 0.76 | | | |
| OUTDOOR UNIT | | | | |
| Power supply (V, PHASE, Hz) | 208/230, 1, 60 | | | |
| Max. Fuse size (time delay) (A) | 25 | | | |
| Min. Circuit Ampacity (A) | 21 | | | |
| Fan motor (F.L.A.) (A) | 0.93 | | | |
| Compressor | (R.L.A.) (A) | 16 | | |
| | (L.R.A.) (A) | 20 | | |
| Control voltage | Indoor unit - Remote controller: (Wireless) Indoor unit - Outdoor unit: DC12-24 V (Polar) | | | |

1-3-2. REFRIGERANT PIPES

- To prevent condensation, insulate the two refrigerant pipes.
- Refrigerant pipe bending radius must be 4 in. (100 mm) or more.

CAUTION

Be sure to use the insulation of specified thickness (table on the right). Excessive insulation may cause incorrect installation of the indoor unit, and too little insulation may cause condensate to form.

- The unit has flared connections on both indoor and outdoor sides.
- Remove the valve cover from the outdoor unit, then connect the pipe.
- Refrigerant pipes are used to connect the indoor and outdoor units.
- Be careful not to crush or over bend the pipe in pipe bending.

- Refrigerant adjustment... If pipe length exceeds 25 ft. (7.5 m), additional refrigerant (R410A) charge is required.
(The outdoor unit is charged with refrigerant for pipe length up to 25 ft. [7.5 m])

| Pipe | Outside diameter | Minimum wall thickness | Insulation thickness | Insulation material |
|------------|------------------|------------------------|----------------------|--|
| | | | | |
| For liquid | 3/8 (9.52) | 0.0315 (0.8) | 5/16 (8) | Heat resistant foam plastic 0.045 Specific gravity |
| For gas | 5/8 (15.88) | 0.0394 (1.0) | 5/16 (8) | |

| Limits | |
|-------------------|---------------------|
| Pipe length | 100 ft. (30 m) max. |
| Height difference | 50 ft. (15 m) max. |
| No. of bends | 10 max. |

| | | |
|-------------------------|--------------------------|--|
| Pipe length | Up to 25 ft. (7.5 m) | No additional charge is required. |
| | Exceeding 25 ft. (7.5 m) | Additional charge is required. (Refer to the table below.) |
| Refrigerant to be added | MSZ-D30/36NA | 2.96 oz. each 5 ft. (55 g/m) |
| | MSY-D30/36NA | 1.08 oz. each 5 ft. (20 g/m) |

1-4. INSTALLATION DIAGRAM

ACCESSORIES

Check the following parts before installation.
<Indoor unit>

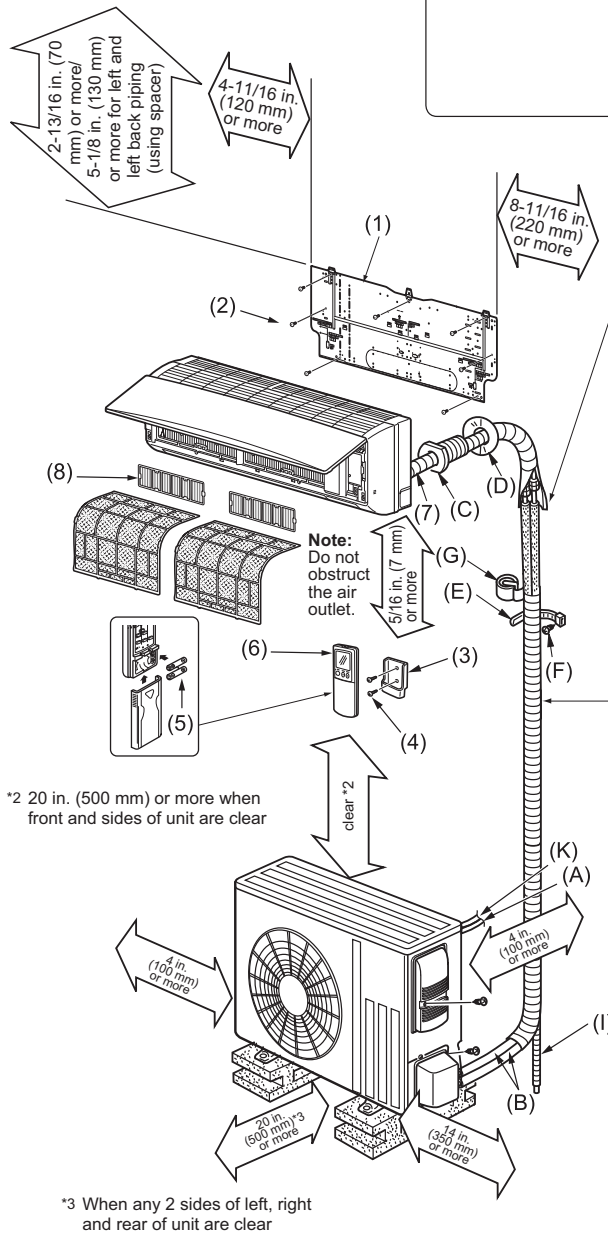
| | | |
|------|--|---|
| (1) | Installation plate | 1 |
| (2) | Attachment screws for the installation plate 4 × 25 mm | 7 |
| (3) | Remote controller holder | 1 |
| (4) | Screws for the remote controller holder 3.5 × 16 mm (Black) | 2 |
| (5) | Battery (AAA) for (6) | 2 |
| (6) | Wireless remote controller | 1 |
| (7) | Felt tape (For left or left-rear piping) | 2 |
| (8) | Air cleaning filter | 2 |
| (9) | Charge nut | 1 |
| (10) | L-joint | 1 |

FIELD-SUPPLIED PARTS

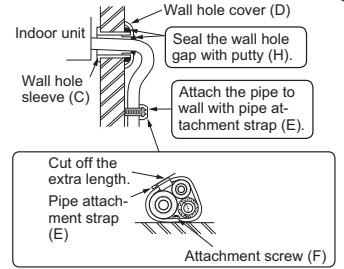
| | | |
|-----|--|--------|
| (A) | Indoor/outdoor unit connecting wire*1 | 1 |
| (B) | Extension pipe | 1 |
| (C) | Wall hole sleeve | 1 |
| (D) | Wall hole cover | 1 |
| (E) | Pipe attachment strap | 2 to 5 |
| (F) | Screw for (E) 4 × 20 mm | 2 to 5 |
| (G) | Piping tape | 1 |
| (H) | Putty | 1 |
| (I) | Drain hose (or soft PVC hose, 19/32 in. [15 mm] inner diameter or hard PVC pipe VP16) | 1 |
| (J) | Refrigerant oil | 1 |
| (K) | Power supply cord*1 | 1 |

Note:

*1 Place indoor/outdoor unit connecting wire (A) and power supply cord (K) at least 3 ft. (1 m) away from the TV antenna wire.

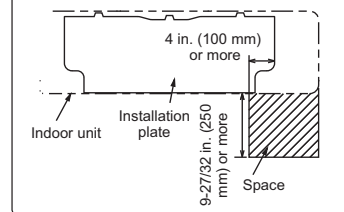


Use the wall hole sleeve (C) to prevent indoor/outdoor connecting wire (A) from contacting metal parts in the wall and to protect the wiring from rodents.

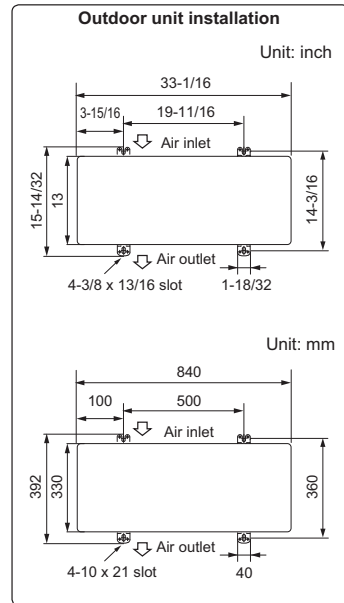


After the leak test, apply insulating material tightly so that there is no gap.

Space for indoor unit working
Please leave the space as shown in the picture for maintenance usage.



When the piping is to be attached to a wall comprised of tin plate or metal netting, use chemically treated wooden piece 25/32 in. (20 mm) or thicker between the wall and the piping, or wrap insulation vinyl tape 7 to 8 turns around the piping. To use existing piping, perform COOL operation for 30 minutes and pump down before removing the old air conditioner. Remake flare according to the dimension for new refrigerant.



*2 20 in. (500 mm) or more when front and sides of unit are clear

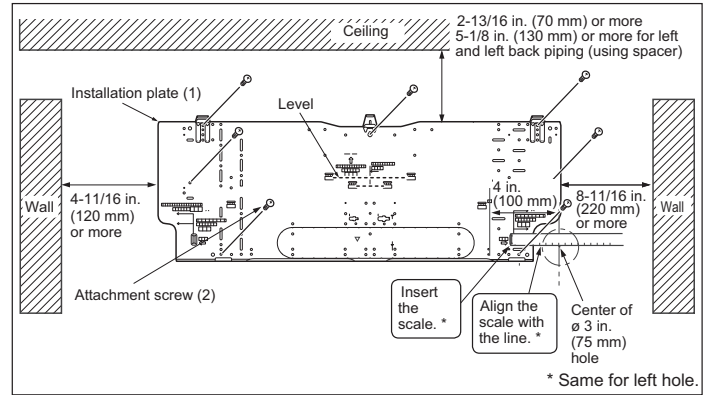
*3 When any 2 sides of left, right and rear of unit are clear

Units should be installed by licensed contractor according to local code requirements.

2. INDOOR UNIT INSTALLATION

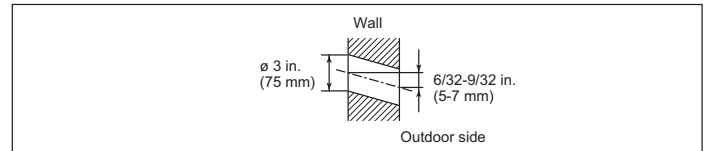
2-1. ATTACHING THE INSTALLATION PLATE

- Find a stud in the wall to attach installation plate (1) horizontally by tightening the fixing screws (2) firmly.
- To prevent installation plate (1) from vibrating, be sure to install the attachment screws in the holes indicated in the illustration. For added support, additional screws may also be installed in other holes.
- If the recessed bolt is too long, change it for a shorter one (field-supplied).



2-2. DRILLING

- Determine where the holes will be located on the wall.
- Drill a \varnothing 3 in. (75 mm) hole. The outdoor side should be 6/32 to 9/32 in. (5 to 7 mm) lower than the indoor side.
- Insert wall hole sleeve (C).

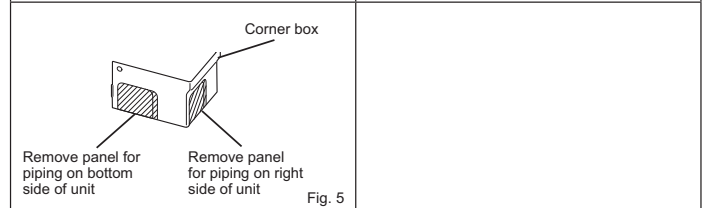
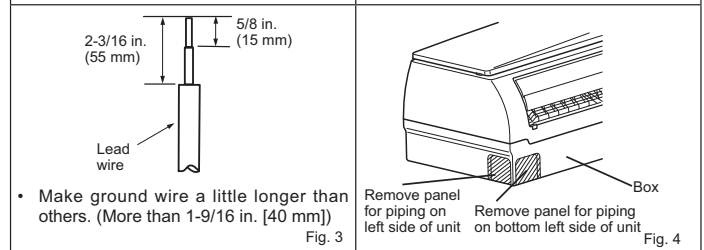
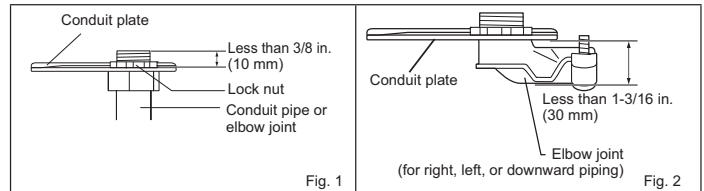
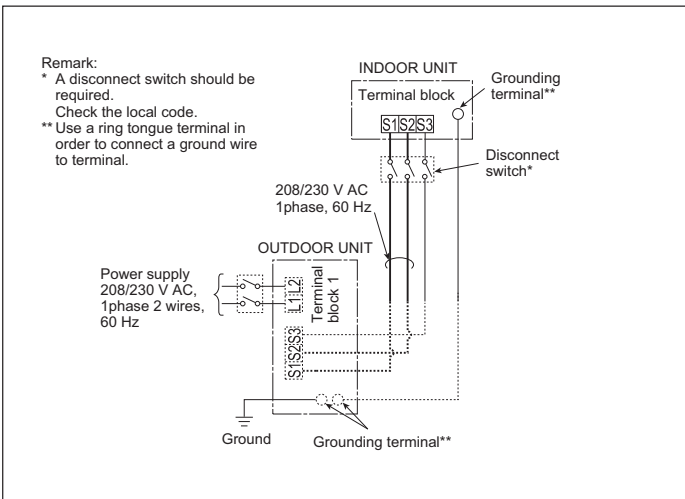
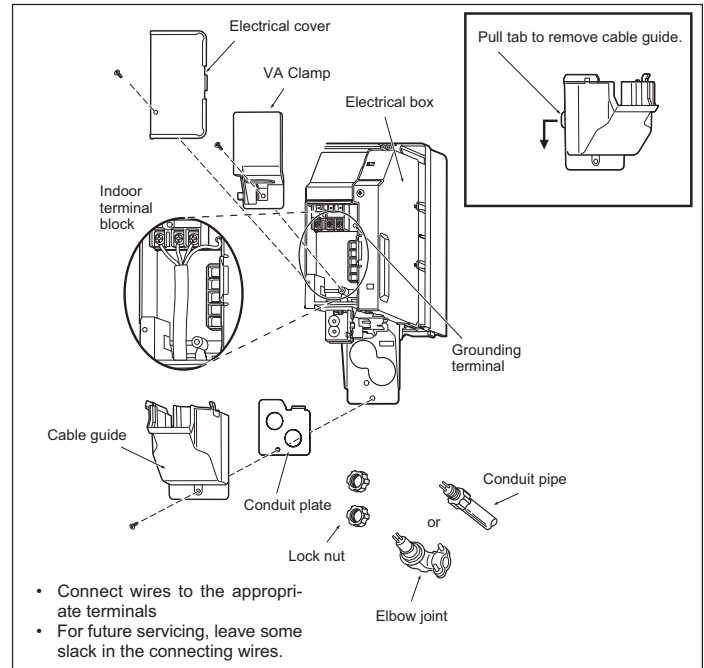


2-3. CONNECTING WIRES FOR INDOOR UNIT

Note:

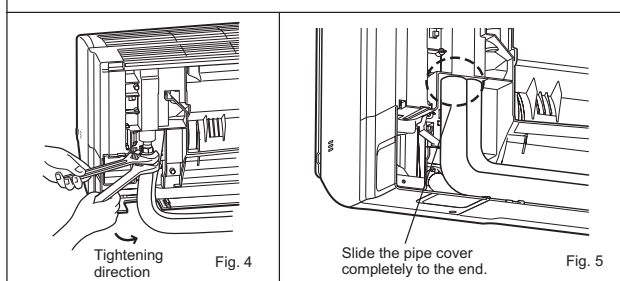
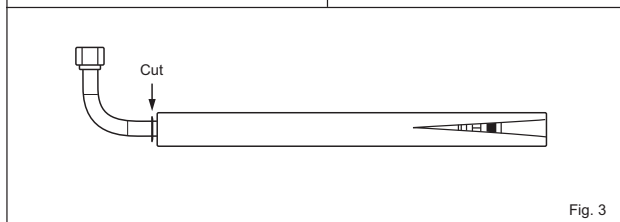
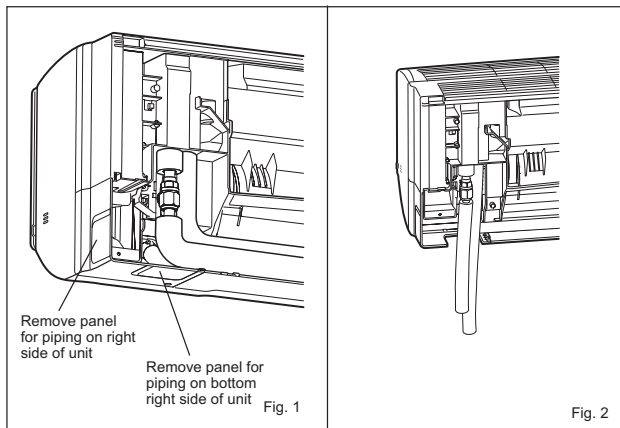
When the indoor unit is powered from the outdoor unit, depending on local code, a disconnect switch needs to be installed to a power supply circuit.

- Open the front panel.
- Place the upper part of the indoor unit on the installation plate.
- Remove electrical cover.
- Remove VA clamp.
- Remove corner box.
- Remove cable guide.
- Remove conduit plate.
- Attach conduit pipe (for rear piping) / elbow joint (for right, left, or downward piping) to conduit plate with lock nut. The thread of the installed conduit pipe / elbow joint appearing inside should be less than 3/8 in. (10 mm). (Fig. 1) Elbow joint should appear less than 1-3/16 in. (30 mm) outside. (Fig. 2)
- Process the end of ground wire (Fig. 3). Connect it to the ground terminal of electrical parts box.
- Process the end of indoor/outdoor unit connecting wire (A) (Fig.3). Attach it to the terminal block. Be careful not to make mis-wiring. Attach the wire to the terminal block securely so that its core cannot be seen, and no external force affects the connecting section of the terminal block.
- Firmly tighten the terminal screws. After tightening, verify that the wires are tightly fastened.
- Reinstall conduit plate.
- Reinstall cable guide.
- According to the piping direction, remove the shaded part of the left side of box (Fig.4) or corner box (Fig. 5).
- Reinstall VA clamp.
- Reinstall electrical cover.
- Reinstall panel assembly.



2-4. INSTALLING THE L-JOINT

- 1) Install L-joint (10) on the back of the unit. Position L-joint (10) according to the piping direction. (Fig. 1)
In case of bottom piping (Fig. 2)
 - Cut L-joint (10) at the position shown in Fig. 3.
 - Remove union nut from the unit and install it to L-joint (10).
 - Flare end of L-joint (10).
- 2) Use two torque wrenches to tighten the nut. (tighten torque 65 N·m) (Fig. 4)
- 3) Install charge nut (9) to the liquid refrigerant piping, which connects the indoor and outdoor unit.
- 4) Perform leak test of joint part (the part tightened in "2"), the nut on the gas side should remain installed.
- 5) Slide pipe cover of L-joint (10) and cover the joint. (Fig. 5)

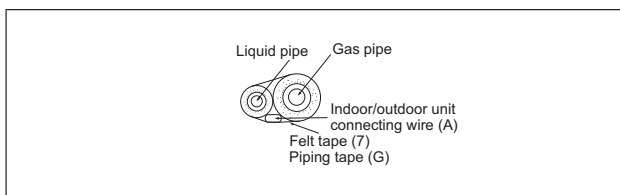


2-5. PIPE FORMING AND DRAIN PIPING

2-5-1. PIPE FORMING

- Place the drain hose below the refrigerant piping.
- Make sure that the drain hose is not crowded or bent.
- Do not pull the hose when applying the tape.
- When the drain hose passes the room, be sure to wrap it with insulation material (field-supplied).

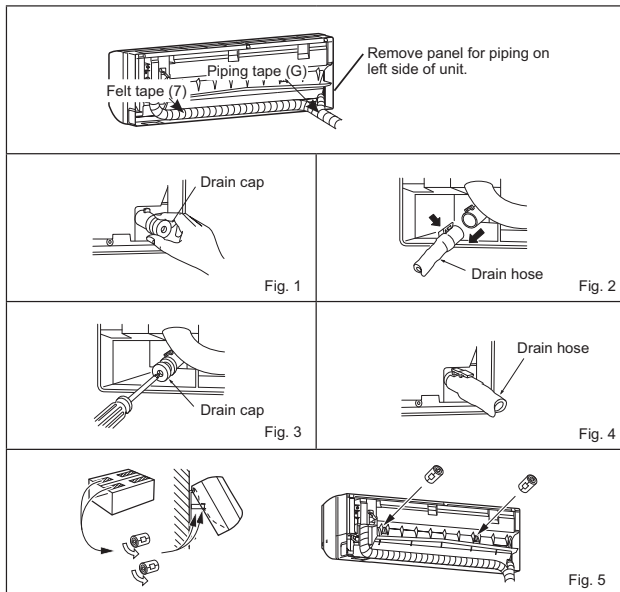
Note:
Make sure not to damage the cover of refrigerant pipe when attaching it back on with screws.



Left or left-rear piping

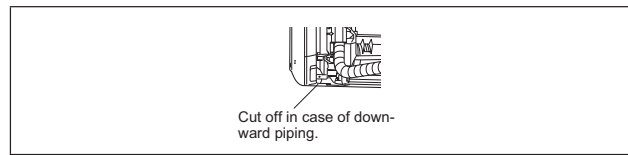
Note:
Be sure to reattach the drain hose and the drain cap if the piping is being installed on left or bottom left of unit, otherwise, water could drip down from the drain hose.

- 1) Place the refrigerant piping and the drain hose together, then firmly apply felt tape (7) from the end.
Felt tape (7) overlap width should be 1/3 the tape width. Use a bandage stopper at the end of felt tape (7).
- 2) Pull out the drain cap at the back right of the indoor unit. (Fig. 1)
 - Hold the convex section at the end and pull the drain cap.
- 3) Pull out the drain hose at the back left of the indoor unit. (Fig. 2)
 - Hold the claw marked by the arrows and pull out the drain hose forward.
- 4) Put the drain cap into the section to which the drain hose is to be attached at the rear of the indoor unit. (Fig. 3)
 - Insert a screwdriver into the hole on the cap and insert the cap fully into the drain pan.
- 5) Insert the drain hose fully into the drain pan at the back right of the indoor unit. (Fig. 4)
 - Check if the hose is hooked securely to the projection of its inserting part at the drain pan.
- 6) Insert the drain hose into wall hole sleeve (C), and attach the upper part of indoor unit onto the installation plate (1). Then, shift the indoor unit completely to the left to make placing the piping in the back of the unit easier.
- 7) Cut out two pieces of cardboard from the shipping box (use any two pieces of the four pieces), roll each piece, hook them onto the back rib, and use them as spacer to lift the indoor unit. (Fig. 5)
- 8) Connect the refrigerant piping with the extension pipe (B).
- 9) Attach the lower part of the indoor unit into the installation plate (1).



Rear or bottom piping

- 1) Place the refrigerant piping and the drain hose together, then firmly apply piping tape (G) from the end.
- 2) Insert the piping and the drain hose into the wall hole sleeve (C), and attach the upper part of the indoor unit on the installation plate (1).
- 3) Check if the indoor unit is attached securely on the installation plate (1) by moving the unit to left and right.
- 4) Attach the lower part of the indoor unit into the installation plate (1).

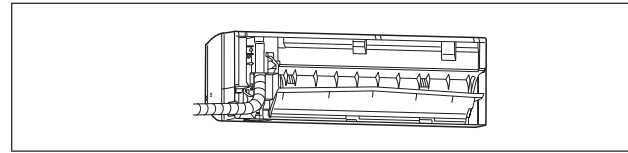


Right piping

Note:

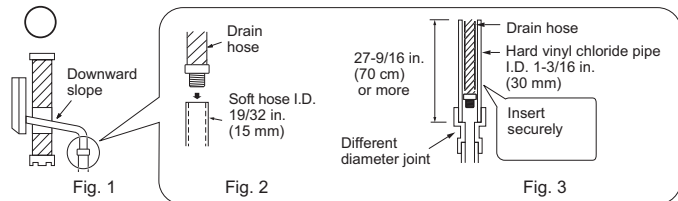
Before performing the following, make sure that wiring is completed, and the conduit cover is installed. (Refer to 2-3.)

- 1) Place the refrigerant piping and the drain hose together, shift them to left side of the unit, and then firmly apply piping tape (G).
- 2) Insert the piping and the drain hose into the wall hole sleeve (C), and attach the upper part of the indoor unit on the installation plate (1).
- 3) Check if the indoor unit is attached securely on the installation plate (1) by moving the unit to left and right.
- 4) Attach the lower part of the indoor unit into the installation plate (1).

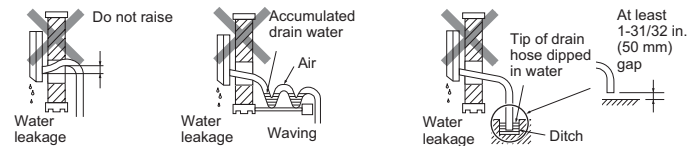


2-5-2. DRAIN PIPING

- If the extension drain hose has to pass through a room, be sure to wrap it with insulation (field-supplied).
- The drain hose should point downward for easy drain. (Fig. 1)
- If the drain hose provided with the indoor unit is too short, connect it with a field-supplied drain hose (I). (Fig. 2)
- When connecting the drain hose to a hard vinyl chloride pipe, be sure to insert it securely into the pipe. (Fig. 3)



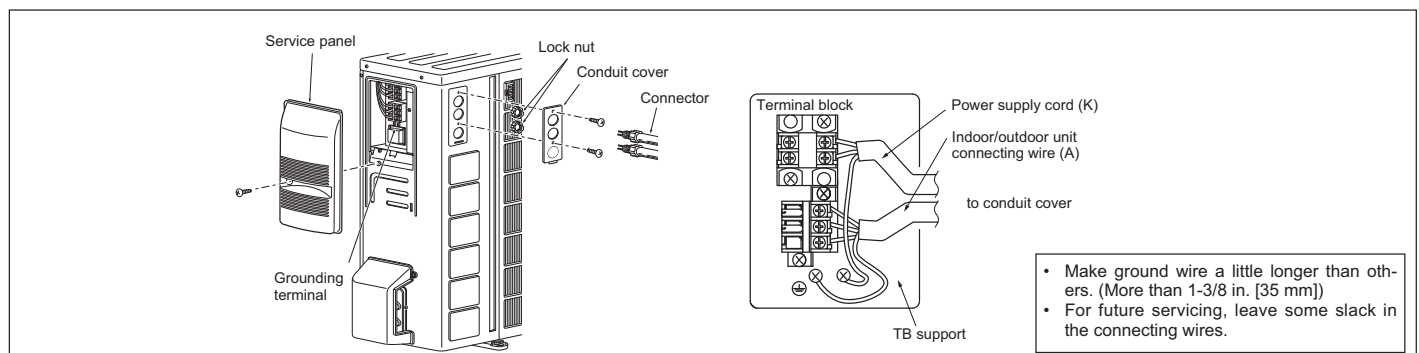
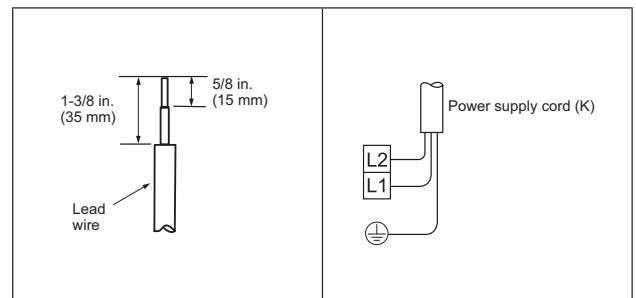
Do not make drain piping as shown below.



3. OUTDOOR UNIT INSTALLATION

3-1. CONNECTING WIRES FOR OUTDOOR UNIT

- 1) Remove the service panel.
- 2) Remove the conduit cover.
- 3) Attach the conduit connector to conduit cover with lock nut then secure it against unit with screws.
- 4) Connect ground wires of indoor/outdoor unit connecting wire (A) and power supply cord (K) to the TB support.
- 5) Loosen the terminal screw, and attach indoor/outdoor unit connecting wire (A) from the indoor unit correctly on the terminal block. Attach the wire to the terminal block securely so that its core cannot be seen, and no external force affects the connecting section of the terminal block.
- 6) Firmly tighten the terminal screws. After tightening, verify that the wires are tightly fastened.
- 7) Connect power supply cord (K).
- 8) Install the conduit cover.
- 9) Install the service panel securely.



- Make ground wire a little longer than others. (More than 1-3/8 in. [35 mm])
- For future servicing, leave some slack in the connecting wires.

| Pipe diameter inch (mm) | B inch (mm) | A inch (mm) | | | Tightening torque | |
|----------------------------|-------------------|----------------------------------|--------------------------------|----------------------------------|--------------------------|--------------|
| | | Clutch type tool for R410A | Clutch type tool for R22 | Wing nut type tool for R22 | ft-lb (kg•cm) | N•m |
| ø 1/4 (6.35) | 21/32 (17) | 0 to 0.02 (0 to 0.5) | 0.04 to 0.06 (1.0 to 1.5) | 0.06 to 0.08 (1.5 to 2.0) | 10 to 13 (140 to 180) | 13.7 to 17.7 |
| ø 3/8 (9.52) | 7/8 (22) | | | 25 to 30 (350 to 420) | 34.3 to 41.2 | |
| ø 1/2 (12.7) | 1-1/32 (26) | | | 36 to 42 (500 to 575) | 49.0 to 56.4 | |
| ø 5/8 (15.88) | 1-5/32 (29) | | | 0.08 to 0.10 (2.0 to 2.5) | 54 to 58 (750 to 800) | 73.5 to 78.4 |

3-2. FLARE CONNECTION

- 1) Cut the copper pipe as straight as possible with a pipe cutter. (Fig. 1, 2)
- 2) Remove all burrs from the cut section of the pipe, ensuring that precautions are taken to avoid getting metal shavings into the piping. (Fig. 3)
- 3) Remove flare nuts attached to indoor and outdoor units, then put them on pipe.
- 4) Flaring work (Fig. 4, 5). Firmly hold copper pipe in the dimension shown in the table. Select A inch (mm) from the table according to the tool you use.
- 5) Check
 - Compare the flared work with Fig. 6.
 - If flare is defective, cut off the section and repeat procedure.

3-3. PIPE CONNECTION

- Fasten flare nut with a torque wrench as specified in the table above.
- When fastened too tight, flare nut may eventually break and cause refrigerant leakage.
- Be sure to wrap insulation around the piping. Direct contact with the bare piping may result in burns or frostbite.

Indoor unit connection

- Connect both liquid and gas piping to indoor unit.
- Apply a thin coat of refrigeration oil (J) on the flared ends of the pipes. Do not apply refrigeration oil on screw threads. Excessive tightening torque will result in damage on the screw.
 - To connect, first align the center, then tighten the first 3 to 4 turns of flare nut.
 - Use tightening torque table above as a guideline for indoor unit side joints, and tighten using two wrenches. Excessive tightening damages the flare section.

Outdoor unit connection

- Connect pipes to stop valve pipe joint of the outdoor unit following the same procedure detailed in Indoor unit connection.
- For tightening, use a torque wrench or spanner.

⚠ WARNING

When installing the unit, securely connect the refrigerant pipes before starting the compressor.

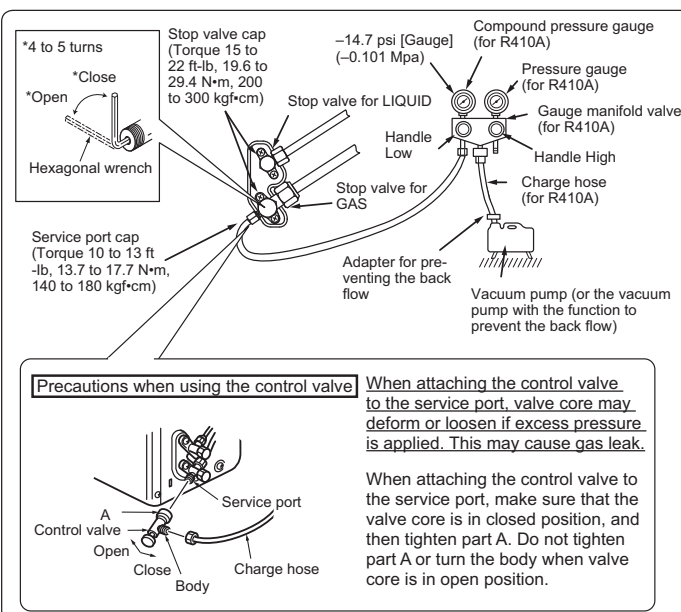
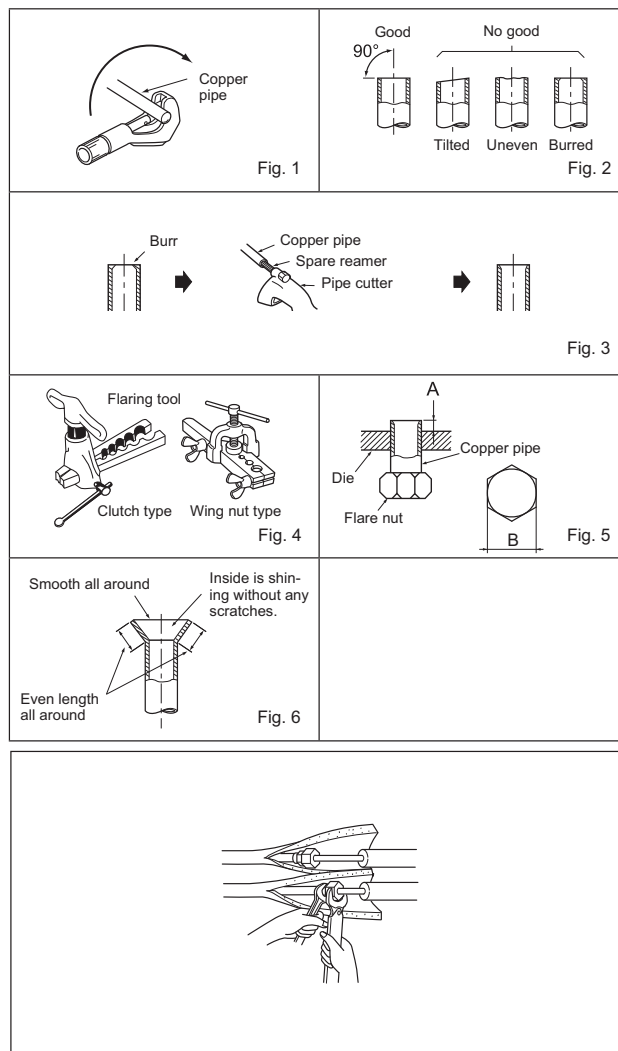
3-4. INSULATION AND TAPING

- 1) Cover piping joints with pipe cover.
- 2) For outdoor unit side, insulate the piping, including valves.
- 3) Apply piping tape (G) starting from the connection on the outdoor unit.
 - When piping has to be installed through a ceiling, closet or where the temperature and humidity are high, use additional field-supplied insulation to prevent condensation.

4. PURGING PROCEDURES, LEAK TEST, AND TEST RUN

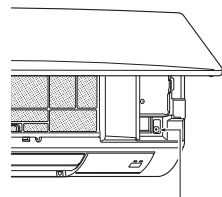
4-1. PURGING PROCEDURES AND LEAK TEST

- 1) Remove service port caps from stop valves on both sides of refrigerant lines. (The stop valves are fully closed when shipped.) Leave closed.
- 2) Connect gauge manifold to ports of stop valves.
- 3) Evacuate the system to 4000 microns from both service valves. System manifold gauges must not be used to measure vacuum. A micron gauge must be used at all times. Break the vacuum with Nitrogen(N₂) into the discharge service valve to 0 PSIG.
- 4) Evacuate the system to 1500 microns. Break the vacuum with Nitrogen(N₂) into the discharge service valve to 0 PSIG.
- 5) Evacuate the system to 500 microns.
- 6) Close gauge manifold valves, stop the pump, and conduct a 30 minute rise test.
- 7) System should hold 500 microns for a minimum of 1 hour.
- 8) Fully open all stop valves on both sides of gas pipe and liquid pipe. Operating without fully opening lowers the performance and this causes trouble.
- 9) Refer to 1-3 and charge the prescribed amount of additional refrigerant if needed. Be sure to charge slowly with liquid refrigerant. Otherwise composition of the refrigerant in the system may be changed and affect performance of the air conditioner.
- 10) Remove gauge manifolds and replace service port caps and tighten.
- 11) Leak test



4-2. TEST RUN

- 1) Insert power supply plug into the power outlet and/or turn on the breaker.
- 2) Press the E.O. SW once. Test run will be performed for 30 minutes. If the left operation indicator light blinks every 0.5 seconds, inspect the indoor/outdoor unit connecting wire (A). After the test run, emergency COOL mode (75°F [24°C] COOL) will start.
- 3) To stop operation, press the E.O. SW several times until all LED lamps turn off. Refer to operating instructions for details.



Emergency operation switch (E.O. SW)

Checking the remote (infrared) signal reception

Press the ON/OFF button on the remote controller and listen for an audible indicator from the indoor unit. Press the ON/OFF button again to turn the air conditioner off.

- Once the compressor stops, the restart preventive device operates so the compressor will not operate for 3 minutes to protect the air conditioner.

4-3. AUTO RESTART FUNCTION

This product is equipped with an auto restart function. When the power supply is cut off during operation, such as during blackouts, the function automatically starts operation in the previous setting once the power supply is resumed. (Refer to the operating instructions for details.)

Caution:

- After test run or remote signal reception check, turn off the unit with the E.O. SW or the remote controller before turning off the power supply. If this procedure is not performed, the unit will automatically begin operation when power supply is resumed.

To the user

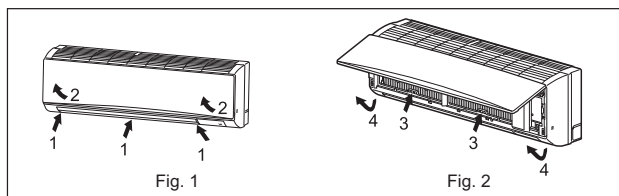
- After installing the unit, explain to the user about auto restart function.
- If auto restart function is unnecessary, it can be deactivated. Consult the service representative to deactivate the function. Refer to the service manual for details.

5. RELOCATING THE UNIT / MAINTENANCE

5-1. REMOVING AND INSTALLING THE PANEL ASSEMBLY

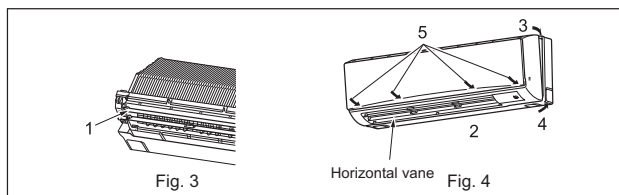
Removal procedure (Fig. 1, 2)

- 1) Remove the three screws that attach the panel assembly.
- 2) Open the front panel.
- 3) Remove the two screws that attach the panel assembly.
- 4) Remove the panel assembly. Be sure to remove its bottom end first.



Installation procedure (Fig. 3, 4)

- 1) Point the horizontal vane slightly downward.
- 2) Attach the bottom of the panel assembly under the horizontal vane.
- 3) Fit in the top of the panel assembly.
- 4) Fit in the bottom of the panel assembly and tighten it using screws.
- 5) Push the section of the front panel marked by the arrows to close the front panel securely.



5-2. REMOVING THE INDOOR UNIT

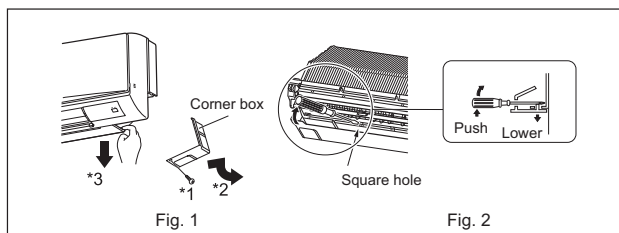
Remove the bottom of the indoor unit from the installation plate. (Fig. 1, 2)

- Remove the panel assembly. (Refer to 5-1)
- Insert flat screwdrivers into the square holes at the left and right bottom of the indoor unit and push them up; the bottom of the indoor unit goes down and the hooks are released.

*1 Remove the screw.

*2 Remove the tab of corner box from the indoor unit, and pull the corner box.

*3 Pull the indoor unit to remove.



5-3. PUMPING DOWN

When relocating or disposing of the air conditioner, pump down the system following the procedure below so that refrigerant is not released into the atmosphere.

- 1) Connect the gauge manifold valve to the service port of the stop valve on the gas pipe side of the outdoor unit.
- 2) Fully close the stop valve on the liquid pipe side of the outdoor unit.
- 3) Close the stop valve on the gas pipe side of the outdoor unit almost completely so that it can be easily closed fully when the pressure gauge shows 0 psi [Gauge] (0 Mpa).
- 4) Start the emergency COOL operation.

To start the emergency operation in COOL mode, disconnect the power supply plug and/or turn off the breaker. After 15 seconds, connect the power supply plug and/or turn on the breaker, and then press the E.O. SW once. (The emergency COOL operation can be performed continuously for up to 30 minutes.)
- 5) Fully close the stop valve on the gas pipe side of the outdoor unit when the pressure gauge shows (0.1 to 0 psi [Gauge] (0.05 to 0 Mpa)).
- 6) Stop the emergency COOL operation.

To stop operation, press the E.O. SW several times until all LED lamps turn off. Refer to operating instructions for details.

WARNING

When pumping down the refrigerant, stop the compressor before disconnecting the refrigerant pipes. The compressor may burst if air etc. get into it.

MITSUBISHI ELECTRIC CORPORATION

HEAD OFFICE: TOKYO BLDG., 2-7-3, MARUNOUCHI, CHIYODA-KU, TOKYO 100-8310, JAPAN


Outils nécessaires à l'installation

| | |
|--|---|
| Tournevis Phillips | Clé hexagonale de 5/32 in. (4 mm) |
| Niveau | Outil d'évasement pour le modèle R410A |
| Règle graduée | Collecteur à jauge pour le modèle R410A |
| Couteau tout usage ou paire de ciseaux | Pompe à vide pour le modèle R410A |
| Scie-cloche de 3 in. (75 mm) | Tuyau de charge pour le modèle R410A |
| Clé dynamométrique | Coupe-tuyaux avec alésoir |
| Clé à ouverture fixe (ou clé simple) | |

1. AVANT L'INSTALLATION

1-1. INSTRUCTIONS A TOUJOURS RESPECTER PAR MESURE DE SECURITE

- Veuillez à lire les présentes instructions et consignes de sécurité.
- Veuillez à respecter les avertissements et mises en garde spécifiés ici.
- Après la lecture de ce manuel, veuillez à le conserver avec les INSTRUCTIONS DE FONCTIONNEMENT pour référence ultérieure.
- Avant de brancher cet équipement au système d'alimentation, signalez-le au distributeur d'électricité ou demandez son accord.

⚠ AVERTISSEMENT (Pouvant entraîner des blessures graves, voire la mort.)

■ N'installez pas l'unité vous-même (utilisateur).

Une installation incorrecte ou incomplète peut être à l'origine d'un incendie, d'un choc électrique ou de blessures à la suite de la chute de l'unité ou de fuites d'eau. Contactez un technicien qualifié ou le revendeur à qui vous avez acheté l'unité.

■ Suivez les instructions détaillées dans le manuel d'installation.

Une installation incomplète peut être à l'origine d'un incendie, d'un choc électrique ou de blessures à la suite de la chute de l'unité ou de fuites d'eau.

■ Lors de l'installation de l'appareil, utiliser l'équipement de protection et les outils adéquats, par mesure de sécurité.

Le non-respect de ces recommandations peut être à l'origine de blessures.

■ Installez solidement l'unité dans un endroit capable de supporter son poids.

Si l'emplacement d'installation ne peut pas supporter le poids de l'unité, celle-ci risque de tomber et de provoquer des blessures.

■ Exécutez les travaux électriques selon le manuel d'installation et veillez à utiliser un circuit unique. Ne branchez pas d'autres appareils électriques au circuit.

Un circuit électrique d'une capacité insuffisante ou des travaux électriques incomplets peuvent être à l'origine d'un incendie ou d'un choc électrique.

■ Raccordez correctement l'unité à la terre.

Ne branchez pas le fil de terre à un tuyau de gaz ou d'eau, à un paratonnerre ou à la ligne de terre téléphonique. Une mise à la terre défectueuse peut entraîner un choc électrique.

■ Veillez à ne pas endommager les câbles.

Des câbles endommagés peuvent provoquer un incendie.

■ Veillez à toujours couper l'alimentation principale lors de la configuration de la carte à circuits imprimés interne ou du câblage.

Le non-respect de cette recommandation peut entraîner un choc électrique.

■ Utilisez les câbles spécifiés pour raccorder en toute sécurité les unités interne et externe. Fixez les câbles solidement pour éviter toute pression sur le bloc de raccordement.

Un raccordement incorrect peut provoquer un incendie.

■ N'installez pas l'unité dans un endroit exposé à des fuites de gaz inflammable.

La fuite ou l'accumulation de gaz autour de l'unité peut entraîner une explosion.

■ N'utilisez pas de raccord intermédiaire ou de rallonge pour brancher le cordon d'alimentation. Ne branchez pas plusieurs appareils à une prise secteur.

Cela peut provoquer un incendie ou un choc électrique.

■ Utilisez les pièces fournies ou spécifiées lors des travaux d'installation.

L'utilisation de pièces défectueuses peut être à l'origine de blessures ou de fuites d'eau dues à un incendie, un choc électrique, la chute de l'unité, etc.

■ Lors du branchement de la fiche d'alimentation dans la prise secteur, vérifiez qu'aucune poussière, saleté ni d'élément desserré n'est présent sur la prise et la fiche. Veillez à enfoncer à fond la fiche d'alimentation dans la prise secteur.

La présence de poussière, de saleté ou d'éléments desserrés sur la fiche d'alimentation ou la prise secteur peut entraîner un choc électrique ou un incendie. Remplacez les éventuels éléments desserrés.

■ Fixez correctement le couvercle du boîtier électrique de l'unité interne et le panneau de service de l'unité externe.

Si le couvercle du boîtier électrique de l'unité interne et/ou le panneau de service de l'unité externe sont mal fixés, ils risquent de provoquer un incendie ou un choc électrique en raison de la poussière, de l'eau, etc. présentes dans le circuit.

■ Lors de l'installation, du déplacement ou de l'entretien de l'appareil, veiller à ce qu'aucune substance autre que le réfrigérant spécifié (R410A) ne pénètre dans le circuit de réfrigération.

La présence d'une substance étrangère, comme de l'air dans le circuit, peut provoquer une augmentation anormale de la pression et causer une explosion, voire des blessures. L'utilisation de réfrigérant autre que celui qui est spécifié pour le système provoquera une défaillance mécanique, un mauvais fonctionnement du système, ou une panne de l'appareil. Dans le pire des cas, la sécurité du produit pourrait être gravement mise en danger.

■ Ne libérez pas le réfrigérant dans l'atmosphère. Vérifiez l'absence de fuites de gaz réfrigérant une fois l'installation terminée. En cas de fuite de réfrigérant pendant l'installation, aérez la pièce.

Si le réfrigérant entre en contact avec un feu, des substances toxiques peuvent se dégager. Si le réfrigérant entre en contact avec la flamme d'un appareil de chauffage à ventilation, chauffage d'appoint, poêle, etc., des substances toxiques peuvent se dégager.

■ Utilisez les outils et l'équipement de tuyauterie adaptés à l'installation.

La pression du réfrigérant R410A est 1,6 fois supérieure à celle du R22. L'utilisation d'outils et d'équipements non adaptés ou une installation incomplète peut provoquer l'éclatement des tuyaux et blesser quelqu'un.

■ Pendant l'opération d'aspiration du réfrigérant, arrêtez le compresseur avant de débrancher les tuyaux de réfrigérant.

Si les tuyaux de réfrigérant sont débranchés alors que le compresseur fonctionne et si le robinet d'arrêt est ouvert, de l'air pourrait être aspiré et la pression du cycle de réfrigération pourrait augmenter de façon anormale, entraînant l'explosion des tuyaux.

■ Pendant l'installation de l'unité, branchez correctement les tuyaux de réfrigérant avant de lancer le compresseur.

Si le compresseur démarre avant le branchement des tuyaux de réfrigérant et si le robinet d'arrêt est ouvert, de l'air pourrait être aspiré et la pression du cycle de réfrigération pourrait augmenter de façon anormale, entraînant l'explosion des tuyaux.

■ Fixez un écrou évasé avec une clé dynamométrique comme spécifié dans ce manuel.

S'il est trop serré, il risque de se rompre et de provoquer une fuite de réfrigérant.

■ Installez l'unité conformément aux normes électriques nationales.

⚠ ATTENTION (Pouvant entraîner des blessures graves si l'unité n'est pas utilisée correctement.)

■ Installez un disjoncteur de fuites à la terre selon l'endroit d'installation.

Si le disjoncteur de fuites à la terre n'est pas installé, un choc électrique peut se produire.

■ Réalisez les travaux de vidange/tuyauterie conformément au manuel d'installation.

Si les travaux de vidange/tuyauterie ne sont pas réalisés correctement, de l'eau pourrait s'écouler de l'unité et endommager le mobilier.

■ Ne touchez ni l'entrée d'air ni les ailettes en aluminium de l'unité externe. Cela peut provoquer des blessures.

■ N'installez pas l'unité externe à proximité de l'habitat de petits animaux.

Si des petits animaux entrent dans l'unité et endommagent ses composants électriques, ils peuvent provoquer un dysfonctionnement, des émissions de fumée ou un incendie. Nettoyez régulièrement la périphérie de l'unité.

1-2. CHOIX DE L'EMPLACEMENT D'INSTALLATION

UNITE INTERNE

- Emplacement favorisant la circulation d'air.
- Emplacement favorisant la répartition de l'air dans la pièce.
- Mur solide sans vibration.
- Emplacement non exposé aux rayons directs du soleil. Ne pas exposer aux rayons directs du soleil pendant la période entre le déballage et l'utilisation.
- Emplacement permettant d'effectuer facilement la vidange.
- Emplacement à une distance de 3 ft. (1 m) minimum d'un téléviseur et d'une radio. Le fonctionnement du climatiseur peut interférer avec la réception TV ou radio. Il peut s'avérer nécessaire de brancher un amplificateur sur l'appareil concerné.
- Emplacement aussi éloigné que possible des lampes fluorescentes et à lumière incandescente (de façon à ce que le climatiseur puisse capter les signaux infrarouges envoyés par la télécommande).
- Emplacement permettant de déposer et de remplacer facilement le filtre à air.

Remarque :

Installez l'unité interne à une certaine hauteur sur le mur pour répartir l'air uniformément dans la pièce.

TELECOMMANDE

- Emplacement dont l'accès est facile et visible.
- Emplacement hors de portée des enfants.
- Emplacement à environ 4 ft. (1,2 m) au-dessus du sol. Vérifiez que l'unité interne reçoit les signaux envoyés par la télécommande à partir de cet emplacement (un ou deux signaux sonores indiquent que la réception est

bonne). Puis, fixez le support de la télécommande sur un pilier ou un mur et placez-y la télécommande sans fil.

Remarque :

L'unité interne risque de ne pas recevoir les signaux de la télécommande dans des pièces éclairées par des lampes fluorescentes à inversion.

UNITE EXTERNE

- Emplacement à l'abri de vents violents.
- Emplacement favorisant une bonne circulation d'air sans poussière.
- Emplacement ne générant pas de nuisance pour les voisins (bruit de fonctionnement ou air chaud).
- Emplacement sur un mur ou un support rigide pour éviter l'augmentation du bruit de fonctionnement ou des vibrations.
- Emplacement qui ne risque pas d'être exposé à des fuites de gaz combustible.
- Lorsque l'unité est placée en hauteur, les pieds doivent être fixés.
- Emplacement à une distance de 10 ft. (3 m) minimum de l'antenne TV ou radio. Le fonctionnement du climatiseur peut interférer avec la réception TV ou radio dans des zones où la réception est faible. Il peut s'avérer nécessaire de brancher un amplificateur sur l'appareil concerné.
- Installez l'unité horizontalement.
- Installez l'unité dans un endroit à l'abri du vent et de la neige. Dans les zones soumises à de fortes chutes de neige, installez un abri, un socle et/ou des écrans de protection.

Remarque :

- Il est conseillé de faire une boucle avec le tuyau à proximité de l'unité externe pour réduire les vibrations.
- Pour une meilleure efficacité, installez l'unité externe dans un endroit à l'abri des rayons directs du soleil et des chutes excessives d'eau.

Remarque :

Si vous utilisez le climatiseur alors que la température extérieure est basse, veillez à observer les instructions ci-dessous.

- N'installez jamais l'unité externe dans un endroit où le côté présentant l'entrée/la sortie d'air risque d'être directement exposé au vent.
- Pour protéger l'unité externe du vent, installez-la de façon à ce que l'entrée d'air soit face au mur et placez un écran de protection du côté de la sortie. Pour éviter tout dysfonctionnement, ne placez pas le climatiseur dans les endroits suivants.
- En présence de fuites de gaz inflammable.
- En présence d'une quantité excessive d'huile de machine dans l'air.
- Dans des endroits exposés à des projections d'huile ou dont l'atmosphère est chargée d'huile (tels que les centres de cuisson et les usines susceptibles de modifier et d'altérer les caractéristiques du plastique).
- En présence d'air salé (bord de mer).
- En présence de gaz sulfurique (source thermique).
- En présence d'équipements haute fréquence ou sans fil.
- En présence d'émissions importantes de COV (composés organiques volatiles), dont les composés de phtalate, le formaldéhyde etc., qui peuvent provoquer un craquage chimique.

1-3. FICHE TECHNIQUE

1-3-1. BRANCHEMENT DU CORDON D'ALIMENTATION ET DU CABLE DE CONNEXION DE L'UNITE INTERNE/EXTERNE

- L'alimentation doit provenir d'un circuit unique.
- Les travaux de câblage doivent respecter les normes techniques en vigueur.
- Les raccordements doivent correspondre au schéma de câblage.
- Serrez fermement les vis.

Raccordement des câbles et du câble de terre

- Utiliser un conducteur massif min. AWG14 ou un conducteur toronné min. AWG14.
- Utilisez un câble en cuivre à double blindage avec isolation 600 V.
- Utilisez des conducteurs en cuivre uniquement.

* Respectez la réglementation électrique locale en vigueur.

Cordon d'alimentation et câble de terre

- Utiliser un conducteur massif ou toronné min. AWG10.
- Utilisez des conducteurs en cuivre uniquement.

* Respectez la réglementation électrique locale en vigueur.

Remarque :

Lorsque l'unité interne est alimentée par l'unité externe, vous devez installer un sectionneur sur un circuit électrique conformément à la réglementation locale en vigueur.

1-3-2. CONDUITES DE REFRIGERANT

- Pour éviter la formation de condensation, isolez les deux conduites de réfrigérant.
- Le rayon de pliage de la conduite de réfrigérant doit être de 4 in. (100 mm) minimum.

ATTENTION

Utilisez toujours un matériau d'isolation de l'épaisseur spécifiée (tableau à droite). Une isolation trop épaisse peut être à l'origine d'une installation incorrecte de l'unité interne ; une isolation trop fine peut provoquer la formation de condensation.

- L'unité comporte des raccordements évasés sur les faces intérieure et extérieure.
- Retirez le couvercle de vanne de l'unité externe et raccordez le tuyau.
- Les conduites de réfrigérant servent à raccorder les unités interne et externe.
- Veillez à ne pas écraser ni plier de manière excessive le tuyau lors de sa mise en forme.

- Réglage du réfrigérant... Si la longueur du tuyau dépasse 25 ft. (7,5 m), une quantité supplémentaire de réfrigérant (R410A) doit être ajoutée. (L'unité externe contient du réfrigérant pour une longueur de tuyau inférieure à 25 ft. [7,5 m])

Spécifications électriques

| MODELE | MSY-D30NA | MSY-D36NA | MSZ-D30NA | MSZ-D36NA |
|--|---|-----------|-----------|-----------|
| UNITE INTERNE | | | | |
| Alimentation (V, PHASE, Hz) | 208/230, 1, 60 | | | |
| Intensité min. du circuit (A) | 1.0 | | | |
| Moteur du ventilateur (F.L.A.) | 0.76 | | | |
| UNITE EXTERNE | | | | |
| Alimentation (V, PHASE, Hz) | 208/230, 1, 60 | | | |
| Taille max. des fusibles (temporisé) (A) | 25 | | | |
| Intensité min. du circuit (A) | 21 | | | |
| Moteur du ventilateur (F.L.A.) (A) | 0.93 | | | |
| Compresseur | (R.L.A.) (A) | 16 | | |
| | (L.R.A.) (A) | 20 | | |
| Tension de commande | Unité interne - Télécommande : (sans fil) Unité interne - Unité externe : 12-24 V c.c. (polaire) | | | |

| Tuyau | Diamètre extérieur | Épaisseur minimum du mur | Épaisseur de l'isolation | Matériau d'isolation |
|-------------------|--------------------|--------------------------|--------------------------|--|
| | | | | |
| Pour les liquides | 3/8 (9.52) | 0.0315 (0.8) | 5/16 (8) | Plastique expansé résistant à la chaleur d'une densité spécifique de 0,045 |
| Pour le gaz | 5/8 (15.88) | 0.0394 (1.0) | 5/16 (8) | |

| Limites | |
|-----------------------|---------------------|
| Longueur de tuyau | 100 ft. (30 m) max. |
| Différence de hauteur | 50 ft. (15 m) max. |
| Nombre de coudes | 10 max. |

| | | |
|-------------------|------------------------|---|
| Longueur de tuyau | 25 ft. (7,5 m) maximum | Aucune quantité supplémentaire n'est requise. |
| | 25 ft. (7,5 m) minimum | Une quantité supplémentaire est requise. (Se reporter au tableau ci-dessous.) |

| | | |
|-----------------------|--------------|----------------------------|
| Réfrigérant à ajouter | MSZ-D30/36NA | 2,96 oz par 5 ft. (55 g/m) |
| | MSY-D30/36NA | 1,08 oz par 5 ft. (20 g/m) |

1-4. SCHEMA D'INSTALLATION

ACCESSOIRES

Vérifiez les pièces suivantes avant l'installation.
<Unité interne>

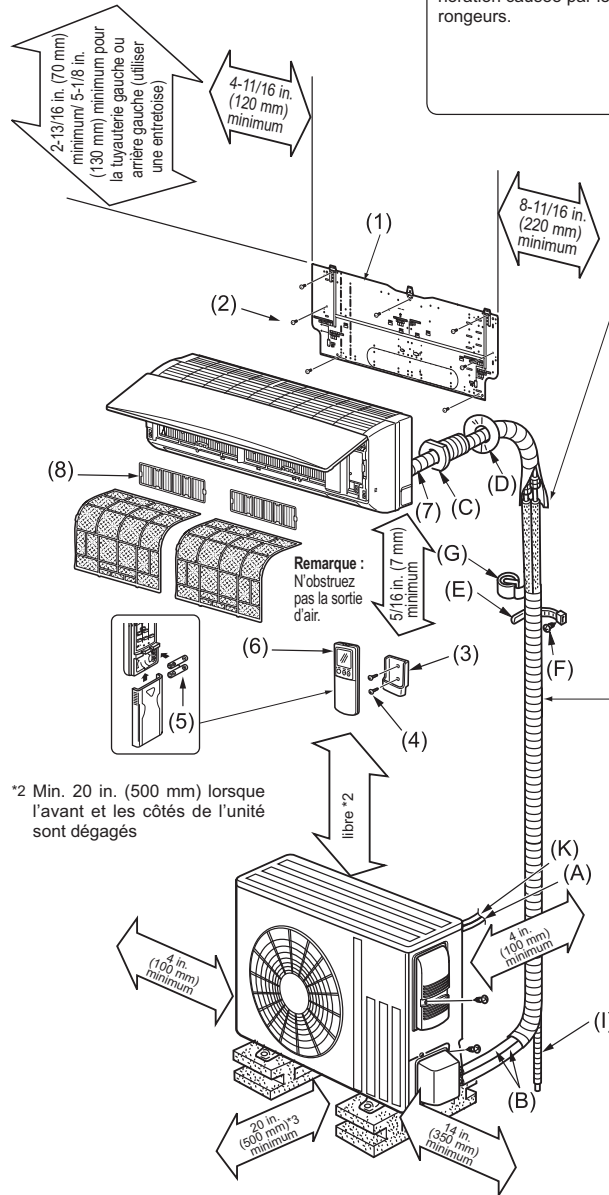
| | | |
|------|--|---|
| (1) | Gabarit d'installation | 1 |
| (2) | Vis de fixation du gabarit d'installation 4 x 25 mm | 7 |
| (3) | Support de la télécommande | 1 |
| (4) | Vis du support de la télécommande 3,5 x 16 mm (noir) | 2 |
| (5) | Pile (AAA) pour (6) | 2 |
| (6) | Télécommande sans fil | 1 |
| (7) | Bande de feutre (pour la tuyauterie gauche ou arrière gauche) | 2 |
| (8) | Filtre d'épuration d'air | 2 |
| (9) | Écrou de charge | 1 |
| (10) | Raccord en L | 1 |

PIECES FOURNIES SUR CHANTIER

| | | |
|-----|--|-------|
| (A) | Câble de connexion de l'unité interne/externe *1 | 1 |
| (B) | Tuyau télescopique | 1 |
| (C) | Manchon d'ouverture murale | 1 |
| (D) | Cache d'ouverture murale | 1 |
| (E) | Bande de fixation de tuyau | 2 à 5 |
| (F) | Vis pour (E) 4 x 20 mm | 2 à 5 |
| (G) | Ruban adhésif de tuyauterie | 1 |
| (H) | Mastic | 1 |
| (I) | Tuyau d'écoulement (ou tuyau en PVC souple, 19/32 in. [15 mm] de diamètre intérieur ou tuyau en PVC dur VP16) | 1 |
| (J) | Huile réfrigérante | 1 |
| (K) | Cordon d'alimentation *1 | 1 |

Remarque :

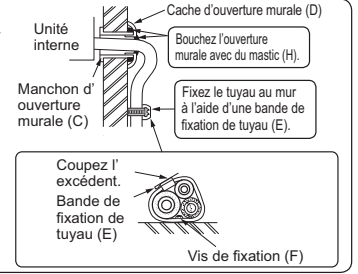
*1 Placez le câble de connexion de l'unité
interne/externe (A) et le cordon d'alimenta-
tion (K) à 3 ft. (1 m) minimum du câble de l'
antenne TV.



*2 Min. 20 in. (500 mm) lorsque
l'avant et les côtés de l'unité
sont dégagés

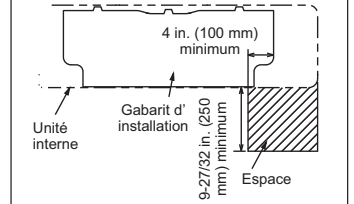
*3 Lorsque l'un des 2 côtés
(gauche ou droit) et l'arrière
de l'unité sont dégagés

Utilisez le manchon d'
ouverture murale (C) pour
éviter tout contact entre le
câble de connexion de l'
unité interne/externe (A)
et les pièces métalliques
du mur ou toute dété-
rioration causée par les
rongeurs.



Après le contrôle des fuites, appliquez
soigneusement du matériau d'isolation
pour obstruer les trous.

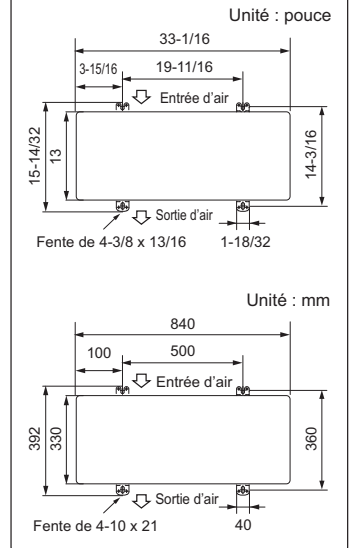
**Espace de fonctionnement de l'unité
interne**
Laissez l'espace indiqué sur l'illustration
pour l'entretien.



Si la tuyauterie doit être fixée sur un mur
contenant de l'étain ou un treillis métalli-
que, utilisez un morceau de bois traité d'
une épaisseur de 25/32 in. (20 mm) mi-
nimum entre le mur et la tuyauterie en lui
appliquant 7 à 8 couches de ruban adhésif
en vinyle.

Pour utiliser la tuyauterie existante,
lancez le mode de REFROIDISSEMENT
(COOL) pendant 30 minutes et purgez
avant de déposer l'ancien climatiseur. Ef-
fectuez l'évasement selon les dimensions
du nouveau réfrigérant.

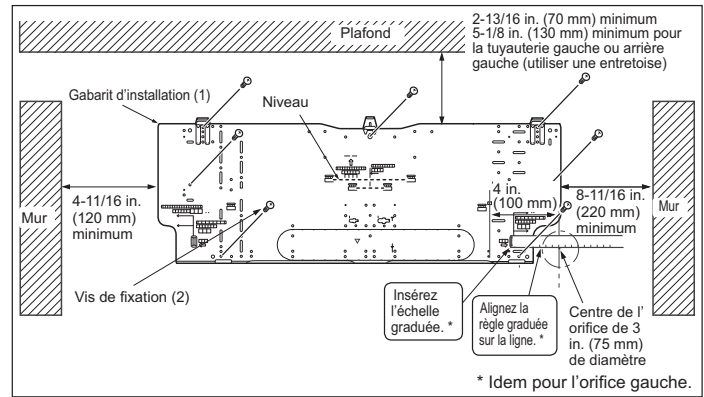
Installation de l'unité externe



2. INSTALLATION DE L'UNITE INTERNE

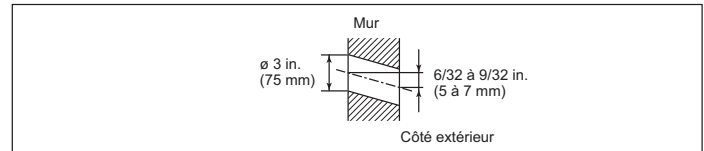
2-1. FIXATION DU GABARIT D'INSTALLATION

- Repérez un goujon dans le mur pour fixer le gabarit d'installation (1) horizontalement en serrant fermement les vis de fixation (2).
- Pour éviter toute vibration du gabarit d'installation (1), veillez à installer les vis de fixation dans les orifices indiqués sur l'illustration. Pour un support supplémentaire, des vis peuvent également être installées dans d'autres orifices.
- Si le boulon à encastrer est trop long, remplacez-le par un boulon plus court (fourni sur chantier).



2-2. PERCEMENT

- Déterminez la position des orifices sur le mur.
- Percez un orifice de 3 in. (75 mm) de diamètre. Le côté extérieur doit être 6/32 à 9/32 in. (5 à 7 mm) plus bas que le côté intérieur.
- Insérez le manchon d'ouverture murale (C).

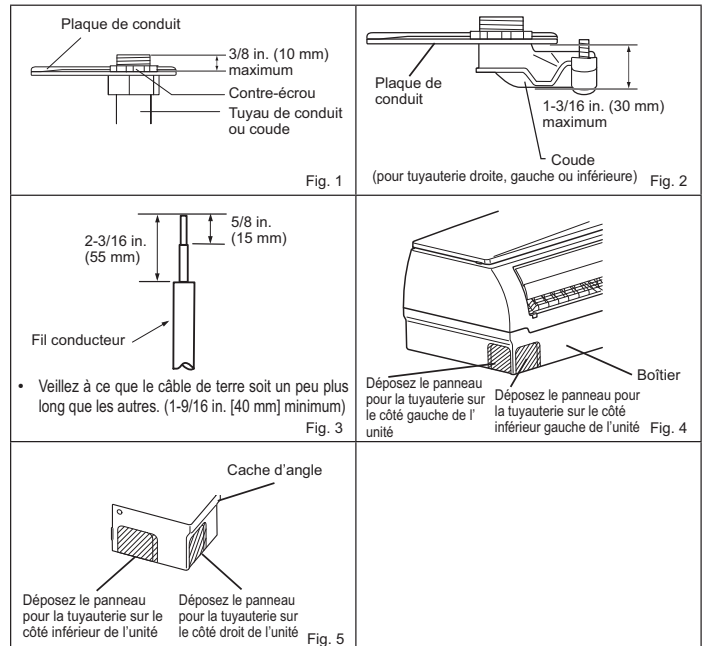
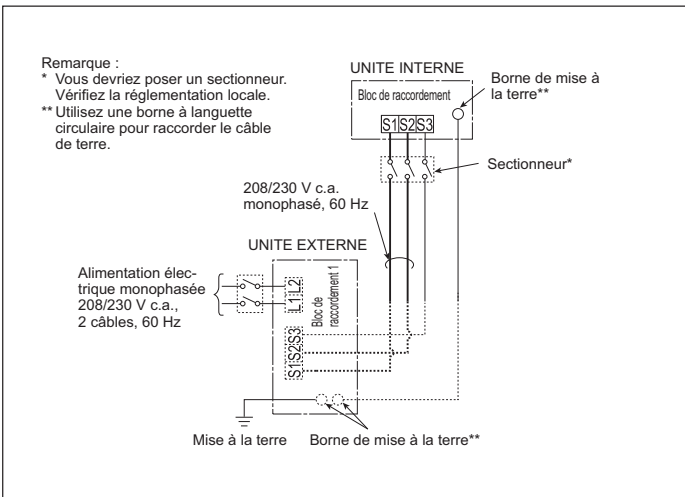
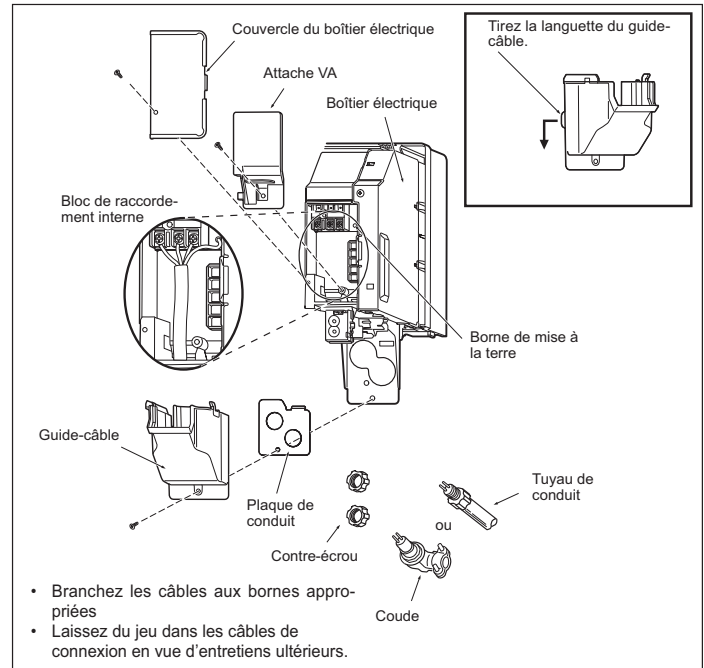


2-3. RACCORDEMENT DES CABLES DE L'UNITE INTERNE

Remarque :

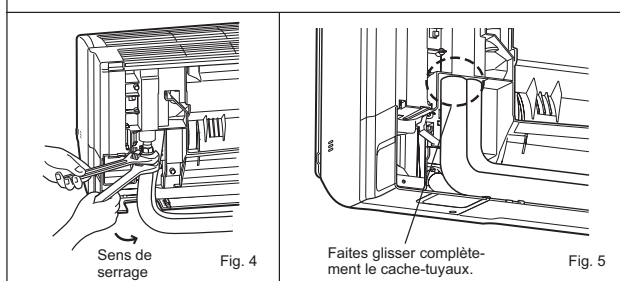
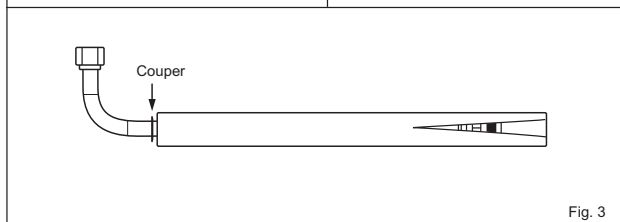
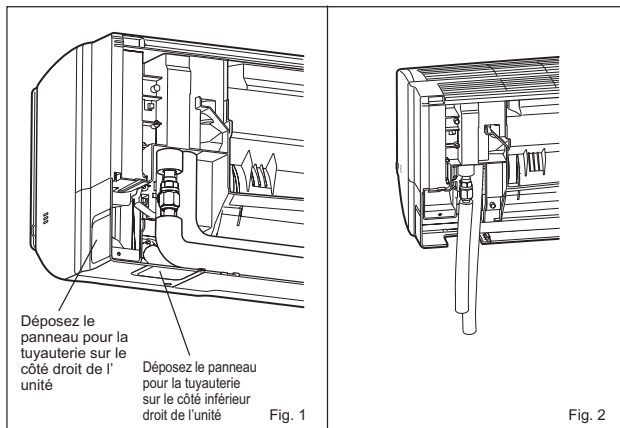
Lorsque l'unité interne est alimentée par l'unité externe, vous devez installer un sectionneur sur un circuit électrique conformément à la réglementation locale en vigueur.

- Ouvrez le panneau frontal.
- Placez la partie supérieure de l'unité interne sur le gabarit d'installation.
- Déposez le couvercle du boîtier électrique.
- Retirez l'attache VA.
- Déposez le cache d'angle.
- Retirez le guide-câble.
- Déposez la plaque de conduit.
- Fixez le tuyau de conduit (pour la tuyauterie arrière) / le coude (pour la tuyauterie droite, gauche ou inférieure) sur la plaque de conduit à l'aide d'un contre-écrou. Le filetage du tuyau de conduit / du coude apparaissant à l'intérieur doit être inférieur à 3/8 in. (10 mm). (Fig. 1) A l'extérieur, le coude doit sortir de moins de 1-3/16 in. (30 mm). (Fig. 2)
- Préparez l'extrémité du câble de terre (Fig. 3). Branchez-la à la borne de mise à la terre du boîtier électrique.
- Préparez l'extrémité du câble de connexion de l'unité interne/externe (A) (Fig.3). Branchez-la au bloc de raccordement. Veillez à ne pas effectuer d'erreur de branchement. Fixez fermement le câble au bloc de raccordement pour ne pas faire apparaître son noyau et n'appliquez aucune force extérieure à la section de branchement du bloc de raccordement.
- Serrez fermement les vis de fixation. Après l'opération de serrage, vérifiez que les câbles sont bien fixés.
- Reposez la plaque de conduit.
- Réinstallez le guide-câble.
- Selon le sens de la tuyauterie, déposez la partie ombrée du côté gauche du boîtier (Fig.4) ou du cache d'angle (Fig. 5).
- Reposez l'attache VA.
- Réinstallez le couvercle du boîtier électrique.
- Reposez le panneau.



2-4. INSTALLATION DU RACCORD EN L

- 1) Installez le raccord en L (10) à l'arrière de l'unité. Positionnez le raccord en L (10) selon le sens de la tuyauterie. (Fig. 1)
 - Pour la tuyauterie inférieure (Fig. 2)
 - Coupez le raccord en L (10) à la position illustrée à la Fig. 3.
 - Déposez l'écrou-union de l'unité et installez-le sur le raccord en L (10).
 - Évasez l'extrémité du raccord en L (10).
- 2) Utilisez deux clés dynamométriques pour serrer l'écrou. (couple de serrage 65 N·m) (Fig. 4)
- 3) Installez l'écrou de charge (9) sur le tuyau de réfrigérant qui relie l'unité interne à l'unité externe.
- 4) Effectuez le test de contrôle des fuites de la partie raccordée (partie serrée à l'étape "2"). L'écrou côté gaz doit rester en place.
- 5) Faites glisser le cache-tuyaux du raccord en L (10) et couvrez le raccord. (Fig. 5)



2-5. MISE EN FORME DE TUYAU ET TUYAU DE VIDANGE

2-5-1. MISE EN FORME DE TUYAU

- Placez le tuyau de vidange sous la conduite de réfrigérant.
- Assurez-vous que le tuyau de vidange n'est ni encombré ni plié.
- Ne tirez pas sur le tuyau pour y appliquer le ruban adhésif.
- Lorsque le tuyau de vidange passe dans la pièce, veillez à l'envelopper d'un morceau de matériau d'isolation (fourni sur chantier).

Remarque :

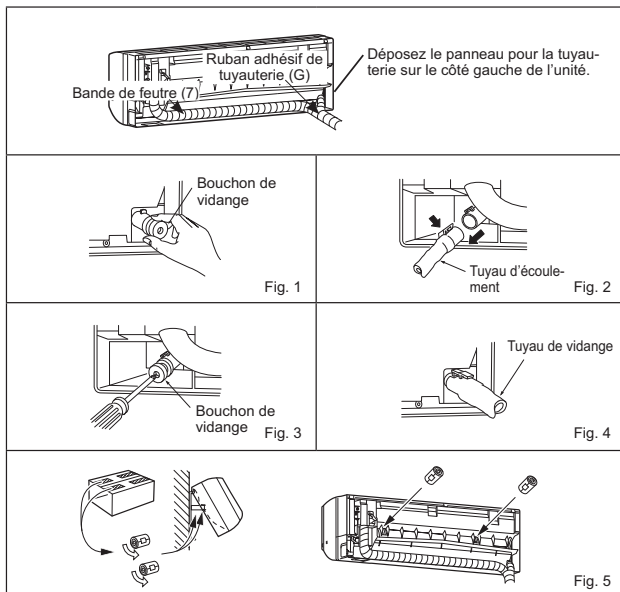
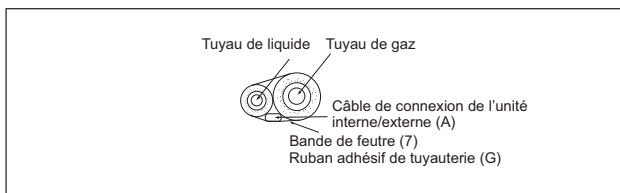
Veillez à ne pas endommager le cache de la conduite de réfrigérant lors de sa fixation avec les vis.

Tuyauterie gauche ou arrière gauche

Remarque :

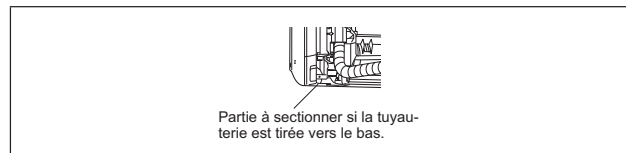
Veillez à fixer de nouveau le tuyau et le bouchon de vidange si la tuyauterie a été installée sur le côté gauche ou inférieur gauche de l'unité. Sinon, de l'eau pourrait s'écouler du tuyau de vidange.

- 1) Assemblez la conduite de réfrigérant et le tuyau de vidange, puis recouvrez-les d'une bande de feutre (7) à partir de l'extrémité. La largeur de chevauchement de la bande de feutre (7) doit correspondre au 1/3 de la largeur de la bande. Utilisez une agrafe de bande à l'extrémité de la bande de feutre (7).
- 2) Retirez le bouchon de vidange du côté arrière droit de l'unité interne. (Fig. 1)
 - Immobilisez l'extrémité de la partie convexe et retirez le bouchon de vidange.
- 3) Retirez le tuyau de vidange du côté arrière gauche de l'unité interne. (Fig. 2)
 - Immobilisez l'attache indiquée par les flèches et tirez le tuyau de vidange vers l'avant.
- 4) Placez le bouchon de vidange sur la section sur laquelle le tuyau de vidange doit être fixé à l'arrière de l'unité interne. (Fig. 3)
 - Insérez un tournevis dans l'orifice situé sur le bouchon et enfoncez complètement le bouchon dans le bac de vidange.
- 5) Insérez complètement le tuyau de vidange dans le bac de vidange sur le côté arrière droit de l'unité interne. (Fig. 4)
 - Veillez à ce que le tuyau soit fermement fixé sur le bac de vidange grâce à la saillie qui se trouve sur la partie insérée.
- 6) Insérez le tuyau de vidange dans le manchon d'ouverture murale (C) et fixez la partie supérieure de l'unité interne sur le gabarit d'installation (1). Déplacez ensuite l'unité interne complètement vers la gauche pour faciliter le placement de la tuyauterie à l'arrière de l'unité.
- 7) Découpez deux parties du carton d'expédition (utilisez deux des quatre parties), roulez-les, fixez-les sur la saillie arrière et utilisez-les comme entretoise pour soulever l'unité interne. (Fig. 5)
- 8) Raccordez la conduite de réfrigérant à l'aide du tuyau télescopique (B).
- 9) Fixez la partie inférieure de l'unité interne sur le gabarit d'installation (1).



Tuyauterie arrière ou inférieure

- 1) Assemblez la conduite de réfrigérant et le tuyau de vidange, puis recouvrez-les de ruban adhésif de tuyauterie (G) à partir de l'extrémité.
- 2) Insérez la tuyauterie et le tuyau de vidange dans le manchon d'ouverture murale (C) et fixez la partie supérieure de l'unité interne sur le gabarit d'installation (1).
- 3) Vérifiez si l'unité interne est correctement fixée sur le gabarit d'installation (1) en la déplaçant d'un côté à l'autre.
- 4) Fixez la partie inférieure de l'unité interne sur le gabarit d'installation (1).

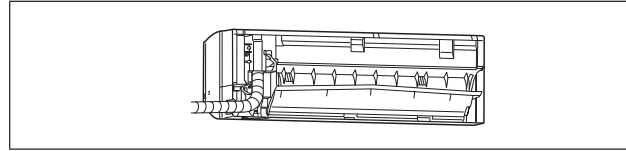


Tuyauterie droite

Remarque :

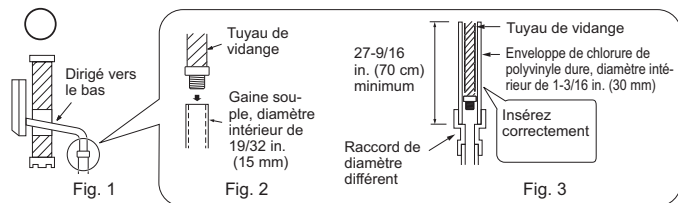
Avant d'effectuer la procédure suivante, vérifiez que le câblage est terminé et que le cache de conduit est installé. (Se reporter à la section 2-3.)

- 1) Assemblez la conduite de réfrigérant et le tuyau de vidange, déplacez-les vers le côté gauche de l'unité, puis recouvrez-les de ruban adhésif de tuyauterie (G) à partir de l'extrémité.
- 2) Insérez la tuyauterie et le tuyau de vidange dans le manchon d'ouverture murale (C) et fixez la partie supérieure de l'unité interne sur le gabarit d'installation (1).
- 3) Vérifiez si l'unité interne est correctement fixée sur le gabarit d'installation (1) en la déplaçant d'un côté à l'autre.
- 4) Fixez la partie inférieure de l'unité interne sur le gabarit d'installation (1).

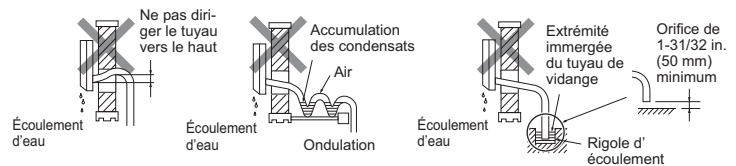


2-5-2. TUYAU DE VIDANGE

- Si la rallonge du tuyau de vidange doit traverser la pièce, veillez à l'envelopper d'un morceau de matériau d'isolation (fourni sur chantier).
- Le tuyau de vidange doit être dirigé vers le bas pour faciliter l'écoulement. (Fig. 1)
- Si le tuyau de vidange fourni avec l'unité interne est trop court, branchez-le au tuyau de vidange fourni sur chantier (I). (Fig. 2)
- Lors du raccordement du tuyau de vidange à une enveloppe de chlorure de polyvinyle dure, veillez à l'insérer correctement dans l'enveloppe. (Fig. 3)



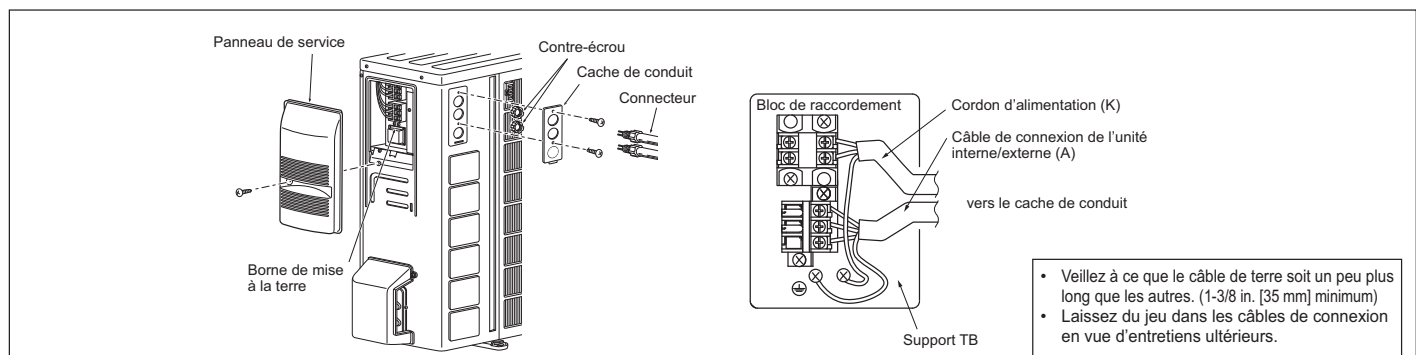
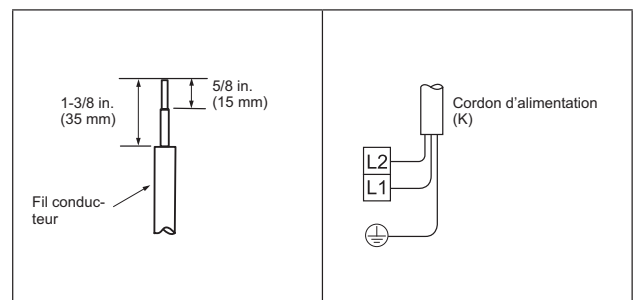
Les exemples d'installation du tuyau de vidange illustrés ci-dessous sont à éviter.



3. INSTALLATION DE L'UNITE EXTERNE

3-1. RACCORDEMENT DES CABLES DE L'UNITE EXTERNE

- 1) Retirez le panneau de service.
- 2) Déposez le cache de conduit.
- 3) Attachez le connecteur de conduit au cache à l'aide d'un contre-écrou et fixez-le contre l'unité avec des vis.
- 4) Raccordez les câbles de terre du câble de connexion de l'unité interne/externe (A) et le cordon d'alimentation (K) au support TB.
- 5) Desserrez la vis de raccordement et branchez le câble de connexion de l'unité interne/externe (A) depuis l'unité interne au bloc de raccordement. Fixez fermement le câble au bloc de raccordement pour ne pas faire apparaître son noyau et n'appliquez aucune force extérieure à la section de branchement du bloc de raccordement.
- 6) Serrez fermement les vis de fixation. Après l'opération de serrage, vérifiez que les câbles sont bien fixés.
- 7) Branchez le cordon d'alimentation (K).
- 8) Installez le cache de conduit.
- 9) Remettez correctement le panneau de service.



| Diamètre du tuyau en pouce (mm) | B en pouce (mm) | A en pouce (mm) | | | Couple de serrage | |
|---------------------------------|-----------------|--|--------------------------------------|-------------------------------------|---------------------|-------------|
| | | Outil à manivelle pour le modèle R410A | Outil à manivelle pour le modèle R22 | Ecrou à oreilles pour le modèle R22 | pi-lb (kgf·cm) | N·m |
| ø 1/4 (6,35) | 21/32 (17) | 0 - 0,02 (0 - 0,5) | 0,04 - 0,06 (1,0 - 1,5) | 0,06 - 0,08 (1,5 - 2,0) | 10 - 13 (140 - 180) | 13,7 - 17,7 |
| ø 3/8 (9,52) | 7/8 (22) | | | | 25 - 30 (350 - 420) | 34,3 - 41,2 |
| ø 1/2 (12,7) | 1-1/32 (26) | | | | 36 - 42 (500 - 575) | 49,0 - 56,4 |
| ø 5/8 (15,88) | 1-5/32 (29) | | | | 54 - 58 (750 - 800) | 73,5 - 78,4 |

3-2. RACCORD EVASE

- 1) Coupez correctement le tuyau de cuivre avec un coupe-tuyaux. (Fig. 1, 2)
- 2) Ébarbez parfaitement la partie tronçonnée du tuyau en évitant d'introduire des éclats de métal dans la tuyauterie. (Fig. 3)
- 3) Retirez les écrous évasés fixés sur les unités interne et externe, puis posez-les sur le tuyau.
- 4) Travaux d'évasement (Fig. 4, 5). Tenez fermement le tuyau de cuivre à la dimension indiquée dans le tableau. Sélectionnez A mm dans le tableau suivant l'outil que vous utilisez.
- 5) Contrôle
 - Comparez les travaux d'évasement à la Fig. 6.
 - Si l'évasement n'est pas conforme, coupez la section et recommencez la procédure.

3-3. RACCORDEMENT DES TUYAUX

- Serrez l'écrou évasé avec une clé dynamométrique comme spécifié dans le tableau ci-dessus.
- S'il est trop serré, il risque de se rompre et de provoquer une fuite de réfrigérant.
- Assurez-vous que la tuyauterie est enveloppée d'isolant. Un contact direct avec la tuyauterie nue peut entraîner des brûlures ou des engelures.

Raccordement de l'unité interne

- Raccordez les deux tuyaux de liquide et de gaz à l'unité interne.
- Appliquez une fine couche d'huile réfrigérante (J) sur les extrémités évasées des tuyaux. N'appliquez pas d'huile réfrigérante sur les filetages. Un couple de serrage excessif endommagera la vis.
 - Pour effectuer le raccordement, alignez d'abord le centre, puis serrez l'écrou évasé de 3 à 4 tours.
 - Respectez les couples de serrage indiqués dans le tableau ci-dessus pour raccorder la tuyauterie de l'unité interne et serrez avec deux clés. Un serrage excessif risque d'endommager la partie évasée.

Raccordement de l'unité externe

- Raccordez les tuyaux au raccord de tuyau du robinet d'arrêt de l'unité externe de la même façon que pour l'unité interne.
- Pour le serrage, utilisez une clé dynamométrique ou plate.

⚠ AVERTISSEMENT

Pendant l'installation de l'appareil, branchez correctement les tuyaux de réfrigérant avant de lancer le compresseur.

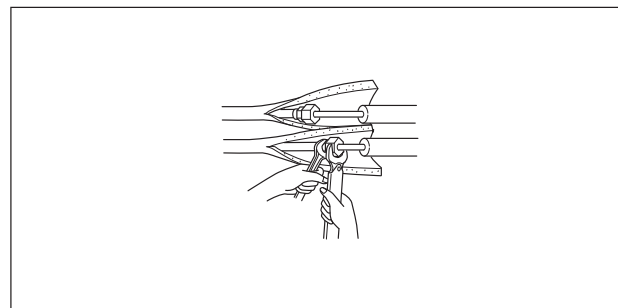
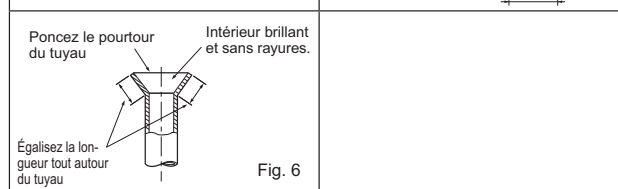
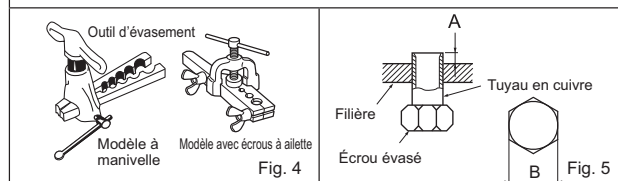
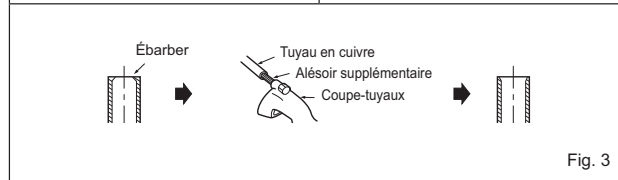
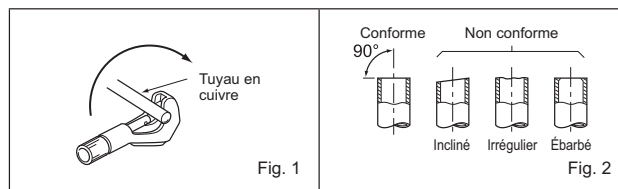
3-4. ISOLATION THERMIQUE ET RUBANAGE

- 1) Recouvrez les raccords de tuyauterie d'une bande isolante pour tuyaux.
- 2) Du côté de l'unité externe, isolez chaque tuyau, vannes incluses.
- 3) Appliquez du ruban adhésif de tuyauterie (G) en commençant par l'entrée de l'unité externe.
 - Si la tuyauterie doit passer par le plafond, un placard ou dans un endroit où la température et l'humidité sont élevées, ajoutez une couche supplémentaire de bande isolante fournie sur chantier pour éviter la formation de condensation.

4. PROCEDURES DE PURGE, TEST DE CONTROLE DES FUITES ET ESSAI DE FONCTIONNEMENT

4-1. PROCEDURES DE PURGE ET TEST DE CONTROLE DES FUITES

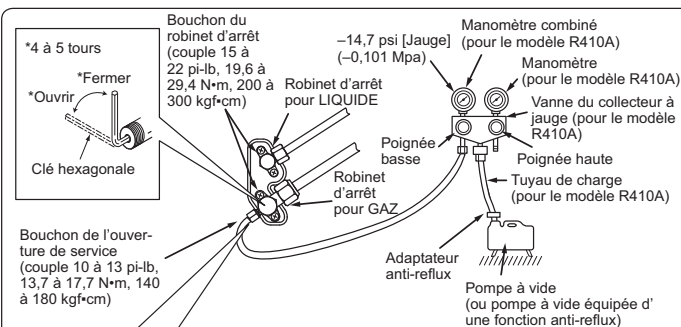
- 1) Retirez les bouchons des ouvertures de service des robinets d'arrêt des deux côtés des tuyaux de réfrigérant. (Les robinets d'arrêt sont entièrement fermés à la livraison.) Laissez-les fermés.
- 2) Raccordez le collecteur à jauge aux ouvertures des robinets d'arrêt.
- 3) Purgez le système à 4000 microns via les deux vannes de service. Les jauges du collecteur système ne peuvent pas être utilisées pour mesurer la dépression. Une jauge micrométrique doit toujours être utilisée. Cassez la dépression en introduisant de l'azote (N₂) dans la soupape de refolement de service à 0 PSIG.
- 4) Purgez le système à 1500 microns. Cassez la dépression en introduisant de l'azote (N₂) dans la soupape de refolement de service à 0 PSIG.
- 5) Purgez le système à 500 microns.
- 6) Fermez les vannes du collecteur à jauge, arrêtez la pompe et effectuez un test d'augmentation de 30 minutes.
- 7) Le système doit conserver la dépression à 500 microns pendant 1 heure au minimum.
- 8) Ouvrez complètement les robinets d'arrêt des deux côtés des tuyaux de liquide et de gaz. La mise en service sans ouvrir complètement les robinets d'arrêt diminue le rendement de l'appareil et peut être source de panne.
- 9) Reportez-vous au point 1-3 et chargez la quantité de réfrigérant supplémentaire recommandée si nécessaire. Veillez à charger lentement le liquide réfrigérant. Sinon, la composition de réfrigérant dans le système peut changer et affecter les performances du climatiseur.
- 10) Déposez les collecteurs à jauge, remplacez et serrez les bouchons des ouvertures de service.
- 11) Test de contrôle des fuites



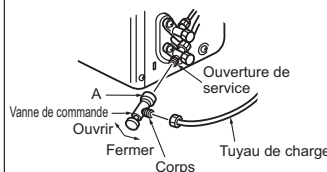
4. PROCEDURES DE PURGE, TEST DE CONTROLE DES FUITES ET ESSAI DE FONCTIONNEMENT

4-1. PROCEDURES DE PURGE ET TEST DE CONTROLE DES FUITES

- 1) Retirez les bouchons des ouvertures de service des robinets d'arrêt des deux côtés des tuyaux de réfrigérant. (Les robinets d'arrêt sont entièrement fermés à la livraison.) Laissez-les fermés.
- 2) Raccordez le collecteur à jauge aux ouvertures des robinets d'arrêt.
- 3) Purgez le système à 4000 microns via les deux vannes de service. Les jauges du collecteur système ne peuvent pas être utilisées pour mesurer la dépression. Une jauge micrométrique doit toujours être utilisée. Cassez la dépression en introduisant de l'azote (N₂) dans la soupape de refolement de service à 0 PSIG.
- 4) Purgez le système à 1500 microns. Cassez la dépression en introduisant de l'azote (N₂) dans la soupape de refolement de service à 0 PSIG.
- 5) Purgez le système à 500 microns.
- 6) Fermez les vannes du collecteur à jauge, arrêtez la pompe et effectuez un test d'augmentation de 30 minutes.
- 7) Le système doit conserver la dépression à 500 microns pendant 1 heure au minimum.
- 8) Ouvrez complètement les robinets d'arrêt des deux côtés des tuyaux de liquide et de gaz. La mise en service sans ouvrir complètement les robinets d'arrêt diminue le rendement de l'appareil et peut être source de panne.
- 9) Reportez-vous au point 1-3 et chargez la quantité de réfrigérant supplémentaire recommandée si nécessaire. Veillez à charger lentement le liquide réfrigérant. Sinon, la composition de réfrigérant dans le système peut changer et affecter les performances du climatiseur.
- 10) Déposez les collecteurs à jauge, remplacez et serrez les bouchons des ouvertures de service.
- 11) Test de contrôle des fuites



Précautions à prendre lors de l'utilisation de la vanne de commande

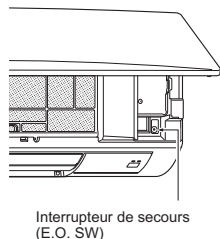


Lorsque vous fixez la vanne de commande à l'ouverture de service, le noyau de vanne peut se déformer ou se relâcher en cas de pression excessive. Cela peut entraîner une fuite de gaz.

Lorsque vous fixez la vanne de commande à l'ouverture de service, veillez à ce que le noyau de vanne soit en position fermée, puis serrez la partie A. Ne serrez pas la partie A ou ne tournez pas le corps lorsque le noyau de vanne est en position ouverte.

4-2. ESSAI DE FONCTIONNEMENT

- 1) Insérez la fiche d'alimentation dans la prise secteur et/ou enclenchez le disjoncteur.
- 2) Appuyez une fois sur l'interrupteur de secours (E.O. SW). L'essai de fonctionnement va s'effectuer pendant 30 minutes. Si le témoin de fonctionnement gauche clignote toutes les 0,5 secondes, vérifiez le câble de connexion de l'unité interne/externe (A). Le mode de REFROIDISSEMENT (COOL) d'urgence (75°F [24°C]) prendra le relais à la fin de l'essai de fonctionnement.
- 3) Pour arrêter le fonctionnement, appuyez plusieurs fois sur l'interrupteur de secours (E.O. SW) jusqu'à ce que les témoins LED s'éteignent. Consultez les instructions d'utilisation pour plus d'informations.



Interrupteur de secours (E.O. SW)

Contrôle de la réception des signaux (infrarouges) de la télécommande
Appuyez sur la touche MARCHE/ARRET de la télécommande et vérifiez l'audibilité du signal de l'unité interne. Appuyez de nouveau sur la touche MARCHE/ARRET de la télécommande pour éteindre le climatiseur.

- A l'arrêt du compresseur, le dispositif de prévention du redémarrage se met en marche pour éviter le redémarrage du compresseur pendant 3 minutes et protéger le climatiseur.

4-3. FONCTION DE REDEMARRAGE AUTOMATIQUE

Ce produit est équipé d'une fonction de redémarrage automatique. Lorsque l'alimentation se coupe pendant le fonctionnement (pannes d'électricité), la fonction remet automatiquement l'unité en marche sur le réglage précédent dès que l'alimentation est rétablie. (Consultez les instructions d'utilisation pour plus d'informations.)

Attention :

- Après l'essai de fonctionnement ou le contrôle de la réception de signaux de la télécommande, éteignez l'unité à l'aide de l'interrupteur de secours (E.O. SW) ou la télécommande avant de couper l'alimentation. Si cette procédure n'est pas effectuée, l'unité se remet automatiquement en marche lorsque l'alimentation est rétablie.

A l'attention de l'utilisateur

- Après l'installation de l'unité, expliquez à l'utilisateur la fonction de redémarrage automatique.
- Si la fonction de redémarrage automatique n'est pas nécessaire, elle peut être désactivée. Adressez-vous au responsable de l'entretien pour désactiver cette fonction. Consultez le manuel d'entretien pour plus d'informations.

4-4. EXPLICATIONS DESTINEES A L'UTILISATEUR

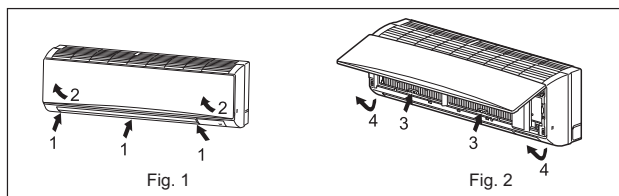
- A l'aide des INSTRUCTIONS DE FONCTIONNEMENT, expliquez à l'utilisateur l'emploi du climatiseur (utilisation de la télécommande, remplacement des filtres à air, retrait ou placement de la télécommande sur son support, nettoyage, précautions, etc.)
- Recommandez à l'utilisateur de lire attentivement les INSTRUCTIONS DE FONCTIONNEMENT.

5. DEPLACEMENT DE L'UNITE ET ENTRETIEN

5-1. DEPOSE ET INSTALLATION DU PANNEAU

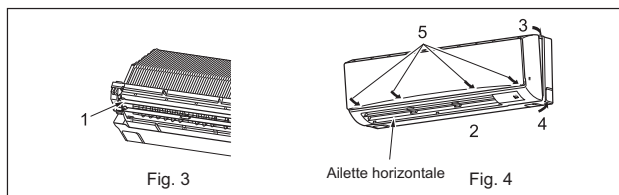
Dépose (Fig. 1, 2)

- 1) Retirez les trois vis de fixation du panneau.
- 2) Ouvrez le panneau frontal.
- 3) Retirez les deux vis de fixation du panneau.
- 4) Déposez le panneau. Retirez d'abord l'extrémité inférieure.



Pose (Fig. 3,4)

- 1) Dirigez l'ailette horizontale légèrement vers le bas.
- 2) Fixez le bas du panneau sous l'ailette horizontale.
- 3) Posez la partie supérieure du panneau.
- 4) Posez la partie inférieure du panneau et serrez-la avec les vis.
- 5) Appuyez sur la partie du panneau frontal indiquée par les flèches pour fermer correctement le panneau frontal.



5-2. DEPOSE DE L'UNITE INTERNE

Retirez la partie inférieure de l'unité interne du gabarit d'installation. (Fig. 1, 2)

- Déposez le panneau. (Se reporter à la section 5-1)
- Insérez des tournevis plats dans les orifices carrés situés en bas à droite et à gauche de l'unité interne et appuyez dessus; la partie inférieure de l'unité interne s'abaisse et les crochets se dégagent.
 - *1 Retirez la vis.
 - *2 Retirez la languette du cache d'angle de l'unité interne et tirez le cache d'angle.
 - *3 Tirez sur l'unité interne pour la déposer.

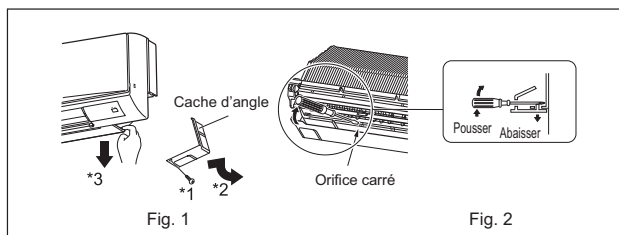
5-3. PURGE

Lors du déplacement ou de la mise au rebut du climatiseur, il est nécessaire de purger le système en suivant la procédure ci-dessous de façon à ne pas libérer de réfrigérant dans l'atmosphère.

- 1) Raccordez la vanne du collecteur à jauge à l'ouverture de service du robinet d'arrêt du côté du tuyau de gaz de l'unité externe.
- 2) Fermez complètement le robinet d'arrêt du côté du tuyau de liquide de l'unité externe.
- 3) Fermez presque complètement le robinet d'arrêt du côté du tuyau de gaz de l'unité externe pour faciliter sa fermeture totale lorsque le manomètre indique 0 psi [Jauge] (0 Mpa).
- 4) Lancez le mode de REFROIDISSEMENT (COOL) d'urgence.
Pour lancer le mode de REFROIDISSEMENT (COOL) d'urgence, débranchez la fiche d'alimentation électrique et/ou coupez le disjoncteur. Au bout de 15 secondes, rebranchez la fiche d'alimentation électrique et/ou enclenchez le disjoncteur, puis appuyez une fois sur l'interrupteur de secours (E.O. SW). (Le mode de REFROIDISSEMENT (COOL) d'urgence peut être exécuté en continu pendant 30 minutes maximum.)
- 5) Fermez complètement le robinet d'arrêt du côté du tuyau de gaz de l'unité externe lorsque le manomètre indique (0,1 à 0 psi [Jauge] 0,05 à 0 Mpa).
- 6) Arrêtez le mode de REFROIDISSEMENT (COOL) d'urgence.
Pour arrêter le fonctionnement, appuyez plusieurs fois sur l'interrupteur de secours (E.O. SW) jusqu'à ce que les témoins LED s'éteignent. Consultez les instructions d'utilisation pour plus d'informations.

⚠ AVERTISSEMENT

Pendant l'opération d'aspiration du réfrigérant, arrêtez le compresseur avant de débrancher les tuyaux de réfrigérant. Le compresseur peut éclater si de l'air, etc. pénètre à l'intérieur.



MITSUBISHI ELECTRIC CORPORATION

HEAD OFFICE: TOKYO BLDG., 2-7-3, MARUNOUCHI, CHIYODA-KU, TOKYO 100-8310, JAPAN