

SPLIT-SYSTEM HEAT PUMP PLA-A-EA7

INSTALLATION MANUAL

For safe and correct use, read this manual and the outdoor unit installation manual thoroughly before installing the air-conditioner unit.

FOR INSTALLER

MANUEL D'INSTALLATION

Avant d'installer le climatiseur, lire attentivement ce manuel, ainsi que le manuel d'installation de l'appareil extérieur pour une utilisation sûre et correcte.

POUR L'INSTALLATEUR

MANUAL DE INSTALACIÓN

Para un uso seguro y correcto, lea detalladamente este manual de instalación antes de montar la unidad de aire acondicionado.

PARA EL INSTALADOR

English

Français

Español

Contents

1. Safety precautions.....	2	6. Electrical work	7
2. Installation location.....	3	7. Test run.....	12
3. Installing the indoor unit	3	8. System control	15
4. Installing the refrigerant piping	5	9. Installing the grille.....	16
5. Drainage piping work.....	6	10. Easy maintenance function.....	18

Note:
The phrase "Wired remote controller" in this installation manual refers only to the PAR-32MAA.
If you need any information for the other remote controller, please refer to either the installation manual or initial setting manual which are included in those boxes.

1. Safety precautions

- ▶ Before installing the unit, make sure you read all the "Safety precautions".
- ▶ Please report to your supply authority or obtain their consent before connecting this equipment to the power supply system.

⚠ Warning:
Describes precautions that must be observed to prevent danger of injury or death to the user.

⚠ Caution:
Describes precautions that must be observed to prevent damage to the unit.

⚠ Warning:

- Ask a dealer or an authorized technician to install the unit.
- The user should never attempt to repair the unit or transfer it to another location.
- For installation work, follow the instructions in the Installation Manual and use tools and pipe components specifically made for use with refrigerant specified in the outdoor unit installation manual.
- The unit must be installed according to the instructions in order to minimize the risk of damage from earthquakes, typhoons, or strong winds. An incorrectly installed unit may fall down and cause damage or injuries.
- The unit must be securely installed on a structure that can sustain its weight.
- If the air conditioner is installed in a small room, measures must be taken to prevent the refrigerant concentration in the room from exceeding the safety limit in the event of refrigerant leakage. Should the refrigerant leak and cause the concentration limit to be exceeded, hazards due to lack of oxygen in the room may result.
- Ventilate the room if refrigerant leaks during operation. If refrigerant comes into contact with a flame, poisonous gases will be released.
- All electric work must be performed by a qualified technician according to local regulations and the instructions given in this manual.
- Use only specified cables for wiring. The wiring connections must be made securely with no tension applied on the terminal connections. Also, never splice the cables for wiring (unless otherwise indicated in this document). Failure to observe these instructions may result in overheating or a fire.

After installation work has been completed, explain the "Safety Precautions," use, and maintenance of the unit to the customer according to the information in the Operation Manual and perform the test run to ensure normal operation. Both the Installation Manual and Operation Manual must be given to the user for keeping. These manuals must be passed on to subsequent users.

⚡: Indicates a part which must be grounded.

⚠ Warning:
Carefully read the labels affixed to the main unit.

- The appliance shall be installed in accordance with national wiring regulations.
- This appliance is not intended for use by persons (including children) with reduced physical, sensory or mental capabilities, or lack of experience and knowledge, unless they have been given supervision or instruction concerning use of the appliance by a person responsible for their safety.
- Children should be supervised to ensure that they do not play with the appliance.
- The terminal block cover panel of the unit must be firmly attached.
- If the supply cord is damaged, it must be replaced by the manufacturer, its service agent or similarly qualified persons in order to avoid a hazard.
- Use only accessories authorized by Mitsubishi Electric and ask a dealer or an authorized technician to install them.
- After installation has been completed, check for refrigerant leaks. If refrigerant leaks into the room and comes into contact with the flame of a heater or portable cooking range, poisonous gases will be released.
- When installing or relocating, or servicing the air conditioner, use only the specified refrigerant (R410A) to charge the refrigerant lines. Do not mix it with any other refrigerant and do not allow air to remain in the lines. If air is mixed with the refrigerant, then it can be the cause of abnormal high pressure in the refrigerant line, and may result in an explosion and other hazards. The use of any refrigerant other than that specified for the system will cause mechanical failure or system malfunction or unit breakdown. In the worst case, this could lead to a serious impediment to securing product safety.

1.1. Before installation (Environment)

⚠ Caution:

- Do not use the unit in an unusual environment. If the air conditioner is installed in areas exposed to steam, volatile oil (including machine oil), or sulfuric gas, areas exposed to high salt content such as the seaside, the performance can be significantly reduced and the internal parts can be damaged.
- Do not install the unit where combustible gases may leak, be produced, flow, or accumulate. If combustible gas accumulates around the unit, fire or explosion may result.
- Do not keep food, plants, caged pets, artwork, or precision instruments in the direct airflow of the indoor unit or too close to the unit, as these items can be damaged by temperature changes or dripping water.

- When the room humidity exceeds 80% or when the drainpipe is clogged, water may drip from the indoor unit. Do not install the indoor unit where such dripping can cause damage.
- When installing the unit in a hospital or communications office, be prepared for noise and electronic interference. Inverters, home appliances, high-frequency medical equipment, and radio communications equipment can cause the air conditioner to malfunction or breakdown. The air conditioner may also affect medical equipment, disturbing medical care, and communications equipment, harming the screen display quality.

1.2. Before installation or relocation

⚠ Caution:

- Be extremely careful when transporting the units. Two or more persons are needed to handle the unit, as it weighs 20 kg, 44 lbs or more. Do not grasp the packaging bands. Wear protective gloves as you can injure your hands on the fins or other parts.
- Be sure to safely dispose of the packaging materials. Packaging materials, such as nails and other metal or wooden parts may cause stabs or other injuries.
- Thermal insulation of the refrigerant pipe is necessary to prevent condensation. If the refrigerant pipe is not properly insulated, condensation will be formed.
- Place thermal insulation on the pipes to prevent condensation. If the drainpipe is installed incorrectly, water leakage and damage to the ceiling, floor, furniture, or other possessions may result.

- Do not clean the air conditioner unit with water. Electric shock may result.
- Tighten all flare nuts to specification using a torque wrench. If tightened too much, the flare nut can break after an extended period.
- If the unit is run for long hours when the air above the ceiling is at high temperature/high humidity (dew point above 26 °C, 79 °F), dew condensation may be produced in the indoor unit or the ceiling materials. When operating the units in this condition, add insulation material (10-20 mm, 25/64-25/32 inch) to the entire surface of the unit and ceiling materials to avoid dew condensation.

1.3. Before electric work

⚠ Caution:

- Be sure to install circuit breakers. If not installed, electric shock may result.
- For the power lines, use standard cables of sufficient capacity. Otherwise, a short circuit, overheating, or fire may result.
- When installing the power lines, do not apply tension to the cables.

- Be sure to ground the unit. If the unit is not properly grounded, electric shock may result.
- Use circuit breakers (ground fault interrupter, isolating switch (+B fuse), and molded case circuit breaker) with the specified capacity. If the circuit breaker capacity is larger than the specified capacity, breakdown or fire may result.

1.4. Before starting the test run

⚠ Caution:

- Turn on the main power switch more than 12 hours before starting operation. Starting operation just after turning on the power switch can severely damage the internal parts.
- Before starting operation, check that all panels, guards and other protective parts are correctly installed. Rotating, hot, or high voltage parts can cause injuries.

- Do not operate the air conditioner without the air filter set in place. If the air filter is not installed, dust may accumulate and breakdown may result.
- Do not touch any switch with wet hands. Electric shock may result.
- Do not touch the refrigerant pipes with bare hands during operation.
- After stopping operation, be sure to wait at least five minutes before turning off the main power switch. Otherwise, water leakage or breakdown may result.

2. Installation location

Refer to the outdoor unit installation manual.

3. Installing the indoor unit

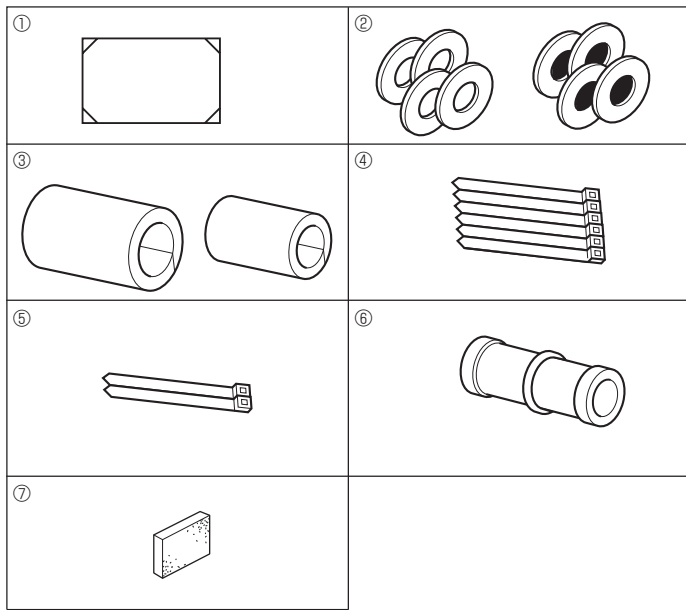


Fig. 3-1

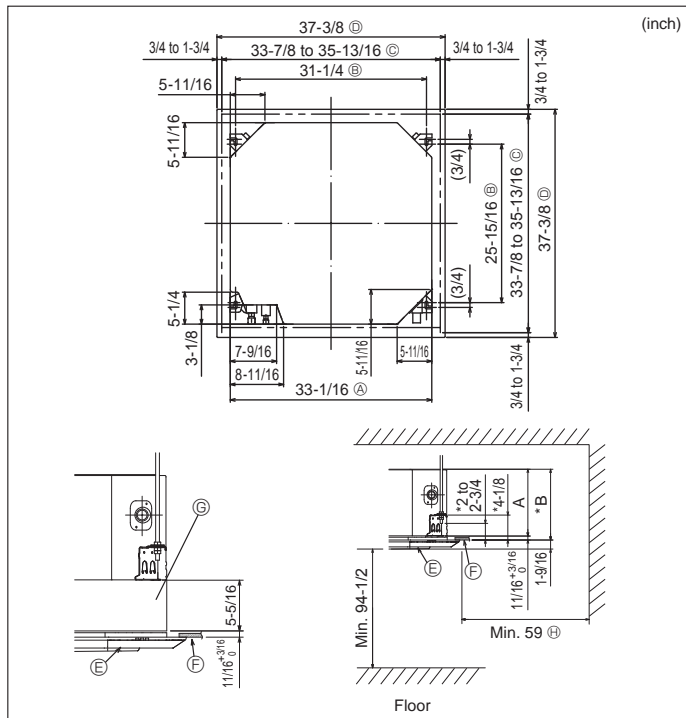


Fig. 3-2

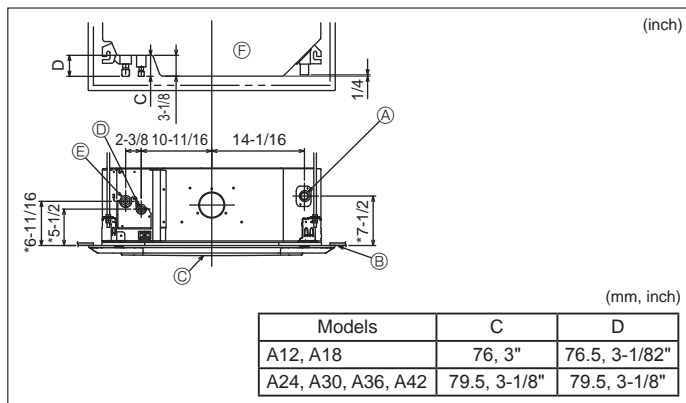


Fig. 3-3

3.1. Check the indoor unit accessories (Fig. 3-1)

The indoor unit should be supplied with the following accessories.

	Accessory name	Qty
①	Installation template (top of the package)	1
②	Washers (with insulation)	4
	Washers (without insulation)	4
③	Pipe cover (for refrigerant piping joint)	
	Small diameter	1
	Large diameter	1
④	Band (large)	6
⑤	Band (small)	2
⑥	Drain socket	1
⑦	Insulation	1

3.2. Ceiling openings and suspension bolt installation locations (Fig. 3-2)

⚠ Caution:

Install the indoor unit at least 2.4 m, 94-1/2 inch above floor or grade level. For appliances not accessible to the general public.

- Using the installation template (top of the package) and the gauge (supplied as an accessory with the grille), make an opening in the ceiling so that the main unit can be installed as shown in the diagram. (The method for using the template and the gauge is shown.)
 - * Before using, check the dimensions of template and gauge, because they change due to fluctuations of temperature and humidity.
 - * The dimensions of ceiling opening can be regulated within the range shown in Fig. 3-2; so center the main unit against the opening of ceiling, ensuring that the respective opposite sides on all sides of the clearance between them becomes identical.
- Use M10 (3/8") suspension bolts.
 - * Suspension bolts are to be procured at the field.
- Install securely, ensuring that there is no clearance between the ceiling panel & grille, and between the main unit & grille.
 - Ⓐ Outer side of main unit
 - Ⓑ Grille
 - Ⓒ Bolt pitch
 - Ⓓ Ceiling
 - Ⓔ Ceiling opening
 - Ⓕ Multi functional casement (option)
 - Ⓖ Outer side of Grille
 - Ⓖ Entire periphery

* Note that the space between ceiling panel of the unit and ceiling slab, etc. must be 7 mm, 5/16 inch or more.

* When the optional multi-functional casement is installed, add 135 mm, 5-5/16 inch to the dimensions marked on the figure.

(mm, inch)

Models	A	B
A12, A18	241, 9-1/2"	258, 10-3/16"
A24, A30, A36, A42	281, 11-1/16"	298, 11-3/4"

3.3. Refrigerant and drainage piping locations of indoor unit (Fig. 3-3)

The figure marked with * in the drawing represent the dimensions of the main unit excluding those of the optional multi function casement.

- Ⓐ Drain pipe
- Ⓑ Ceiling
- Ⓒ Grille
- Ⓓ Refrigerant pipe (liquid)
- Ⓔ Refrigerant pipe (gas)
- Ⓕ Main unit

* When the optional multi-functional casement is installed, add 135 mm, 5-5/16 inch to the dimensions marked on the figure.

3. Installing the indoor unit

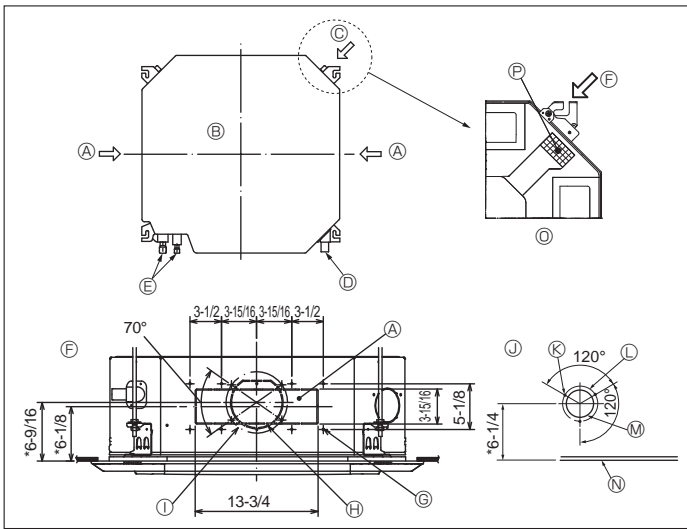


Fig. 3-4

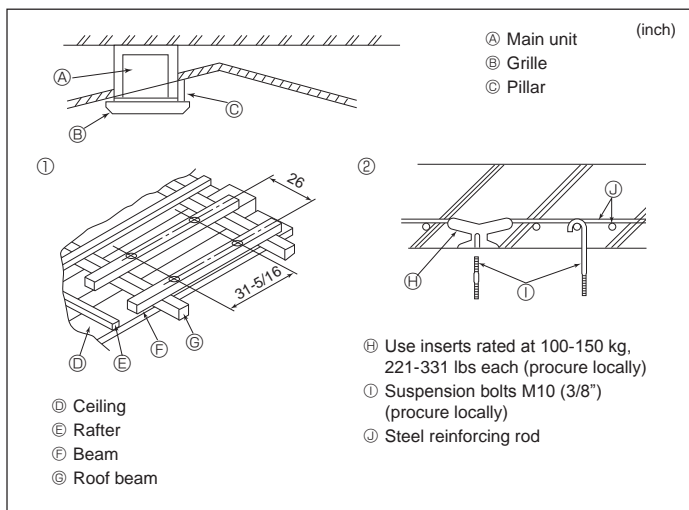


Fig. 3-5

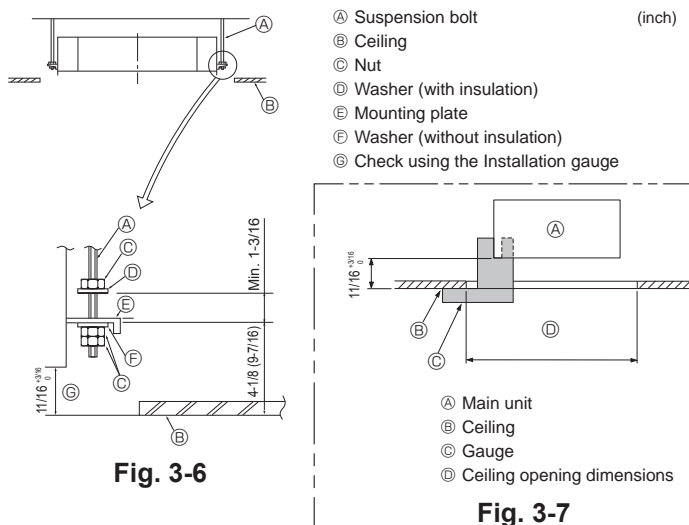


Fig. 3-6

Fig. 3-7

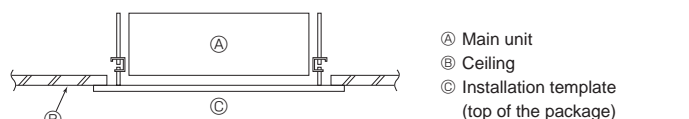


Fig. 3-8

3.4. Branch duct hole and fresh air intake hole (Fig. 3-4)

At the time of installation, use the duct holes (cut out) located at the positions shown in Fig. 3-4, as and when required.

- A fresh air intake hole for the optional multi function casement can also be made.

Note:

- The figure marked with * in the drawing represent the dimensions of the main unit excluding those of the optional multi function casement.
- When installing the optional multi function casement, add 135 mm, 5-5/16 inch to the dimensions marked on the figure.
- When installing the branch ducts, be sure to insulate adequately. Otherwise condensation and dripping may occur.
- When installing the fresh air intake hole, be sure to remove the insulator $\text{\textcircled{P}}$ that is pasted on the indoor unit.
- When external air is input directly through the main unit, intake-air volume should be 5% or less of indoor unit air volume.
- To input the external air, the duct fan and dust collecting filter to prevent drawing in dust and other particles are necessary. For details, see "Fresh air intake volume & static pressure characteristics" in the P series DATA BOOK.
- When external air is input into the main unit, the operation noise can be larger.

- | | |
|---|--|
| A Branch duct hole | $\text{\textcircled{I}}$ $\varnothing 175$ mm, $\varnothing 6-7/8$ inch burring hole pitch |
| B Main unit | $\text{\textcircled{J}}$ Fresh air intake hole diagram |
| C Fresh air intake hole | $\text{\textcircled{K}}$ 3-4x10 tapping screws |
| D Drain pipe | $\text{\textcircled{L}}$ $\varnothing 125$ mm, $\varnothing 4-15/16$ inch burring hole pitch |
| E Refrigerant pipe | $\text{\textcircled{M}}$ $\varnothing 100$ mm, $\varnothing 3-15/16$ inch cut out hole |
| F Branch duct hole diagram | $\text{\textcircled{N}}$ Ceiling |
| (view from either side) | $\text{\textcircled{O}}$ Detailed figure of removing the insulator |
| G 14-4x10 tapping screws | $\text{\textcircled{P}}$ Insulation |
| H $\varnothing 150$ mm, $\varnothing 5-7/8$ inch cut out hole | |

3.5. Suspension structure (Give site of suspension strong structure) (Fig. 3-5)

The ceiling work differs according to the construction of the building. Building constructors and interior decorators should be consulted for details.

- Extent of ceiling removal: The ceiling must be kept completely horizontal and the ceiling foundation (framework: wooden slats and slat holders) must be reinforced in order to protect the ceiling from vibration.
- Cut and remove the ceiling foundation.
- Reinforce the ends of the ceiling foundation where it has been cut and add ceiling foundation for securing the ends of the ceiling board.
- When installing the indoor unit on a slanted ceiling, attach a pillar between the ceiling and the grille and set so that the unit is installed horizontally.

- Wooden structures
 - Use tie beams (single storied houses) or second floor beams (2 story houses) as reinforcing members.
 - Wooden beams for suspending air conditioners must be sturdy and their sides must be at least 6 cm, $\varnothing 2-3/8$ inch long if the beams are separated by not more than 90 cm, $\varnothing 35-7/16$ inch and their sides must be at least 9 cm, $\varnothing 3-9/16$ inch long if the beams are separated by as much as 180 cm, 70-7/8 inch. The size of the suspension bolts should be $\varnothing 10$ (3/8"). (The bolts do not come with the unit.)

② Ferro-concrete structures

Secure the suspension bolts using the method shown, or use steel or wooden hangers, etc. to install the suspension bolts.

3.6. Unit suspension procedures (Fig. 3-6)

Suspend the main unit as shown in the diagram.

Figures given in parentheses represent the dimensions in case of installing optional multi function casement.

- In advance, set the parts onto the suspension bolts in the order of the washers (with insulation), washers (without insulation) and nuts (double).
 - Fit the washer with cushion so that the insulation faces downward.
 - In case of using upper washers to suspend the main unit, the lower washers (with insulation) and nuts (double) are to be set later.
- Lift the unit to the proper height of the suspension bolts to insert the mounting plate between washers and then fasten it securely.
- When the main unit cannot be aligned against the mounting hole on the ceiling, it is adjustable owing to a slot provided on the mounting plate.
 - Make sure that A is performed within 17-22 mm, 11/16 to 3/4 inch. Damage could result by failing to adhere to this range. (Fig. 3-7)

⚠ Caution:

Use the top half of the box as a protective cover to prevent dust or debris from getting inside the unit prior to installation of the decorative cover or when applying ceiling materials.

3.7. Confirming the position of main unit and tightening the suspension bolts (Fig. 3-8)

- Using the gauge attached to the grille, ensure that the bottom of the main unit is properly aligned with the opening of the ceiling. Be sure to confirm this, otherwise condensation may form and drip due to air leakage, etc.
- Confirm that the main unit is horizontally levelled, using a level or a vinyl tube filled with water.
- After checking the position of the main unit, tighten the nuts of the suspension bolts securely to fasten the main unit.
- The installation template (top of the package) can be used as a protective sheet to prevent dust from entering the main unit when the grilles are left unattached for a while or when the ceiling materials are to be lined after installation of the unit is finished.

* As for the details of fitting, refer to the instructions given on the Installation template. (top of the package)

4. Installing the refrigerant piping

4.1. Precautions

For devices that use R410A refrigerant

- Use alkylbenzene oil (small amount) as the refrigeration oil applied to the flared sections.
- Use C1220 copper phosphorus for copper and copper alloy seamless pipes, to connect the refrigerant pipes. Use refrigerant pipes with the thicknesses specified in the table below. Make sure the insides of the pipes are clean and do not contain any harmful contaminants such as sulfuric compounds, oxidants, debris, or dust.

Warning:

When installing or relocating, or servicing the air conditioner, use only the specified refrigerant (R410A) to charge the refrigerant lines. Do not mix it with any other refrigerant and do not allow air to remain in the lines.

If air is mixed with the refrigerant, then it can be the cause of abnormal high pressure in the refrigerant line, and may result in an explosion and other hazards. The use of any refrigerant other than that specified for the system will cause mechanical failure or system malfunction or unit breakdown. In the worst case, this could lead to a serious impediment to securing product safety.

ø6.35 mm, ø1/4 inch thickness 0.8 mm, 1/32 inch	ø9.52 mm, ø3/8 inch thickness 0.8mm, 1/32 inch
ø12.7 mm, ø1/2 inch thickness 0.8 mm, 1/32 inch	ø15.88 mm, ø5/8 inch thickness 1.0 mm, 3/64 inch

- Do not use pipes thinner than those specified above.

4.2. Connecting pipes (Fig. 4-1)

- When commercially available copper pipes are used, wrap liquid and gas pipes with commercially available insulation materials (heat-resistant to 100 °C, 212 °F or more, thickness of 12 mm, 1/2 inch or more).
- Apply thin layer of refrigerant oil to pipe and joint seating surface before tightening flare nut.
- Use 2 wrenches to tighten piping connections.
- Use refrigerant piping insulation provided to insulate indoor unit connections. Insulate carefully.
- After connecting the refrigerant piping to the indoor unit, be sure to test the pipe connections for gas leakage with nitrogen gas. (Check that there is no refrigerant leakage from the refrigerant piping to the indoor unit.)
- Use flared nut installed to this indoor unit.
- In case of reconnecting the refrigerant pipes after detaching, make the flared part of pipe re-fabricated.

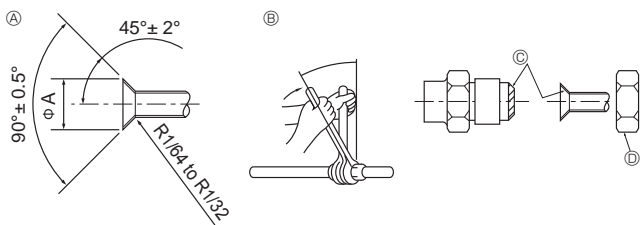


Fig. 4-1

A Flare cutting dimensions

Copper pipe O.D. (mm, inch)	Flare dimensions φA dimensions (mm, inch)
ø6.35, 1/4"	8.7-9.1, 11/32-23/64"
ø9.52, 3/8"	12.8-13.2, 1/2-33/64"
ø12.7, 1/2"	16.2-16.6, 41/64-21/32"
ø15.88, 5/8"	19.3-19.7, 49-64-25/32"

B Flare nut tightening torque

Copper pipe O.D. (mm, inch)	Flare nut O.D. (mm, inch)	Tightening torque (N·m, ft·lbs)
ø6.35, 1/4"	17, 43/64"	14-18, 10-13"
ø6.35, 1/4"	22, 7/8"	34-42, 25-30"
ø9.52, 3/8"	22, 7/8"	34-42, 25-30"
ø12.7, 1/2"	26, 1-3/32"	49-61, 35-44"
ø15.88, 5/8"	29, 1-9/64"	68-82, 49-59"

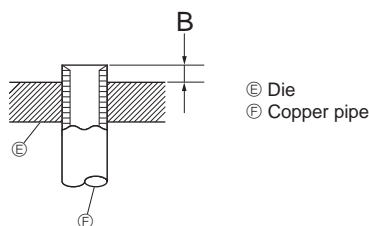


Fig. 4-2

Copper pipe O.D. (mm, inch)	B (mm, inch)
	Flare tool for R410A Clutch type
ø6.35 (1/4")	1-1.5, 3/64-1/16"
ø9.52 (3/8")	1-1.5, 3/64-1/16"
ø12.7 (1/2")	1-1.5, 3/64-1/16"
ø15.88 (5/8")	1-1.5, 3/64-1/16"

C Apply refrigerating machine oil over the entire flare seat surface.

D Use correct flare nuts meeting the pipe size of the outdoor unit.

Available pipe size

	A12, A18	A24, A30, A36, A42
Liquid side	ø6.35 O	-
Gas side	-	ø9.52 O
	ø12.7 O	ø15.88 O

O : Factory flare nut attachment to the heat exchanger.

Warning:

- Be careful of flying flare nut! (Internally pressurized)
Remove the flare nut as follows:
 1. Loosen the nut until you hear a hissing noise.
 2. Do not remove the nut until the gas has been completely released (i.e., hissing noise stops).
 3. Check that the gas has been completely released, and then remove the nut.
- When installing the unit, securely connect the refrigerant pipes before starting the compressor.

4. Installing the refrigerant piping

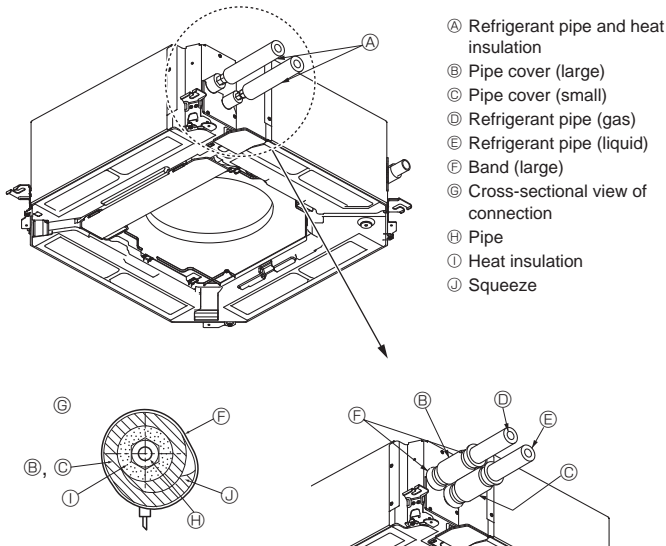


Fig. 4-3

Heat insulation for refrigerant pipes (Fig. 4-3)

- 1 Wrap the enclosed large-sized pipe cover around the gas pipe, making sure that the end of the pipe cover touches the side of the unit.
- 2 Wrap the enclosed small-sized pipe cover around the liquid pipe, making sure that the end of the pipe cover touches the side of the unit.
- 3 Secure both ends of each pipe cover with the enclosed bands. (Attach the bands 20 mm, 25/32 inch from the ends of the pipe cover.)

4.3. For twin combination

Refer to the outdoor unit installation manual.

Some outdoor units cannot be used in a simultaneous twin system.

5. Drainage piping work

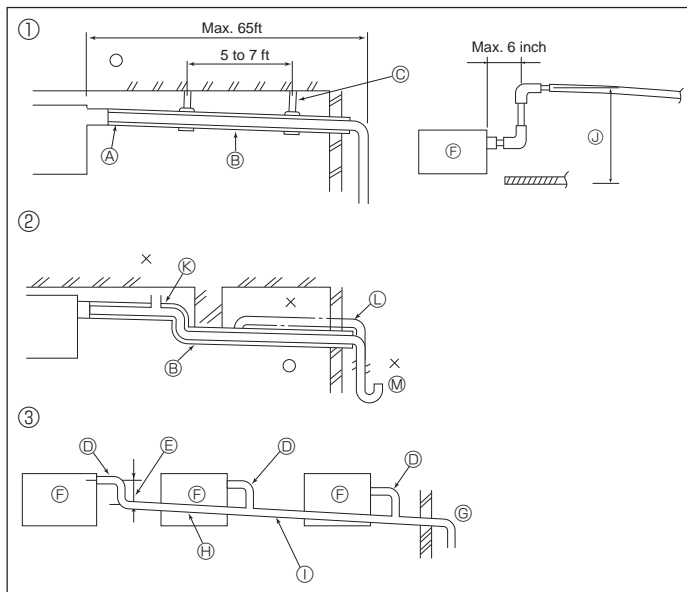


Fig. 5-1

5.1. Drainage piping work (Fig. 5-1)

- The indoor parts of the drain pipe should be wrapped with polyethylene foam insulation materials (specific gravity of 0.03, thickness of 9 mm, 23/64 inch or more).
- Use VP25 (O.D. ø32 mm, 1-1/4 inch PVC TUBE) for drain piping and provide 1/100 or more downward slope.
- Be sure to connect the piping joints using a PVC type adhesive.
- Observe the figure for piping work.
- Use the included drain hose to change the extraction direction.
- When performing the drainage piping work, be sure to use the support metal holders. If a load is applied to the drain socket that damages the hose or causes the hose to become detached, water leakage may result.

- | | |
|--|---|
| ① Correct piping | ⓐ Make the piping size large for grouped piping. |
| ② Wrong piping | ⓑ Downward slope (1/100 or more) |
| ③ Grouped piping | ⓒ O.D. ø38 mm, 1-1/2 inch PVC TUBE for grouped piping (9 mm, 23/64 inch or more insulation) |
| Ⓐ Insulation (9 mm, 23/64 inch or more) | ⓓ Up to 85 cm, 33-7/16 inch |
| Ⓑ Downward slope (1/100 or more) | ⓔ Air bleeder |
| Ⓒ Support metal | ⓕ Raised |
| Ⓓ O.D. ø32 mm, 1-1/4 inch PVC TUBE | ⓖ Odor trap |
| ⓔ Make it as large as possible (about 10 cm, 3-15/16 inch) | |
| ⓕ Main unit | |

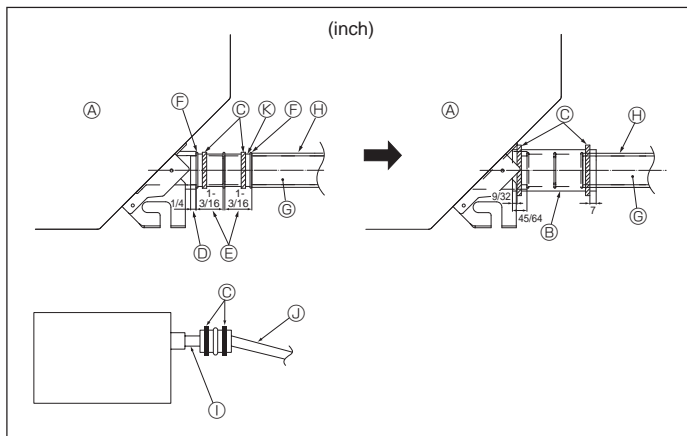


Fig. 5-2

1. Connect the drain socket (supplied with the unit) to the drain port. (Fig. 5-2) (Fix the tube using PVC adhesive then secure it with a band.)
2. Install a locally purchased drain pipe (PVC pipe, O.D. ø32 mm, 1-1/4 inch). (Fix the pipe using PVC adhesive then secure it with a band.)
3. Check that drain flows smoothly.
4. Insulate the drain port and socket with insulating material, then secure the material with a band. (Both insulating material and band are supplied with the unit.)
5. Insulate the tube and pipe. (PVC pipe, O.D. ø32 mm, 1-1/4 inch)

- | | |
|---|--|
| Ⓐ Main unit | ⓓ Insulating material (purchased locally) |
| Ⓑ Insulating material | ⓕ Transparent PVC pipe |
| Ⓒ Band (large) | ⓖ O.D. ø32 mm, 1-1/4 inch PVC TUBE (Slope 1/100 or more) |
| Ⓓ Drain port (transparent) | ⓗ Drain socket |
| ⓔ Insertion margin | |
| ⓕ Matching | |
| ⓖ Drain pipe (O.D. ø32 mm, 1-1/4 inch PVC TUBE) | |

6. Electrical work

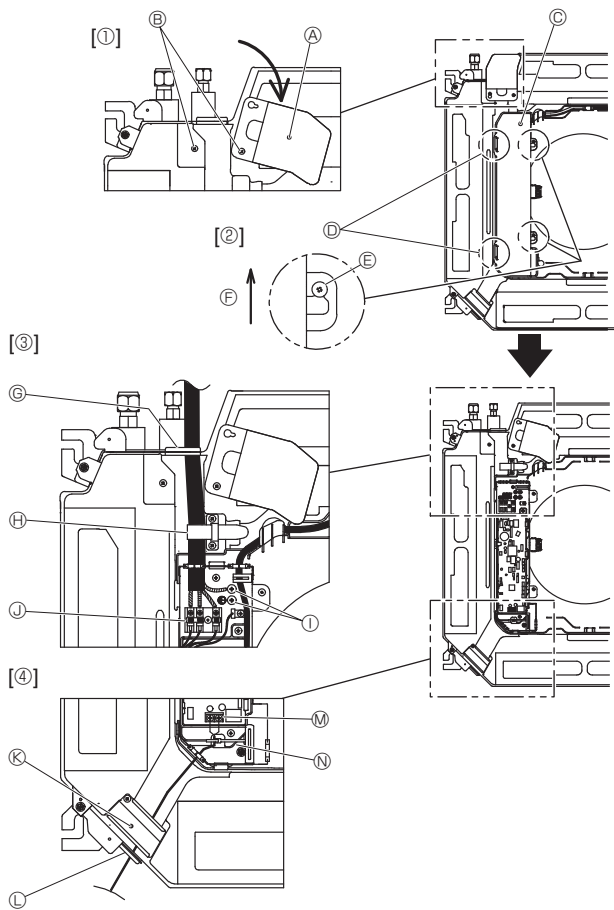


Fig. 6-1

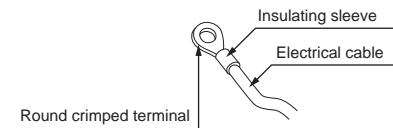


Fig. 6-2

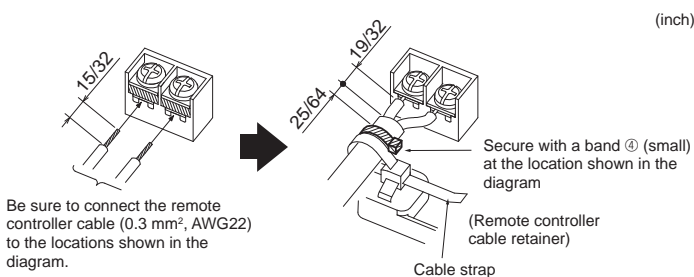


Fig. 6-3

6.1. Indoor unit (Fig. 6-1)

- Loosen the two screws securing the electrical wiring service panel, and then turn the electrical wiring service panel. [Fig. 6-1 ①]
 - Loosen the two screws securing the electrical box cover, then slide the electrical box cover. [Fig. 6-1 ②]
 - Pass the power cable, indoor/outdoor unit connecting cable and earth cable through the wiring entries given in the diagram. [Fig. 6-1 ③]
Put the sheath portion of the power cable and indoor/outdoor connecting cable into electrical box.
Use round crimped terminals for the indoor-outdoor connection terminal board and the optional power supply terminal kit. [Fig. 6-2]
If you cannot use round crimped terminals, following the procedure in Fig. 6-4 to 6-6.
Refer to 6.1.1. for the connection.
 - Pass and wire the remote controller cable through the wiring entries given in the diagram. [Fig. 6-1 ④, Fig. 6-3]
Refer to 6.1.1. for the connection.
- Do not allow slackening of the terminal screws.

Screw tightening torque

	Tightening torque (N-m, ft-lbs)
Remote controller terminal board	1.2 ± 0.1, 0.9 ± 0.1
Indoor-outdoor connection terminal board	1.6 ± 0.1, 1.2 ± 0.1
Earth cable	1.6 ± 0.1, 1.2 ± 0.1

- Leave excess cable so that the electrical box can be suspended below the unit during servicing (approx. 50 mm, 1-31/32 to 3-15/16 inch).
 - Electrical wiring service panel
 - Screw
 - Electrical box cover
 - Temporary hook for electrical box cover
 - Screw
 - Slide direction of the electrical box cover
 - Entry for power cable and indoor/outdoor unit connecting cable
 - Secure with the cable strap.
 - Earth cable
 - Indoor/outdoor unit connecting terminal
 - Electrical wiring service panel (remote controller)
 - Entry for wired remote controller
 - Wired remote controller terminal
 - Secure with the cable strap.

⚠ Caution:

- Wiring for remote controller cable shall be apart (50 mm, 2 inch or more) from power source wiring so that it is not influenced by electric noise from power source wiring.

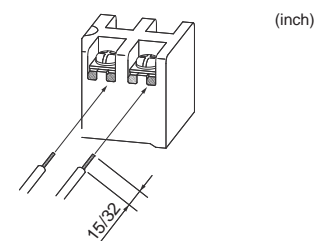


Fig. 6-4

- The U-shaped groove opens if you push the screw head after the screw is loosened.

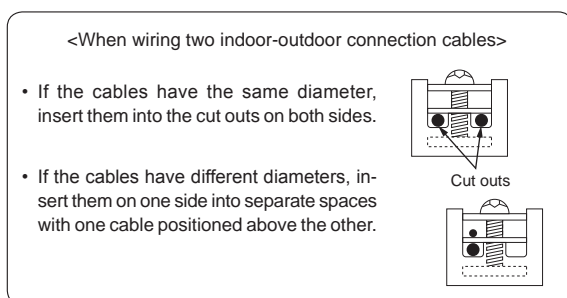


Fig. 6-5

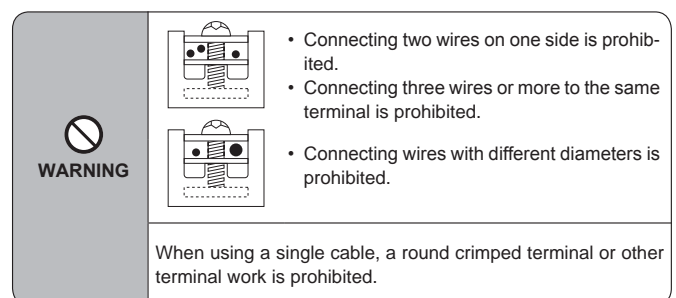


Fig. 6-6

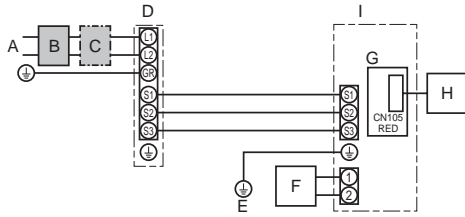
6. Electrical work

6.1.1. Indoor unit power supplied from outdoor unit

The following connection patterns are available.

The outdoor unit power supply patterns vary on models.

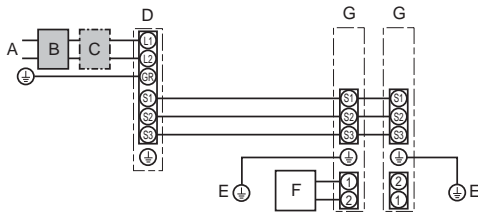
1:1 System



- A Outdoor unit power supply
- B Earth leakage breaker
- C Wiring circuit breaker or isolating switch
- D Outdoor unit
- E Indoor earth
- F Wired remote controller
- G Indoor controller board
- H Radio frequency interface for RF thermostat
- I Indoor unit

* Affix label A that is included with the manuals near each wiring diagram for the indoor and outdoor units.

Simultaneous twin system



- Only for wired remote controller**
- A Outdoor unit power supply
 - B Earth leakage breaker
 - C Wiring circuit breaker or isolating switch
 - D Outdoor unit
 - E Indoor earth
 - F Wired remote controller
 - G Indoor unit

* Affix label A that is included with the manuals near each wiring diagram for the indoor and outdoor units.

Note:

Some units cannot be used in a simultaneous twin system. Refer to the outdoor unit installation manual for details.

Indoor unit model	PLA-A12EA7	PLA-A18EA7	PLA-A24EA7	PLA-A30EA7	PLA-A36EA7	PLA-A42EA7
Minimum circuit ampacity	1 A	1 A	1 A	1 A	2 A	2 A
Maximum rating of overcurrent protective device	15 A					
Wiring Wire No. x size	Indoor unit-Outdoor unit *1	3 x AWG14 (polar)				
	Indoor unit earth	1 x Min. AWG14				
	Remote controller-Indoor unit *2	2 x AWG22 (Non-polar, unshielded)				
Circuit rating	Indoor unit-Outdoor unit S1-S2 *3	208/230 VAC				
	Indoor unit-Outdoor unit S2-S3 *3	24 VDC				
	Wired remote controller-Indoor unit *3	12 VDC				

*1. <For 35-140 outdoor unit application>

Max. 45 m, 148 ft

If AWG13 (2.5 mm²) used, Max. 50 m, 165 ft

If AWG13 (2.5 mm²) used and S3 separated, Max. 80 m, 263 ft

<For 200/250 outdoor unit application>

Max. 18 m, 59 ft

If AWG13 (2.5 mm²) used, Max. 30 m, 99 ft

If AWG11 (4 mm²) used and S3 separated, Max. 50 m, 165 ft

If AWG9 (6 mm²) used and S3 separated, Max. 80 m, 263 ft

*2. Max. 500 m, 1640 ft

(When using 2 remote controllers, the maximum wiring length for the remote controller cables is 200 m, 656 ft.)

*3. The figures are NOT always against the ground.

S3 terminal has 24 VDC against S2 terminal. However between S3 and S1, these terminals are not electrically insulated by the transformer or other device.

Notes: 1. Wiring size must comply with the applicable local and national code.

2. Power supply cords and indoor unit/outdoor unit connecting cords shall not be lighter than polychloroprene sheathed flexible cord. (Design 60245 IEC 57)

3. Use copper supply wires.

4. Use wires rated 300V or more for the power supply cables and the indoor unit/outdoor unit connecting cables.

5. Install an earth longer than other cables.

6. Indoor and outdoor connecting wires have polarities. Make sure to match the terminal number (S1, S2, S3) for correct wirings.

7. Wiring for remote controller cable shall be apart (5 cm, 2 inch or more) from power source wiring so that it is not influenced by electric noise from power source wiring.

⚠ Warning:

Never splice the power cable or the indoor-outdoor connection cable, otherwise it may result in a smoke, a fire or communication failure.

6. Electrical work

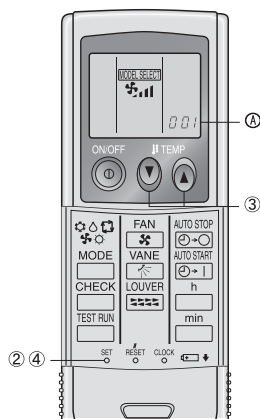


Fig. 6-7

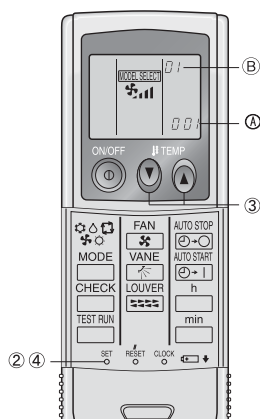


Fig. 6-8

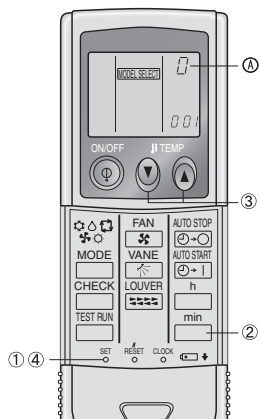


Fig. 6-9

6.2. Remote controller

When using a wired remote controller together with a wireless remote controller, use the following IR wireless remote controller.

6.2.1. For wired remote controller

1) Two wired remote controllers setting

If two wired remote controllers are connected, set one to "Main" and the other to "Sub". For setting procedures, refer to "Function selection of remote controller" in the operation manual for the indoor unit.

Note:

When connecting two wired remote controllers, be sure to use the same model of remote controller.

6.2.2. For IR wireless remote controller

1) Setting (Fig. 6-7)

- ① Insert batteries.
- ② Press the SET button with something sharp at the end. **MODEL SELECT** blinks and Model No. is lit.
- ③ Press the temp. \uparrow \downarrow buttons to set the Model No. If you mistook the operation, press the ON/OFF Ⓞ button and operate again from procedure ②.
- ④ Press the SET button with something sharp at the end. **MODEL SELECT** and Model No. are lit for three seconds, then turned off.

Indoor	Outdoor	Ⓐ Model No.
PLA	heat pump models	001
	cooling only models	033

2) Automatic fan speed setting (For IR wireless remote controller) (Fig. 6-8)

It is necessary to set for IR wireless remote controller only when automatic fan speed is not set at default setting.

It is not necessary to set for wired remote controller with automatic fan speed at default setting.

- ① Press the SET button with something sharp at the end. Operate when display of remote controller is off. **MODEL SELECT** blinks and Model No. is lit Ⓐ.
- ② Press the AUTO STOP Ⓞ button. **MODEL SELECT** blinks and setting No. is lit Ⓑ. (Setting No.01: without automatic fan speed)
- ③ Press the temp. \uparrow \downarrow buttons to set the setting No.02. (Setting No.02: with automatic fan speed) If you mistook the operation, press the ON/OFF Ⓞ button and operate again from procedure ②.
- ④ Press the SET button with something sharp at the end. **MODEL SELECT** and Model No. are lit for 3 seconds, then turned off.

3) Assigning a IR wireless remote controller to each unit (Fig. 6-9)

Each unit can be operated only by the assigned remote controller. Make sure each pair of an indoor unit PC board and a IR wireless remote controller is assigned to the same pair No.

4) IR wireless remote controller pair number setting operation (Fig. 6-9)

- ① Press the SET button with something sharp at the end. Start this operation from the status of IR wireless remote controller display turned off. **MODEL SELECT** blinks and Model No. is lit.
- ② Press the min button twice continuously. Pair No. "0" blinks.
- ③ Press the temp. \uparrow \downarrow buttons to set the pair number you want to set. If you mistook the operation, press the ON/OFF Ⓞ button and operate again from procedure 2.
- ④ Press the SET button with something sharp at the end. Set pair number is lit for three seconds then turned off.

Ⓐ Pair No. of IR wireless remote controller	Indoor PC board
0	Factory setting
1	Cut J41
2	Cut J42
3-9	Cut J41, J42

6. Electrical work

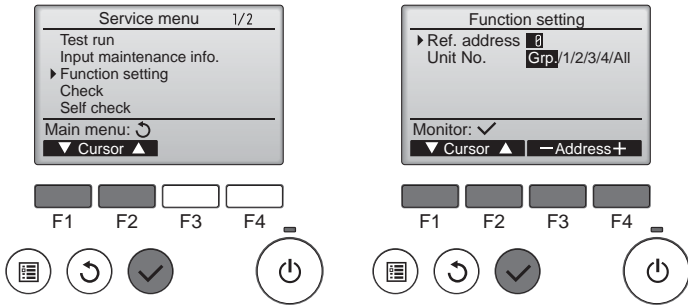


Fig. 6-10

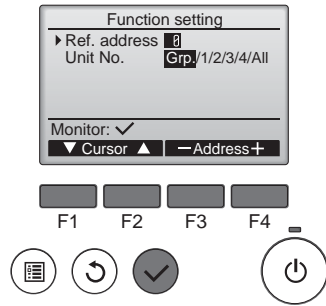


Fig. 6-11

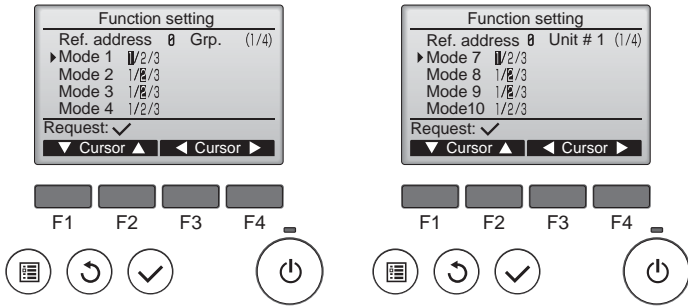


Fig. 6-12

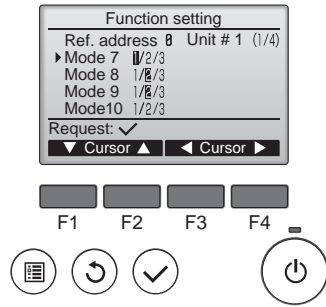


Fig. 6-13

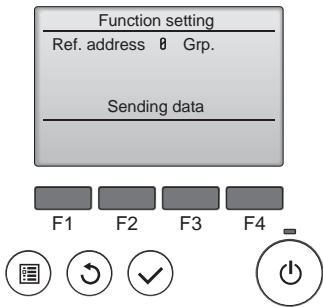


Fig. 6-14

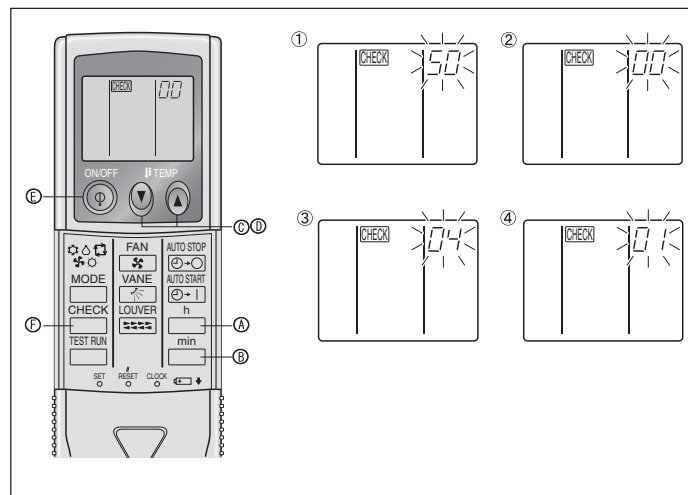


Fig. 6-15

6.3. Function settings

6.3.1. By wired remote controller

- ① (Fig. 6-10)
 - Select "Service" from the Main menu, and press the [SELECT] button.
 - Select "Function settings" with the [F1] or [F2] button, and press the [SELECT] button.
- ② (Fig. 6-11)
 - Set the indoor unit refrigerant addresses and unit numbers with the [F1] through [F4] buttons, and then press the [SELECT] button to confirm the current setting.

<Checking the Indoor unit No.>

When the [SELECT] button is pressed, the target indoor unit will start fan operation. If the unit is common or when running all units, all indoor units for the selected refrigerant address will start fan operation.

- ③ (Fig. 6-12)
 - When data collection from the indoor units is completed, the current settings appear highlighted. Non-highlighted items indicate that no function settings are made. Screen appearance varies depending on the "Unit No." setting.
- ④ (Fig. 6-13)
 - Use the [F1] or [F2] button to move the cursor to select the mode number, and change the setting number with the [F3] or [F4] button.
- ⑤ (Fig. 6-14)
 - When the settings are completed, press the [SELECT] button to send the setting data from the remote controller to the indoor units.
 - When the transmission is successfully completed, the screen will return to the Function setting screen.

6.3.2. By IR wireless remote controller (Fig. 6-15)

Changing the power voltage setting

- Be sure to change the power voltage setting depending on the voltage used.
- ① Going to the function select mode
Press the button ① twice continuously. (Start this operation from the status of IR wireless remote controller display turned off.) [CHECK] is lit and "00" blinks.

Press the temp button ② once to set "50". Direct the IR wireless remote controller toward the receiver of the indoor unit and press the button ④.

② Setting the unit number

Press the temp buttons ③ and ④ to set the unit number "00". Direct the IR wireless remote controller toward the receiver of the indoor unit and press the button ⑤.

③ Selecting a mode

Enter 04 to change the power voltage setting using the temp buttons ③ and ④. Direct the IR wireless remote controller toward the receiver of the indoor unit and press the button ④.

Current setting number: 1 = 1 beep (one second)
 2 = 2 beeps (one second each)
 3 = 3 beeps (one second each)

④ Selecting the setting number

Use the temp buttons ③ and ④ to change the power voltage setting to 01 (240 V). Direct the IR wireless remote controller toward the sensor of the indoor unit and press the button ④.

⑤ To select multiple functions continuously

Repeat steps ③ and ④ to change multiple function settings continuously.

⑥ Complete function selection

Direct the IR wireless remote controller toward the sensor of the indoor unit and press the button ⑤.

Note:

Whenever changes are made to the function settings after installation or maintenance, be sure to record the changes with a mark in the "Setting" column of the Function table.

6.3.3. Function setting on the remote controller

Refer to the appropriate operation manual included with each remote controller.

6. Electrical work

Function table (table 1)

Select unit number 00

Mode	Settings	Mode no.	Setting no.	Initial setting	setting
Power failure automatic recovery	Not available	01	1		
	Available *1		2	O *2	
Indoor temperature detecting	Indoor unit operating average	02	1	O	
	Set by indoor unit's remote controller		2		
	Remote controller's internal sensor		3		
LOSSNAY connectivity	Not Supported	03	1	O	
	Supported (indoor unit is not equipped with outdoor-air intake)		2		
	Supported (indoor unit is equipped with outdoor-air intake)		3		
Power voltage	230 V	04	1	O	
	208 V		2		

Select unit numbers 01 to 03 or all units (AL [wired remote controller]/07 [wireless remote controller])

Mode	Settings	Mode no.	Setting no.	Initial setting	setting
Filter sign	100Hr	07	1		
	2500Hr		2	O	
	No filter sign indicator		3		
Fan speed	Silent (low ceiling)	08	1		
	Standard		2	O	
	High ceiling		3		
No. of air outlets	4 directions	09	1	O	
	3 directions		2		
	2 directions		3		
Installed options (high-efficiency filter)	Not supported	10	1	O	
	Supported		2		
Up/down vane setting	Downward setting (vaner angle setup ③)	11	1		
	Middle setting (vaner angle setup ①)		2	O	
	Draft-less setting (vaner angle setup ②) *4		3		
3D i-see Sensor positioning	Position ①	12 *3	1		
	Position ②		2		
	Position ③ (Default)		3	O	
3D i-see Sensor ceiling height setting (when installing the 3D i-see Sensor panel)	Low ceiling (ceiling height: less than 2.7 m, 8.9 ft)	26	1		
	Standard (ceiling height: 2.7-3.5 m, 8.9-11.5 ft)		2	O	
	High ceiling (ceiling height: 3.5-4.5 m, 11.5-14.8 ft)		3		
Fan speed during the cooling thermostat is OFF	Setting fan speed	27	1	O	
	Stop		2		
	Extra low		3		

*1 When the power supply returns, the air conditioner will start 3 minutes or 1 minute later (hinge on Outdoor unit).

*2 Power failure automatic recovery initial setting depends on the connecting outdoor unit.

*3 When the 3D i-see Sensor corner panel position is changed, change this mode. Refer to page 17.

*4 Because condensation may form, do not use this setting in a high-temperature, high-humidity environment.

7. Test run

7.1. Before test run

- ▶ After completing installation and the wiring and piping of the indoor and outdoor units, check for refrigerant leakage, looseness in the power supply or control wiring, wrong polarity, and no disconnection of one phase in the supply.
- ▶ Use a 500-volt megohmmeter to check that the resistance between the power supply terminals and ground is at least 1.0 MΩ.

- ▶ Do not carry out this test on the control wiring (low voltage circuit) terminals.
- ⚠ **Warning:**
Do not use the air conditioner if the insulation resistance is less than 1.0 MΩ.

7.2. Test run

7.2.1. Using wired remote controller.

- Make sure to read operation manual before test run. (Especially items to secure safety)

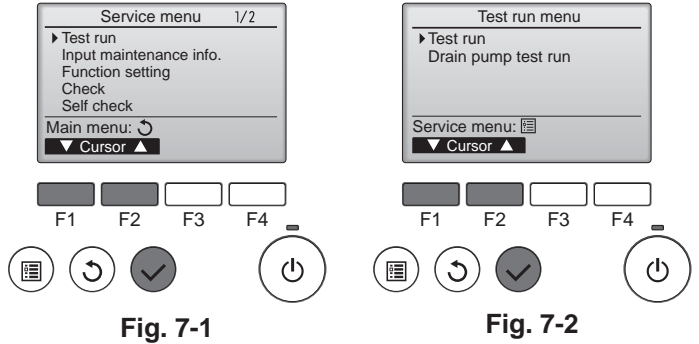
Step 1 Turn on the power.

- Remote controller: The system will go into startup mode, and the remote controller power lamp (green) and "PLEASE WAIT" will blink. While the lamp and message are blinking, the remote controller cannot be operated. Wait until "PLEASE WAIT" is not displayed before operating the remote controller. After the power is turned on, "PLEASE WAIT" will be displayed for approximately 2 minutes.
 - Indoor controller board: LED 1 will be lit up, LED 2 will be lit up (if the address is 0) or off (if the address is not 0), and LED 3 will blink.
 - Outdoor controller board: LED 1 (green) and LED 2 (red) will be lit up. (After the startup mode of the system finishes, LED 2 will be turned off.) If the outdoor controller board uses a digital display, [-] and [-] will be displayed alternately every second.
- If the operations do not function correctly after the procedures in step 2 and thereafter are performed, the following causes should be considered and eliminated if they are found.
(The symptoms below occur during the test run mode. "Startup" in the table means the LED display written above.)

Symptoms in test run mode		Cause
Remote Controller Display	OUTDOOR BOARD LED Display <> indicates digital display.	
Remote controller displays "PLEASE WAIT", and cannot be operated.	After "startup" is displayed, only green lights up. <00>	• After power is turned on, "PLEASE WAIT" is displayed for 2 minutes during system startup. (Normal)
After power is turned on, "PLEASE WAIT" is displayed for 3 minutes, then error code is displayed.	After "startup" is displayed, green(once) and red(once) blink alternately. <F1>	• Incorrect connection of outdoor terminal block (R, S, T and S ₁ , S ₂ , S ₃ .)
	After "startup" is displayed, green(once) and red(twice) blink alternately. <F3, F5, F9>	• Outdoor unit's protection device connector is open.
No display appears even when remote controller operation switch is turned on. (Operation lamp does not light up.)	After "startup" is displayed, green(twice) and red(once) blink alternately. <EA, Eb>	• Incorrect wiring between the indoor and outdoor unit (Polarity is wrong for S ₁ , S ₂ , S ₃ .)
	After "startup" is displayed, only green lights up. <00>	• Remote controller transmission wire short.
Display appears but soon disappears even when remote controller is operated.	After "startup" is displayed, green(twice) and red(once) blink alternately. <EA, Eb>	• There is no outdoor unit of address 0. (Address is other than 0.)
	After "startup" is displayed, only green lights up. <00>	• Remote controller transmission wire open.
	After "startup" is displayed, only green lights up. <00>	• After canceling function selection, operation is not possible for about 30 seconds. (Normal)

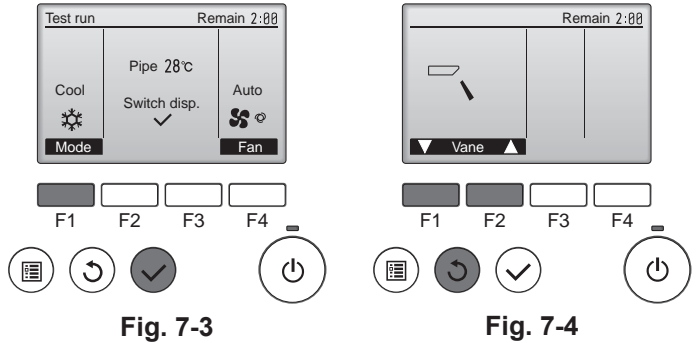
Step 2 Switch the remote controller to "Test run".

- ① Select "Test run" from the Service menu, and press the [SELECT] button. (Fig. 7-1)
- ② Select "Test run" from the Test run menu, and press the [SELECT] button. (Fig. 7-2)
- ③ The test run operation starts, and the Test run operation screen is displayed.



Step 3 Perform the test run and check the airflow temperature and auto vane.

- ① Press the [F1] button to change the operation mode. (Fig. 7-3)
Cooling mode: Check that cool air blows from the unit.
Heating mode: Check that warm air blows from the unit.
- ② Press the [SELECT] button to display the Vane operation screen, and then press the [F1] and [F2] buttons to check the auto vane. (Fig. 7-4)
Press the [RETURN] button to return to the Test run operation screen.



7. Test run

Step 4 Confirm the operation of the outdoor unit fan.

The speed of the outdoor unit fan is controlled in order to control the performance of the unit. Depending on the ambient air, the fan will rotate at a slow speed and will keep rotating at that speed unless the performance is insufficient. Therefore, the outdoor wind may cause the fan to stop rotating or to rotate in the opposite direction, but this is not a problem.

Step 5 Stop the test run.

① Press the [ON/OFF] button to stop the test run. (The Test run menu will appear.)
 Note: If an error is displayed on the remote controller, see the table below.

LCD	Description of malfunction	LCD	Description of malfunction	LCD	Description of malfunction
P1	Intake sensor error	P9	Pipe sensor error (dual-wall pipe)	E0 – E5	Communication error between the remote controller and the indoor unit
P2	Pipe sensor error (liquid pipe)	PA	Leakage error (refrigerant system)		
P4	Drain float switch connector disconnected (CN4F)	PB (Pb)	Indoor unit fan motor error		
P5	Drain overflow protection operation	PL	Refrigerant circuit abnormal	E6 – EF	Communication error between the indoor unit and the outdoor unit
P6	Freezing/overheating protection operation	FB	Indoor controller board error		
P8	Pipe temperature error	U*, F* (* indicates an alphanumeric character excluding FB.)	Outdoor unit malfunction Refer to the wiring diagram for the outdoor unit.		

See the table below for the details of the LED display (LED 1, 2, and 3) on the indoor controller board.

LED1 (microcomputer power supply)	Indicates whether control power is supplied. Make sure that this LED is always lit.
LED2 (remote controller power supply)	Indicates whether power is supplied to the wired remote controller. The LED is lit only for the indoor unit that is connected to the outdoor unit that has an address of 0.
LED3 (indoor/outdoor unit communication)	Indicates whether the indoor and outdoor units are communicating. Make sure that this LED is always blinking.

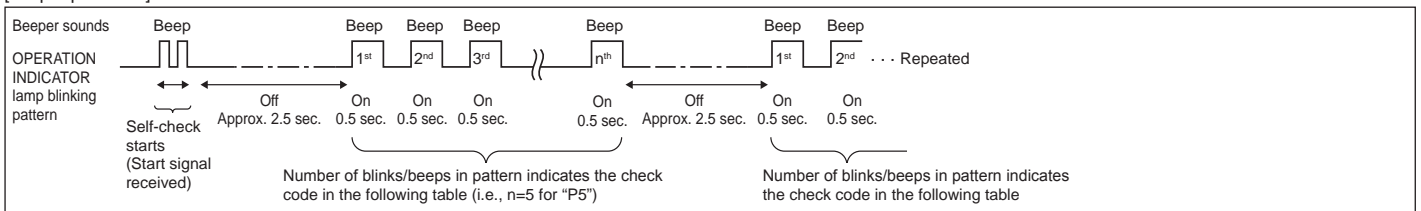
Note:

If the unit is operated continuously during a test run, the unit stops after 2 hours.

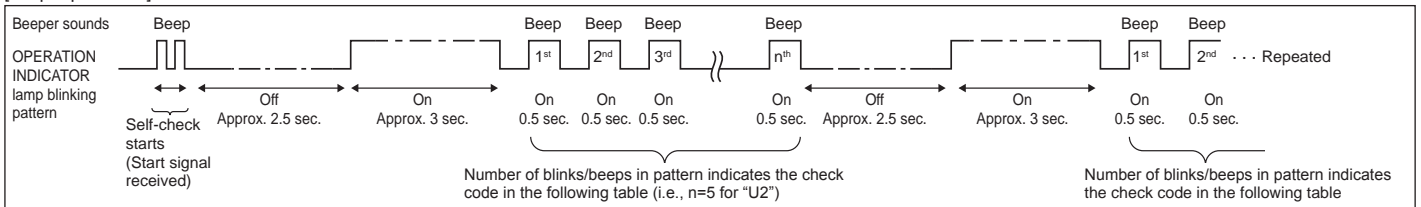
7.3. Self-check

- Refer to the installation manual that comes with each remote controller for details.
- Refer to the following tables for details on the check codes. (Wireless remote controller)

[Output pattern A]



[Output pattern B]



7. Test run

[Output pattern A] Errors detected by indoor unit

Wireless remote controller	Wired remote controller	Symptom	Remark
Beeper sounds/OPERATION INDICATOR lamp blinks (Number of times)	Check code		
1	P1	Intake sensor error	
2	P2	Pipe (TH2) sensor error	
	P9	Pipe (TH5) sensor error	
3	E6, E7	Indoor/outdoor unit communication error	
4	P4	Drain sensor error / Float switch connector open	
5	P5	Drain pump error	
	PA	Forced compressor error	
6	P6	Freezing/Overheating protection operation	
7	EE	Communication error between indoor and outdoor units	
8	P8	Pipe temperature error	
9	E4	Remote controller signal receiving error	
10	—	—	
11	PB (Pb)	Indoor unit fan motor error	
12	FB (Fb)	Indoor unit control system error (memory error, etc.)	
14	PL	Refrigerant circuit abnormal	
No sound	E0, E3	Remote controller transmission error	
No sound	E1, E2	Remote controller control board error	
No sound	— — — —	No corresponding	

[Output pattern B] Errors detected by unit other than indoor unit (outdoor unit, etc.)

Wireless remote controller	Wired remote controller	Symptom	Remark
Beeper sounds/OPERATION INDICATOR lamp blinks (Number of times)	Check code		
1	E9	Indoor/outdoor unit communication error (Transmitting error) (Outdoor unit)	For details, check the LED display of the outdoor controller board.
2	UP	Compressor overcurrent interruption	
3	U3, U4	Open/short of outdoor unit thermistors	
4	UF	Compressor overcurrent interruption (When compressor locked)	
5	U2	Abnormal high discharging temperature/49C worked/insufficient refrigerant	
6	U1, Ud	Abnormal high pressure (63H worked)/Overheating protection operation	
7	U5	Abnormal temperature of heat sink	
8	U8	Outdoor unit fan protection stop	
9	U6	Compressor overcurrent interruption/Abnormal of power module	
10	U7	Abnormality of super heat due to low discharge temperature	
11	U9, UH	Abnormality such as overvoltage or voltage shortage and abnormal synchronous signal to main circuit/Current sensor error	
12	—	—	
13	—	—	
14	Others	Other errors (Refer to the technical manual for the outdoor unit.)	

*1 If the beeper does not sound again after the initial 2 beeps to confirm the self-check start signal was received and the OPERATION INDICATOR lamp does not come on, there are no error records.

*2 If the beeper sounds 3 times continuously "beep, beep, beep (0.4 + 0.4 + 0.4 sec.)" after the initial 2 beeps to confirm the self-check start signal was received, the specified refrigerant address is incorrect.

- On wireless remote controller
The continuous buzzer sounds from receiving section of indoor unit.
Blink of operation lamp
- On wired remote controller
Check code displayed in the LCD.

7. Test run

- If the unit cannot be operated properly after test run, refer to the following table to find the cause.

Symptom		LED 1, 2 (PCB in outdoor unit)	Cause
Wired remote controller			
PLEASE WAIT	For about 2 minutes after power-on	After LED 1, 2 are lit, LED 2 is turned off, then only LED 1 is lit. (Correct operation)	•For about 2 minutes after power-on, operation of the remote controller is not possible due to system start-up. (Correct operation)
PLEASE WAIT → Error code	Subsequent to about 2 minutes after power-on	Only LED 1 is lit. → LED 1, 2 blink.	•Connector for the outdoor unit's protection device is not connected. Reverse or open phase wiring for the outdoor unit's power terminal block (L1, L2, L3)
Display messages do not appear even when operation switch is turned ON (operation lamp does not light up).		Only LED 1 is lit. → LED 1 blinks twice, LED 2 blinks once.	•Incorrect wiring between indoor and outdoor units (incorrect polarity of S1, S2, S3) •Remote controller wire short

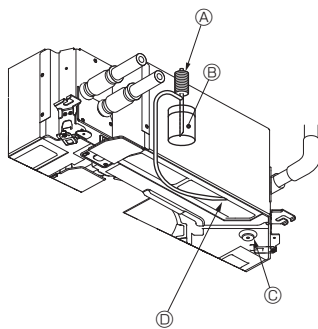
On the wireless remote controller with condition above, following phenomena take place.

- No signals from the remote controller are accepted.
- Operation lamp is blinking.
- The buzzer makes a short ping sound.

Note:

Operation is not possible for about 30 seconds after cancellation of function selection. (Correct operation)

For description of each LED (LED1, 2, 3) provided on the indoor controller, refer to page 13.



- Ⓐ Water supply pump
 - Ⓑ Water (about 1000 cc, 1/4 gal)
 - Ⓒ Drain plug
 - Ⓓ Pour water through outlet
- Be careful not to spray water into the drain pump mechanism.

Fig. 7-5

7.4. Check of drainage (Fig. 7-5)

- Ensure that the water is being properly drained out and that no water is leaking from joints.

When electric work is completed.

- Pour water during cooling operation of test run (refer to 7.2.) and check.

When electric work is not completed.

- Pour water during emergency operation and check.

* Drain pan and fan are activated simultaneously when single phase 220-240 V is turned on to S1 and S2 on terminal block after the connector (SWE) on controller board in the electrical box is set to ON.

Be sure to turn it back to the former state after work.

8. System control

Refer to the outdoor unit installation manual.

9. Installing the grille

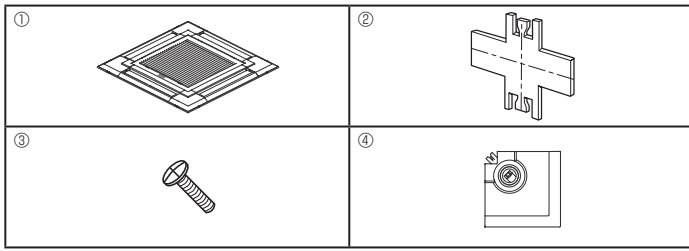


Fig. 9-1

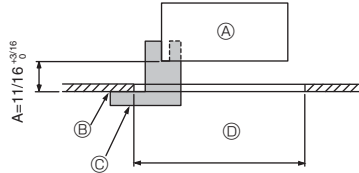


Fig. 9-2

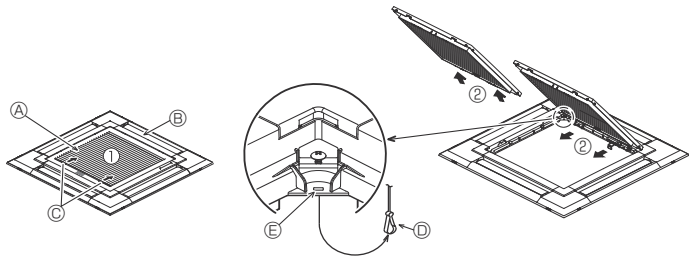


Fig. 9-3

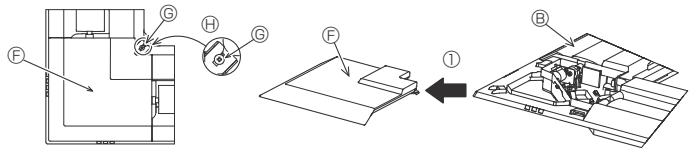


Fig. 9-4

	4-directional	3-directional
Blowout direction patterns	1 pattern: initial setting 	4 patterns: one air outlet fully closed
Blowout direction patterns	2-directional	
Blowout direction patterns	6 patterns: 2 air outlet fully closed 	

Table 1

<Hook is in the raised position>

<Hook is in the lowered position>

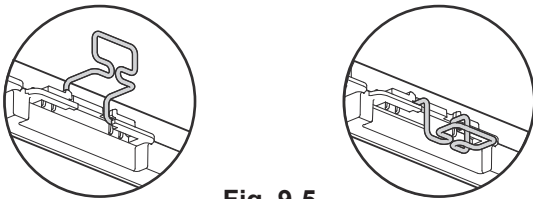


Fig. 9-5

9.1. Checking the contents (Fig. 9-1)

- This kit contains this manual and the following parts.

	Accessory name	Q'ty	Remarks
①	Grille	1	950 × 950 (mm), 37-3/8 × 37-3/8 (inch)
②	Installation gauge	1	(Divided into 4 parts)
③	Screw (4 × 16)	1	For PLP-40EAU, PLP-40EAEU
④	i-see Sensor corner panel	1	For PLP-40EAEU

9.2. Preparing to attach the grille (Fig. 9-2)

- With the gauge ② supplied with this kit, adjust and check the positioning of the main unit relative to the ceiling surface. If the main unit is not properly positioned relative to the ceiling surface, it may allow air leaks or cause condensation to collect.
- Make sure that the opening in the ceiling is within the following tolerances: 860 × 860-910 × 910 mm, 33-7/8 × 33-7/8 to 35-13/16 × 35-13/16 inch
- Make sure that A is performed within 17-22 mm, 11/16 to 7/8 inch. Damage could result by failing to adhere to this range.
 - Ⓐ Main unit
 - Ⓑ Ceiling surface
 - Ⓒ Installation gauge ② (inserted into the main unit)
 - Ⓓ Ceiling opening dimensions

9.2.1. Removing the intake grille (Fig. 9-3)

- Slide the levers in the direction indicated by the arrows ① to open the intake grille.
- Unlatch the hook that secures the grille.
 - * Do not unlatch the hook for the intake grille.
- With the intake grille in the "open" position, remove the hinge of the intake grille from the grille as indicated by the arrows ②.

9.2.2. Removing the corner panel (Fig. 9-4)

- Loose the 4 screws on the corner. Slide the corner panel in the direction of the arrow ① in the figure and remove the corner panel.

[Fig. 9-3] [Fig. 9-4]

- Ⓐ Intake grille
- Ⓑ Grille ①
- Ⓒ Intake grille levers
- Ⓓ Grille hook
- Ⓔ Hole for the grille's hook
- Ⓕ Corner panel
- Ⓖ Screw
- Ⓗ Detail

9.3. Selection of air outlets

For this grille the discharge direction is available in 11 patterns. Also, by setting the remote controller to the appropriate settings, you can adjust the air-flow and speed. Select the required settings from the Table 1 according to the location in which you want to install the unit. (More than two directions must be selected.)

- Decide on the discharge direction pattern.
- Be sure to set the remote controller to the appropriate settings according to the number of air outlets and the height of the ceiling on which the main unit will be installed. (Refer to page 11.)

Notes:

- When changing the number of directions, you need an air outlet shutter plate, which is optional part.
- Do not select 2 directions in a hot and humid environment. (Dew formation or dew drop may result.)

9.4. Installing the grille

9.4.1. Preparations (Fig. 9-5)

Make sure to flip 2 hooks on the grille up.

9. Installing the grille

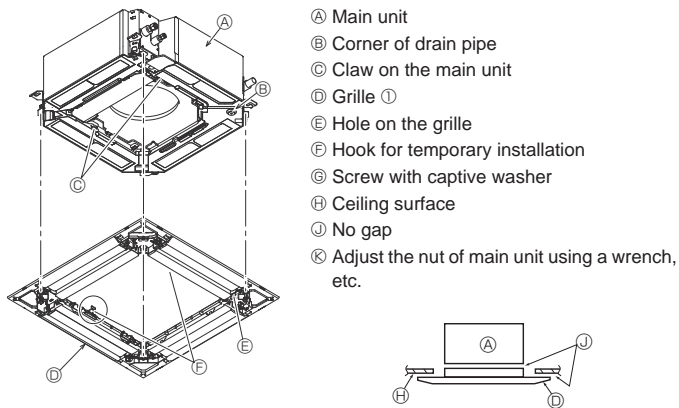


Fig. 9-6

< The grille temporary installed >

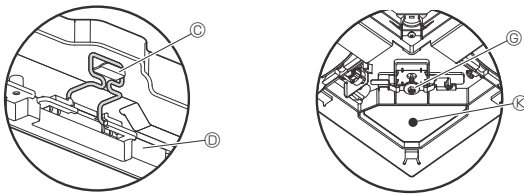


Fig. 9-7

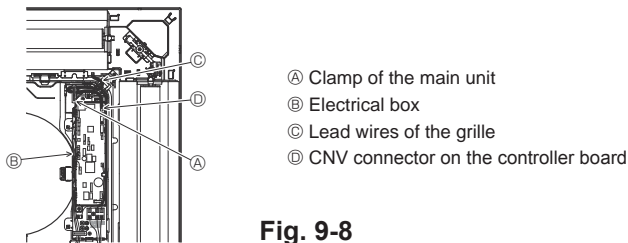


Fig. 9-8

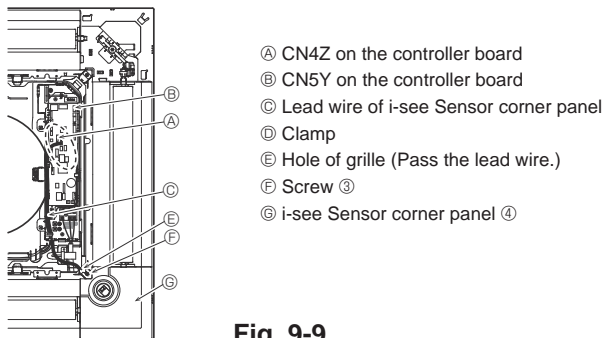


Fig. 9-9

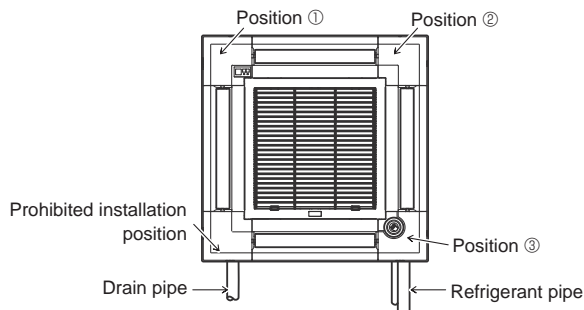


Fig. 9-10

9.4.2. Temporary installation of the grille (Fig. 9-6)

- Join the corner of drain pipe on the main unit with the corner with hole on the grille and put them together temporarily by hanging the hook of the grille to the claw of the main unit.

9.4.3. Fixing the grille

- By tightening the pre-installed screws, fix the grille onto the main unit. (Fig. 9-6)
Note:
Make sure there is no gap between the main unit and the grille or between the grille and the ceiling surface. (Fig. 9-7)

If there is a gap between the grille and the ceiling:

With the grille attached, slightly adjust the installation height of the main unit and clear the gap.

⚠ Caution:

- When tightening the screw, make sure that the tightening torque is 2.8 N·m to 3.6 N·m, 2.1 to 2.6 ft·lbs. Never use an impact screw driver.
- After tightening the screw, confirm that the two grille hooks (Fig. 9-6) are latched onto the hooks on the main unit.

9.4.4. Wire connection (Fig. 9-8)

- Loose the 2 screws fixing the electrical box cover on the main unit, and slide the cover to open.
- Route the lead wire from side of the electrical box.
- Make sure to connect a connector for vane motor (white, 20 poles) to CNV connector (white) on the controller board of the main unit.
- Lead wires that lead off the grille must be held together without slack using a clamp into the electrical box.

9.4.5. Installation of i-see Sensor corner panel (Fig. 9-9)

- Route the lead wire from the side of electrical box.
- Route the lead wire connector (white, 4 poles and white, 5 poles) of the i-see Sensor corner panel ④ from the side of the electrical box on the main unit and connect to the connector CN4Z and CN5Y on the controller board.
- The remaining lead wire of i-see Sensor corner panel must be held together without slack using the clamp into the electrical box.
- Put the cover back on the electrical box with 2 screws.

Note:

Make sure wires are not caught in the electrical box cover.

- The i-see Sensor corner panel should be fixed onto the grille ① with screw ③.
- * If the position of the i-see Sensor was changed from default position (Position ③) to the other position, change the function settings. (Refer to page 11 and Fig. 9-10)
- The i-see Sensor corner panel can not installed on the drain pipe side for the main unit. (Refer to Fig. 9-10)

Position ①: (Air outlet identification marks □/□□□)

Position ②: (Air outlet identification marks □/□)

Position ③: Default i-see Sensor position (Air outlet identification marks □□/□□)

9. Installing the grille

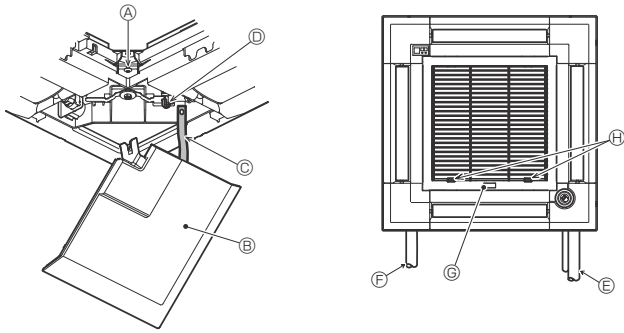


Fig. 9-11

9.5. Installing the intake grille (Fig. 9-11)

Note:

When reinstalling the corner panels (each with a safety strap attached), connect the other end of each safety strap to the grille as shown in the illustration.

* If the corner panels are not attached surely, they may fall off while the main unit is operating.

• Perform the procedure that is described in "9.2. Preparing to attach the grille" in reverse order to install the intake grille and the corner panel.

• The direction of the intake grille can be changed according to the wishes of the customer.

Ⓐ Screw (4 x 16)

Ⓑ Corner panel

Ⓒ Safety strap

Ⓓ Hook

Ⓔ Refrigerant pipe

Ⓕ Drain pipe

Ⓖ Company logo

* Installation in any position is possible.

Ⓜ Initial position of the levers on the intake grille

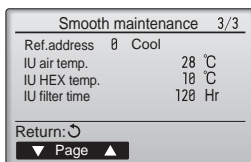
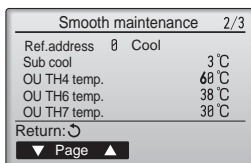
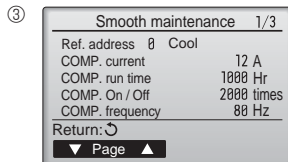
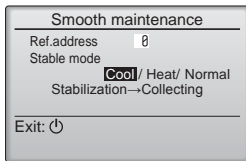
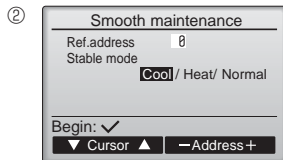
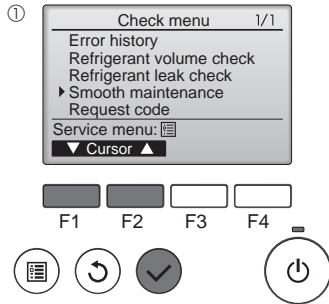
* Although the clips can be installed in any of 4 positions, the configuration shown here is recommended. (It is not necessary to remove the intake grille when maintenance is performed on the electrical box of the main unit.)

10. Easy maintenance function

Maintenance data, such as the indoor/outdoor unit's heat exchanger temperature and compressor operation current can be displayed with "Smooth maintenance".

* This cannot be executed during test operation.

* Depending on the combination with the outdoor unit, this may not be supported by some models.



• Select "Service" from the Main menu, and press the [SELECT] button.

• Select "Check" with the [F1] or [F2] button, and press the [SELECT] button.

• Select "Smooth maintenance" with the [F1] or [F2] button, and press the [SELECT] button.

Select each item.

• Select the item to be changed with the [F1] or [F2] button.

• Select the required setting with the [F3] or [F4] button.

"Ref. address" setting "0"- "15"

"Stable mode" setting "Cool" / "Heat" / "Normal"

• Press the [SELECT] button, fixed operation will start.

* Stable mode will take approx. 20 minutes.

The operation data will appear.

The Compressor-Accumulated operating (COMP. run) time is 10-hour unit, and the Compressor-Number of operation times (COMP. On/Off) is a 100-time unit (fractions discarded)

Navigating through the screens

- To go back to the Main menu.....[MENU] button
- To return to the previous screen [RETURN] button

Index

1. Consignes de sécurité.....	19	6. Installations électriques.....	24
2. Emplacement pour l'installation.....	20	7. Marche d'essai.....	29
3. Installation de l'appareil intérieur.....	20	8. Contrôle du système.....	32
4. Installation de la tuyauterie du réfrigérant.....	22	9. Installer la grille.....	33
5. Mise en place du tuyau d'écoulement.....	23	10. Fonction d'entretien aisé.....	35

Remarque:

Dans le présent manuel d'utilisation, l'expression "Télécommande fi laire" fait uniquement référence au modèle PAR-32MAA. Pour toute information sur l'autre télécommande, reportez-vous au manuel d'installation ou au manuel de réglage initial fournis dans les boîtes.

1. Consignes de sécurité

- ▶ Avant d'installer le climatiseur, lire attentivement toutes les "Consignes de sécurité".
- ▶ Veuillez consulter ou obtenir l'autorisation de votre compagnie d'électricité avant de connecter votre système.

⚠ Avertissement:

Précautions à suivre pour éviter tout danger de blessure ou de décès de l'utilisateur.

⚠ Précaution:

Décrit les précautions qui doivent être prises pour éviter d'endommager l'appareil.

⚠ Avertissement:

- Contacter un revendeur ou un technicien agréé pour installer l'appareil.
- N'essayez jamais de réparer ou de déplacer vous-même l'appareil.
- Pour l'installation, respecter les instructions du manuel d'installation et utiliser des outils et des composants de tuyau spécialement conçus pour une utilisation avec le réfrigérant spécifié dans le manuel d'installation de l'appareil extérieur.
- L'appareil doit être installé conformément aux instructions pour réduire les risques de dommages liés à des tremblements de terre, des typhons ou des vents violents. Une installation incorrecte peut entraîner la chute de l'appareil et provoquer des dommages ou des blessures.
- L'appareil doit être solidement installé sur une structure pouvant supporter son poids.
- Si le climatiseur est installé dans une petite pièce, certaines mesures doivent être prises pour éviter que la concentration de réfrigérant ne dépasse le seuil de sécurité en cas de fuite. En cas de fuite de réfrigérant et de dépassement du seuil de concentration, des risques liés au manque d'oxygène dans la pièce peuvent survenir.
- Aérer la pièce en cas de fuite de réfrigérant lors de l'utilisation. Le contact du réfrigérant avec une flamme peut provoquer des émanations de gaz toxiques.
- Tout travail sur les installations électriques doit être effectué par un technicien qualifié conformément aux réglementations locales et aux instructions fournies dans ce manuel.
- N'utiliser que les câbles spécifiés pour les raccordements. Les raccordements doivent être réalisés correctement sans tension sur les bornes. Ne jamais effectuer de jonction sur les câbles (sauf en cas d'indications contraires). Le non respect de cette consigne peut entraîner une surchauffe ou un incendie.
- L'appareil doit être installé conformément aux réglementations nationales relatives au câblage.

Une fois l'installation terminée, expliquer les "Consignes de sécurité", l'utilisation et l'entretien de l'appareil au client conformément aux informations du mode d'emploi et effectuer l'essai de fonctionnement en continu pour garantir un fonctionnement normal. Le manuel d'installation et le mode d'emploi doivent être fournis à l'utilisateur qui doit les conserver. Ces manuels doivent également être transmis aux nouveaux utilisateurs.

⚠ Indique un élément qui doit être mis à la terre.

⚠ Avertissement:

Prendre soin de lire les étiquettes se trouvant sur l'appareil principal.

- Cet appareil n'est pas conçu pour être utilisé par des personnes (y compris des enfants) présentant des capacités physiques, sensorielles ou mentales réduites, ou manquant d'expérience et de connaissances, à moins qu'elles ne soient supervisées ou aient reçu des instructions relatives à l'utilisation de l'appareil par une personne responsable de leur sécurité.
- Les enfants doivent être surveillés pour s'assurer qu'ils ne jouent pas avec l'appareil.
- Le couvercle du bloc de sortie de l'appareil doit être solidement fixé.
- Si le cordon d'alimentation est endommagé, il doit être remplacé par le fabricant, ses revendeurs ou un technicien qualifié pour éviter tout danger de choc électrique.
- N'utiliser que les accessoires agréés par Mitsubishi Electric et contacter un revendeur ou un technicien agréé pour les installer.
- Une fois l'installation terminée, vérifier les éventuelles fuites de réfrigérant. Si le réfrigérant fuit dans la pièce et entre en contact avec la flamme d'un chauffage ou d'une cuisinière, des gaz toxiques peuvent se dégager.
- Lors de l'installation, du déplacement ou de l'entretien du climatiseur, n'utilisez que le réfrigérant spécifié (R410A) pour remplir les tuyaux de réfrigérant. Ne pas le mélanger avec un autre réfrigérant et faire le vide d'air dans les tuyaux. Si du réfrigérant est mélangé avec de l'air, cela peut provoquer des pointes de pression dans les tuyaux de réfrigérant et entraîner une explosion et d'autres risques. L'utilisation d'un réfrigérant différent de celui spécifié pour le climatiseur peut entraîner des défaillances mécaniques, des dysfonctionnements du système ou une panne de l'appareil. Dans le pire des cas, cela peut entraîner un obstacle à la mise en sécurité du produit.

1.1. Avant l'installation (Environnement)

⚠ Précaution:

- Ne pas utiliser l'appareil dans un environnement inhabituel. Si le climatiseur est installé dans des endroits exposés à la vapeur, à l'huile volatile (notamment l'huile de machine), au gaz sulfurique ou à une forte teneur en sel, par exemple, en bord de mer, les performances peuvent considérablement diminuer et les pièces internes de l'appareil être endommagées.
- Ne pas installer l'appareil dans des endroits où des gaz de combustion peuvent s'échapper, se dégager ou s'accumuler. L'accumulation de gaz de combustion autour de l'appareil peut provoquer un incendie ou une explosion.
- Ne pas placer d'aliments, de plantes, d'animaux en cage, d'objets d'art ou d'instruments de précision dans la soufflerie d'air direct de l'appareil intérieur ou à proximité de l'appareil au risque de les endommager par des variations de température ou des gouttes d'eau.

- Si l'humidité ambiante dépasse 80% ou si le tuyau d'écoulement est bouché, des gouttes d'eau peuvent tomber de l'appareil intérieur. Ne pas installer l'appareil intérieur dans un endroit où ces gouttes peuvent provoquer des dommages.
- Lors de l'installation de l'appareil dans un hôpital ou un centre de communications, se préparer au bruit et aux interférences électroniques. Les inverseurs, les appareils électroménagers, les équipements médicaux haute fréquence et de communications radio peuvent provoquer un dysfonctionnement ou une défaillance du climatiseur. Le climatiseur peut également endommager les équipements médicaux et de communications, perturbant ainsi les soins et réduisant la qualité d'affichage des écrans.

1.2. Avant l'installation ou le déplacement

⚠ Précaution:

- Transporter les appareils avec précaution. L'appareil doit être transporté par au moins deux personnes, car il pèse 20 kg, 44 lb minimum. Ne pas le saisir par les rubans d'emballage. Porter des gants de protection en raison du risque de se blesser les mains sur les ailettes ou d'autres pièces.
- Veiller à éliminer le matériel d'emballage en toute sécurité. Le matériel d'emballage (clous et autres pièces en métal ou en bois) peut provoquer des blessures.
- Isoler le tuyau de réfrigérant pour éviter la condensation. S'il n'est pas correctement isolé, de la condensation risque de se former.
- Placer un isolant thermique sur les tuyaux pour éviter la condensation. L'installation incorrecte du tuyau d'écoulement peut provoquer des fuites d'eau et endommager le plafond, le sol, les meubles ou d'autres objets.

- Ne pas nettoyer le climatiseur à l'eau au risque de provoquer un choc électrique.
- Serrer tous les écrous évasés conformément aux spécifications à l'aide d'une clé dynamométrique. S'ils sont trop serrés, ils peuvent casser après une période prolongée.
- Si l'appareil fonctionne pendant de nombreuses heures lorsque la température/le taux d'humidité de l'air au-dessus du plafond sont élevés (point de rosée supérieur à 26 °C, 79 °F), de la condensation peut se produire dans l'appareil intérieur ou dans les matériaux du plafond. Si les appareils doivent être utilisés dans ces conditions, ajoutez une couche d'isolation (10 à 20 mm, 25/64 - 25/32 pouces) sur toute la surface de l'appareil et du plafond pour éviter la condensation.

1.3. Avant l'installation électrique

⚠ Précaution:

- Veiller à installer des coupe-circuits. Dans le cas contraire, un choc électrique peut se produire.
- Pour les lignes électriques, utiliser des câbles standard de capacité suffisante. Dans le cas contraire, un court-circuit, une surchauffe ou un incendie peut se produire.
- Lors de l'installation des lignes électriques, ne pas mettre les câbles sous tension.

- Veiller à mettre l'appareil à la terre. Une mise à la terre incorrecte de l'appareil peut provoquer un choc électrique.
- Utiliser des coupe-circuits (disjoncteur de fuite à la terre, interrupteur d'isolement (fusible +B) et disjoncteur à boîtier moulé) à la capacité spécifiée. Si la capacité du coupe-circuit est supérieure à celle spécifiée, une défaillance ou un incendie peut se produire.

1.4. Avant la marche d'essai

⚠ Précaution:

- Activer l'interrupteur principal au moins 12 heures avant la mise en fonctionnement de l'appareil. L'utilisation de l'appareil juste après sa mise sous tension peut endommager sérieusement les pièces internes.
- Avant d'utiliser l'appareil, vérifier que tous les panneaux, toutes les protections et les autres pièces de sécurité sont correctement installés. Les pièces tournantes, chaudes ou à haute tension peuvent provoquer des blessures.
- Ne pas utiliser le climatiseur si le filtre à air n'est pas installé. Sinon, des

- poussières peuvent s'accumuler et endommager l'appareil.
- Ne pas toucher les interrupteurs les mains humides au risque de provoquer un choc électrique.
- Ne pas toucher les tuyaux de réfrigérant les mains nues lors de l'utilisation.
- A la fin de l'utilisation de l'appareil, attendre au moins cinq minutes avant de désactiver l'interrupteur principal. Dans le cas contraire, une fuite d'eau ou une défaillance peut se produire.

2. Emplacement pour l'installation

Consulter le manuel d'installation de l'appareil extérieur.

3. Installation de l'appareil intérieur

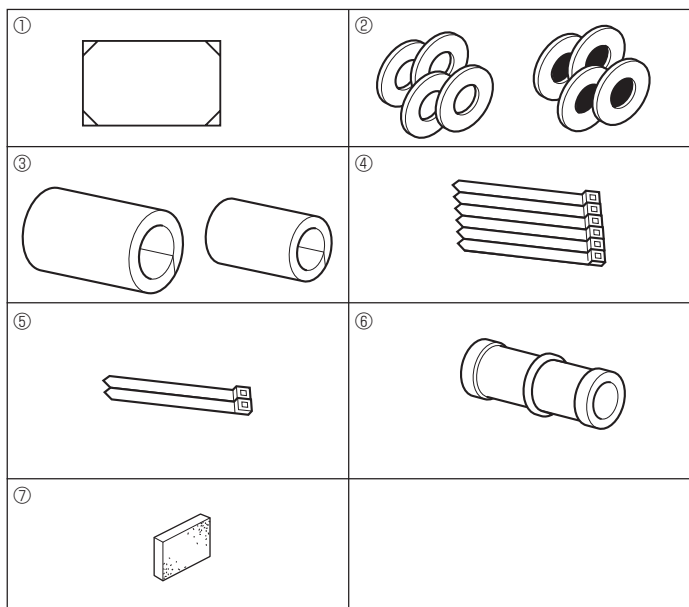


Fig. 3-1

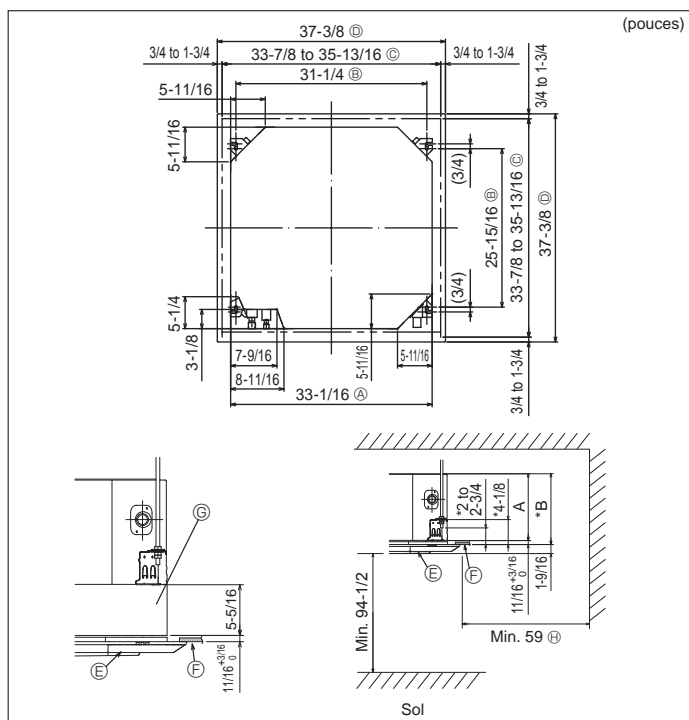


Fig. 3-2

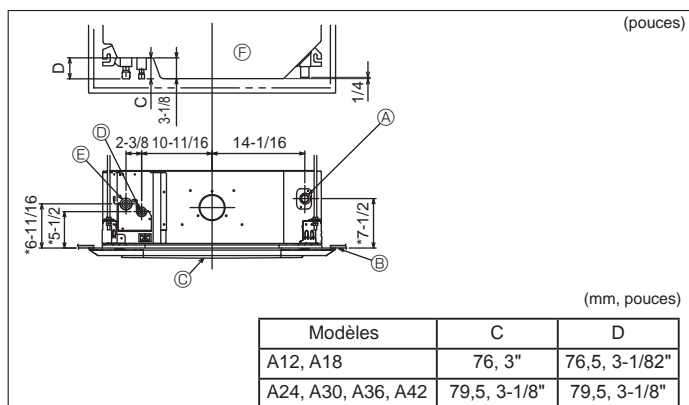


Fig. 3-3

3.1. Vérifier les accessoires qui accompagnent l'appareil intérieur (Fig. 3-1)

L'appareil intérieur doit être livré avec les accessoires suivants:

	Nom de l'accessoire	Qté
①	Schéma d'installation (haut du colis)	1
②	Rondelles (avec isolation)	4
	Rondelles (sans isolation)	4
③	Cache-tuyaux (pour le raccord des tuyaux de réfrigérant) petit diamètre	1
	grand diamètre	1
④	Courroie (large)	6
⑤	Courroie (petite)	2
⑥	Prise d'écoulement	1
⑦	Isolation	1

3.2. Ouvertures dans le plafond et emplacement des boulons de suspension (Fig. 3-2)

⚠ **Précaution:**

Installer l'appareil intérieur à 2,4 m, 94 - 1/2 pouces au moins au-dessus du sol ou sur un plan surélevé.

Pour les appareils qui ne sont pas accessibles au public.

• Utiliser le schéma d'installation (dans le haut du colis) et le gabarit (fourni comme accessoire avec la grille) pour créer une ouverture dans le plafond de sorte à pouvoir installer l'appareil principal comme illustré sur le schéma. (Les méthodes d'utilisation du schéma et du gabarit sont indiquées également.)

* Avant toute utilisation, vérifier les dimensions du schéma et du gabarit car celles-ci peuvent changer en fonction de la température et de l'humidité.

* Les dimensions de l'ouverture dans le plafond peuvent être définies au sein de la plage indiquée dans la Fig.3-2 ; centrer l'appareil principal par rapport à l'ouverture dans le plafond, en veillant à la symétrie de chaque côté par rapport à l'orifice.

• Utiliser des boulons de suspension M10 (3/8").

* L'acquisition des boulons de suspension doit se faire localement.

• Installer l'appareil de manière sûre, en veillant à ce qu'il n'y ait pas de vide entre le panneau du plafond et la grille ni entre l'appareil principal et la grille.

- Ⓐ Partie extérieure de l'appareil principal
- Ⓑ Grille
- Ⓒ Ecartement entre les boulons
- Ⓓ Plafond
- Ⓔ Ouverture dans le plafond
- Ⓕ Boîtier multifonctions (optionnel)
- Ⓖ Partie extérieure de la grille
- Ⓖ Toute la périphérie

* N'oubliez pas que l'espace laissé entre le panneau de l'appareil côté plafond et le pan de plafond, etc. doit être de 7 mm, 5/16 pouces minimum.

* Lors de l'installation du boîtier multifonctions disponible en option, ajouter 135 mm, 5 - 5/16 pouces aux dimensions indiquées dans la figure.

(mm, pouces)

Modèles	A	B
A12, A18	241, 9-1/2"	258, 10-3/16"
A24, A30, A36, A42	281, 11-1/16"	298, 11-3/4"

3.3. Emplacement des tuyaux de réfrigérant et d'écoulement de l'appareil intérieur (Fig. 3-3)

Les chiffres marqués d'une * sur le croquis représentent les dimensions de l'appareil principal sans tenir compte de celles du boîtier multifonctions disponible en option.

- Ⓐ Tuyau d'évacuation
- Ⓑ Plafond
- Ⓒ Grille
- Ⓓ Tuyau de réfrigérant (liquide)
- Ⓔ Tuyau de réfrigérant (gaz)
- Ⓕ Appareil principal

* Lors de l'installation d'un boîtier multifonctions disponible en option, ajouter 135 mm, 5 - 5/16 pouces aux dimensions indiquées sur le croquis.

3. Installation de l'appareil intérieur

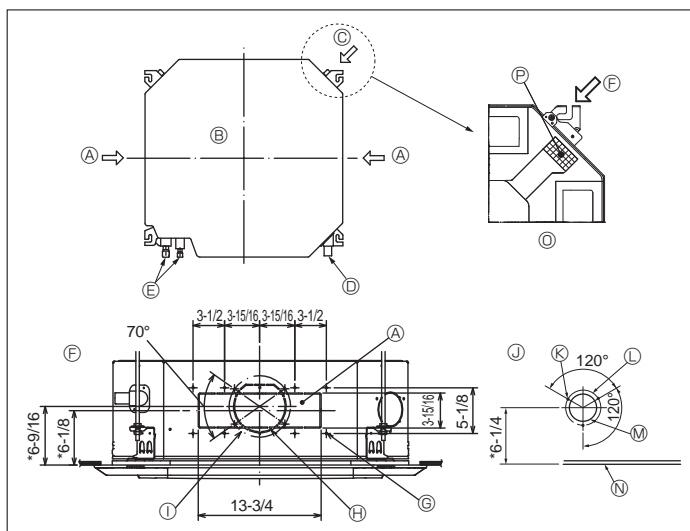


Fig. 3-4

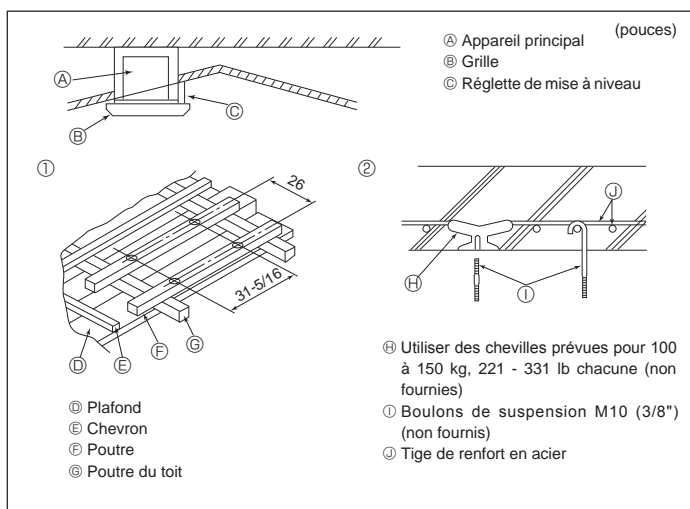


Fig. 3-5

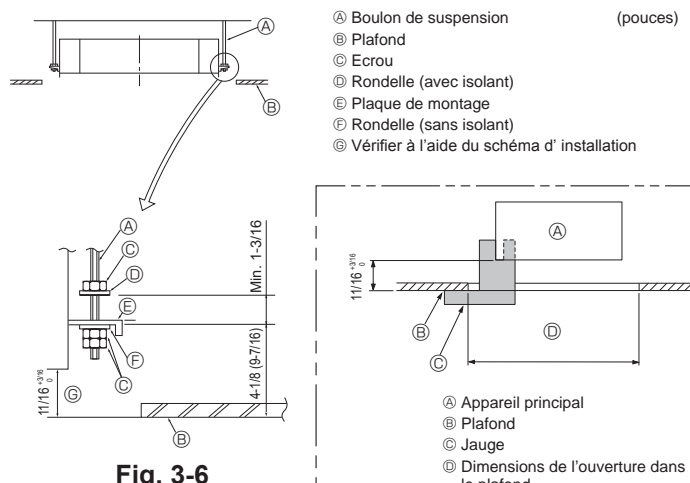


Fig. 3-6

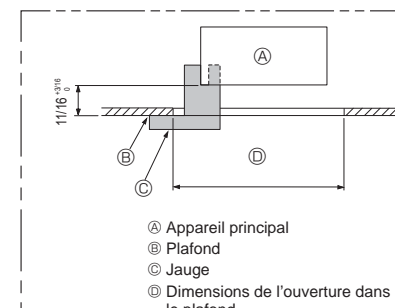


Fig. 3-7

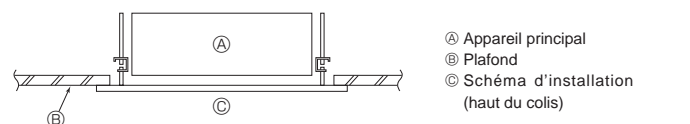


Fig. 3-8

3.4. Orifice pour le tuyau d'embranchement et orifice pour l'arrivée d'air frais (Fig. 3-4)

Lors de l'installation, utiliser les orifices des tuyaux (coupés) dont les positions sont indiquées dans les Fig. 3-4, en cas de nécessité.

- Il est également possible de créer un orifice d'arrivée d'air frais pour le boîtier multifonctions en option.

Remarque :

- La figure marquée d'un astérisque * sur le schéma représente les dimensions de l'appareil principal sans tenir compte des dimensions du boîtier multifonctions disponible en option.
- Lors de l'installation de ce boîtier multifonctions, ajouter 135 mm, 5 - 5/16 pouces aux dimensions reprises sur la figure.
- Lors de l'installation des tuyaux d'embranchement, veiller à toujours les isoler correctement sinon de la condensation risque de se former et des gouttes pourraient tomber.
- Lors de l'installation de l'orifice pour l'arrivée d'air frais, veiller à retirer l'isolant * qui est collé dans l'appareil intérieur.
- Lorsque l'air extérieur pénètre directement dans l'appareil principal, le volume d'air frais ne doit pas dépasser 5 % du volume d'air de l'appareil intérieur.
- Pour permettre à l'air extérieur de pénétrer, le ventilateur du tuyau et le filtre anti-poussière qui évitent toute pénétration de poussière ou autres particules dans l'appareil, sont indispensables.
- Pour en savoir plus, voir "Volume d'arrivée d'air frais & propriétés de la pression statique" dans le LIVRE DES DONNÉES série P.
- Lorsque l'air extérieur pénètre dans l'appareil principal, le bruit de fonctionnement peut être plus important.

- A Orifice du tuyau d'embranchement
- B Appareil principal
- C Orifice d'arrivée d'air frais
- D Tuyau d'écoulement
- E Tuyau de réfrigérant
- F Diagramme de l'orifice du tuyau d'embranchement
- G Vis autotaraudeuses 14-4x10
- H Orifice prédécoupé de $\varnothing 150$ mm, $\varnothing 5-7/8$ pouces
- I Ecartement de l'orifice perforé $\varnothing 175$ mm, $\varnothing 6-7/8$ pouces
- J Diagramme de l'orifice d'arrivée d'air frais
- K Vis autotaraudeuses 3-4x10
- L Ecartement de l'orifice perforé $\varnothing 125$ mm, $\varnothing 4-15/16$ pouces
- M Orifice prédécoupé $\varnothing 100$ mm, $\varnothing 3-15/16$ pouces
- N Plafond
- O Figure expliquant comment retirer l'isolant
- P Isolation

3.5. Structure de suspension (Construire une structure renforcée à l'endroit de suspension de l'appareil) (Fig. 3-5)

Les travaux à effectuer au plafond varient en fonction du type d'édifice. Il convient de consulter les constructeurs et les décorateurs du bâtiment pour plus de détails.

- (1) Étendue de la découpe dans le plafond: Le plafond doit être parfaitement à l'horizontale et ses fondations (encadrement: linteaux de bois ou supports de linteaux) doivent être renforcées afin d'éviter qu'il ne vibre.
- (2) Découper et déposer les fondations du plafond.
- (3) Renforcer les extrémités de la fondation du plafond à l'endroit de la découpe et ajouter une fondation de renfort pour assurer les extrémités des traverses du plafond.
- (4) Lors de l'installation de l'appareil sur un plafond incliné, installer une réglette de mise à niveau entre le plafond et la grille de telle sorte que l'appareil soit à l'horizontale.

- ① Structures en bois
- Utiliser les tirants (pour les maisons de plain-pied) ou les poutres de l'étage (pour les maisons à étage) comme renforts.

Les poutres en bois devant servir à soutenir les climatiseurs doivent être robustes et leurs côtés doivent avoir au moins 6 cm, $\varnothing 2-3/8$ pouces de long si les poutres sont séparées d'un intervalle de maximum 90 cm, $\varnothing 35-7/16$ pouces ou ils doivent avoir 9 cm, $\varnothing 3-9/16$ pouces de long si les poutres sont séparées par un intervalle allant jusqu'à 180 cm, 70-7/8 pouces. Les boulons de suspension doivent avoir 10 mm de diamètre (3/8"). (Ces boulons ne sont pas livrés avec l'appareil.)

- ② Structures en béton armé
- Fixer les boulons de suspension à l'aide de la méthode illustrée ou utiliser des chevilles en acier ou en bois, etc. pour installer les boulons de suspension.

3.6. Méthodes de suspension de l'appareil (Fig. 3-6)

- Suspendre l'appareil principal comme indiqué sur le diagramme.
- Les chiffres fournis entre parenthèses représentent les dimensions nécessaires en cas d'installation d'un boîtier multifonctions en option.
1. Poser à l'avance les éléments sur les boulons de suspension dans l'ordre rondelles (avec isolant), rondelles (sans isolant) et écrous (double).
 - Placer la rondelle avec isolant de telle sorte que la partie isolante soit tournée vers le bas.
 - En cas d'utilisation de rondelles supérieures pour suspendre l'appareil principal, les rondelles inférieures (avec isolant) et les écrous (doubles) doivent être installés postérieurement.
 2. Lever l'appareil à la hauteur adéquate des boulons de suspension pour introduire la plaque de montage entre les rondelles et la serrer convenablement.
 3. Lorsque l'appareil principal ne peut pas être aligné contre l'orifice de montage au plafond, il est possible de le régler par une fente prévue sur la plaque de montage.
 - S'assurer que le point A s'effectue dans une fourchette allant de 17 à 22 mm, 11/16 to 3/4 pouces. Le non respect de cette marge pourrait être à l'origine de certains dégâts. (Fig. 3-7)

⚠ Prémunition:
Utiliser la moitié supérieure du carton comme couvercle de protection pour empêcher les poussières ou les débris de pénétrer à l'intérieur de l'appareil avant la mise en place du couvercle de finition ou lors de l'application de matériaux de revêtement du plafond.

3.7. Confirmer l'emplacement de l'appareil principal et serrer les boulons de suspension (Fig. 3-8)

- A l'aide du gabarit fixé à la grille, s'assurer que le bas de l'appareil est aligné par rapport à l'ouverture dans le plafond. Veiller à bien vérifier ce point sinon des gouttes de condensation dues aux fuites d'air, etc. risquent de tomber.
- A l'aide d'un niveau ou d'un tube en vinyle rempli d'eau, vérifier que l'appareil principal soit bien à l'horizontale.
- Lorsque la bonne position de l'appareil principal est définie avec certitude, serrer convenablement les écrous des boulons de suspension pour le fixer.
- Le schéma d'installation (dans le haut du colis) peut servir de feuille protectrice pour empêcher la poussière de pénétrer à l'intérieur de l'appareil lorsque les grilles doivent rester enlevées pendant un certain temps ou si le recouvrement du plafond doit être remis en place ou ré-égalisé après l'installation de l'appareil.
- * Pour plus de détails concernant le montage, veuillez vous reporter aux instructions du schéma d'installation. (haut du colis)

4. Installation de la tuyauterie du réfrigérant

4.1. Consignes

Pour les appareils utilisant le réfrigérant R410A

- Utilisez de l'huile alkybenzène (en petite quantité) comme huile frigorigène sur les parties évasées.
- Utiliser le cuivre phosphoreux C1220, pour des tuyaux sans soudure en cuivre et en alliage de cuivre, pour raccorder les tuyaux de réfrigérant. Utiliser les tuyaux de réfrigérant dont l'épaisseur est spécifiée dans le tableau ci-dessous. Vérifier que l'intérieur des tuyaux est propre et dépourvu de tout agent nocif tel que des composés sulfuriques, des oxydants, des débris ou des saletés.

⚠ Avertissement:

Lors de l'installation, du déplacement ou de l'entretien du climatiseur, n'utilisez que le réfrigérant spécifié (R410A) pour remplir les tuyaux de réfrigérant. Ne pas le mélanger avec un autre réfrigérant et faire le vide d'air dans les tuyaux. Si du réfrigérant est mélangé avec de l'air, cela peut provoquer des pointes de pression dans les tuyaux de réfrigérant et entraîner une explosion et d'autres risques.

L'utilisation d'un réfrigérant différent de celui spécifié pour le climatiseur peut entraîner des défaillances mécaniques, des dysfonctionnements du système ou une panne de l'appareil. Dans le pire des cas, cela peut entraîner un obstacle à la mise en sécurité du produit.

ø6,35 mm, ø1/4 pouce épaisseur 0,8 mm, 1/32 pouce	ø9,52 mm, ø3/8 pouce épaisseur 0,8mm, 1/32 pouce
ø12,7 mm, ø1/2 pouce épaisseur 0,8 mm, 1/32 pouce	ø15,88 mm, ø5/8 pouce épaisseur 1,0 mm, 3/64 pouce

- Ne pas utiliser de tuyaux plus fins que ceux spécifiés ci-dessus.

4.2. Connexion des tuyaux (Fig. 4-1)

- En cas d'utilisation de tuyaux en cuivre disponibles sur le marché, envelopper les tuyaux de liquide et de gaz avec de la matière isolante vendue dans le commerce sur le marché (résistant à une chaleur de 100 °C, 212 °F ou supérieure et d'une épaisseur de 12 mm, 1/2 pouce ou plus).
- Appliquer un film mince d'huile réfrigérante sur la surface du tuyau et du support du joint avant de serrer l'écrou évasé.
- Utiliser deux clés pour serrer les connexions des tuyaux.
- Utiliser la matière isolante des tuyaux de réfrigérant fournie afin d'envelopper les connexions des appareils intérieurs. Effectuer l'isolation avec soin.
- Après le raccordement du tuyau de réfrigérant à l'appareil intérieur, vérifier toutes les connexions et s'assurer qu'il n'y a pas de fuite de gaz en envoyant de l'azote à l'état gazeux dans les tuyaux. (Vérifier qu'il n'y a pas de fuite de réfrigérant au niveau du tuyau de réfrigérant connecté à l'appareil intérieur.)
- Utilisez l'écrou évasé monté sur cet appareil intérieur.
- En cas de repose des tuyaux de réfrigérant après démontage, refaites la partie évasée du tuyau.

ⓐ Couple de serrage du raccord conique

Diam. ext. Tuyau en cuivre (mm, pouces)	Diam. ext. raccord conique (mm, pouces)	Couple de serrage (N-m, ft-lbs)
ø6,35, 1/4"	17, 43/64"	14-18, 10-13"
ø6,35, 1/4"	22, 7/8"	34-42, 25-30"
ø9,52, 3/8"	22, 7/8"	34-42, 25-30"
ø12,7, 1/2"	26, 1-3/32"	49-61, 35-44"
ø15,88, 5/8"	29, 1-9/64"	68-82, 49-59"

ⓒ Appliquer de l'huile réfrigérante sur toute la surface évasée du fond.

ⓓ Utiliser des écrous évasés corrects correspondant à la taille des tuyaux de l'appareil extérieur.

Tailles de tuyaux disponibles

	A12, A18	A24, A30, A36, A42
Côté liquide	ø6,35 O	—
	—	ø9,52 O
Côté gaz	ø12,7 O	ø15,88 O

O : Fixation de l'écrou évasé d'usine à l'échangeur thermique.

⚠ Avertissement:

- Attention aux écrous évasés volants ! (pressurisation interne)
Retirez l'écrou évasé en procédant comme suit :
 1. Desserrez l'écrou jusqu'à ce qu'un sifflement se fasse entendre.
 2. Ne retirez pas l'écrou tant que tout le gaz ne s'est pas complètement échappé (c'est-à-dire lorsque le sifflement s'arrête).
 3. Vérifiez si tout le gaz s'est échappé avant de retirer l'écrou.
- Pendant l'installation de l'appareil, brancher correctement les tuyaux de réfrigérant avant de lancer le compresseur.

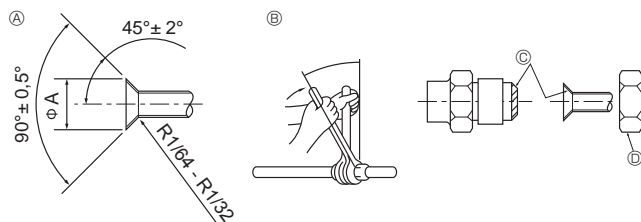


Fig. 4-1

ⓐ Dimension de l'évasement

Diam. ext. Tuyau en cuivre (mm, pouces)	Dimensions évasement Dimensions øA (mm, pouces)
ø6,35, 1/4"	8,7-9,1, 11/32-23/64"
ø9,52, 3/8"	12,8-13,2, 1/2-33/64"
ø12,7, 1/2"	16,2-16,6, 41/64-21/32"
ø15,88, 5/8"	19,3-19,7, 49-64-25/32"

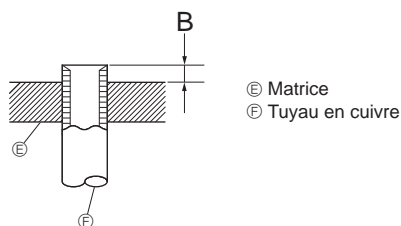


Fig. 4-2

Diam. ext. Tuyau en cuivre (mm, pouces)	B (mm, pouces)
	Outil d'évasement pour le R410A
	Type embrayage
ø6,35 (1/4")	1-1,5, 3/64-1/16"
ø9,52 (3/8")	1-1,5, 3/64-1/16"
ø12,7 (1/2")	1-1,5, 3/64-1/16"
ø15,88 (5/8")	1-1,5, 3/64-1/16"

4. Installation de la tuyauterie du réfrigérant

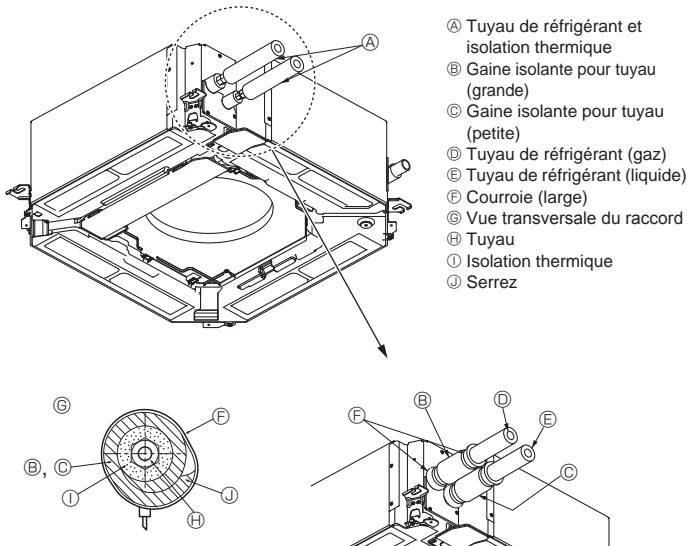


Fig. 4-3

Isolation des tuyaux de réfrigérant contre la chaleur (Fig. 4-3)

- 1 Enrouler le cache-tuyaux de grande dimension fourni autour du tuyau de gaz, en s'assurant que l'extrémité du cache-tuyaux touche le côté de l'appareil.
- 2 Enrouler le cache-tuyaux de petite dimension fourni autour du tuyau de liquide, en s'assurant que l'extrémité du cache-tuyaux touche le côté de l'appareil.
- 3 Fixer les deux extrémités de chaque cache-tuyaux à l'aide des bandes fournies. (Attacher les bandes à 20 mm, 25/32 pouces des extrémités des cache-tuyaux.)

4.3. Pour double combinaison

Consulter le manuel d'installation de l'appareil extérieur.

Certains appareils extérieurs ne peuvent pas être utilisés dans un système à combinaisons double simultanées.

5. Mise en place du tuyau d'écoulement

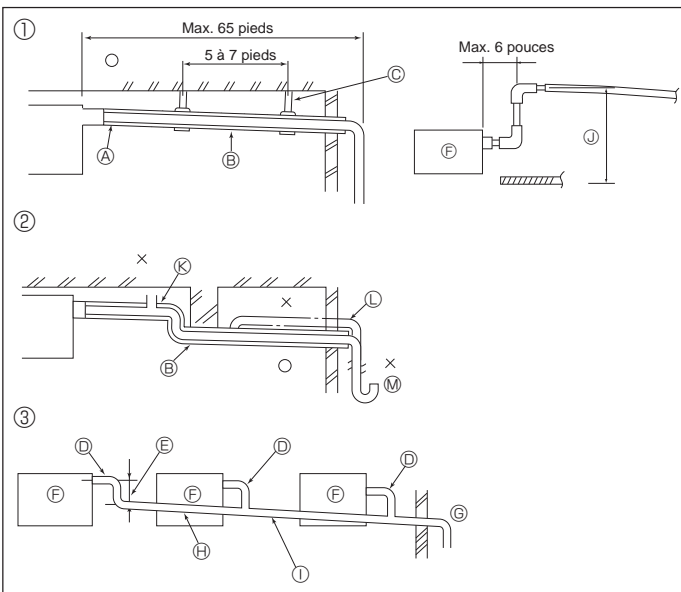


Fig. 5-1

5.1. Mise en place du tuyau d'écoulement (Fig. 5-1)

- Les parties intérieures du tuyau d'écoulement doivent également être entourées de matière isolante en mousse de polyéthylène (avec une poids spécifique de 0,03 et de 9 mm, 23/64 pouces d'épaisseur ou plus).
- Utiliser un tuyau VP25 (en PVC, O.D. \varnothing 32 mm, 1 - 1/4 pouces) pour les tuyaux d'écoulement et prévoir une pente d'1% ou plus.
- Veillez à toujours raccorder les joints des tuyauteries à l'aide d'adhésif de type PVC.
- Se baser sur le schéma pour les travaux de mise en place des tuyaux.
- Utiliser le tuyau d'écoulement livré pour modifier le sens d'évacuation.
- Lors de l'installation du tuyau d'écoulement, veillez à utiliser les supports métalliques. En cas de charge appliquée à la prise d'écoulement se traduisant par la détérioration ou le détachement du tuyau, des fuites d'eau peuvent se produire.

- | | |
|---|---|
| ① Tuyautage correct | Ⓒ Prévoir un orifice suffisamment grand pour la mise en place groupée des tuyaux. |
| ② Tuyautage erroné | Ⓓ Pente descendante (1% ou plus) |
| ③ Mise en place groupée des tuyaux | Ⓛ Tube en PVC, O.D. \varnothing 38 mm, 1 - 1/2 pouces pour la mis en place groupée des tuyaux (isolant de 9 mm, 23/64 pouces ou plus) |
| Ⓐ Isolant (9 mm, 23/64 pouce ou plus) | Ⓜ Jusqu'à 85 cm, 33 - 7/16 pouces |
| Ⓑ Pente descendante (1% ou plus) | Ⓝ Soufflerie d'air |
| Ⓒ Support métallique | Ⓛ Soulevé |
| Ⓓ Tube en PVC, O.D. \varnothing 32 mm, 1 - 1/4 pouces | Ⓜ Trappe à odeurs |
| Ⓛ Passage aussi long que possible (environ 10 cm, 3 - 15/16 pouces) | |
| Ⓜ Appareil principal | |

1. Raccorder la prise d'écoulement (fourni avec l'appareil) au port de drainage. (Fig. 5-2) (Apposer le tube à l'aide de ruban adhésif en PVC puis le fixer avec une sangle.)
2. Installer un tuyau de drainage à se procurer sur place (tuyau en PVC, O.D. \varnothing 32 mm, 1 - 1/4 pouces). (Apposer le tuyau à l'aide de ruban adhésif en PVC puis le fixer avec une sangle.)
3. Vérifier si le drainage s'effectue normalement, de manière régulière.
4. Isoler l'orifice et la douille de vidange avec un matériau isolant, puis fixez l'isolant avec une sangle. (La matière isolante et la sangle sont toutes deux livrées avec l'appareil.)
5. Isoler le tube et le tuyau. (Tuyau en PVC, O.D. \varnothing 32 mm, 1 - 1/4 pouces)

- | | |
|--|--|
| Ⓐ Appareil principal | Ⓓ Matière isolante (à se procurer sur place) |
| Ⓑ Matière isolante | Ⓛ Tuyau en PVC transparent |
| Ⓒ Courroie (large) | Ⓜ Tuyau en PVC, O.D. \varnothing 32 mm, 1 - 1/4 pouces (Avec une pente minimum de 1/100) |
| Ⓓ Port de drainage (transparent) | Ⓝ Prise d'écoulement |
| Ⓛ Marge d'insertion | |
| Ⓜ Correspondance | |
| Ⓝ Tuyau de drainage (Tuyau en PVC, O.D. \varnothing 32 mm, 1 - 1/4 pouces) | |

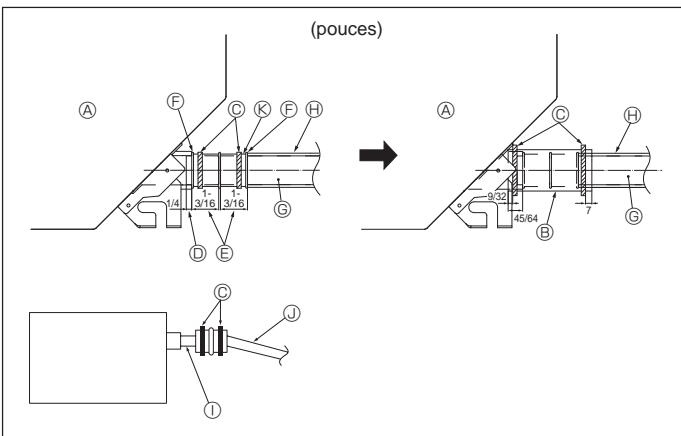


Fig. 5-2

6. Installations électriques

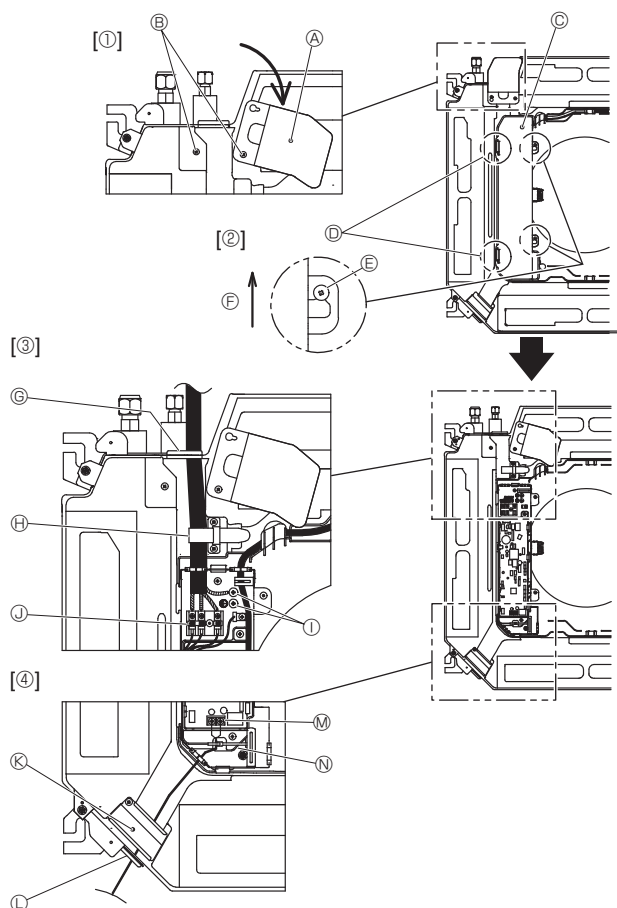


Fig. 6-1

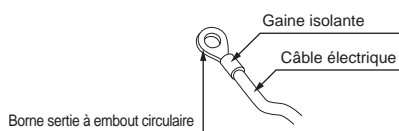


Fig. 6-2

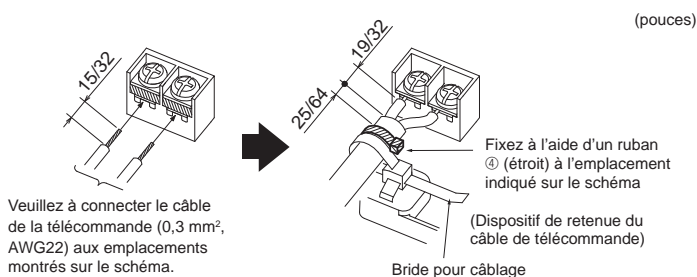


Fig. 6-3

<Lors du branchement de deux câbles de raccordement intérieur-extérieur>

- Si les câbles sont de même diamètre, insérez-les dans les découpes situées des deux côtés.
- Si les câbles sont de diamètre différent, insérez-les d'un seul côté dans des espaces séparés en plaçant un câble au-dessus de l'autre.

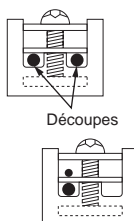


Fig. 6-5

6.1. Appareil intérieur (Fig. 6-1)

1. Desserrez les deux vis de fixation du panneau de service du câblage électrique et faites tourner le panneau. [Fig. 6-1 ①]
 2. Desserrez les deux vis de fixation du couvercle du boîtier électrique et faites glisser le couvercle. [Fig. 6-1 ②]
 3. Faites passer le câble d'alimentation, le câble de raccordement des appareils intérieur/extérieur et le câble de mise à la terre par les entrées de fils indiquées sur le diagramme. [Fig. 6-1 ③]
Placez la partie gainée du câble d'alimentation et du câble de raccordement des appareils intérieur/extérieur dans le boîtier électrique. Utilisez des bornes serties à embout rond pour le bornier de raccordement intérieur/extérieur et le kit du bornier d'alimentation en option. [Fig. 6-2]
Si l'utilisation de bornes serties à embout rond est impossible, suivez la procédure de la Fig. 6-4-6-6.
Reportez-vous à 6.1.1. pour le raccordement.
 4. Faites passer le câble de télécommande via les entrées de fils indiquées sur le diagramme et raccordez-le. [Fig. 6-1 ④, Fig. 6-3]
Reportez-vous à 6.1.1. pour le raccordement.
- Ne laissez pas les vis des borniers desserrées.

Couple de serrage des vis

	Couple de serrage (N·m, ft·lbs)
Bloc de sortie de télécommande	1,2 ± 0,1, 0,9 ± 0,1
Bloc de sortie de raccordement intérieur-extérieur	1,6 ± 0,1, 1,2 ± 0,1
Câble de mise à la terre	1,6 ± 0,1, 1,2 ± 0,1

- Réservez suffisamment de câble de façon à pouvoir suspendre le boîtier électrique sous l'appareil pendant l'entretien (environ 50 à 100 mm, 1 - 31/32 to 3 - 15/16 pouces).

- ① Panneau de service du câblage électrique
- ② Vis
- ③ Couvercle du boîtier électrique
- ④ Crochet provisoire du couvercle du boîtier électrique
- ⑤ Vis
- ⑥ Direction de glissement du couvercle du boîtier électrique
- ⑦ Entrée du câble d'alimentation et du câble de raccordement des appareils intérieur/extérieur
- ⑧ Fixer avec la bride pour câblage.
- ⑨ Câble de mise à la terre
- ⑩ Borne de raccordement de l'appareil intérieur/extérieur
- ⑪ Panneau de service du câblage électrique (télécommande)
- ⑫ Entrée du câble de télécommande filaire
- ⑬ Borne de la télécommande filaire
- ⑭ Fixer avec la bride pour câblage.

⚠ Attention :

- Le câble de la télécommande doit être maintenu à une certaine distance (au moins 50 mm, 2 pouces) du câble d'alimentation afin d'éviter les interférences dues au bruit électrique généré par le câble d'alimentation.

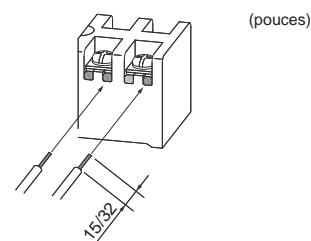


Fig. 6-4

- Pour ouvrir la rainure en U, appuyez sur la tête de la vis après avoir desserré cette dernière.

AVERTISSEMENT

- Il est interdit de raccorder deux câbles d'un même côté.
- Il est interdit de raccorder trois câbles ou plus à la même borne.

- Il est interdit de raccorder des câbles de diamètres différents.

Lorsqu'un seul câble est utilisé, l'utilisation d'une borne sertie à embout circulaire ou toute intervention sur les bornes sont interdites.

Fig. 6-6

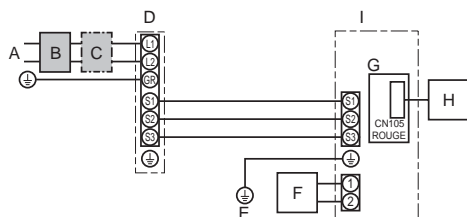
6. Installations électriques

6.1.1. Alimentation de l'appareil intérieur provenant de l'appareil extérieur

Les schémas de connexion suivants sont disponibles.

Les schémas d'alimentation de l'appareil extérieur varient selon les modèles.

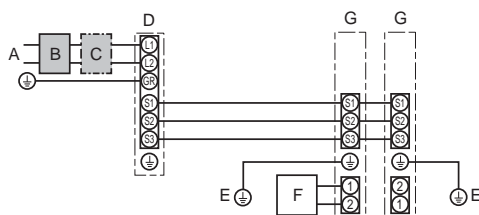
Systeme 1:1



- A Source d'alimentation de l'appareil extérieur
- B Disjoncteur de fuite à la terre
- C Coupe-circuit ou interrupteur d'isolement
- D Appareil extérieur
- E Cordons de raccordement de l'appareil intérieur/extérieur
- F Télécommande à fil
- G Panneau du contrôleur intérieur
- H Interface radiofréquence pour thermostat radiofréquence
- I Appareil intérieur

* Apposer une étiquette A fournie avec les manuels près de chaque schéma de câblage des appareils intérieur et extérieur.

Systeme double simultanée



Uniquement pour la télécommande à fil

- A Source d'alimentation de l'appareil extérieur
- B Disjoncteur de fuite à la terre
- C Coupe-circuit ou interrupteur d'isolement
- D Appareil extérieur
- E Cordons de raccordement de l'appareil intérieur/extérieur
- F Télécommande à fil
- G Appareil intérieur

* Apposer une étiquette A fournie avec les manuels près de chaque schéma de câblage des appareils intérieur et extérieur.

Remarque :

Certains appareils ne peuvent pas être utilisés dans un système à combinaisons double simultanées. Pour en savoir plus, consultez le manuel d'installation de l'appareil extérieur.

Modèle de l'appareil intérieur	PLA-A12EA7	PLA-A18EA7	PLA-A24EA7	PLA-A30EA7	PLA-A36EA7	PLA-A42EA7
Courant admissible minimum du circuit	1 A	1 A	1 A	1 A	2 A	2 A
Calibre maximum du dispositif de protection contre les surintensités	15 A					
Câblage No du câble x taille	Appareil intérieur-appareil extérieur *1		3 x AWG14 (polar)			
	Mise à la terre de l'appareil intérieur		1 x Min. AWG14			
Tension du circuit	Télécommande - Appareil intérieur *2		2 x AWG22 (Non polarisé, non blindé)			
	Appareil intérieur-appareil extérieur S1-S2 *3		208/230 V CA			
	Appareil intérieur-appareil extérieur S2-S3 *3		24 V CC			
	Télécommande à fil-Appareil intérieur *3		12 V CC			

*1. <Application de l'appareil extérieur 35-140>

45 m max., 148 pieds

En cas d'utilisation de AWG13 (2,5 mm²), 50 m max., 165 pieds

En cas d'utilisation de AWG13 (2,5 mm²) et S3 séparée, 80 m max., 263 pieds

<Application de l'appareil extérieur 200/250>

18 m max., 59 pieds

En cas d'utilisation de AWG13 (2,5 mm²), 30 m max., 99 pieds

En cas d'utilisation de AWG11 (4 mm²) et S3 séparée, 50 m max., 165 pieds

En cas d'utilisation de AWG9 (6 mm²) et S3 séparée, 80 m max., 263 pieds

*2. 500 m max., 1640 pieds

(Lorsque 2 télécommandes sont utilisées, la longueur maximale de câblage pour les câbles de télécommande est de 200 m, 656 pieds.)

*3. Les chiffres ne s'appliquent PAS toujours à la mise à la terre.

La borne S3 présente une différence de 24 V CC par rapport à la borne S2. Les bornes S3 et S1 ne sont pas isolées électriquement par le transformateur ou tout autre appareil.

Remarques : 1. La taille des fils doit être conforme aux réglementations nationales et locales pertinentes.

2. Le poids des câbles de connexion entre l'appareil intérieur et l'appareil extérieur doit être égal ou supérieur au poids de câbles flexibles à gaine polychloroprène (conception 60245 IEC 57).

3. Utilisez des fils électriques en cuivre.

4. Utilisez des fils d'une tension nominale de 300 V minimum pour les câbles d'alimentation et les câbles de raccordement des unités intérieure et extérieure.

5. Installer un câble de terre plus long que les autres câbles.

6. Les câbles de connexion des appareils intérieur et extérieur sont polarisés. Respectez les numéros de borne (S1, S2, S3) pour procéder à un raccordement correct.

7. Le câble de la télécommande doit être maintenu à une certaine distance (au moins 5 cm, 2 pouces) du câble d'alimentation afin d'éviter les interférences dues au bruit électrique généré par le câble d'alimentation.

⚠ Avertissement :

Ne jamais effectuer de jonction du câble d'alimentation ou du câble de raccordement intérieur-extérieur car cela peut entraîner une surchauffe, un incendie ou un raccordement défaillant.

6. Installations électriques

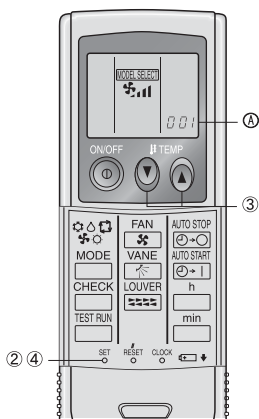


Fig. 6-7

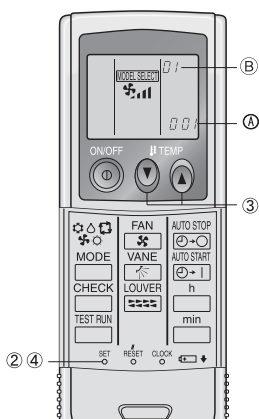


Fig. 6-8

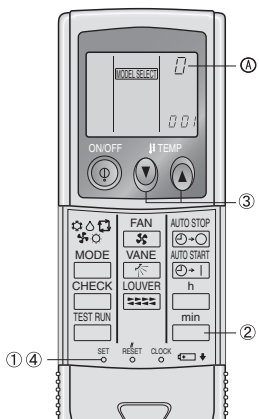


Fig. 6-9

6.2. Télécommande

Pour l'utilisation simultanée d'une télécommande câblée et d'une télécommande sans fil, utilisez la télécommande IR sans fil suivante.

6.2.1. Pour la télécommande à fil

1) Réglage de deux télécommandes à fil

Si deux télécommandes à fil sont connectées, régler la première sur "principal" et la seconde sur "auxiliaire". Pour prendre connaissance des procédures de configuration, consultez « Sélection des fonctions » dans le mode d'emploi de l'appareil intérieur.

Remarque :

Pour le raccordement de deux télécommandes câblées, veillez à utiliser le même modèle de télécommande.

6.2.2. Pour télécommande sans fil infrarouge

1) Programmation (Fig. 6-7)

- ① Introduire les piles.
- ② Appuyer sur le bouton SET à l'aide d'un objet pointu. **MODEL SELECT** clignote et le numéro du modèle est allumé.
- ③ Appuyer sur le bouton temp. **0 0 1** pour programmer le numéro du modèle. Si l'opération est erronée, appuyer sur la touche ON/OFF **0** et recommencer à partir du point ②.
- ④ Appuyer sur le bouton SET à l'aide d'un objet pointu. **MODEL SELECT** et le numéro du modèle s'allument pendant trois secondes puis s'éteignent.

Intérieur	Extérieur	Ⓐ No. modèle.
PLA	modèles de pompe à chaleur	001
	modèles à refroidissement uniquement	033

2) Réglage automatique de la vitesse du ventilateur (Pour télécommande sans fil infrarouge) (Fig. 6-8)

Il faut régler la télécommande sans fil infrarouge uniquement lorsque la vitesse du ventilateur n'est pas automatiquement réglée par défaut. Il n'est pas nécessaire de régler la vitesse automatique du ventilateur par défaut sur la télécommande à fil.

- ① Appuyer sur le bouton SET à l'aide d'un objet pointu. Intervenir lorsque l'affichage de la télécommande est éteint. **MODEL SELECT** clignote et le No de modèle est allumé Ⓐ.
- ② Appuyer sur la touche AUTO STOP **0-0** button. **0 0 1** clignote et le No de configuration est allumé Ⓑ. (Configuration No 01: sans vitesse automatique du ventilateur)
- ③ Appuyer sur les touches temp. **0 0 2** pour régler la configuration No 02. (Configuration No 02: avec vitesse automatique du ventilateur) Si l'opération est erronée, appuyer sur la touche ON/OFF **0** et recommencer à partir du point ②.
- ④ Appuyer sur le bouton SET à l'aide d'un objet pointu. **MODEL SELECT** et le No de modèle s'allume pendant 3 secondes, puis s'éteint.

3) Attribution d'une télécommande sans fil infrarouge à chaque appareil (Fig. 6-9)

Seule la télécommande sans fil infrarouge attribuée à un appareil peut contrôler cet appareil. Vous assurer d'attribuer à chaque paire de télécommande sans fil infrarouge et de plaque de circuit imprimé d'un appareil intérieur le même numéro de paire.

4) Réglage du numéro de paire de télécommande sans fil infrarouge (Fig. 6-9)

- ① Appuyer sur le bouton SET à l'aide d'un objet pointu. Cette opération s'effectue quand l'affichage de la télécommande sans fil infrarouge est éteint. **MODEL SELECT** clignote et le numéro du modèle s'allume.
- ② Appuyer deux fois sans relâcher sur le bouton **min**. Le numéro « 0 » clignote.
- ③ Appuyer sur le bouton temp. **0 0 1** pour attribuer le numéro de paires de votre choix. Si l'opération est erronée, appuyer sur la touche ON/OFF **0** et recommencer à partir du point 2.
- ④ Appuyer sur le bouton SET à l'aide d'un objet pointu. Le numéro de paires attribué s'allume pendant trois secondes puis s'éteint.

Ⓐ Numéro de pair de la télécommande sans fil infrarouge	Carte à circuit imprimé intérieure
0	Réglage d'usine
1	Couper J41
2	Couper J42
3-9	Couper J41, J42

6. Installations électriques

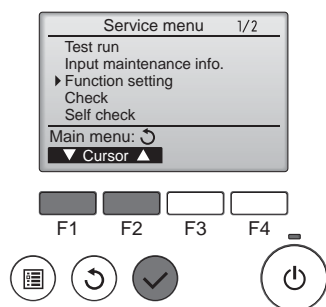


Fig. 6-10

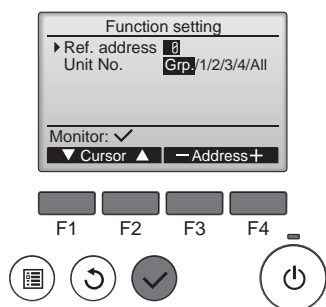


Fig. 6-11

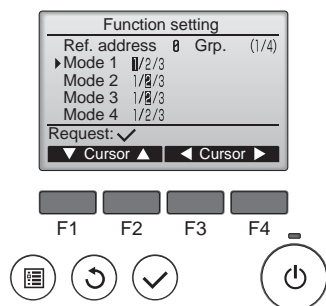


Fig. 6-12

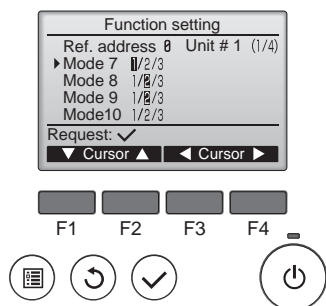


Fig. 6-13

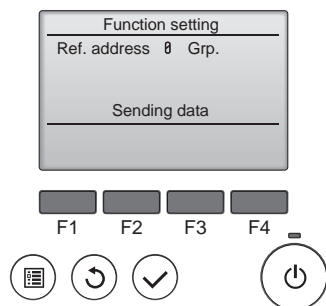


Fig. 6-14

6.3. Réglage des fonctions

6.3.1. À l'aide de la télécommande filaire

- ① (Fig. 6-10)
 - Sélectionnez "Service" dans le menu général puis appuyez sur la touche [CHOIX].
 - Sélectionnez "Function settings" (Réglage des fonctions) à l'aide du bouton [F1] ou [F2] puis appuyez sur le bouton [CHOIX].

- ② (Fig. 6-11)
 - Réglez les adresses de réfrigérant des unités intérieures et le nombre d'unités à l'aide des boutons [F1] à [F4], puis appuyez sur le bouton [CHOIX] pour valider le réglage actuel.

<Contrôle du No. Unité intérieure>
 Une pression sur le bouton [CHOIX] démarre le ventilateur de l'unité intérieure. Si l'unité est commune, ou lorsque toutes les unités tournent, les ventilateurs de toutes les unités intérieures correspondant à l'adresse de réfrigérant démarrent.

- ③ (Fig. 6-12)
 - Une fois la collecte de données terminée depuis les unités intérieures, les réglages actuels apparaissent en surbrillance. Les éléments qui ne sont pas en surbrillance indiquent qu'aucune fonction n'est réglée. L'aspect de l'écran varie en fonction du réglage "N° unité".

- ④ (Fig. 6-13)
 - Utilisez le bouton [F1] ou [F2] pour déplacer le curseur pour sélectionner la valeur du mode, puis modifiez-le à l'aide du bouton [F3] ou [F4].

- ⑤ (Fig. 6-14)
 - Une fois les réglages terminés, appuyez sur le bouton [CHOIX] pour transmettre les données de réglage du contrôleur à distance aux unités intérieures.
 - Une fois la transmission terminée, l'écran Réglage des fonctions réapparaît.

6.3.2. À l'aide de la télécommande sans fil infrarouge (Fig. 6-15)

Réglage de la tension d'alimentation

- Bien modifier le réglage de la tension en fonction de la tension utilisée.

- ① Accéder au mode de sélection des fonctions

Appuyer sur le bouton deux fois sans le relâcher. (Commencer cette opération avec l'affichage de la télécommande sans fil infrarouge désactivé.) [CHECK] est allumé est « 00 » clignote.

Appuyer une fois sur le bouton temp pour sélectionner le chiffre « 50 ».

Pointer la télécommande sans fil infrarouge vers le récepteur de l'appareil intérieur, puis appuyer sur le bouton .

- ② Réglage du numéro de l'appareil

Appuyer sur le bouton temp et pour attribuer le numéro « 00 » à l'appareil. Pointer la télécommande sans fil infrarouge vers le récepteur de l'appareil intérieur, puis appuyer sur le bouton .

- ③ Sélection d'un mode

Entrer 04 pour modifier le réglage de tension d'alimentation à l'aide des touches temp. et . Pointer la télécommande sans fil infrarouge vers le récepteur de l'appareil intérieur, puis appuyer sur le bouton .

Numéro de réglage actuel:
 1 = 1 bip (une seconde)
 2 = 2 bips (d'une seconde chacun)
 3 = 3 bips (d'une seconde chacun)

- ④ Sélection du numéro de réglage

Utiliser les touches temp. et pour régler le réglage de tension d'alimentation sur 01 (240 V). Pointer la télécommande sans fil infrarouge vers le capteur de l'appareil intérieur, puis appuyer sur le bouton .

- ⑤ Sélection de plusieurs fonctions de manière continue

Répéter les opérations ③ et ④ pour modifier les réglages de plusieurs fonctions de manière continue.

- ⑥ Fin de la sélection de fonction

Pointer la télécommande sans fil infrarouge vers le capteur de l'appareil intérieur, puis appuyer sur le bouton .

Remarque:

En cas de modification des paramètres des fonctions après installation ou maintenance, veiller à indiquer les modifications par un repère dans la colonne « Réglage » du tableau des fonctions.

6.3.3. Réglage des fonctions sur la commande à distance

Se reporter au mode d'emploi approprié fourni avec chaque télécommande.

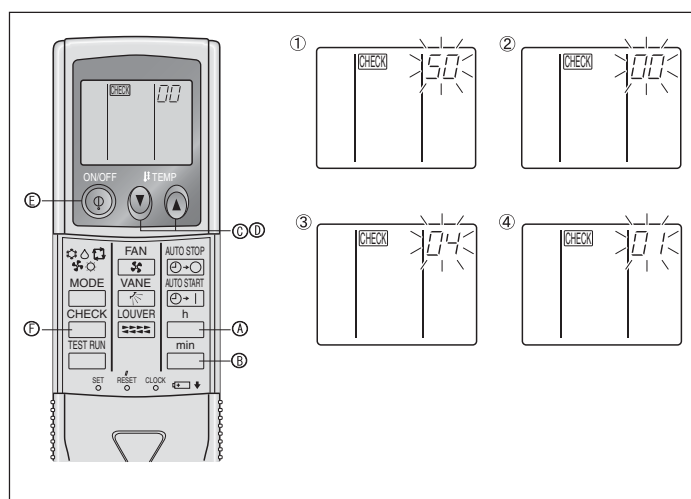


Fig. 6-15

6. Installations électriques

Tableau des fonctions (Tableau 1)

Sélectionner l'appareil numéro 00

Betriebsart	Paramètre	No. de Mode	No. de réglage	Réglage initial	Réglage
Restauration automatique après une coupure de courant	Non disponible	01	1		
	Disponible *1		2	O *2	
Détection de la température intérieure	Moyenne de fonctionnement de l'appareil intérieur	02	1	O	
	Réglée par la télécommande de l'appareil intérieur		2		
	Détecteur interne de la télécommande		3		
Connectivité LOSSNAY	Non supportée	03	1	O	
	Supportée (l'appareil intérieur n'est pas équipé d'une prise d'air extérieure)		2		
	Supportée (l'appareil intérieur est équipé d'une prise d'air extérieure)		3		
Tension d'alimentation	230 V	04	1	O	
	208 V		2		

Sélectionner les appareils numéro 01 à 03 ou tous les appareils (AL [télécommande avec fil] / 07 [télécommande sans fil])

Betriebsart	Paramètre	No. de Mode	No. de réglage	Réglage initial	Réglage
Signe du filtre	100 heures	07	1		
	2500 heures		2	O	
	Pas d'indicateur de signe du filtre		3		
Vitesse du ventilateur	Silencieux (plafond bas)	08	1		
	Standard		2	O	
	Plafond haut		3		
No. de sorties d'air	4 directions	09	1	O	
	3 directions		2		
	2 directions		3		
Options installées (filtre à haute efficacité)	Non supporté	10	1	O	
	Supporté		2		
Réglage haut/bas des volets	Réglage vers le bas (Réglage de l'angle des ailettes ③)	11	1		
	Installation médiane (Réglage de l'angle des ailettes ①)		2	O	
	Réglage sans courant d'air (Réglage de l'angle des ailettes ②) *4		3		
Positionnement du capteur 3D i-see	Position ①	12 *3	1		
	Position ②		2		
	Position ③ (Par défaut)		3	O	
Réglage de la hauteur du plafond du capteur 3D i-see (lors de l'installation du panneau du capteur 3D i-see)	Plafond bas (hauteur de plafond : inférieure à 2,7 m, 8,9 pieds)	26	1		
	Standard (hauteur de plafond : 2,7 à 3,5 m, 8,9 - 11,5 pieds)		2	O	
	Plafond élevé (hauteur de plafond : 3,5 à 4,5 m, 11,5 - 14,8 pieds)		3		
Vitesse du ventilateur lorsque le thermostat de chauffage est coupé (OFF)	Réglage de la vitesse du ventilateur	27	1	O	
	Arrêt		2		
	Très basse		3		

*1 Lorsque l'alimentation électrique est rétablie, le climatiseur se met en marche après 3 minutes ou 1 minute (charnière sur appareil extérieur).

*2 La configuration initiale de la restauration automatique en cas de coupure d'électricité dépend du branchement de l'appareil extérieur.

*3 Lorsque la position du panneau d'angle du capteur 3D i-see est modifiée, changez ce mode. Voir page 34.

*4 En raison du risque de condensation, n'utilisez pas ce réglage dans un environnement très chaud et très humide.

7. Marche d'essai

7.1. Avant la marche d'essai

- ▶ Lorsque l'installation, le tuyautage et le câblage des appareils intérieur et extérieur sont terminés, vérifier l'absence de fuites de réfrigérant, la fixation des câbles d'alimentation et de commande, l'absence d'erreur de polarité et contrôler qu'aucune phase de l'alimentation n'est déconnectée.
- ▶ Utiliser un mégohm-mètre de 500V pour s'assurer que la résistance entre les terminaux d'alimentation électrique et la terre soit au moins de 1,0 MΩ.

- ▶ Ne pas effectuer ce test sur les terminaux des câbles de contrôle (circuit à basse tension).

⚠ Avertissement:

- Ne pas utiliser le climatiseur si la résistance de l'isolation est inférieure à 1,0 MΩ.

7.2. Marche d'essai

7.2.1. Utilisation de la télécommande filaire

- Lisez attentivement le manuel d'utilisation avant le test fonctions. (En particulier les rubriques relatives à la sécurité)

Étape 1 Mettez sous tension.

- Télécommande: le système se met en mode de démarrage et le témoin d'alimentation de la télécommande (vert) et le message "PLEASE WAIT" (Veuillez patienter) clignotent. Tant que la lampe et le message clignotent, la télécommande ne peut pas être utilisée. Attendez que le message "PLEASE WAIT" (Veuillez patienter) ne soit plus affiché avant d'utiliser la télécommande. Après la mise sous tension, le message "PLEASE WAIT" (Veuillez patienter) s'affiche pendant environ 2 minutes.
 - Panneau du contrôleur intérieur: LED 1 est allumé, LED 2 est allumé (si l'adresse est 0) ou éteint (si l'adresse n'est pas 0), et LED 3 clignote.
 - Panneau du contrôleur extérieur: LED 1 (vert) et LED 2 (rouge) sont allumés. (Une fois le démarrage du système terminé, LED 2 s'éteint.) Si le panneau du contrôleur extérieur dispose d'un affichage numérique, [-] et [-] s'affichent alternativement, à intervalle d'une seconde.
- Si le système ne fonctionne pas correctement après exécution des procédures de l'étape 2 et suivantes, les causes suivantes doivent être recherchées et corrigées le cas échéant.
(Les symptômes ci-dessous se produisent en mode de test fonctions. "Startup" (Démarrage) dans le tableau se réfère à l'affichage LED mentionné plus haut.)

Symptômes en mode de test fonctions		Cause
Affichage de la télécommande	Affichage LED PANNEAU EXTERIEUR < > indique affichage numérique.	
La télécommande affiche "PLEASE WAIT" (Veuillez patienter) et est inutilisable.	Après affichage de "startup" (démarrage), seul le témoin vert s'allume. <00>	• Après mise sous tension, "PLEASE WAIT" (Veuillez patienter) est affiché pendant 2 minutes pendant le démarrage du système. (Normal)
Après mise sous tension, "PLEASE WAIT" (Veuillez patienter) est affiché pendant 3 minutes puis un code d'erreur s'affiche.	Après affichage de "startup" (démarrage), les témoins vert (une fois) et rouge (une fois) clignotent en alternance. <F1>	• Mauvaise connexion du bloc de sorties extérieur (R, S, T et S ₁ , S ₂ , S ₃ .)
	Après affichage de "startup" (démarrage), les témoins vert (deux fois) et rouge (deux fois) clignotent en alternance. <F3, F5, F9>	• Le connecteur du dispositif de protection de l'appareil extérieur est ouvert.
Rien ne s'affiche même lorsque la télécommande est activée. (Le témoin de fonctionnement ne s'allume pas.)	Après affichage de "startup" (démarrage), les témoins vert (deux fois) et rouge (une fois) clignotent en alternance. <EA, Eb>	• Câblage Incorrect entre l'appareil intérieur et l'appareil extérieur (mauvaise polarité pour S ₁ , S ₂ , S ₃) • Court-circuit du fil de transmission de la télécommande.
	Après affichage de "startup" (démarrage), seul le témoin vert s'allume. <00>	• Il n'y a pas d'appareil extérieur dont l'adresse est 0. (L'adresse est autre que 0.) • Circuit du fil de transmission de la télécommande ouvert.
L'affichage apparaît mais s'efface rapidement même lorsque la télécommande est utilisée.	Après affichage de "startup" (démarrage), seul le témoin vert s'allume. <00>	• Après utilisation de la fonction d'annulation, toute utilisation est impossible pendant environ 30 secondes. (Normal)

Étape 2 Placez la télécommande sur "Test run" (Test fonctions).

- ① Dans le Menu SAV, sélectionnez "Test run" (Test fonctions) puis appuyez sur la touche [CHOIX]. (Fig. 7-1)
- ② Dans le Menu test de fonctionnement, sélectionnez "Test run" (Test fonctions) puis appuyez sur la touche [CHOIX]. (Fig. 7-2)
- ③ Le test fonctions démarre et l'écran Test fonctions s'affiche.

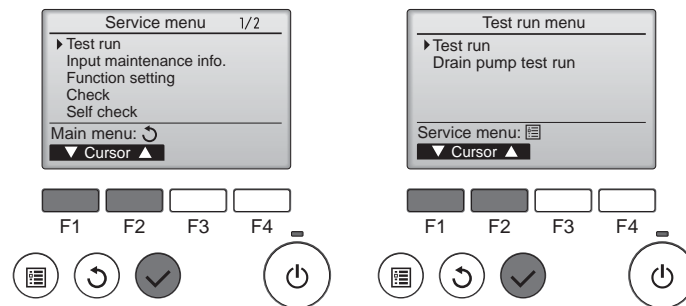


Fig. 7-1

Fig. 7-2

Étape 3 Effectuez le test fonctions et vérifiez la température du courant d'air et le volet automatique.

- ① Appuyez sur la touche [F1] pour changer de mode de fonctionnement. (Fig. 7-3)
Mode de refroidissement: vérifiez si la soufflerie souffle de l'air froid.
Mode de chauffage: vérifiez si la soufflerie souffle de l'air chaud.
- ② Appuyez sur la touche [CHOIX] pour afficher l'écran de fonctionnement du volet puis appuyez sur les touches [F1] et [F2] pour contrôler le volet automatique. (Fig. 7-4)
Appuyez sur la touche [RETOUR] pour revenir à l'écran Test fonctions.

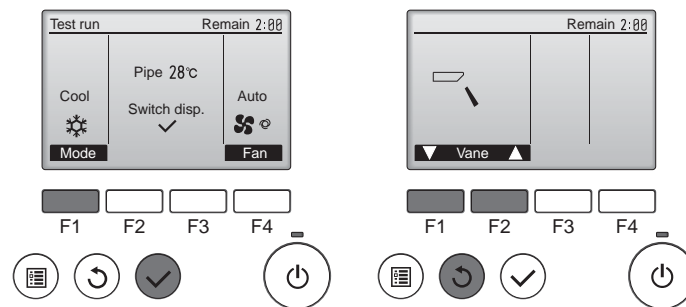


Fig. 7-3

Fig. 7-4

7. Marche d'essai

Étape 4 Vérifiez le fonctionnement du ventilateur de l'appareil extérieur.

La vitesse du ventilateur de l'appareil extérieur est commandée de manière à contrôler les performances de l'appareil. En fonction de la température de l'air ambiant, le ventilateur tournera à faible vitesse et continuera à tourner à cette vitesse à moins que les performances ne soient insuffisantes. Par conséquent, le vent extérieur peut provoquer l'arrêt du ventilateur, ou sa rotation en sens inverse, mais ceci ne constitue pas un problème.

Étape 5 Arrêtez le test fonctions.

① Appuyez sur la touche [MARCHE/ARRÊT] pour arrêter le test fonctions. (Le Menu test de fonctionnement s'affiche.)

Remarque: si une erreur s'affiche sur la télécommande, voir le tableau ci-dessous.

LCD	Description du dysfonctionnement	LCD	Description du dysfonctionnement	LCD	Description du dysfonctionnement
P1	Erreur du capteur d'admission	P9	Erreur du capteur sur tuyaux (tuyau à paroi double)	E0 – E5	Erreur de communication entre la télécommande et l'appareil intérieur
P2	Erreur du capteur sur tuyaux (tuyau de liquide)	PA	Erreur de fuite (système de réfrigérant)		
P4	Connecteur de l'interrupteur à flotteur d'écoulement déconnecté (CN4F)	PB (Pb)	Erreur du moteur de l'appareil intérieur		
P5	Sécurité d'écoulement et de trop-plein activée	PL	Circuit de réfrigérant anormal	E6 – EF	Erreur de communication entre l'appareil intérieur et l'appareil extérieur
P6	Protection contre le gel/la surchauffe activée	FB	Erreur du panneau du contrôleur intérieur		
P8	Erreur de température des tuyaux	U*, F* (* représente un caractère alphanumérique sauf FB.)	Dysfonctionnement de l'appareil extérieur. Référez-vous au diagramme de câblage de l'appareil extérieur.		

Voir le tableau ci-dessous pour les détails de l'affichage LED (LED 1, 2 et 3) du panneau du contrôleur intérieur.

LED1 (alimentation du micro-ordinateur)	Indique si l'alimentation est fournie au contrôleur. Ce témoin doit toujours être allumé.
LED2 (alimentation de la télécommande)	Indique si l'alimentation est fournie à la télécommande filaire. Ce témoin s'allume uniquement pour l'appareil intérieur raccordé à l'appareil extérieur dont l'adresse est 0.
LED3 (communication entre les appareils intérieur et extérieur)	Indique si les appareils intérieur et extérieur communiquent. Ce témoin doit toujours clignoter.

Remarque :

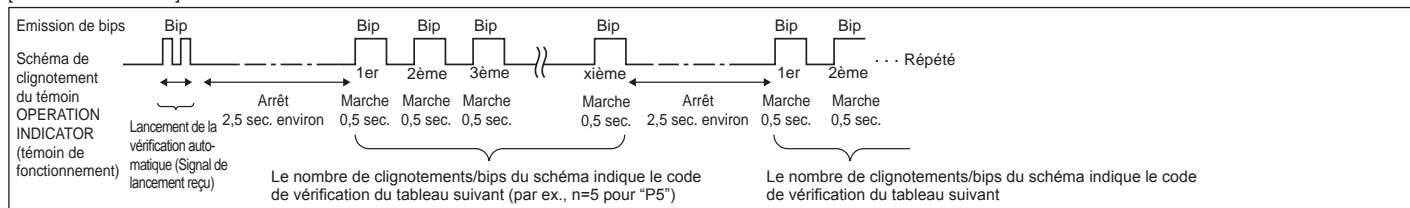
Si l'appareil fonctionne de manière continue pendant une marche d'essai, il s'arrête après 2 heures.

7.3. Auto-vérification

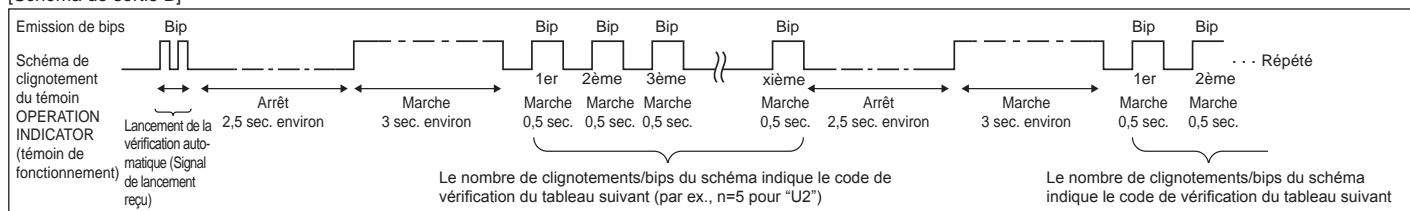
■ Pour en savoir plus, consultez le manuel d'installation fourni avec chaque télécommande.

• Consultez les tableaux suivants pour obtenir de plus amples informations sur les codes de vérification. (Télécommande sans fil)

[Schéma de sortie A]



[Schéma de sortie B]



7. Marche d'essai

[Schéma de sortie A] Erreurs détectées par l'appareil intérieur

Télécommande sans fil	Télécommande filaire	Symptôme	Remarque
Emission de bips/clignotements du témoin OPERATION INDICATOR (Nombre de fois)	Code de vérification		
1	P1	Erreur du capteur d'admission	
2	P2	Erreur du capteur sur tuyaux (TH2)	
	P9	Erreur du capteur sur tuyaux (TH5)	
3	E6, E7	Erreur de communication de l'appareil intérieur/extérieur	
4	P4	Erreur du capteur d'écoulement / Connecteur de l'interrupteur à flotteur ouvert	
5	P5	Erreur de la pompe d'écoulement	
	PA	Erreur du compresseur à circulation forcée	
6	P6	Fonctionnement du dispositif de protection en cas de gel/surchauffe	
7	EE	Erreur de communication entre les appareils intérieur et extérieur	
8	P8	Erreur de température des tuyaux	
9	E4	Erreur de réception du signal de la télécommande	
10	—	—	
11	PB (Pb)	Erreur du moteur de l'appareil intérieur	
12	FB (Fb)	Erreur du système de contrôle de l'appareil intérieur (erreur de mémoire, etc.)	
14	PL	Circuit de réfrigérant anormal	
Aucun son	E0, E3	Erreur de transmission de la télécommande	
Aucun son	E1, E2	Erreur du panneau du contrôleur de la télécommande	
Aucun son	— — — —	Aucun	

[Schéma de sortie B] Erreurs détectées par un appareil autre que l'appareil intérieur (appareil extérieur, etc.)

Télécommande sans fil	Télécommande filaire	Symptôme	Remarque
Emission de bips/clignotements du témoin OPERATION INDICATOR (Nombre de fois)	Code de vérification		
1	E9	Erreur de communication de l'appareil intérieur/extérieur (Erreur de transmission) (Appareil extérieur)	Pour de plus amples informations, contrôlez l'écran LED du panneau du contrôleur extérieur.
2	UP	Interruption due à la surintensité du compresseur	
3	U3, U4	Circuit ouvert/court-circuit des thermistances de l'appareil extérieur	
4	UF	Interruption due à la surintensité du compresseur (Quand compresseur verrouillé)	
5	U2	Température de décharge anormalement élevée/fonctionnement de 49C/réfrigérant insuffisant	
6	U1, Ud	Pression anormalement élevée (Fonctionnement de 63H)/Fonctionnement du dispositif de protection en cas de surchauffe	
7	U5	Température anormale de la source de froid	
8	U8	Arrêt du dispositif de protection du ventilateur de l'appareil extérieur	
9	U6	Interruption due à la surintensité du compresseur/Module d'alimentation anormal	
10	U7	Surchauffe anormale due à une température de décharge basse	
11	U9, UH	Anomalies telles que surtension ou sous-tension et signal synchronisé anormal vers le circuit principal/Erreur du capteur d'intensité	
12	—	—	
13	—	—	
14	Autres	Autres erreurs (Consultez le manuel technique de l'appareil extérieur.)	

*1 Si l'émetteur de bips ne sonne plus suite aux deux bips initiaux pour confirmer que le signal de lancement de la vérification automatique a été reçu et si le témoin OPERATION INDICATOR (témoin de fonctionnement) ne s'allume pas, ceci signifie qu'aucune erreur n'a été enregistrée.

*2 Si l'émetteur de bips sonne trois fois de suite "bip, bip, bip (0,4 + 0,4 + 0,4 sec.)", après les deux bips initiaux pour confirmer que le signal de lancement de la vérification automatique a été reçu, ceci signifie que l'adresse du réfrigérant spécifié est incorrecte.

- Sur la télécommande sans fil
La sonnerie continue est déclenchée dans la section de réception de l'appareil intérieur.
Clignotement du témoin de fonctionnement
- Sur la télécommande filaire
Code de vérification affiché à l'écran LCD.

7. Marche d'essai

- Si vous ne parvenez pas à faire fonctionner l'appareil correctement après avoir mené à bien le test d'essai indiqué ci-dessus, consulter le tableau suivant pour en trouver la cause éventuelle.

Symptôme		Cause	
Télécommande filaire	Témoin 1, 2 (circuit de l'appareil extérieur)		
PLEASE WAIT	Pendant environ 2 minutes après la mise sous tension.	LED 1 et 2 sont allumés, LED 2 s'éteint, puis seul LED 1 reste allumé (Fonctionnement correct).	• Pendant environ deux minutes après la mise sous tension, il n'est pas possible d'utiliser la télécommande à cause du démarrage du système (Fonctionnement correct).
PLEASE WAIT → Code d'erreur	Après un délai d'environ deux minutes suivant la mise sous tension.	Seul LED 1 est allumé. → LED 1 et 2 clignotent.	• Le connecteur pour le dispositif de protection de l'appareil extérieur n'est pas raccordé. • Câblage inversé ou en phase ouverte pour le bloc d'alimentation de l'appareil extérieur (L1, L2, L3)
Aucun message n'est affiché même lorsque l'interrupteur de fonctionnement est sur ON (le témoin de fonctionnement ne s'allume pas).		Seul LED 1 est allumé. → LED 1 clignote deux fois, LED 2 clignote une fois.	• Câblage incorrect entre les appareils intérieur et extérieur (polarité incorrecte de S1, S2, S3) • Court-circuit de la télécommande

Sur la télécommande sans fil, avec les problèmes susmentionnés, il se passe ce qui suit :

- Aucun signal de la télécommande n'est accepté.
- Le témoin OPERATION clignote.
- La sonnerie émet un son court et aigu.

Remarque :

Son utilisation n'est pas possible pendant 30 secondes après l'annulation de la sélection de fonction (Fonctionnement correct).

Pour consulter la description de chaque LED (LED1, 2, 3) fournie sur le panneau du contrôleur intérieur, voir page 30.

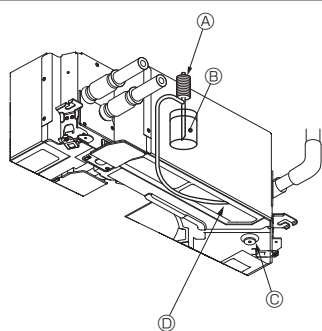


Fig. 7-5

7.4. Vérification de l'écoulement (Fig. 7-5)

- S'assurer de l'écoulement correct de l'eau et de la bonne étanchéité des joints.

Une fois l'installation électrique terminée.

- Verser de l'eau pendant le fonctionnement en mode de refroidissement de la marche d'essai (voir 7.2.) et vérifier.

Si l'installation électrique n'est pas terminée.

- Verser de l'eau pendant le fonctionnement en urgence et vérifier.
- * Le bac de récupération et le ventilateur sont activés simultanément lorsque les bornes S1 et S2 sont activées avec un courant monophasé de 220-240 V après le réglage sur ON du connecteur (SWE) sur la carte de commande du boîtier électrique.

Veiller à rétablir l'état précédent à la fin des travaux.

8. Contrôle du système

Consulter le manuel d'installation de l'appareil extérieur.

9. Installer la grille

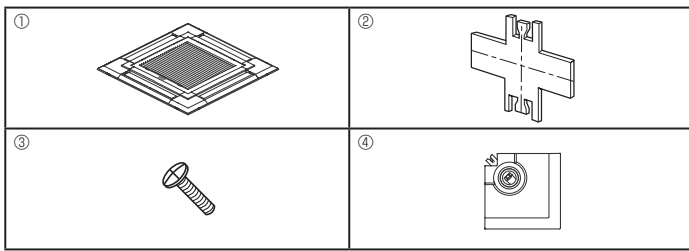


Fig. 9-1

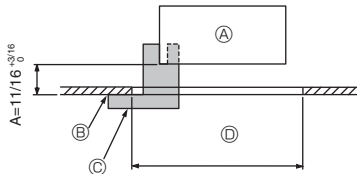


Fig. 9-2

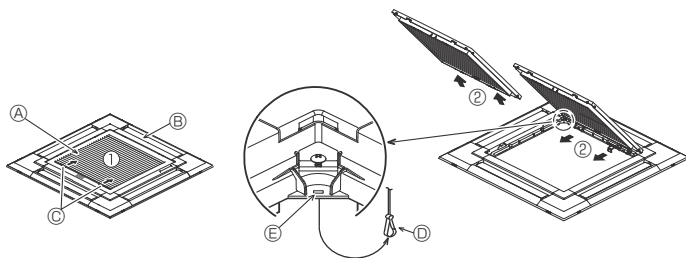


Fig. 9-3

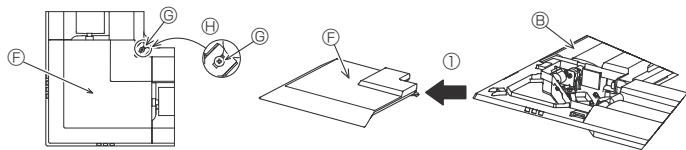


Fig. 9-4

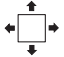
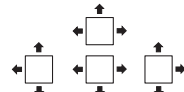
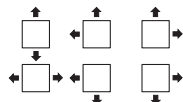
	4 directions	3 directions
Systèmes de direction de la soufflerie 1 système: réglage d'usine 	4 systèmes: une sortie d'air entièrement fermée 	
Systèmes de direction de la soufflerie 6 systèmes: deux sorties d'air entièrement fermées 		

Table 1

<Crochet en position relevée>

<Crochet en position abaissée>

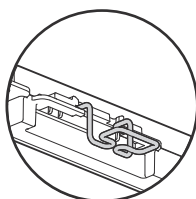
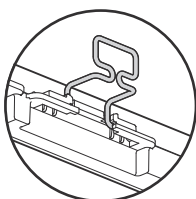


Fig. 9-5

9.1. Vérification du contenu (Fig. 9-1)

- Ce kit contient ce manuel et les pièces suivantes.

	Nom de l'accessoire	Qté	Observations
①	Grille	1	950 × 950 (mm), 37-3/8 × 37-3/8 (pouces)
②	Schéma d'installation	1	(divisé en 4 parties)
③	Vis (4 × 16)	1	pour PLP-40EAU, PLP-40EAEU
④	Panneau en coin i-see sensor	1	pour PLP-40EAEU

9.2. Préparation avant d'attacher la grille (Fig. 9-2)

- À l'aide de la jauge ② fournie avec ce kit, ajustez et vérifiez la position de l'appareil principal par rapport au plafond. Si l'appareil principal n'est pas correctement positionné par rapport au plafond, des fuites d'air peuvent se produire et provoquer un phénomène de condensation.
- Vous assurer que l'ouverture dans le plafond se trouve dans les tolérances suivantes: 860 × 860 - 910 × 910 mm, 33-7/8 × 33-7/8 à 35-13/16 × 35-13/16 pouces
- S'assurer que le point A s'effectue dans une fourchette allant de 17 à 22 mm, 11/16 à 7/8 pouces. Le non respect de cette marge pourrait être à l'origine de certains dégâts.
 - Ⓐ Appareil principal
 - Ⓑ Surface du plafond
 - Ⓒ Schéma d'installation ② (inséré dans l'appareil principal)
 - Ⓓ Dimensions de l'ouverture dans le plafond

9.2.1. Retrait de la grille d'admission (Fig. 9-3)

- Pour ouvrir la grille d'admission, faire glisser les leviers dans le sens indiqué par la flèche ①.
- Défaire le crochet qui sert à fixer la grille.
 - * Ne pas décrocher le crochet de la grille d'admission.
- Lorsque la grille se trouve en position "ouverte", retirer la charnière de la grille d'admission comme indiqué par la flèche ②.

9.2.2. Retrait du panneau en coin (Fig. 9-4)

- Dévissez les 4 vis de coin. Pour retirer le panneau, faites-le glisser dans le sens indiqué par la flèche ①.

[Fig.9-3] [Fig.9-4]

- Ⓐ Grille d'admission
- Ⓑ Grille ①
- Ⓒ Leviers de la grille d'admission
- Ⓓ Crochet de la grille
- Ⓔ Orifice pour le crochet de la grille
- Ⓕ Panneau en coin
- Ⓖ Vis
- Ⓗ Détail

9.3. Sélection des sorties d'air

Pour cette grille, le sens d'expulsion de l'air peut être réglé de onze manières différentes. De plus, en réglant la télécommande sur les programmes appropriés, il est possible d'ajuster le flux d'air et la vitesse. Sélectionner les réglages nécessaires dans le Table 1 en fonction de l'endroit où vous souhaitez installer l'appareil. (Plus de deux directions doivent être sélectionnées.)

- Décider du sens d'expulsion.
- Veillez à régler correctement la télécommande en fonction du nombre de sorties d'air et de la hauteur du plafond au niveau duquel l'appareil sera installé. (Voir page 28.)

Remarques :

- Pour modifier le nombre de directions, un volet obturateur de sortie d'air en option est nécessaire.
- Ne sélectionnez pas 2 directions dans un environnement chaud et humide. (Des gouttes de condensation se formeraient.)

9.4. Installer la grille

9.4.1. Préparatifs (Fig. 9-5)

Veillez à ouvrir 2 crochets de la grille en les relevant.

9. Installer la grille

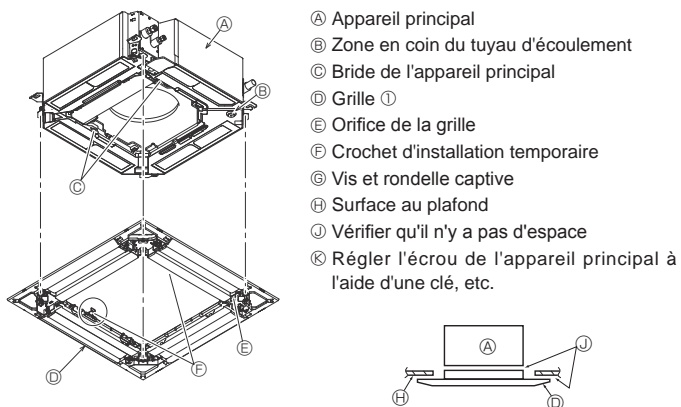


Fig. 9-6

< Grille installée provisoirement >

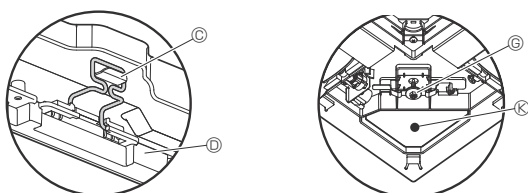


Fig. 9-7

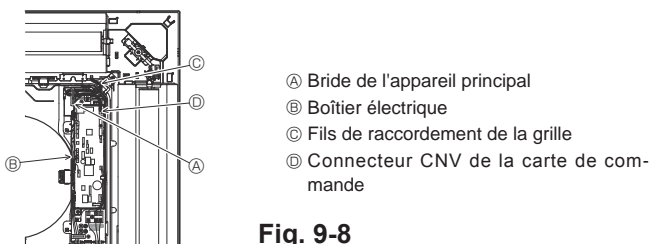


Fig. 9-8

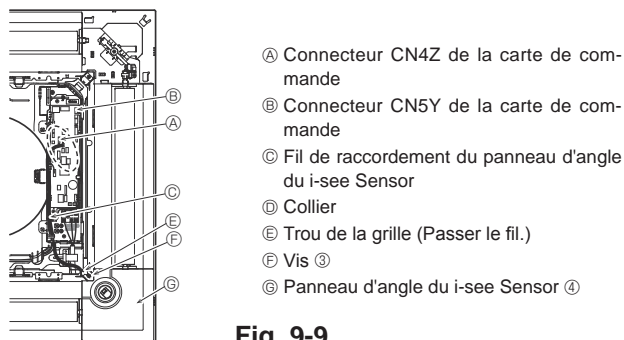


Fig. 9-9

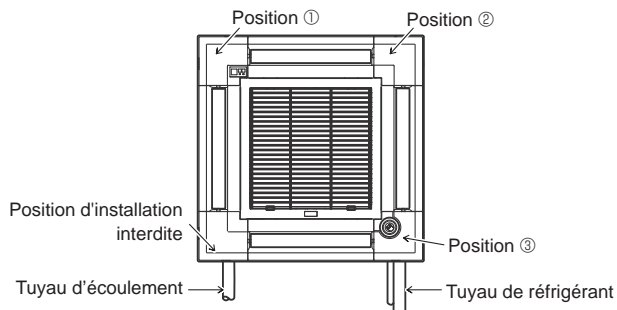


Fig. 9-10

9.4.2. Mise en place provisoire de la grille (Fig. 9-6)

- Positionnez la zone en coin du tuyau d'écoulement de l'appareil principal sur le coin de la grille présentant un orifice et fixez-les provisoirement en plaçant le crochet de la grille sur la bride de l'appareil principal.

9.4.3. Fixation de la grille

- Fixez la grille sur l'appareil principal en serrant les vis mises en place au préalable. (Fig. 9-6)

Remarque :

Vérifiez qu'il n'y a pas d'espace entre l'appareil principal et la grille ou entre la grille et la surface du plafond. (Fig. 9-7)

En présence d'un espace entre la grille et le plafond :

Lorsque la grille est en place, réglez légèrement la hauteur de l'appareil principal pour supprimer tout espace vide.

⚠ Attention :

- Veillez à utiliser un couple de 2,8 N•m à 3,6 N•m, 2,1 à 2,6 pieds-lb pour serrer la vis. N'utilisez jamais un tournevis à frapper.
- Après avoir serré la vis, vérifiez que les deux crochets de la grille (Fig. 9-6) sont en prise avec les crochets de l'appareil principal.

9.4.4. Raccordement des câbles (Fig. 9-8)

- Desserrez les 2 vis de fixation du couvercle du boîtier électrique de l'appareil principal et ouvrez le couvercle.
- Acheminez le fil de raccordement depuis le côté du boîtier électrique.
- Veillez à raccorder le connecteur du moteur des ailettes (blanc, 20 pôles) au connecteur CNV (blanc) de la carte de commande de l'appareil principal.
- Les fils de sortie de la grille doivent être tendus et attachés ensemble à l'aide d'un collier sur le boîtier électrique.

9.4.5. Installation du panneau d'angle du i-see Sensor (Fig. 9-9)

- Acheminez le fil de raccordement depuis le côté du boîtier électrique.
- Acheminez le connecteur du fil de raccordement (blanc à 4 pôles et blanc à 5 pôles) du panneau d'angle du i-see Sensor depuis le côté du boîtier électrique de l'appareil principal et raccordez-le aux connecteurs CN4Z et CN5Y de la carte de commande.
- Les fils de raccordement restants du panneau d'angle du i-see Sensor doivent être tendus et attachés ensemble à l'aide d'un collier sur le boîtier électrique.
- Remplacez le couvercle sur le boîtier électrique à l'aide de 2 vis.
- Remarque :
Veillez à ne pas coincer les fils dans le couvercle du boîtier électrique.
- Le panneau d'angle du i-see Sensor doit être fixé sur la grille à l'aide de la vis.
- * Si la position du i-see Sensor est passée de la position par défaut (Position 3) à une autre position, changez les réglages de fonction. (Se reporter à la page 28 et à la Fig. 9-10)
- Le panneau d'angle du i-see Sensor ne peut en aucun cas être installé du côté du tuyau d'écoulement de l'appareil principal. (Se reporter à la Fig. 9-10)

Position 1 (Marques d'identification de sortie d'air □/□□□)

Position 2 (Marques d'identification de sortie d'air □/□)

Position 3 Position par défaut du i-see Sensor (marques d'identification de sortie d'air □□/□□)

9. Installer la grille

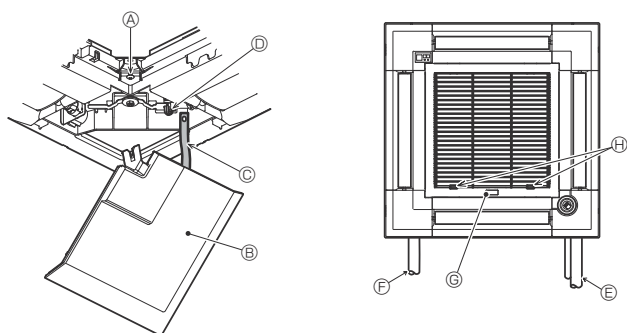


Fig. 9-11

9.5. Installation de la grille d'aspiration (Fig. 9-11)

Remarque :

Lors de la réinstallation des panneaux d'angle (tous munis d'une attache de sécurité), raccordez l'autre extrémité de chaque attache de sécurité à la grille comme illustré.

* Si les panneaux d'angle ne sont pas fixés correctement, ils risquent de tomber lorsque l'appareil principal fonctionne.

- Suivez la procédure décrite à la section "9.2. Préparatifs préalables à la fixation de la grille" dans l'ordre inverse pour installer la grille d'aspiration et le panneau d'angle.
- La direction de la grille d'admission peut être modifiée pour répondre au souhait du client.

- Ⓐ Vis (4 × 16)
- Ⓑ Panneau d'angle
- Ⓒ Attache de sécurité
- Ⓓ Crochet
- Ⓔ Tuyau de réfrigérant
- Ⓕ Tuyau d'écoulement
- Ⓖ Logo de la société

* L'installation est possible dans toutes les positions.

Ⓔ Position initiale des leviers sur la grille d'admission

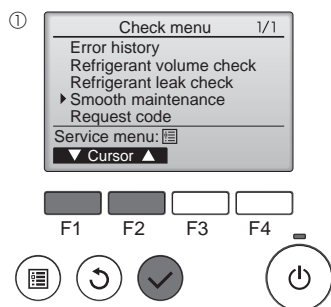
* Bien que les agrafes puissent être installées dans n'importe laquelle des 4 positions, la configuration présentée ici est recommandée. (Il n'est pas nécessaire de retirer la grille d'admission pour l'entretien du boîtier électrique de l'appareil principal.)

10. Fonction d'entretien aisé

Les données de maintenance, telles que la température de l'échangeur thermique et le courant de fonctionnement du compresseur de l'appareil intérieur/extérieur, peuvent être affichées à l'aide de la fonction "Smooth maintenance" (Entretien facile).

* Ceci ne peut pas être effectué en mode d'essai.

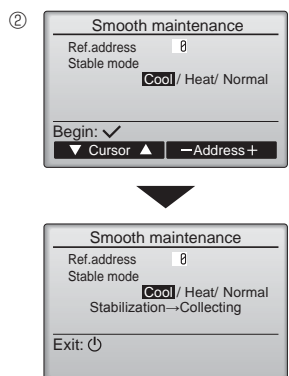
* En fonction de la combinaison avec l'appareil extérieur, ceci peut ne pas être pris en charge par certains modèles.



- Sélectionnez "Service" dans Main menu (menu général) puis appuyez sur la touche [CHOIX].

- Sélectionnez "Check" (Vérif.) à l'aide de la touche [F1] ou [F2] puis appuyez sur la touche [CHOIX].

- Sélectionnez "Smooth maintenance" (Entretien facile) à l'aide de la touche [F1] ou [F2] puis appuyez sur la touche [CHOIX].



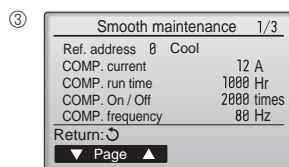
Sélectionnez chaque élément

- Sélectionnez l'élément à modifier à l'aide de la touche [F1] ou [F2].

- Sélectionnez le réglage requis à l'aide de la touche [F3] ou [F4].

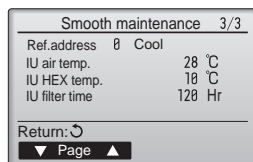
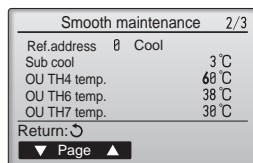
Réglage "Ref. address" (Adresse réf.)..... "0" - "15"
 Réglage "Stable mode" (Mode stable) "Cool" (Froid) / "Heat" (Chaud) / "Normal"

- Appuyez sur la touche [CHOIX], le fonctionnement stable démarre.
- * Stable mode (mode Stable) prend environ 20 minutes.



Les données de fonctionnement apparaissent.

La durée cumulative de fonctionnement du compresseur (COMP. run) est exprimée en unités de 10 heures, et le nombre de cycles marche/arrêt (COMP. On/Off) en unités de 100 fois (sans fractions).



Naviguer dans les écrans

- Pour revenir au Menu général..... Touche [MENU]
- Pour revenir à l'écran précédent Touche [RETOUR]

Contenido

1. Medidas de Seguridad	36	6. Trabajo eléctrico	41
2. Lugar en que se instalará	37	7. Prueba de funcionamiento	46
3. Instalación de la unidad interior	37	8. Sistema de control	49
4. Instalación de los tubos del refrigerante	39	9. Instalación de la rejilla	50
5. Tubería de drenaje	40	10. Función de mantenimiento fácil	52

Nota:

En este manual de instalación, la frase "Controlador remoto cableado" se refiere solo a PAR-32MAA.

Si necesita más información acerca del otro mando a distancia, consulte el manual de instalación o el manual de puesta en marcha que se incluyen en dichas cajas.

1. Medidas de Seguridad

- ▶ Antes de instalar la unidad, asegúrese de haber leído el capítulo de "Medidas de seguridad".
- ▶ Informe al encargado del suministro u obtenga su consentimiento antes de conectar este equipo al sistema de suministro de alimentación.

⚠ Atención:

Describe las precauciones que deben tenerse en cuenta para evitar el riesgo de lesiones o muerte del usuario.

⚠ Cuidado:

Describe las precauciones que deben tenerse en cuenta para evitar daños en la unidad.

⚠ Atención:

- La instalación del aire acondicionado debe correr a cargo del distribuidor o técnico autorizado.
- El usuario no debe intentar reparar la unidad ni desplazarla a otra ubicación bajo ningún concepto.
- Para la instalación, siga las instrucciones del Manual de instalación y utilice las herramientas y piezas de fontanería específicamente diseñadas para utilizar con el refrigerante especificado en el manual de instalación de la unidad exterior.
- La unidad debe instalarse según las instrucciones para reducir posibles daños en caso de terremoto, huracán o vientos fuertes. Si no se instala correctamente, la unidad podría caerse y provocar daños o lesiones.
- La unidad debe instalarse firmemente sobre una estructura capaz de soportar su peso.
- Si el equipo de aire acondicionado se instala en una sala pequeña deberán tomarse medidas para prevenir que la concentración de refrigerante exceda los límites de seguridad en caso de fugas. Si se produce una fuga de refrigerante que sobrepase los límites de concentración, la estancia en la sala puede ser peligrosa por falta de oxígeno.
- Si se produce una fuga de refrigerante durante el funcionamiento, ventile la sala. Si el refrigerante entra en contacto con una llama, se desprenderán gases nocivos.
- Todas las conexiones eléctricas deberán ser realizadas por un técnico cualificado según la normativa local y las instrucciones de este manual.
- Utilice solo cables especificados para el cableado. Las conexiones del cableado se deben realizar con seguridad sin que se ejerza tensión en las conexiones de los terminales. Asimismo, no empalme nunca los cables al realizar el cableado (a menos que se indique lo contrario en este documento). El hecho de no seguir estas instrucciones puede provocar un sobrecalentamiento o un incendio.
- El aparato eléctrico debe instalarse siguiendo las regulaciones vigentes del país en materia de cableado.

Después de terminar la instalación, explique las "Medidas de Seguridad", funcionamiento y mantenimiento de la unidad al cliente según el Manual de instrucciones y realice una prueba para asegurarse de que funciona correctamente. Entregue una copia del Manual de instalación y del Manual de instrucciones al usuario. Estos manuales deben pasar a usuarios posteriores del equipo.

⚡ :Indica una pieza que debe estar conectada a tierra.

⚠ Atención:

Lea atentamente las etiquetas adheridas a la unidad principal.

1.1. Cuestiones previas a la instalación (Ambiente)

⚠ Cuidado:

- No utilice la unidad en un ambiente enrarecido. Si instala el aire acondicionado en áreas expuestas al vapor, aceite esencial (incluyendo el aceite para máquinas), o humo sulfúrico, áreas con alto contenido en sal como playas, el rendimiento puede verse reducido significativamente y las piezas internas pueden dañarse.
- No instale la unidad donde se puedan verter, producir, circular o acumular gases inflamables. Si se acumula gas inflamable en zonas próximas a la unidad, se podría producir un incendio o una explosión.
- No coloque alimentos, plantas, animales, obras de arte o instrumentos de precisión en la salida de aire directa de la unidad exterior o demasiado cerca de ella, ya que los cambios de temperatura o el agua que gotea podrían dañarlos.

- Cuando la humedad de la habitación supera el 80%, o cuando el tubo de drenaje esté obstruido, puede gotear agua de la unidad interior. No instale la unidad interior en lugares donde el goteo pueda causar daños.
- Si instala la unidad en un hospital o en un centro de comunicaciones, recuerde que la unidad produce ruidos e interferencias electrónicas. Los conmutadores, aparatos domésticos, equipos médicos de alta frecuencia y las comunicaciones de radio pueden provocar un mal funcionamiento o la avería del equipo de aire acondicionado. El equipo de aire acondicionado también puede afectar los equipos médicos e interrumpir los cuidados médicos, así como los equipos de comunicación y dañar la calidad de la pantalla.

1.2. Antes de la instalación o reubicación

⚠ Cuidado:

- Tenga mucho cuidado cuando mueva las unidades. Se necesitan dos o más personas para llevar la unidad ya que pesa 20 kg, 44 libras o más. No la sujete por las bandas de embalaje. Utilice guantes protectores ya que se podría lesionar con las aletas u otras partes.
- Guarde los embalajes en un lugar seguro. Los materiales de embalaje, como clavos y otras piezas de metal o de madera pueden producir pinchazos y otras lesiones.
- El tubo de refrigerante debe estar aislado térmicamente para evitar la condensación. Si el tubo de refrigerante no se aísla correctamente, se formará condensación.
- Sitúe material aislante térmico en las tuberías para evitar la condensación. Si el tubo de drenaje no se instala correctamente, se puede producir un escape de agua o daños en el techo, suelo, muebles u otros objetos.

- No limpie con agua el equipo de aire acondicionado. Puede sufrir una descarga eléctrica.
- Apriete las tuercas de abocardado a los niveles especificados mediante una llave dinamométrica. Si las aprieta demasiado, se pueden romper el cabo de un tiempo.
- Si se utiliza la unidad durante muchas horas y el aire del techo se encuentra a una temperatura alta/presenta una humedad elevada (punto de rocío por encima de los 26 °C, 79 °F), puede formarse rocío en la unidad interior o en los materiales del techo. Si utiliza las unidades en estas condiciones, coloque material aislante (10-20 mm, 25/64 - 25/32 pulgadas) en toda la superficie de la unidad y en los materiales del techo para evitar la condensación.

1.3. Antes de la instalación eléctrica

⚠ Cuidado:

- Asegúrese de instalar disyuntores. Si no se instalan, se podrían producir descargas eléctricas.
- Use cables estándar de suficiente capacidad para las líneas eléctricas. Si no lo hace así, se podría producir un cortocircuito, un sobrecalentamiento o un incendio.
- Cuando instale las líneas eléctricas, los cables no deben tener corriente.

- Asegúrese de instalar una toma de tierra. Si la unidad no está bien conectada a la línea de tierra, se puede producir una descarga eléctrica.
- Utilice disyuntores (interruptor de falta de tierra, interruptor aislante (+fusible B) e interruptores en caja moldeada) con la potencia especificada. Si la potencia del interruptor es mayor que la especificada, puede ocurrir un incendio o una avería.

1.4. Antes de realizar las pruebas de funcionamiento

⚠ Cuidado:

- Conecte la corriente al menos 12 horas antes de que empiece a funcionar el equipo. Si se acciona inmediatamente después de haberlo conectado a la corriente, pueden producirse daños graves en las piezas internas.
- Antes de que comience a funcionar el equipo, compruebe que todos los paneles y protectores están instalados correctamente. Las piezas giratorias, calientes o de alto voltaje pueden provocar lesiones.
- No haga funcionar el equipo de aire acondicionado sin el filtro de aire instalado. Si el filtro de aire no está colocado, se puede acumular el polvo y se puede averiar el equipo.

- No toque ningún interruptor con las manos mojadas. Puede sufrir una descarga eléctrica.
- No toque la tubería del refrigerante sin guantes mientras durante el funcionamiento.
- Una vez deje de funcionar el aparato, espere cinco minutos antes de apagar el interruptor principal. De lo contrario, se puede producir un goteo de agua o una avería.

2. Lugar en que se instalará

Consulte el manual de instalación de la unidad exterior.

3. Instalación de la unidad interior

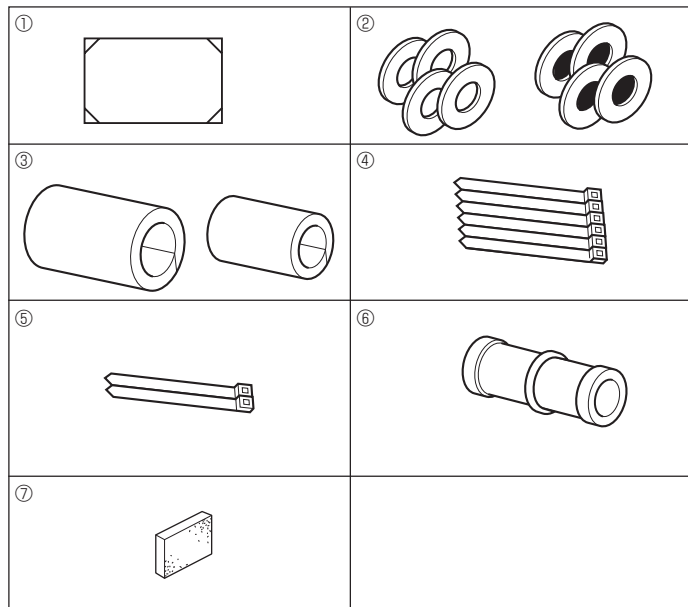


Fig. 3-1

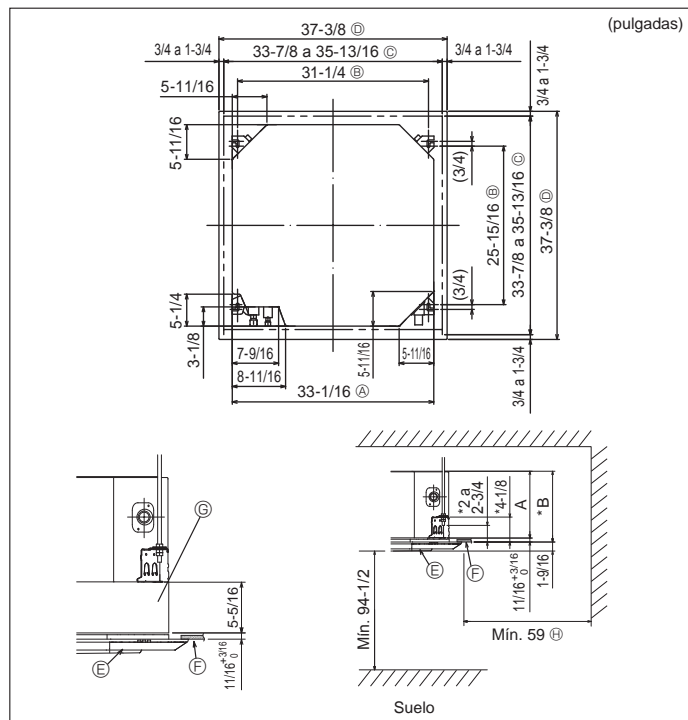


Fig. 3-2

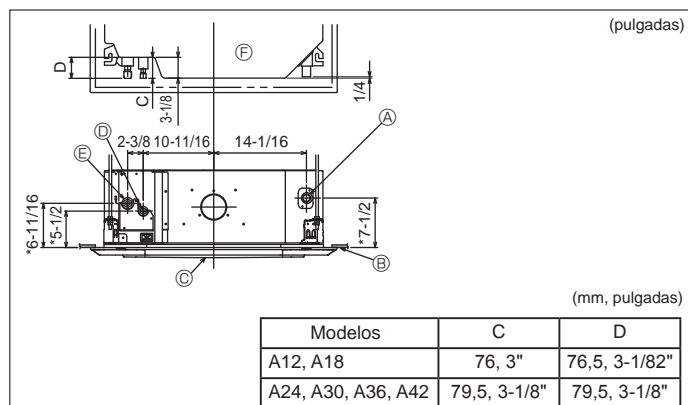


Fig. 3-3

3.1. Comprobación de los accesorios de la unidad interior (Fig. 3-1)

La unidad interior debe ir acompañada de los siguientes accesorios.

	Nombre accesorio	Cant.
①	Plantilla de instalación (parte superior del paquete)	1
②	Arandelas (con aislamiento)	4
	Arandelas (sin aislamiento)	4
③	Cubierta de tubería (para junta de tubería de refrigerante)	
	diámetro pequeño	1
	diámetro grande	1
④	Abrazadera (grande)	6
⑤	Abrazadera (pequeña)	2
⑥	Tubo de desagüe	1
⑦	Aislante	1

3.2. Apertura del techo y ubicación de los tornillos de suspensión (Fig. 3-2)

⚠ Precaución:

Instale la unidad interior como mínimo 2,4 m, 94 - 1/2 pulgadas por encima del nivel del suelo.

Para aplicaciones que no están disponibles para el público general.

• Mediante la plantilla de instalación (parte superior del paquete) y el calibre (suministrado como un accesorio junto a la rejilla), realice una apertura en el techo de forma que la unidad principal se pueda instalar tal y como se indica en el diagrama (el método de utilización de la plantilla y del calibre está indicado).

* Antes de utilizarlas, compruebe las dimensiones de la plantilla y del calibre ya que pueden cambiar por fluctuaciones de la temperatura y humedad.

* Las dimensiones de la apertura del techo pueden ajustarse dentro de los valores indicados en la Fig. 3-2; centre la unidad principal en la apertura asegurándose de que los lados opuestos respectivos alrededor de la apertura sean idénticos.

• Utilice tornillos de suspensión M10 (3/8").

* Los tornillos de suspensión no están incluidos en el envío.

• Instale la unidad asegurándose de que no queda espacio entre el panel de techo y la rejilla y entre la unidad principal y la rejilla.

Ⓐ Lado exterior de la unidad principal

Ⓔ Rejilla

Ⓑ Paso del tornillo

Ⓕ Techo

Ⓒ Apertura en el techo

Ⓖ Caja multifuncional (opcional)

Ⓓ Lado exterior de la rejilla

Ⓗ Toda la periferia

* Obsérvese que debe haber un espacio mínimo de 7 mm, 5/16 pulgadas entre el panel de techo de la unidad y la placa de techo, etc.

* Si está instalada la caja multifuncional, añada 135 mm, 5 - 5/16 pulgadas a las dimensiones indicadas en la ilustración.

(mm, pulgadas)

Modelos	A	B
A12, A18	241, 9-1/2"	258, 10-3/16"
A24, A30, A36, A42	281, 11-1/16"	298, 11-3/4"

3.3. Ubicaciones de los tubos de refrigerante y drenaje de la unidad interior (Fig. 3-3)

Las cifras marcadas mediante * en el gráfico representan el tamaño de la unidad principal sin tener en cuenta la caja multifuncional opcional.

Ⓐ Tubo de drenaje

Ⓑ Techo

Ⓒ Rejilla

Ⓓ Tubo de refrigerante (líquido)

Ⓔ Tubo de refrigerante (gas)

Ⓕ Unidad principal

* Cuando instale dicha caja, añada 135 mm, 5 - 5/16 pulgadas a las dimensiones marcadas en la figura.

3. Instalación de la unidad interior

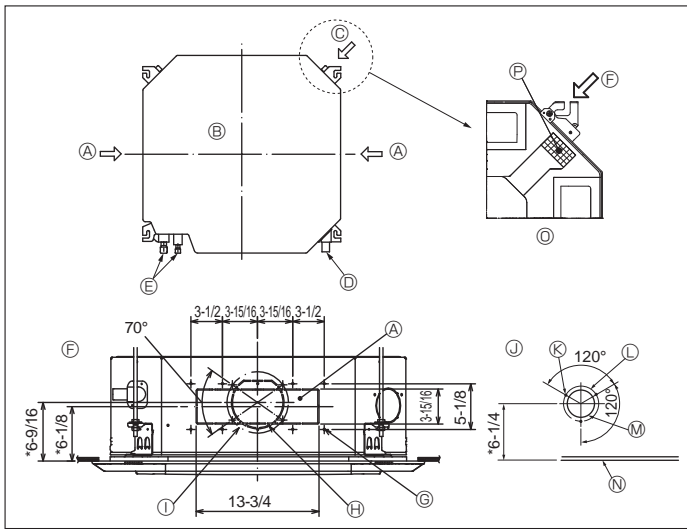


Fig. 3-4

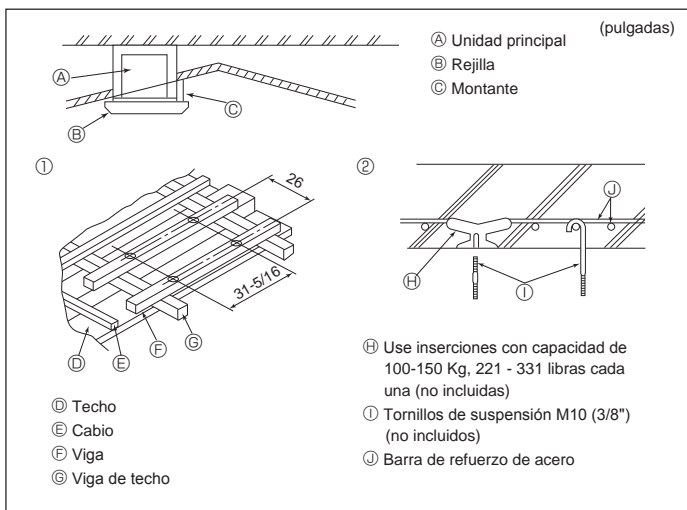


Fig. 3-5

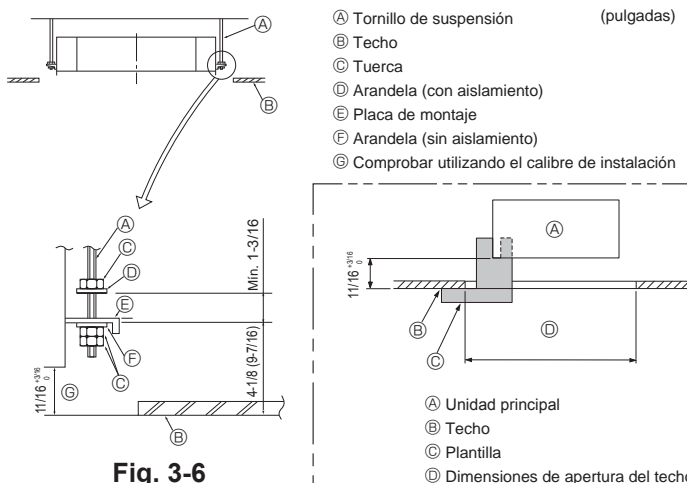


Fig. 3-6

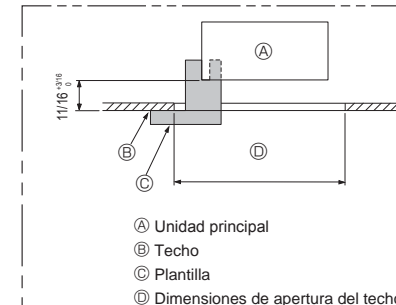


Fig. 3-7

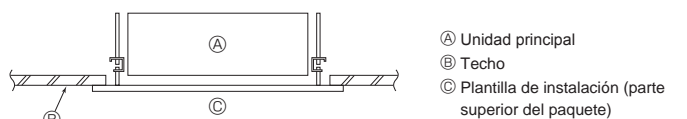


Fig. 3-8

3.4. Orificio para conducciones y orificio para toma de aire fresco (Fig. 3-4)

Durante la instalación utilice los orificios para conducciones (taladrados) que se encuentran en los puntos indicados en la Fig. 3-4, como y cuando sea necesario.

- También puede realizar un orificio para toma de aire fresco para la caja multifuncional opcional.

Nota:

- Las cifras marcadas mediante * en el gráfico representan el tamaño de la unidad principal sin tener en cuenta la caja multifuncional opcional.
- Cuando instale dicha caja, añada 135 mm, 5 - 5/16 pulgadas a las dimensiones marcadas en la figura.
- Cuando instale el ramal de conducción, asegúrese de aislar lo adecuadamente. En caso contrario, podría producirse condensación y goteos.
- Al instalar el orificio para la toma de aire fresco, asegúrese de quitar el aislante pegado a la unidad interior.
- Cuando el aire exterior entra directamente en la unidad principal, el volumen de entrada de aire debe ser como máximo el 5% del volumen de aire de la unidad interior.
- Cuando se utilice el aire exterior, debe emplearse el ventilador del conducto y el filtro de recogida de polvo para evitar que entre polvo u otras partículas. Para más detalles, consulte el apartado "Características de presión estática y volumen de entrada de aire fresco" en el LIBRO DE DATOS de la serie P.
- Cuando el aire exterior entra directamente en la unidad principal, es posible que aumente el ruido operativo.

- | | |
|--|--|
| A Orificio para ramal de conducción | H Orificio de corte $\phi 150$ mm, $\phi 5-7/8$ pulgadas |
| B Unidad principal | I Paso del orificio taladrado $\phi 175$ mm, $\phi 6-7/8$ pulgadas |
| C Orificio para toma de aire fresco | J Diagrama del orificio para toma de air efresco |
| D Tubo de drenaje | K Tornillos roscados de 3-4x10 |
| E Tubo del refrigerante | L Paso del orificio taladrado $\phi 125$ mm, $\phi 4-15/16$ pulgadas |
| F Diagrama del orificio para ramal de conducción (view from either side) | M Orificio de corte $\phi 100$ mm, $\phi 3-15/16$ pulgadas |
| G Tornillos roscados de 14-4x10 | N Techo |
| | O Figura explicativa sobre la extracción del aislante |
| | P Aislamiento |

3.5. Estructura de suspensión (Refuerzo de la estructura de suspensión) (Fig. 3-5)

Los trabajos en el techo diferirán según el tipo de construcción del edificio. Se deberá consultar a los constructores y decoradores de interiores.

- (1) Apertura del techo: El techo se mantendrá totalmente horizontal y se reforzarán las estructuras (marco: listones de madera y soportes de listones) para proteger el techo de vibraciones.
- (2) Corte y extraiga la estructura del techo.
- (3) Refuerce los bordes del fundamento de techo donde ha sido cortado y añada elementos estructurales para asegurar los extremos del panel de techo.
- (4) Al instalar la unidad interior en un techo inclinado coloque un montante entre el techo y rejilla y disponga la instalación de forma que la unidad quede horizontal.

- ① Estructuras de madera
 - Use vigas-tirante (para casas de un solo piso) o vigas de doble piso (para casas de dos pisos) como refuerzo.
 - Las vigas de madera para suspender unidades de aire acondicionado deben ser resistentes y sus lados deben medir, al menos, 6 cm, $\phi 2-3/8$ pulgadas si las vigas están separadas no más de 90 cm, $\phi 35-7/16$ pulgadas, o al menos 9 cm, $\phi 3-9/16$ pulgadas si están separadas hasta 180 cm, 70-7/8 pulgadas. El tamaño de los tornillos de suspensión debería ser de $\phi 10$ (3/8"). (Los tornillos no vienen incluidos con la unidad.)

- ② Estructuras de hormigón armado
 - Asegure los tornillos de suspensión con el método que se muestra en el gráfico o utilice ganchos de acero o madera, etc. para instalar los tornillos de sujeción.

3.6. Procedimientos de suspensión de la unidad (Fig. 3-6)

Suspenda la unidad principal como muestra el diagrama. Las cifras entre paréntesis representan las dimensiones en caso de instalar la caja multifuncional.

1. Primero coloque las piezas en los tornillos de sujeción en el orden siguiente: arandelas (con aislamiento), arandelas (sin aislamiento) y tuercas (dobles).
 - Coloque la arandela con el acolchado de forma que el aislamiento mire hacia abajo.
 - Si se utilizan arandelas superiores para colgar la unidad principal, las arandelas inferiores (con aislamiento) y las tuercas (dobles) se colocarán más tarde.
2. Levante la unidad hasta la altura adecuada de los tornillos de sujeción para insertar la placa de montaje entre arandelas y apretar luego las tuercas.
3. Cuando la unidad principal no pueda ser alineada contra los orificios de montaje en el techo, se puede ajustar posteriormente gracias a la ranura prevista en la placa de montaje.
 - Asegúrese de que el paso A se realiza en 17-22 mm, 11/16 to 3/4 pulgadas. Si no se respeta este margen, podrían producirse graves daños. (Fig. 3-7)

⚠ Cuidado: Utilice la mitad superior de la caja como cubierta protectora para impedir que se introduzca polvo o escombros en el interior de la unidad antes de la instalación de la cubierta decorativa o cuando se coloquen materiales de revestimiento.

3.7. Confirmación de la posición de la unidad principal y apriete de los tornillos de sujeción (Fig. 3-8)

- Cerciórese, utilizando el calibre unido a la rejilla, de que la parte inferior de la unidad principal esté correctamente alineada con la apertura del techo. Confírmelo, ya que en caso contrario se puede generar una condensación y gotear debido a pérdidas de aire, etc.
- Confirme que la unidad principal está nivelada horizontalmente mediante un nivel o tubo de vinilo relleno de agua.
- Una vez comprobada la posición de la unidad principal, apriete firmemente las tuercas de los tornillos de suspensión para fijar la unidad principal.
- La plantilla de instalación (parte superior del paquete) se puede utilizar como hoja de protección para evitar que entre el polvo en la unidad principal cuando no estén colocadas las rejillas durante un lapso temporal o cuando se alineen los materiales del techo después de haber finalizado la instalación de la unidad.
- * Para más detalles sobre su uso consulte las instrucciones de la plantilla de instalación. (parte superior del paquete)

4. Instalación de los tubos del refrigerante

4.1. Precauciones

Para aparatos con refrigerante R410A

- Utilice aceite de alquilobenceno (en pequeñas cantidades) para recubrir las secciones abocardadas.
- Utilice tubos de cobre fosforoso del tipo C1220 y tubos de aleación de cobre sin costuras para conectar los tubos del refrigerante. Utilice tuberías para refrigerante del grosor especificado en la tabla siguiente. Asegúrese de que el interior de las tuberías está limpio y que no contienen ningún contaminante nocivo como compuestos sulfúricos, oxidantes, restos o polvo.

⚠ Atención:

Cuando instale, mueva o revise el equipo de aire acondicionado, utilice solo el refrigerante indicado (R410A) para cargar los tubos del refrigerante. No lo mezcle con otro tipo de refrigerante y vacíe completamente de aire los tubos. Si el aire se mezcla con el refrigerante, podría producir una tensión anormalmente alta en el tubo del refrigerante y ocasionar una explosión u otros peligros. Usar un refrigerante distinto al indicado para el sistema provocará un fallo mecánico, un funcionamiento defectuoso del sistema o la avería de la unidad. En el peor de los casos, podría suponer un grave impedimento para garantizar la seguridad del producto.

ø6,35 mm, ø1/4 pulgada grosor 0,8 mm, 1/32 pulgada	ø9,52 mm, ø3/8 pulgada grosor 0,8mm, 1/32 pulgada
ø12,7 mm, ø1/2 pulgada grosor 0,8 mm, 1/32 pulgada	ø15,88 mm, ø5/8 pulgada grosor 1,0 mm, 3/64 pulgada

- No utilice tubos con un grosor menor del especificado a continuación.

4.2. Tubos de conexión (Fig. 4-1)

- Si se utilizan tubos de cobre convencionales, envuelva los tubos de gas y líquido con materiales aislantes (resistente al calor hasta 100 °C, 212 °F o más, espesor de 12 mm, 1/2 pulgada o más).
- Aplique una capa delgada de aceite refrigerante a la superficie tubo y de la junta de asiento antes de apretar la tuerca de abocardado.
- Utilice dos llaves de apriete para apretar las conexiones de los tubos.
- Utilice el aislante de tubería de refrigerante suministrado para aislar las conexiones de la unidad interior. Realice los aislamientos con cuidado.
- Después de haber conectado los tubos de refrigerante a la unidad interior, realice una prueba de fuga de gas de las conexiones de los tubos con gas nitrógeno. (Compruebe que no exista ninguna fuga entre los tubos de refrigerante y la unidad interior.)
- Utilice la tuerca abocardada instalada en esta unidad interior.
- Si vuelve a conectar los tubos de refrigerante después de desmontarlos, asegúrese de que se haya reconstruido la parte abocardada del tubo.

ⓑ Torsión de apriete de la tuerca abocardada

Tubo de cobre O.D. (mm, pulgadas)	Tuerca de abocardado O.D. (mm, pulgadas)	Torsión de apriete (N·m, ft·lbs)
ø6,35, 1/4"	17, 43/64"	14-18, 10-13"
ø6,35, 1/4"	22, 7/8"	34-42, 25-30"
ø9,52, 3/8"	22, 7/8"	34-42, 25-30"
ø12,7, 1/2"	26, 1-3/32"	49-61, 35-44"
ø15,88, 5/8"	29, 1-9/64"	68-82, 49-59"

Ⓒ Aplique aceite refrigerante para máquinas en toda la superficie abocardada.

Ⓓ Utilice tuercas abocardadas que coincidan con el tamaño de la tubería de la unidad exterior.

Tamaños de tubería disponibles

	A12, A18	A24, A30, A36, A42
Liquid side	ø6,35 O	—
Lado del gas	ø12,7 O	ø9,52 O

O : Accesorio de fábrica para acoplar la tuerca abocardada al intercambiador de calor.

⚠ Atención:

- ¡Tenga cuidado de no soltar la tuerca abocardada! (Presurización interna)
Extraiga la tuerca abocardada como se indica:
 1. Afloje la tuerca hasta que escuche un silbido.
 2. No extraiga la tuerca hasta que se haya liberado completamente el gas (es decir, hasta que se detenga el silbido).
 3. Compruebe que se haya liberado completamente el gas y extraiga la tuerca.
- Al instalar la unidad, conecte firmemente las tuberías de refrigerante antes de poner en marcha el compresor.

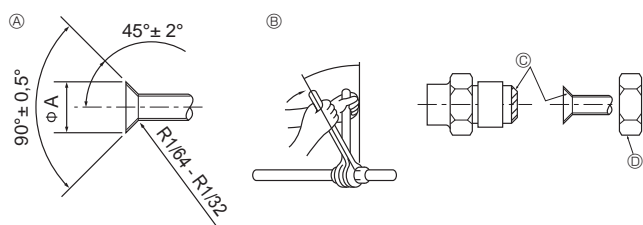


Fig. 4-1

Ⓐ Flare cutting dimensions

Tubo de cobre O.D. (mm, pulgadas)	Dimensiones de abocardado dimensiones øA (mm, pulgadas)
ø6,35, 1/4"	8,7-9,1, 11/32-23/64"
ø9,52, 3/8"	12,8-13,2, 1/2-33/64"
ø12,7, 1/2"	16,2-16,6, 41/64-21/32"
ø15,88, 5/8"	19,3-19,7, 49-64-25/32"

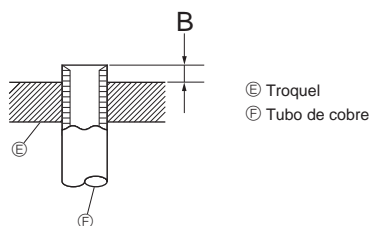


Fig. 4-2

Tubo de cobre O.D. (mm, pulgadas)	B (mm, pulgadas)
	Herramienta abocardada para R410A
	Tipo gancho
ø6,35 (1/4")	1-1,5, 3/64-1/16"
ø9,52 (3/8")	1-1,5, 3/64-1/16"
ø12,7 (1/2")	1-1,5, 3/64-1/16"
ø15,88 (5/8")	1-1,5, 3/64-1/16"

4. Instalación de los tubos del refrigerante

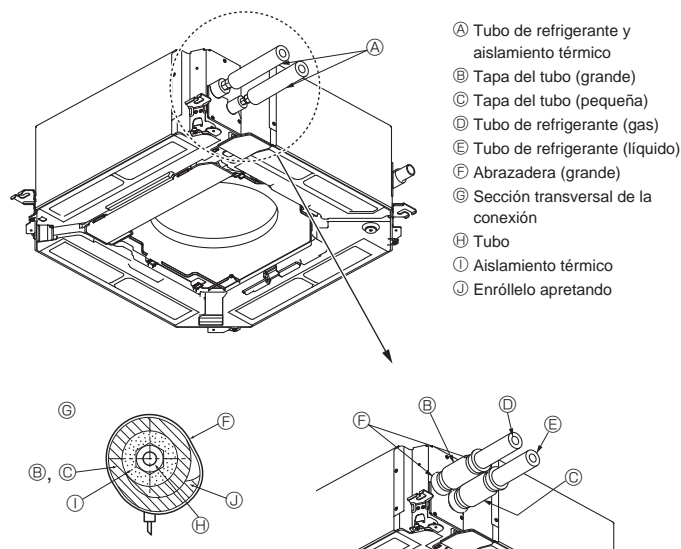


Fig. 4-3

Aislamiento del calor para los tubos refrigerantes (Fig. 4-3)

- 1 Envuelva la cubierta adjunta del tubo de mayor tamaño alrededor del tubo de gas, asegurándose de que el extremo de la cubierta del tubo entre en contacto con el lateral de la unidad.
- 2 Envuelva la cubierta adjunta del tubo de menor tamaño alrededor del tubo de líquido, asegurándose de que el extremo de la cubierta del tubo entre en contacto con el lateral de la unidad.
- 3 Asegure ambos extremos de cada cubierta del tubo con las uniones adjuntas (coloque las uniones a 20 mm, 25/32 pulgadas de los extremos de la cubierta del tubo).

4.3. Para una combinación doble

Consulte el manual de instalación de la unidad exterior.

Algunas unidades exteriores no pueden utilizarse en un sistema doble simultáneo.

5. Tubería de drenaje

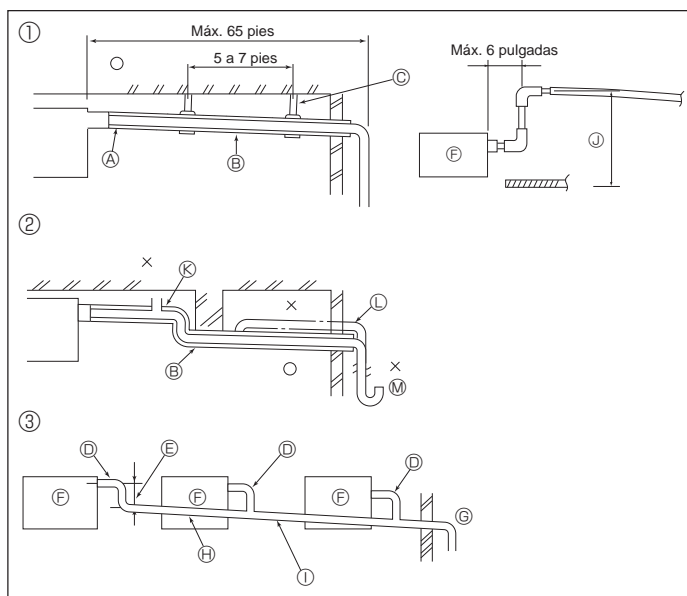


Fig. 5-1

5.1. Tubería de drenaje (Fig. 5-1)

- Las piezas interiores del tubo de drenaje tienen que estar envueltas en materiales aislantes de espuma de polietileno (gravedad específica de 0,03 y espesor de 9 mm, 23/64 pulgadas o más).
- Utilice VP25 (O.D. ø32 mm, 1 - 1/4 pulgadas TUBO PVC) para el tubo de drenaje y prevea una pendiente de descenso de 1/100 o más.
- Conecte las juntas de los tubos con un adhesivo de tipo PVC.
- Observe la figura para realizar los trabajos de canalización.
- Utilice la manguera de drenaje incluida para cambiar la dirección de la extracción.
- Cuando coloque las tuberías de drenaje, utilice siempre los soportes metálicos. Si se aplica una carga al tubo de desagüe que dañe la manguera o provoque que ésta se desconecte, pueden producirse escapes de agua.

- | | |
|--|---|
| ① Tubería correcta | Ⓜ Haga la medida de la tubería ancha para la agrupación de tuberías |
| ② Tubería incorrecta | Ⓨ Pendiente de descenso de 1/100 o más |
| ③ Agrupación de tuberías | Ⓩ O.D. ø38 mm, 1 - 1/2 pulgadas TUBO PVC para agrupación de tuberías (9 mm, 23/64 pulgadas o mayor aislamiento) |
| A Unidad principal (9 mm, 23/64 pulgadas o más) | ⓐ Hasta 85 cm, 33- 7/16 pulgadas |
| B Pendiente de descenso de 1/100 o más | ⓑ Expulsador de aire |
| C Metal de soporte | ⓒ Elevado |
| D O.D. ø32 mm, 1 - 1/4 pulgadas TUBO PVC | ⓓ Retención de olores |
| E Hágalo lo más ancho posible (aprox. 10 cm, 3 - 15/16 pulgadas) | |
| F Unidad principal | |

1. Conecte el tubo de desagüe (suministrado con la unidad) al orificio de desagüe. (Fig. 5-2) (Sujete el tubo con cinta aislante y asegure la conexión con una abrazadera.)
2. Instale un tubo de drenaje (no incluido) (tubo de PVC, O.D. ø32 mm, 1 - 1/4 pulgadas). (Sujete el tubo con cinta aislante y asegure la conexión con una abrazadera.)
3. Compruebe que el líquido de drenaje circule correctamente.
4. Aísle el tubo y el orificio de desagüe con material aislante, y sujételo con una abrazadera. (Tanto la abrazadera como el material aislante vienen incluidos con el equipo.)
5. Aísle el tubo de drenaje (tubo de PVC, O.D. ø32 mm, 1 - 1/4 pulgadas).

- | | |
|--|--|
| A Unidad principal | ⓗ Material aislante (comprado en su localidad) |
| B Material aislante | ⓓ Tubo de PVC transparente |
| C Abrazadera (grande) | ⓔ O.D. ø32 mm, 1 - 1/4 pulgadas PVC TUBO (Inclinación mínima de 1/100) |
| D Puerto de drenaje (transparente) | ⓕ Tubo de desagüe |
| E Límite de colocación | |
| F Unión | |
| G Tubo de drenaje (O.D. ø32 mm, 1 - 1/4 pulgadas PVC TUBO) | |

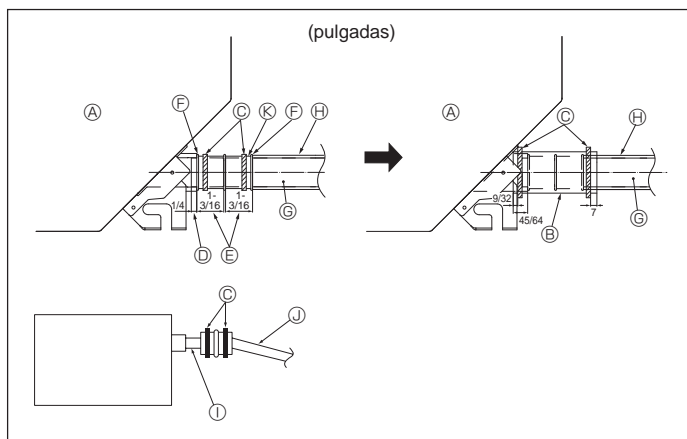


Fig. 5-2

6. Trabajo eléctrico

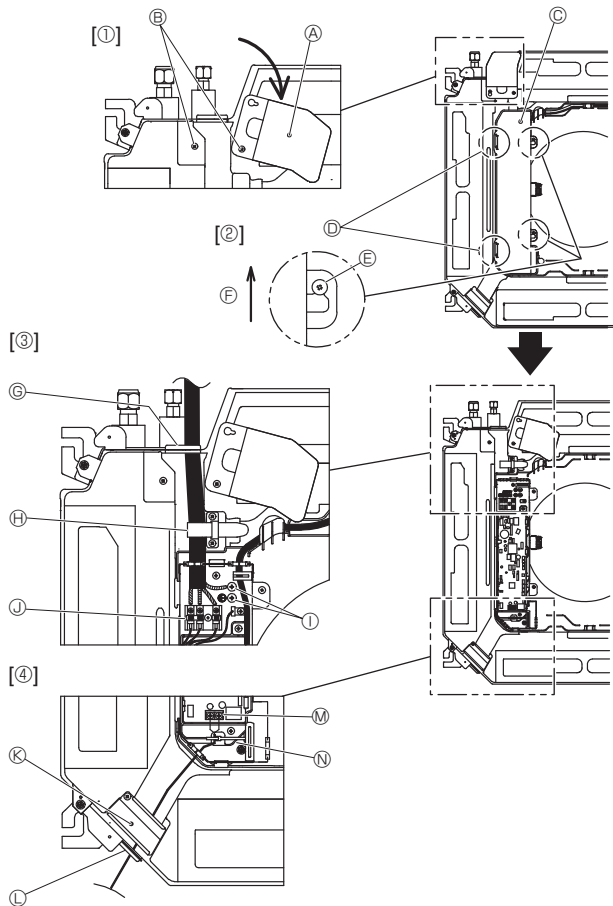


Fig. 6-1

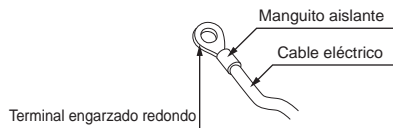


Fig. 6-2

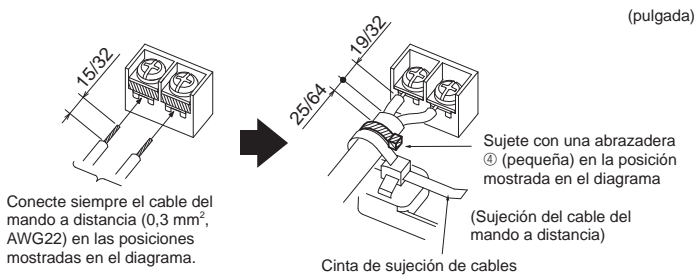


Fig. 6-3

Conecte siempre el cable del mando a distancia (0,3 mm², AWG22) en las posiciones mostradas en el diagrama.

Sujete con una abrazadera (pequeña) en la posición mostrada en el diagrama (Sujeción del cable del mando a distancia)

Cinta de sujeción de cables

6.1. Unidad interior (Fig. 6-1)

1. Afloje los dos tornillos que fijan el panel de servicio del cableado, y luego gire dicho panel. [Fig. 6-1 ①]
 2. Afloje los dos tornillos que fijan la cubierta de la caja eléctrica y luego deslice dicha cubierta. [Fig. 6-1 ②]
 3. Pase el cable de alimentación, el cable de conexión de la unidad interior/externo y el cable de tierra a través de las entradas de cableado indicadas en el diagrama. [Fig. 6-1 ③]
Ponga la parte revestida del cable de alimentación y del cable de conexión de la unidad interior/externo en la caja eléctrica.
Utilice terminales engarzados redondos para la placa de terminales de conexión interior-externo y el kit de terminales de alimentación opcional. [Fig. 6-2]
Si no puede utilizar terminales engarzados redondos, siga el procedimiento indicado en las Fig. 6-4-6-6.
Consulte los detalles de la conexión en el apartado 6.1.1.
 4. Pase y conecte el cable del mando a distancia por las entradas de cableado indicadas en el diagrama. [Fig. 6-1 ④, Fig. 6-3]
Consulte los detalles de la conexión en el apartado 6.1.1.
- No permita que se aflojen los tornillos de terminales.

Par de apriete del tornillo

	Par de apriete (N·m, ft·lbs)
Placa de terminales del mando a distancia	1,2 ± 0,1, 0,9 ± 0,1
Placa de terminales de conexión interior-externo	1,6 ± 0,1, 1,2 ± 0,1
Cable de tierra	1,6 ± 0,1, 1,2 ± 0,1

- Disponga el resto de cable de modo tal que la caja eléctrica quede suspendida bajo la unidad durante el servicio (aproximadamente de 50 a 100 mm, 1-31/32 to 3-15/16 pulgadas).

- ① Panel de servicio del cableado eléctrico
- ② Tornillo
- ③ Cubierta de la caja eléctrica
- ④ Gancho para colgar la cubierta de la caja eléctrica temporalmente
- ⑤ Tornillo
- ⑥ Dirección de deslizamiento de la cubierta de la caja eléctrica
- ⑦ Abertura para el cable de alimentación y el cable de conexión de la unidad interior/externo
- ⑧ Asegurar con la cinta de sujeción de cables.
- ⑨ Cable de tierra
- ⑩ Terminal de conexión de la unidad interior/externo
- ⑪ Panel de servicio del cableado (mando a distancia)
- ⑫ Entrada para el mando a distancia cableado
- ⑬ Terminal del mando a distancia cableado
- ⑭ Asegurar con la cinta de sujeción de cables.

⚠ Precaución:

- Los cables del mando a distancia deberán situarse alejados (50 mm, 2 pulgadas como mínimo) de los cables de alimentación, de modo que no se vean afectados por el ruido eléctrico generado por los cables de alimentación.

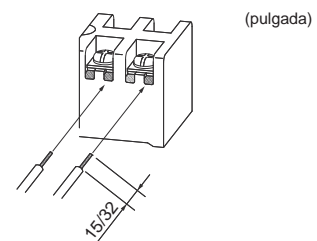


Fig. 6-4

- La ranura en forma de U se abre si se presiona la cabeza del tornillo después de aflojarlo.

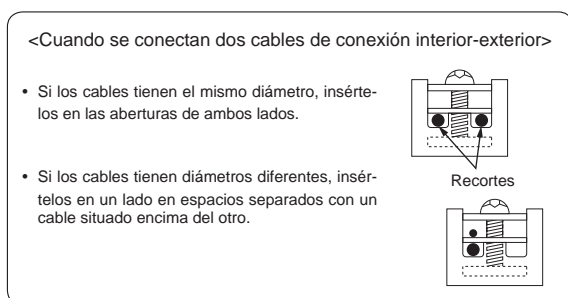
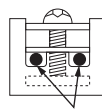


Fig. 6-5

<Cuando se conectan dos cables de conexión interior-externo>

- Si los cables tienen el mismo diámetro, insérte-los en las aberturas de ambos lados.
- Si los cables tienen diámetros diferentes, insérte-los en un lado en espacios separados con un cable situado encima del otro.



Recortes

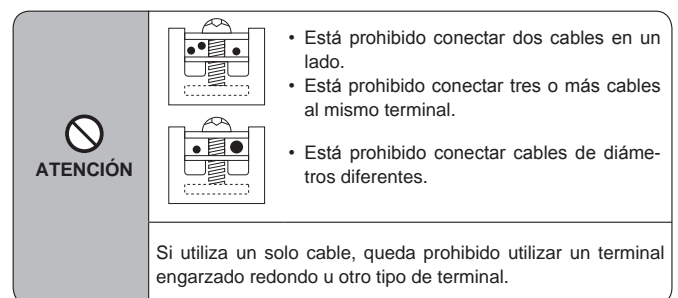
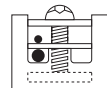


Fig. 6-6

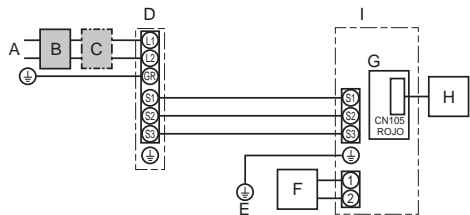
6. Trabajo eléctrico

6.1.1. Alimentación de la unidad interior suministrada por la unidad exterior

Están disponibles los siguientes patrones de conexión.

Los patrones de la fuente de alimentación de la unidad exterior varían en función del modelo.

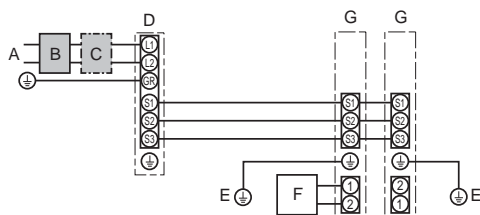
Sistema 1:1



- A Alimentación de la unidad exterior
- B Disyuntor automático de fugas a tierra
- C Disyuntor de cableado o interruptor aislante
- D Unidad exterior
- E Cables de conexión de la unidad interior/ unidad exterior
- F Controlador remoto cableado
- G Placa del controlador interior
- H Interfaz de radiofrecuencia para el termostato de radiofrecuencia
- I Unidad interior

* Coloque una de las etiquetas A incluidas con los manuales cerca de cada esquema de cableado de las unidades interiores y exterior.

Sistema doble simultáneo



Sólo para el controlador remoto cableado

- A Alimentación de la unidad exterior
- B Disyuntor automático de fugas a tierra
- C Disyuntor de cableado o interruptor aislante
- D Unidad exterior
- E Cables de conexión de la unidad interior/unidad exterior
- F Controlador remoto cableado
- G Unidad interior

* Coloque una de las etiquetas A incluidas con los manuales cerca de cada esquema de cableado de las unidades interiores y exterior.

Nota:
Algunas unidades no pueden utilizarse en un sistema doble simultáneo. Para más detalles, consulte el manual de instalación de la unidad exterior.

Modelo de la unidad interior	PLA-A12EA7	PLA-A18EA7	PLA-A24EA7	PLA-A30EA7	PLA-A36EA7	PLA-A42EA7
Amperaje mínimo del circuito	1 A	1 A	1 A	1 A	2 A	2 A
Capacidad máxima del dispositivo de protección contra sobrecorriente	15 A					
Cableado- Cable n° x tamaño	Unidad interior-unidad exterior *1		3 x AWG14 (Polar)			
	Cable a tierra de la unidad interior y de la unidad exterior		1 x Mín. AWG14			
Rango del circuito	Mando a distancia-Unidad interior *2		2 x AWG22 (No polar, sin blindaje)			
	Unidad interior-unidad exterior S1-S2 *3		208/230 VCA			
	Unidad interior-unidad exterior S2-S3 *3		24 VCC			
Controlador remoto cableado-Unidad interior *3		12 VCC				

*1. <Para la aplicación en la unidad exterior 35-140>

Máx. 45 m, 148 pies

Si se utiliza cable de AWG13 (2,5 mm²), máx. 50 m, 165 pies

Si se utiliza cable de AWG13 (2,5 mm²) y S3 por separado, máx. 80 m, 263 pies

<Para la aplicación en la unidad exterior 200/250>

Máx. 18 m, 59 pies

Si se utiliza cable de AWG13 (2,5 mm²), máx. 30 m, 99 pies

Si se utiliza cable de AWG11 (4 mm²) y S3 por separado, máx. 50 m, 165 pies

Si se utiliza cable de AWG9 (6 mm²) y S3 por separado, máx. 80 m, 263 pies

*2. Máx. 500 m, 1640 pies

(Si se utilizan 2 mandos a distancia, la longitud máxima del cableado para los cables del mando a distancia es de 200 m, 656 pies).

*3. Los valores NO siempre se aplican a la toma a tierra.

El terminal S3 dispone de 24 VCC frente al terminal S2. Entre S3 y S1, estos terminales no están aislados eléctricamente por el transformador u otro dispositivo.

Notas: 1. El diámetro de los cables debe cumplir la normativa local y nacional.

2. Los cables de alimentación y los que conectan la unidad interior y la exterior deben tener una resistencia mínima equiparable a los cables flexibles revestidos de policloropreno. (Diseño 60245 IEC 57)

3. Utilizar cables de alimentación de cobre.

4. Utilizar conductores con una capacidad de 300 V o superior para los cables de alimentación y los cables de conexión de la unidad interior / exterior.

5. Instale un cable de toma de tierra más largo que el resto de los cables.

6. Los cables de conexión de las unidades interior y exterior tienen distintas polaridades. Para realizar unos cableados correctos, compruebe que coincida el número de terminal (S1, S2, S3).

7. Los cables del mando a distancia deberán situarse alejados (5 cm, 2 pulgadas como mínimo) de los cables de alimentación, de modo que no se vean afectados por el ruido eléctrico generado por los cables de alimentación.

⚠ Atención:

No empalme nunca el cable de corriente o el cable de la conexión interior-exterior, de lo contrario se podrían provocar humo, un incendio o un fallo en la comunicación.

6. Trabajo eléctrico

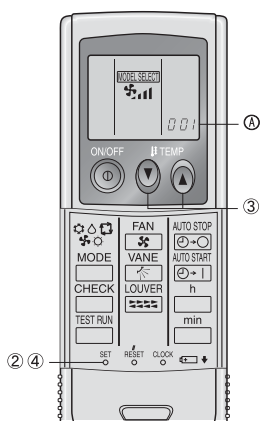


Fig. 6-7

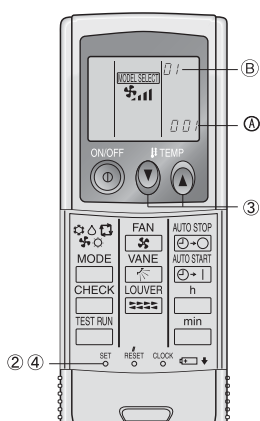


Fig. 6-8

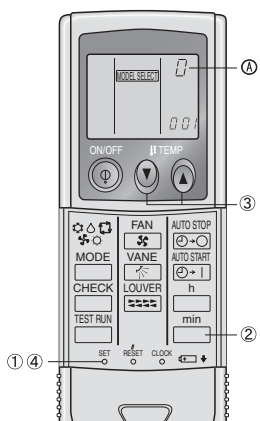


Fig. 6-9

6.2. Control remoto

Si utiliza un mando a distancia cableado junto con un mando a distancia inalámbrico, utilice el siguiente mando a distancia inalámbrico IR.

6.2.1. Para el controlador remoto cableado

1) Ajuste de dos controladores remotos cableados

Si hay dos controladores remotos cableados conectados, ajuste uno como "Principal" y el otro como "Subordinado". Para conocer los procedimientos de ajuste, consulte "Selección de función" en el manual de instrucciones de la unidad interior.

Nota:

Si conecta dos mandos a distancia cableados, asegúrese de utilizar el mismo modelo.

6.2.2. Para el controlador remoto inalámbrico por infrarrojos

1) Preparación inicial (Fig. 6-7)

- ① Introduzca las pilas.
- ② Pulse el botón SET con algún objeto puntiagudo.
El mensaje **MODEL SELECT** parpadea y se resalta el número de modelo (Model No.).
- ③ Pulse el botón **MODE** para seleccionar el número de modelo.
Si se ha equivocado al efectuar la operación, pulse el botón ON/OFF y vuelva a empezar desde el procedimiento ②.
- ④ Pulse el botón SET con algún objeto puntiagudo.
Los datos **MODEL SELECT** y el número de modelo se iluminan durante tres segundos y a continuación desaparecen.

Interior	Exterior	④ Número de modelo
PLA	Modelos con bomba de calor	001
	Modelos de refrigeración	033

2) Ajuste automático de la velocidad del ventilador (Para el controlador remoto inalámbrico por infrarrojos) (Fig. 6-8)

El ajuste se ha de efectuar en el controlador remoto inalámbrico por infrarrojos solo cuando el ventilador no está ajustado a la velocidad predeterminada. El ajuste no se ha de efectuar en el controlador remoto cableado cuando el ventilador está ajustado a la velocidad predeterminada.

- ① Pulse el botón SET con un objeto afilado.
Continúe la operación cuando se apague la pantalla del controlador remoto.
MODEL SELECT parpadea y se ilumina el nº de modelo **A**.
- ② Pulse el botón AUTO STOP.
MODEL SELECT parpadea y se ilumina el nº de ajuste **02**.
(ajuste nº 01: sin ventilador en velocidad automática)
- ③ Pulse los botones TEMP para poner el nº de ajuste 02.
(nº ajuste 02: con ventilador en velocidad automática)
Si se ha equivocado al efectuar la operación, pulse el botón ON/OFF y vuelva a empezar desde el procedimiento ②.
- ④ Pulse el botón SET con un objeto afilado.
MODEL SELECT y el nº de modelo se iluminan durante 3 segundos y a continuación se apagan.

3) Asignación de un controlador remoto inalámbrico por infrarrojos a cada unidad (Fig. 6-9)

Cada unidad responderá sólo al controlador remoto inalámbrico por infrarrojos asignado. Cerciórese de que cada controlador remoto inalámbrico por infrarrojos tenga el mismo código que la unidad interior que debe gobernar.

4) Operación de ajuste del número de par del controlador remoto inalámbrico por infrarrojos (Fig. 6-9)

- ① Pulse el botón SET con algún objeto puntiagudo.
Inicie el procedimiento con la pantalla de estado del controlador remoto inalámbrico por infrarrojos detenida.
El mensaje **MODEL SELECT** parpadeará y se iluminará el número de modelo (Model No.).
- ② Pulse el botón **min** dos veces seguidas.
El número "0" parpadeará.
- ③ Pulse el botón temp para seleccionar el número del par deseado.
Si se ha equivocado al efectuar la operación, pulse el botón ON/OFF y vuelva a empezar desde el procedimiento 2.
- ④ Pulse el botón SET con algún objeto puntiagudo.
El número del par seleccionado se enciende durante tres segundos y luego se apaga.

④ Número de par del controlador remoto inalámbrico por infrarrojos	Tarjeta PC interior
0	Ajuste de fábrica
1	Cut J41
2	Cut J42
3-9	Cut J41, J42

6. Trabajo eléctrico

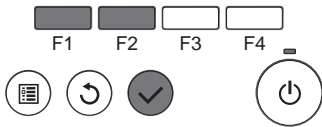
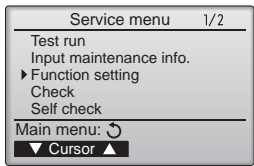


Fig. 6-10

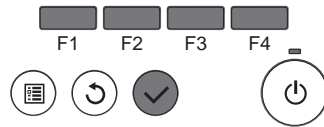
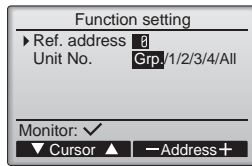


Fig. 6-11

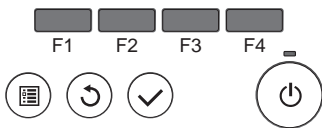
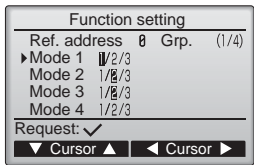


Fig. 6-12

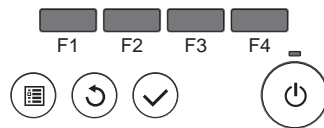
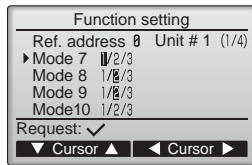


Fig. 6-13

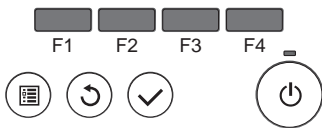
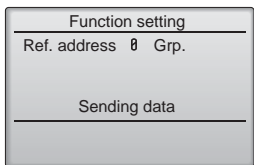


Fig. 6-14

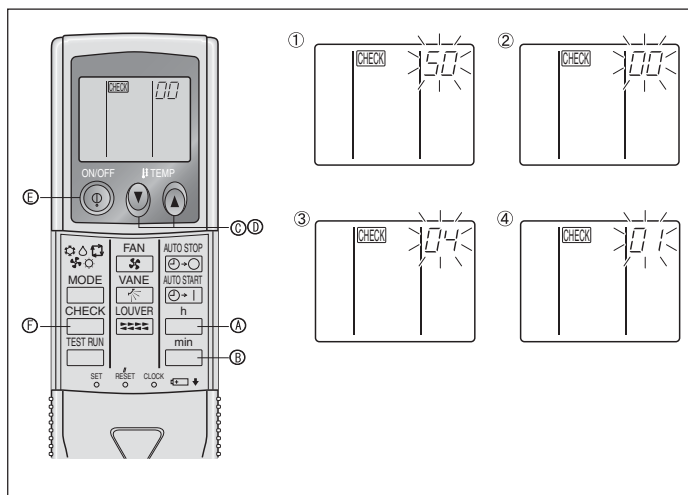


Fig. 6-15

6.3. Ajuste de funciones

6.3.1. Por medio del mando a distancia con cable

- ① (Fig. 6-10)
 - Seleccione "Service" (Revisión) desde el Menú principal, y pulse el botón [ACEPTAR].
 - Seleccione "Function settings" (Configuración de funciones) con el botón [F1] o [F2], y pulse el botón [ACEPTAR].
- ② (Fig. 6-11)
 - Establezca las direcciones del refrigerante de la unidad interior y los números de unidad con los botones [F1] a [F4] y luego pulse el botón [ACEPTAR] para confirmar el ajuste actual.

<Comprobar la Unidad interior nº>
 Cuando se pulse el botón [ACEPTAR], empezará a funcionar el ventilador de la unidad interior. Si la unidad es común o si están funcionando todas las unidades, empezará a funcionar el ventilador de todas las unidades interiores para la dirección de refrigerante seleccionada.

- ③ (Fig. 6-12)
 - Una vez completada la recopilación de datos de las unidades interiores, aparecen resaltados los ajustes actuales. Los elementos sin resaltar indican que no se ha realizado ninguna configuración de funciones. El aspecto de la pantalla varía en función de la configuración de "Nº Unid".
- ④ (Fig. 6-13)
 - Utilice el botón [F1] o [F2] para mover el cursor y seleccionar el número de modo, y cambie el número de ajuste con el botón [F3] o [F4].
- ⑤ (Fig. 6-14)
 - Una vez completados los ajustes, pulse el botón [ACEPTAR] para enviar los datos de configuración del controlador remoto a las unidades interiores.
 - Una vez completada la transmisión, se volverá a la pantalla Configuración de funciones.

6.3.2. Mando a distancia inalámbrico por infrarrojos (Fig. 6-15)

Cambio del ajuste de voltaje de alimentación

- Asegúrese de cambiar el ajuste de voltaje de alimentación de acuerdo al voltage que utilice.

① Vaya al modo de selección de función

Pulse el botón **CHECK** dos veces seguidas.

(Inicie esta operación con la pantalla de estado del controlador remoto inalámbrico por infrarrojos apagada).

CHECK se enciende y "00" parpadea.

Pulse el botón **TEMP** una vez para seleccionar "50". Apunte el controlador remoto inalámbrico por infrarrojos hacia el receptor de la unidad interior y pulse el botón **h** .

② Configuración del número de unidad

Pulse el botón **TEMP** y para seleccionar el número de unidad "00".

Apunte el controlador remoto inalámbrico por infrarrojos hacia el receptor de la unidad interior y pulse el botón **min** .

③ Cómo seleccionar un modo

Introduzca 04 para cambiar el ajuste de voltaje de alimentación con los botones

TEMP y . Apunte el controlador remoto inalámbrico por infrarrojos hacia el receptor de la unidad interior y pulse el botón **h** .

Número de configuración en uso:

- 1 = 1 pitido (un segundo)
- 2 = 2 pitidos (de un segundo cada uno)
- 3 = 3 pitidos (de un segundo cada uno)

④ Selección del número de ajuste

Utilice los botones **TEMP** y para cambiar el ajuste del voltaje de alimentación a 01 (240 V). Apunte el controlador remoto inalámbrico por infrarrojos

hacia el sensor de la unidad interior y pulse el botón **h** .

⑤ Para seleccionar múltiples funciones sucesivamente

Repita los pasos ③ y ④ para cambiar de manera sucesiva la configuración de funciones múltiples.

⑥ Para seleccionar la función completa

Apunte el controlador remoto inalámbrico por infrarrojos hacia el receptor de la unidad interior y pulse el botón **h** .

Nota:

Cada vez que se realicen cambios en los ajustes de función después de la instalación o mantenimiento, asegúrese de anotar los cambios con un cruz en la columna "Ajuste" de la tabla de funciones.

6.3.3. Ajuste de funciones en el controlador remoto

Consulte el manual de instrucciones correspondiente incluido con cada controlador.

6. Trabajo eléctrico

Tabla de funciones (Tabla 1)

Seleccione el número de unidad 00

Modo	Ajustes	Núm. de modo	Núm. de ajuste	Configuración inicial	Ajuste
Recuperación automática de fallo de alimentación	No disponible	01	1		
	Disponible *1		2	O *2	
Detección de la temperatura de la sala	Media de funcionamiento de la unidad interior	02	1	O	
	Ajustada por el control remoto de la unidad interior		2		
	Sensor interno del control remoto		3		
Conectividad LOSSNAY	No soportada	03	1	O	
	Soportada (la unidad interior no está equipada con entrada de aire del exterior)		2		
	Soportada (la unidad interior está equipada con entrada de aire del exterior)		3		
Voltaje de alimentación	230 V	04	1	O	
	208 V		2		

Seleccione los números de unidad 01 a 03 o todas las unidades (AL [controlador remoto alámbrico] / 07 [controlador remoto inalámbrico])

Modo	Ajustes	Núm. de modo	Núm. de ajuste	Configuración inicial	Ajuste
Señalización de filtro	100 horas	07	1		
	2500 horas		2	O	
	Sin indicador de señalización del filtro		3		
Velocidad del ventilador	Silencioso (techo bajo)	08	1		
	Normal		2	O	
	Techo alto		3		
Núm. de salidas de aire	4 direcciones	09	1	O	
	3 direcciones		2		
	2 direcciones		3		
Opciones instaladas (filtro de alta eficiencia)	No soportado	10	1	O	
	Soportado		2		
Ajuste de las aletas de movimiento vertical	Ajuste hacia abajo (Configuración del ángulo de las paletas ③)	11	1		
	Ajuste central (Configuración del ángulo de las paletas ①)		2	O	
	Ajuste sin corrientes		3		
	(Configuración del ángulo de las paletas ②) *4				
Posición del sensor 3D i-see	Posición ①	12 *3	1		
	Posición ②		2		
	Posición ③ (Por defecto)		3	O	
Ajuste de altura del techo para el sensor 3D i-see (al instalar el panel del sensor 3D i-see)	Techo bajo (altura del techo: inferior a 2,7 m, 8,9 pies)	26	1		
	Estándar (altura del techo: 2,7 – 3,5 m, 8,9 - 11,5 pies)		2	O	
	Techo alto (altura del techo: 3,5 – 4,5 m, 11,5 - 14,8 pies)		3		
Velocidad del ventilador mientras el termostato de refrigeración está desactivado	Ajustar la velocidad del ventilador	27	1	O	
	Parada		2		
	Extra baja		3		

*1 Cuando vuelva a haber corriente eléctrica, el acondicionador de aire se activará al cabo de 3 minutos o de 1 minuto (bisagra de la unidad exterior).

*2 El ajuste inicial de recuperación automática de fallo de alimentación depende de la unidad exterior conectada.

*3 Si ha cambiado la posición del panel angular del sensor 3D i-see, cambie este modo. Consulte la página 51.

*4 Dado que puede formarse condensación, no utilice este ajuste en lugares sometidos a altas temperaturas y humedad.

7. Prueba de funcionamiento

7.1. Antes de realizar las pruebas

- ▶ Después de la instalación de tubos y cables en las unidades interior y exterior, compruebe que no haya escapes de refrigerante, que no se haya aflojado ni la fuente de alimentación ni el cableado de control, que la polaridad no sea errónea y que no se haya desconectado ninguna fase de la alimentación.
- ▶ Utilice un megaohmímetro de 500 V para comprobar que la resistencia entre los bornes de alimentación y la tierra es como mínimo de 1,0 MΩ.

▶ No efectúe esta prueba en los bornes de los cables de control (circuito de bajo voltaje).

⚠ Atención:

No utilice el aire acondicionado si la resistencia de aislamiento es inferior a 1,0 MΩ.

7.2. Prueba de funcionamiento

7.2.1. Al usar el controlador remoto cableado

- Lea siempre el manual de instrucciones antes de realizar la prueba. (Especialmente los elementos para garantizar la seguridad)

Paso 1 Active el equipo.

- Controlador remoto: el sistema entra en el modo de inicio, y parpadean el indicador luminoso de alimentación del controlador remoto (verde) y el mensaje "PLEASE WAIT" (ESPERE, POR FAVOR). Mientras el indicador y el mensaje están parpadeando, no puede utilizarse el controlador remoto. Espere a que no se visualice "PLEASE WAIT" (ESPERE, POR FAVOR) antes de utilizar el controlador remoto. Una vez activado el equipo, se visualizará "PLEASE WAIT" (ESPERE, POR FAVOR) en pantalla durante unos 2 minutos.
- Cuadro del controlador interior: el LED 1 estará iluminado, el LED 2 estará iluminado (si la codificación es 0) o apagado (si la codificación no es 0), y el LED 3 parpadeará.
- Cuadro del controlador exterior: el LED 1 (verde) y el LED 2 (rojo) estarán iluminados. (Una vez finalizado el modo de inicio del sistema, el LED 2 se apagará). Si el cuadro del controlador exterior utiliza una pantalla digital, se visualizará alternativamente [-] y [-] cada segundo. Si las operaciones no funcionan correctamente después de realizar los procedimientos del paso 2 y posteriores, deben considerarse las siguientes causas y solucionarse si están presentes. (Los síntomas descritos a continuación aparecen durante el modo de prueba. La mención de "Startup" (Inicio) en la tabla se refiere a la pantalla de LEDs mencionada anteriormente).

Síntomas en el modo de prueba		Causa
Pantalla del controlador remoto	Pantalla de LEDs DEL CUADRO EXTERIOR < > indica pantalla digital.	
El controlador remoto muestra "PLEASE WAIT" (ESPERE, POR FAVOR) y no puede utilizarse.	Después de visualizarse "startup" (inicio), solo se ilumina el indicador verde. <00>	• Una vez activado el equipo, se visualiza "PLEASE WAIT" (ESPERE, POR FAVOR) durante 2 minutos mientras se inicia el sistema. (Normal)
Una vez activado el equipo, se visualiza "PLEASE WAIT" (ESPERE, POR FAVOR) durante 3 minutos y luego se visualiza un código de error.	Después de visualizarse "startup" (inicio), parpadean alternativamente los indicadores verde (una vez) y rojo (una vez). <F1>	• Conexión incorrecta del bloque de terminales exteriores (R, S, T y S ₁ , S ₂ , S ₃).
	Después de visualizarse "startup" (inicio), parpadean alternativamente los indicadores verde (dos veces) y rojo (dos veces). <F3, F5, F9>	• El conector del dispositivo de protección de la unidad exterior está abierto.
No se visualiza nada, aunque se haya activado el interruptor de funcionamiento del controlador remoto. (La luz de funcionamiento no se ilumina).	Después de visualizarse "startup" (inicio), parpadean alternativamente los indicadores verde (dos veces) y rojo (una vez). <EA, Eb>	• Cableado incorrecto entre la unidad interior y la exterior (polaridad incorrecta para S ₁ , S ₂ , S ₃ .)
	Después de visualizarse "startup" (inicio), solo se ilumina el indicador verde. <00>	• El cable de transmisión del controlador remoto es corto.
La pantalla se activa pero se desactiva enseguida, aunque se utilice el controlador remoto.	Después de visualizarse "startup" (inicio), solo se ilumina el indicador verde. <00>	• No existe ninguna unidad exterior con codificación 0. (La codificación es distinta a 0).
		• El cable de transmisión del controlador remoto está abierto.
		• Después de cancelar la selección de funciones, no podrá utilizarse el equipo durante unos 30 segundos. (Normal)

Paso 2 Seleccione "Test run" (Modo prueba) desde el controlador remoto.

- 1 Seleccione "Test run" (Modo prueba) desde el Menú principal, y pulse el botón [ACEPTAR]. (Fig. 7-1)
- 2 Seleccione "Test run" (Modo prueba) desde el menú Modo prueba, y pulse el botón [ACEPTAR]. (Fig. 7-2)
- 3 Se inicia la prueba, y se visualiza la pantalla Modo prueba.

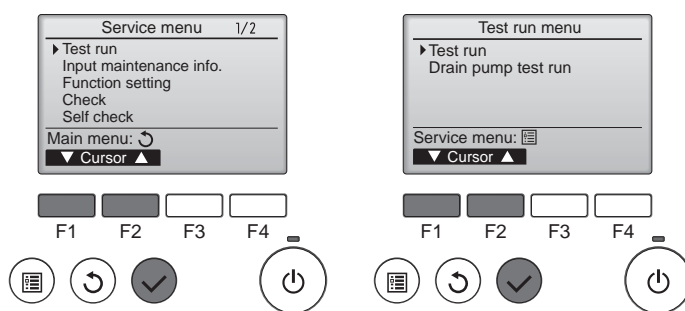


Fig. 7-1

Fig. 7-2

Paso 3 Realice la prueba y compruebe la temperatura del flujo de aire y el sistema automático de desviación del aire.

- 1 Pulse el botón [F1] para cambiar el modo de funcionamiento. (Fig. 7-3)
Modo de refrigeración: compruebe si sale aire frío de la unidad.
Modo de calefacción: compruebe si sale aire caliente de la unidad.
- 2 Pulse el botón [ACEPTAR] para visualizar la pantalla de funcionamiento Lama, y luego pulse los botones [F1] y [F2] para comprobar el sistema automático de desviación del aire. (Fig. 7-4)
Pulse el botón [VOLVER] para volver a la pantalla Modo prueba.

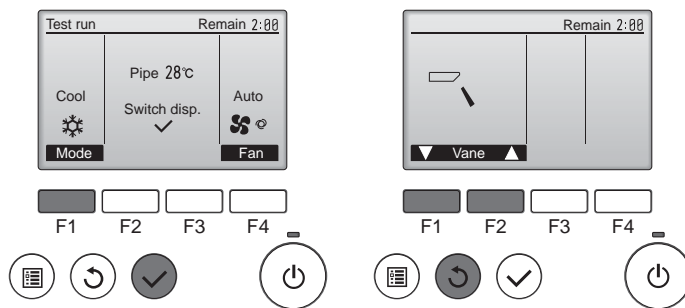


Fig. 7-3

Fig. 7-4

7. Prueba de funcionamiento

Paso 4 Confirme el funcionamiento del ventilador de la unidad exterior.

La velocidad del ventilador de la unidad exterior se controla para vigilar el rendimiento de la unidad. Dependiendo del aire del entorno, el ventilador girará a velocidad lenta y seguirá girando a dicha velocidad a menos que el rendimiento sea insuficiente. Por lo tanto, el viento exterior puede provocar que el ventilador deje de girar o que gire en dirección contraria, pero esto no indica un problema.

Paso 5 Detenga la prueba.

① Pulse el botón [ENCENDIDO/APAGADO] para detener la prueba. (Aparecerá el menú Modo prueba).

Nota: si se visualiza un error en el controlador remoto, consulte la tabla siguiente.

LCD	Descripción del funcionamiento defectuoso	LCD	Descripción del funcionamiento defectuoso	LCD	Descripción del funcionamiento defectuoso
P1	Error del sensor de admisión	P9	Error del sensor del tubo (tubo de pared doble)	E0 – E5	Error de comunicación entre el controlador remoto y la unidad interior
P2	Error del sensor del tubo (tubo del líquido)	PA	Error de fuga (sistema de refrigerante)		
P4	Conector de conmutación del flotador de drenaje desconectado (CN4F)	PB (Pb)	Error en el motor del ventilador de la unidad interior		
		PL	Circuito de refrigeración anómalo		
P5	Funcionamiento de la protección contra desbordamiento de drenaje	FB	Error del cuadro del controlador interior	E6 – EF	Error de comunicación entre la unidad interior y la exterior
P6	Funcionamiento de la protección contra congelación/sobrecalentamiento	U*, F* (* indica un carácter alfanumérico excepto FB).	Funcionamiento anómalo de la unidad exterior. Consulte el diagrama de cableado para la unidad exterior.		
P8	Error de temperatura del tubo				

Consulte en la tabla siguiente los detalles de la pantalla de LEDs (LED 1, 2 y 3) en el cuadro del controlador interior.

LED1 (alimentación del microordenador)	Indica si se suministra alimentación de control. Compruebe que este LED esté siempre iluminado.
LED2 (alimentación del controlador remoto)	Indica si el controlador remoto cableado recibe alimentación. El LED solo se ilumina para la unidad interior conectada a la unidad exterior con una codificación 0.
LED3 (comunicación entre la unidad interior/exterior)	Indica si las unidades interior y exterior se comunican entre sí. Compruebe que este LED esté siempre parpadeando.

Nota:

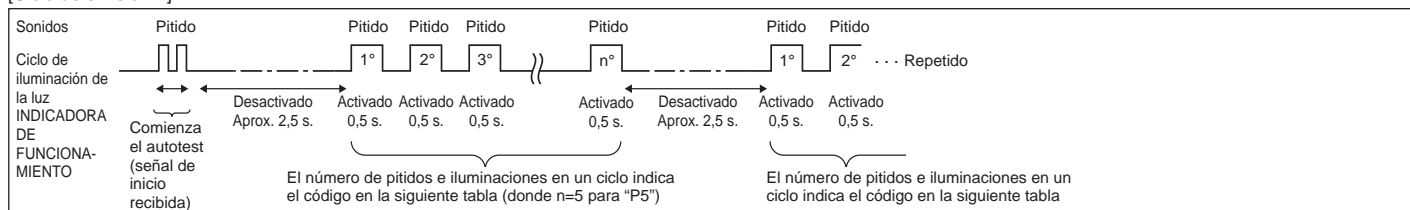
Si la unidad se utiliza de manera continua durante una prueba de funcionamiento, se detendrá al cabo de 2 horas.

7.3. Autotest

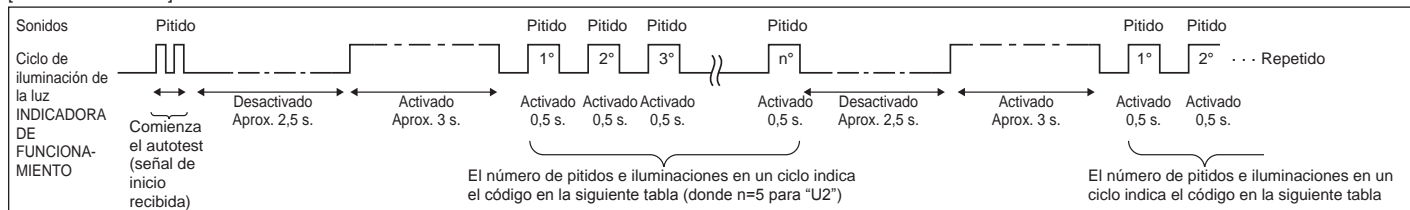
■ Consulte el manual de instalación suministrado con cada controlador remoto para obtener más información.

• Para más información sobre los códigos de comprobación, consulte las siguientes tablas. (Controlador remoto inalámbrico)

[Ciclo de emisión A]



[Ciclo de emisión B]



7. Prueba de funcionamiento

[Ciclo de emisión A] Errores detectados por la unidad interior

Controlador remoto inalámbrico	Controlador remoto cableado	Síntoma	Observaciones
Pitido/se ilumina la luz INDICADORA DE FUNCIONAMIENTO (número de veces)	Código de comprobación		
1	P1	Error del sensor de admisión	
2	P2	Error del sensor del tubo (TH2)	
	P9	Error del sensor del tubo (TH5)	
3	E6, E7	Error de comunicación con unidad interior/exterior	
4	P4	Error del sensor de drenaje/Conector del interruptor de flotador abierto	
5	P5	Error de la bomba de drenaje	
	PA	Error del compresor forzado	
6	P6	Funcionamiento de seguridad por helada/sobrecalentamiento	
7	EE	Error de comunicación entre unidades interior y exterior	
8	P8	Error de temperatura del tubo	
9	E4	Error de recepción de señal del controlador remoto	
10	—	—	
11	PB (Pb)	Error en el motor del ventilador de la unidad interior	
12	FB (Fb)	Error del sistema de control de la unidad interior (error de memoria, etc.)	
14	PL	Circuito de refrigeración anómalo	
Sin sonido	E0, E3	Error de transmisión del controlador remoto	
Sin sonido	E1, E2	Error del panel de control del controlador remoto	
Sin sonido	— — — —	No corresponde	

[Ciclo de emisión B] Errores detectados por una unidad distinta de la unidad interior (unidad exterior, etc.)

Controlador remoto inalámbrico	Controlador remoto cableado	Síntoma	Observaciones
Pitido/se ilumina la luz INDICADORA DE FUNCIONAMIENTO (número de veces)	Código de comprobación		
1	E9	Error de comunicación de la unidad interior/exterior (error de transmisión) (unidad exterior)	Para información detallada, compruebe la pantalla de LEDs del cuadro del controlador exterior.
2	UP	Interrupción del compresor por sobrecorriente	
3	U3, U4	Apertura/corte de termostatos de la unidad exterior	
4	UF	Interrupción por sobrecorriente del compresor (si el compresor está bloqueado)	
5	U2	Temperatura de descarga anormalmente alta/49C funcionó/refrigerante insuficiente	
6	U1, Ud	Presión anormalmente alta (63H funcionó)/Funcionamiento de seguridad por sobrecalentamiento	
7	U5	Temperatura anormal del cuerpo de refrigeración	
8	U8	Parada de seguridad del ventilador de la unidad exterior	
9	U6	Interrupción del compresor por sobrecorriente/Anomalía en el módulo de alimentación	
10	U7	Anomalía de sobrecalentamiento debido a una baja temperatura de descarga	
11	U9, UH	Anomalía (tensión demasiado alta o baja, señal asíncrona anormal al circuito principal)/Error del sensor de corriente	
12	—	—	
13	—	—	
14	Otros	Otros errores (consulte el manual técnico de la unidad exterior).	

*1 Si tras los dos pitidos iniciales que confirman la recepción de la señal de inicio del autotest no hay más pitidos y la luz INDICADORA DE FUNCIONAMIENTO no se enciende, no habrá errores registrados.

*2 Si suenan tres pitidos consecutivos "piip, piip, piip (0,4 + 0,4 + 0,4 segundos)" tras los dos pitidos iniciales que confirman la recepción de la señal de inicio del autotest, la dirección de refrigerante especificada no es correcta.

• Controlador remoto inalámbrico

Se oye un pitido continuo desde la sección receptora de la unidad interior.

La luz de funcionamiento parpadea

• Controlador remoto cableado

Compruebe el código que aparece en la LCD.

7. Prueba de funcionamiento

• Si no se puede activar la unidad adecuadamente después de haberse llevado a cabo la ejecución de prueba, consulte la tabla siguiente para suprimir la causa.

Síntoma		Causa
Controlador remoto cableado	LED 1, 2 (tarjeta de circuito impreso en unidad exterior)	
PLEASE WAIT	Durante aproximadamente 2 minutos después del encendido.	Se iluminan los LED 1 y 2 y, a continuación, el LED 2 se apaga y sólo queda encendido el LED 1. (Funcionamiento correcto)
PLEASE WAIT → Código de error	Aproximadamente 2 minutos después de haber finalizado el encendido.	Sólo se ilumina el LED 1. → Los LED 1 y 2 parpadean.
NO aparecen mensajes en pantalla aunque se active el interruptor de funcionamiento (la luz de funcionamiento no se enciende).		Sólo se ilumina LED 1. → El LED 1 parpadea dos veces y el LED 2 una.

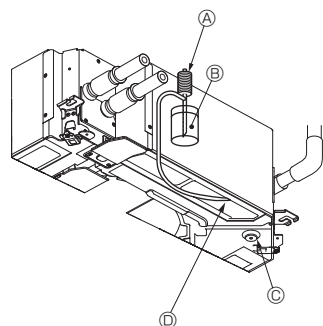
Si sucede lo que se ha indicado anteriormente:

- No se acepta ninguna señal procedente del controlador remoto.
- La luz FUNCIONAMIENTO parpadea.
- Se emite un pitido breve.

Nota:

No se puede utilizar durante aproximadamente 30 segundos después de cancelar la selección de funciones. (Funcionamiento correcto)

Para la descripción de cada uno de los LED (LED 1, 2, 3) de los controladores interiores, consulte la página 47.



- Ⓐ Bomba de alimentación de agua
 - Ⓑ Agua (aprox. 1000cc, 1/4 gal.)
 - Ⓒ Tapón de drenaje
 - Ⓓ Vaciado de agua por la salida
- Tenga cuidado de que no caiga agua en el mecanismo de la bomba de drenaje.

Fig. 7-5

7.4. Comprobación del drenaje (Fig. 7-5)

- Compruebe que el agua se drena correctamente y que no hay fugas en las juntas.

Si el trabajo eléctrico está terminado.

- Vacíe agua durante el funcionamiento de refrigeración de la prueba de funcionamiento (consulte el apartado 7.2.) y efectúe la comprobación.

Si el trabajo eléctrico no está terminado.

- Vacíe agua durante el funcionamiento de emergencia y efectúe la comprobación.
- * El depósito de drenaje y el ventilador se activan simultáneamente al conectar la tensión monofásica de 220-240 V en S1 y S2 del bloque de terminales después de activar (ON) el conector (SWE) del cuadro del controlador que hay en la caja de componentes eléctricos.

Asegúrese de devolverlo a su posición original al finalizar el trabajo.

8. Sistema de control

Consulte el manual de instalación de la unidad exterior.

9. Instalación de la rejilla

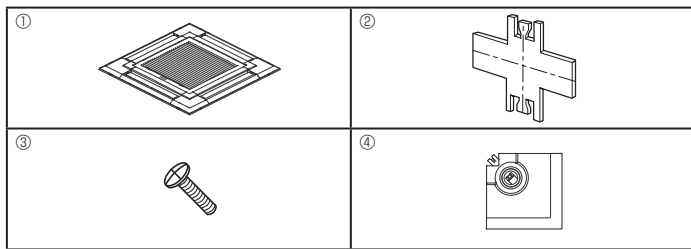


Fig. 9-1

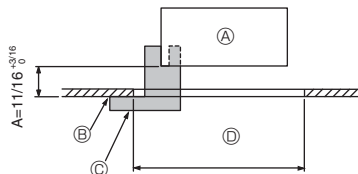


Fig. 9-2

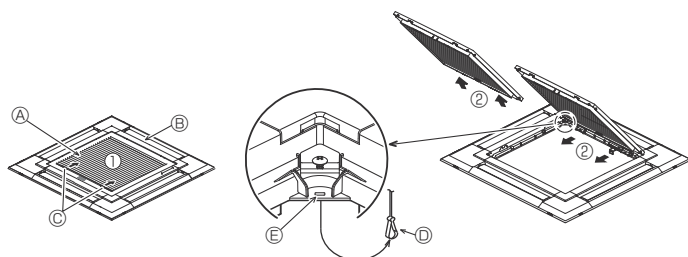


Fig. 9-3

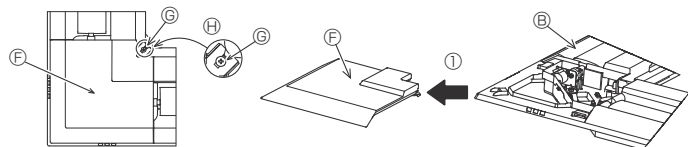
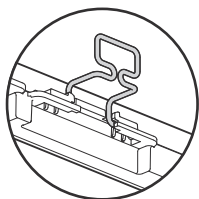


Fig. 9-4

	4 direcciones	3 direcciones
Patrones de la dirección de circulación	1 patrón: Ajuste de fábrica 	4 patrones: Una salida de aire completamente cerrada
Patrones de la dirección de circulación	2 direcciones	
Patrones de la dirección de circulación	6 patrones: 2 salidas de aire completamente cerradas 	

Table 1

<El gancho está levantado>



<El gancho está bajado>

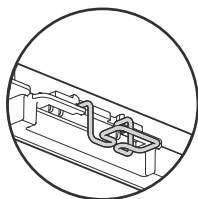


Fig. 9-5

9.1. Comprobación de los contenidos (Fig. 9-1)

- Este equipo contiene este manual y las siguientes piezas.

	Nombre accesorio	Cantidad	Forma
①	Dimensiones de la rejilla	1	950 × 950 (mm), 37-3/8 × 37-3/8 (pulgadas)
②	Calibre de instalación	1	(Dividido en 4 partes)
③	Tornillo (4 × 16)	1	para PLP-40EAU, PLP-40EAEU
④	Panel angular del i-see sensor	1	para PLP-40EAEU

9.2. Preparación para conectar la rejilla (Fig. 9-2)

- Con el calibre ② que se entrega con este equipo, ajuste y compruebe la posición de la unidad principal en relación con la superficie del techo. Si la unidad principal no está colocada en el techo de forma adecuada, podrían producirse escapes de aire o generarse condensación.

- Asegúrese de que la abertura del techo está dentro de los siguientes límites: 860 × 860 - 910 × 910 mm, 33-7/8 × 33-7/8 a 35-13/16 × 35-13/16 pulgadas
- Asegúrese de que el paso A se realiza en 17-22 mm, 11/16 a 7/8 pulgadas. Si no se respeta este margen, podrían producirse graves daños.

- Ⓐ Unidad principal
- Ⓑ Superficie del techo
- Ⓒ Calibre de instalación ② (insertado en la unidad principal)
- Ⓓ Dimensiones de apertura del techo

9.2.1. Extracción de la rejilla de admisión (Fig. 9-3)

- Deslice las palancas en la dirección indicada mediante la flecha ① para abrir la rejilla de admisión.

- Quite el gancho que fija la rejilla.

* No quite el gancho de la rejilla de admisión.

- Con la rejilla de admisión en posición "abierta", extraiga la bisagra de la rejilla de admisión de la rejilla tal y como se indica mediante la flecha ②.

9.2.2. Extracción del panel angular (Fig. 9-4)

- Afloje los 4 tornillos de la esquina. Deslice el panel angular en la dirección indicada por la flecha ① de la imagen y retírelo.

[Fig.9-3] [Fig.9-4]

- Ⓐ Rejilla de admisión
- Ⓑ Rejilla ①
- Ⓒ Palancas de la rejilla de admisión
- Ⓓ Gancho de la rejilla
- Ⓔ Orificio para el gancho de la rejilla
- Ⓕ Panel angular
- Ⓖ Tornillo
- Ⓗ Detalle

9.3. Selección de las salidas de aire

Para esta rejilla, la dirección de expulsión puede seleccionarse entre 11 modalidades. También es posible, estableciendo los valores adecuados en el control remoto, ajustar la corriente de aire y su velocidad. Seleccione los valores adecuados en la Table 1 de acuerdo con el lugar en que vaya a instalar la unidad. (Deben seleccionarse más de dos direcciones).

- Elija una modalidad de expulsión.

- Asegúrese de establecer los valores adecuados en el mando a distancia de acuerdo con el número de salidas de aire y de la altura del techo donde se va a instalar la unidad principal. (Véase la página 45.)

Notas:

- Cuando cambie el número de direcciones, necesitará una placa de cierre de la salida de aire, que es un componente opcional.
- No seleccione 2 direcciones en entornos cálidos y húmedos. (Podrían formarse gotas de condensación).

9.4. Instalación de la rejilla

9.4.1. Preparación (Fig. 9-5)

- Levante siempre los 2 ganchos de la rejilla.

9. Instalación de la rejilla

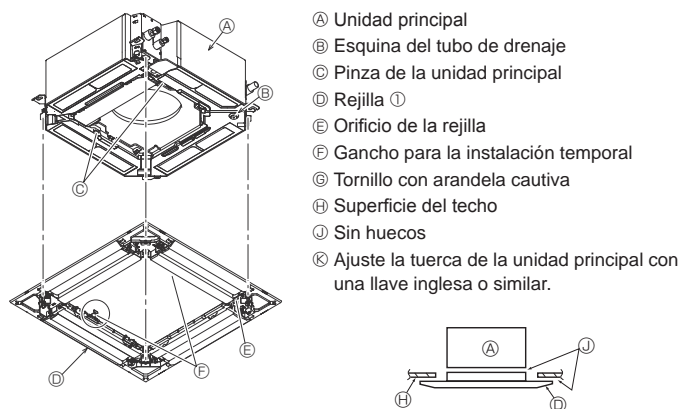


Fig. 9-6

< Instalación temporal de la rejilla >

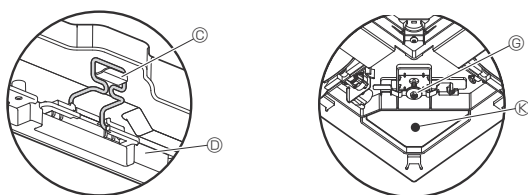


Fig. 9-7

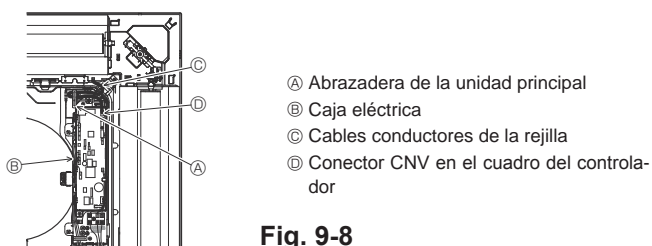


Fig. 9-8

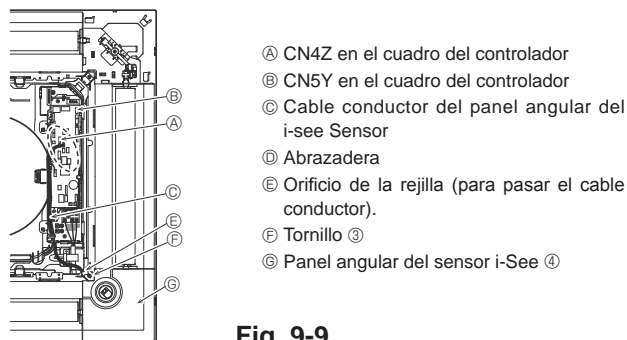


Fig. 9-9

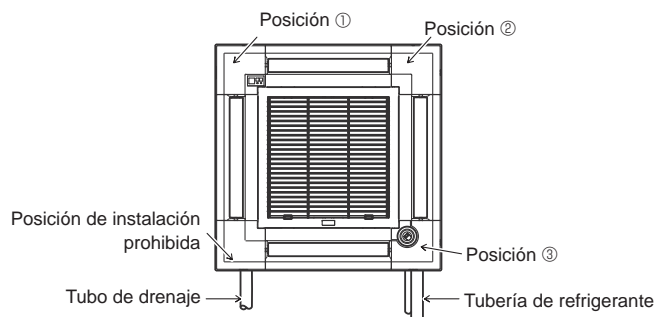


Fig. 9-10

- Ⓐ Unidad principal
- Ⓑ Esquina del tubo de drenaje
- Ⓒ Pinza de la unidad principal
- Ⓓ Rejilla ①
- Ⓔ Orificio de la rejilla
- Ⓕ Gancho para la instalación temporal
- Ⓖ Tornillo con arandela cautiva
- Ⓗ Superficie del techo
- Ⓙ Sin huecos
- Ⓚ Ajuste la tuerca de la unidad principal con una llave inglesa o similar.

9.4.2. Instalación provisional de la rejilla (Fig. 9-6)

- Junte la esquina del tubo de drenaje de la unidad principal con la esquina agujereada de la rejilla y únalos temporalmente colgando el gancho de la rejilla en la pinza de la unidad principal.

9.4.3. Sujetar la rejilla

- Sujete la rejilla a la unidad principal apretando los tornillos preinstalados. (Fig. 9-6)
Nota:
Compruebe que no haya ningún hueco entre la unidad principal y la rejilla, ni entre la rejilla y la superficie del techo. (Fig. 9-7)

Si hay algún hueco entre la rejilla y el techo:

Con la rejilla colocada, ajuste ligeramente la altura de instalación de la unidad principal y corrija el hueco.

⚠ Precaución:

- Cuando apriete el tornillo, hágalo con un par de apriete de 2,8 N·m a 3,6 N·m, 2,1 a 2,6 pies-libras. No utilice nunca un destornillador por percusión.
- Después de apretar el tornillo, confirme que los dos ganchos de la rejilla (Fig. 9-6) estén sujetos en los ganchos de la unidad principal.

9.4.4. Conexión de los cables (Fig. 9-8)

- Afloje los 2 tornillos que sujetan la cubierta de la caja eléctrica de la unidad principal, y luego deslice la cubierta para abrirla.
- Pase el cable conductor desde un lado de la caja eléctrica.
- Conecte siempre un conector para el motor de las paletas (blanco, 20 polos) al conector CNV (blanco) en el cuadro del controlador de la unidad principal.
- Los cables conductores que salen de la rejilla deben mantenerse unidos y tensos utilizando una abrazadera en la caja eléctrica.

9.4.5. Instalación del panel angular del i-see Sensor (Fig. 9-9)

- Pase el cable conductor desde el lateral de la caja eléctrica.
- Pase el conector del cable conductor (blanco, 4 polos y blanco, 5 polos) del panel angular del i-see Sensor ④ desde el lateral de la caja eléctrica de la unidad principal y conéctelo a los conectores CN4Z y CN5Y del cuadro del controlador.
- El resto del cable conductor del panel angular del i-see Sensor debe mantenerse unido y tenso utilizando la abrazadera de la caja eléctrica.
- Vuelva a colocar la cubierta en la caja eléctrica con 2 tornillos.
Nota:
Compruebe que los cables no queden atrapados en la cubierta de la caja eléctrica.
- El panel angular del i-see Sensor debería fijarse en la rejilla ① con el tornillo ③.
- * Si la posición del i-see Sensor se ha cambiado de la posición por defecto (Posición ③) a la otra posición, cambie la configuración de funciones. (Consulte la página 45 y la Fig. 9-10)
- El panel angular del i-see Sensor no puede instalarse en el lateral del tubo de drenaje de la unidad principal. (Consulte la Fig. 9-10)

Posición ①: (Marcas de identificación de la salida de aire □/□□□)

Posición ②: (Marcas de identificación de la salida de aire □/□)

Posición ③: Posición por defecto del i-see Sensor (marcas de identificación de la salida de aire □□/□□)

9. Instalación de la rejilla

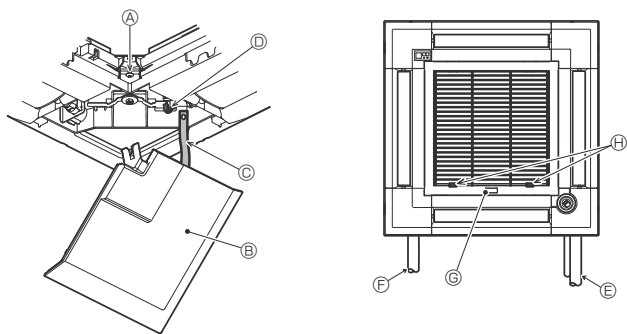


Fig. 9-11

9.5. Instalación de la rejilla de admisión (Fig. 9-11)

Nota:

Cuando vuelva a instalar los paneles angulares (con una cinta de seguridad colocada en cada uno), conecte el otro extremo de cada cinta de seguridad a la rejilla, tal como se muestra en la ilustración.

- * Si los paneles angulares no están colocados firmemente, pueden caerse cuando la unidad principal esté funcionando.
- Invierta el procedimiento descrito en el apartado "9.2. Preparación para conectar la rejilla" para instalar la rejilla de admisión y el panel angular.
- La dirección de la rejilla de admisión puede cambiarse de acuerdo con las preferencias del cliente.

- Ⓐ Tornillo (4 × 16)
- Ⓑ Panel angular
- Ⓒ Cinta de seguridad
- Ⓓ Gancho
- Ⓔ Tubo de refrigerante
- Ⓕ Tubo de drenaje
- Ⓖ Logotipo de la empresa

* Puede instalarse en cualquier posición.

Ⓜ Posición inicial de las palancas en la rejilla de admisión

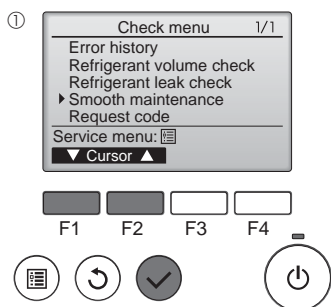
* Aunque los clips pueden instalarse en cualquiera de las 4 posiciones, se recomienda la configuración mostrada aquí. (No es necesario retirar la rejilla de admisión cuando realice el mantenimiento en la caja eléctrica de la unidad principal).

10. Función de mantenimiento fácil

Los datos de mantenimiento, como la temperatura del intercambiador de calor de la unidad interior/exterior y la corriente de funcionamiento del compresor, pueden visualizarse mediante el "Smooth maintenance" (mantenimiento suave).

* No puede ejecutarse durante la prueba de funcionamiento.

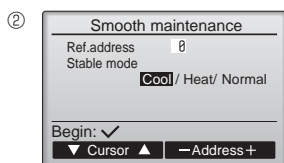
* Según la combinación con la unidad exterior, esta función puede no ser compatible con algunos modelos.



- Seleccione "Service" (Revisión) desde el Main menu (Menú principal), y pulse el botón [ACEPTAR].

- Seleccione "Check" (Comprobación) con el botón [F1] o [F2], y pulse el botón [ACEPTAR].

- Seleccione "Smooth maintenance" (mantenimiento suave) con el botón [F1] o [F2], y pulse el botón [ACEPTAR].



Seleccione cada uno de los elementos

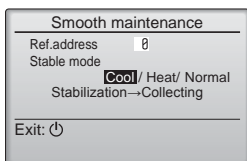
- Seleccione el elemento que desea cambiar con el botón [F1] o [F2].

- Seleccione el ajuste correspondiente con el botón [F3] o [F4].

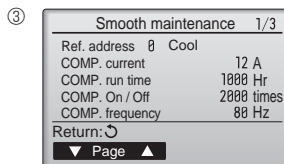
Ajuste "Ref. address" (Codificación) "0" - "15"
Ajuste "Stable mode" (Modo estable) "Cool" (Frío) / "Heat" (Calor) / "Normal"

- Pulse el botón [ACEPTAR], con lo que se iniciará el funcionamiento fijo.

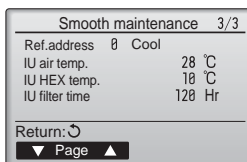
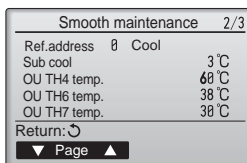
* Stable mode (Modo estable) se prolongará durante unos 20 minutos.



Aparecerán los datos de funcionamiento.



El tiempo de funcionamiento acumulado del compresor ("COMP. run" (Func. COMP.)) se expresa en unidades de 10 horas, y el número de veces que se ha puesto en funcionamiento el compresor ("COMP. On/Off" (COMP. encendido/apagado)) se expresa en unidades de 100 veces (se omiten las fracciones)



Navegación por las pantallas

- Para volver al Menú principal..... Botón [MENÚ]
- Para volver a la pantalla anterior Botón [VOLVER]

This product is designed and intended for use in the residential,
commercial and light-industrial environment.

Please be sure to put the contact address/telephone number on
this manual before handing it to the customer.



MITSUBISHI ELECTRIC CORPORATION

HEAD OFFICE: TOKYO BUILDING, 2-7-3, MARUNOUCHI, CHIYODA-KU, TOKYO 100-8310, JAPAN