



CITY MULTI

Air-Conditioners For Building Application

HEAT SOURCE UNIT

PQHY-P-T(S)HMU-A(-BS)

PQHY-P-Y(S)HMU-A(-BS)

PQRY-P-T(S)HMU-A(-BS)

PQRY-P-Y(S)HMU-A(-BS)

For use with R410A

INSTALLATION MANUAL

For safe and correct use, please read this installation manual thoroughly before installing the air-conditioner unit.

GB

MANUEL D'INSTALLATION

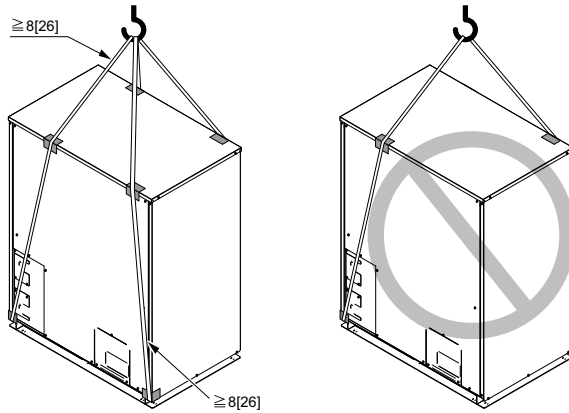
Veuillez lire le manuel d'installation en entier avant d'installer ce climatiseur pour éviter tout accident et vous assurer d'une utilisation correcte.

F

6

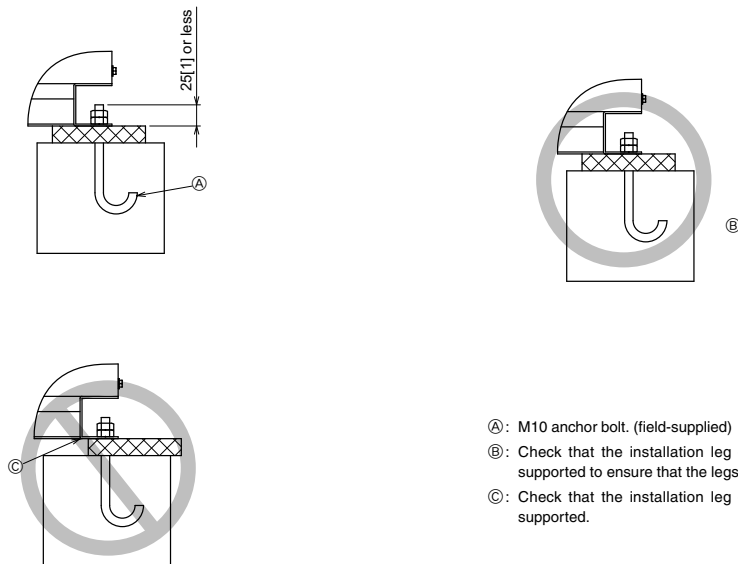
(Unit: mm [in])

[Fig. 6.0.1]
 ① P72 ~ P120

**7****7.1**

(Unit: mm [in])

[Fig. 7.1.1]

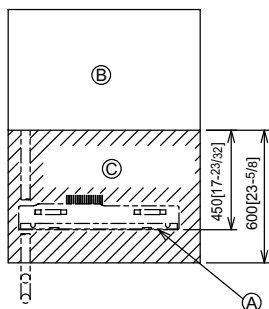


- Ⓐ: M10 anchor bolt. (field-supplied)
- Ⓑ: Check that the installation leg corners are securely supported to ensure that the legs do not bend.
- Ⓒ: Check that the installation leg corners are securely supported.

7**7.2**

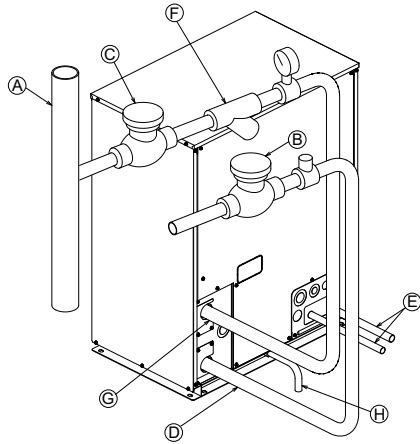
(Unit: mm [in])

[Fig. 7.2.1]



- Ⓐ: Clearance for removing the control box
- Ⓑ: Heat source unit
- Ⓒ: Service space (front)

[Fig. 8.1.1]



- Ⓐ : Main circulating water pipe
- Ⓑ : Shutoff valve
- Ⓒ : Shutoff valve
- Ⓓ : Water outlet (lower)
- Ⓔ : Refrigerant pipes
- Ⓕ : Y-type strainer
- Ⓖ : Water inlet (upper)
- Ⓗ : Drain pipe

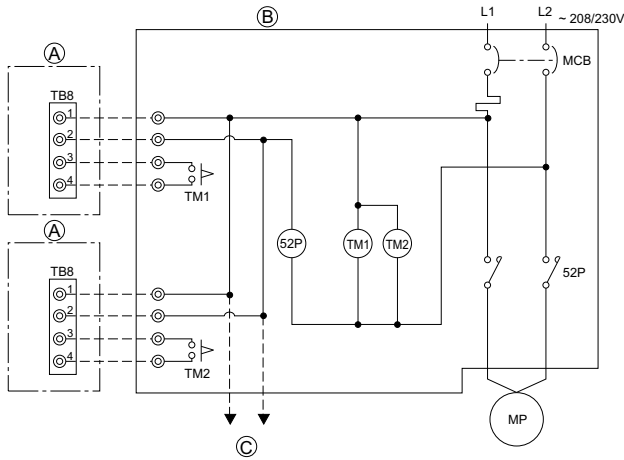
Heat source unit sample installation

[Fig. 8.4.1]



- Ⓐ : Short-circuit wire (Connected before delivery from manufacturer)
- Ⓑ : Pump interlock circuit connection

[Fig. 8.4.2]

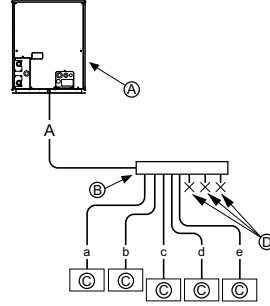
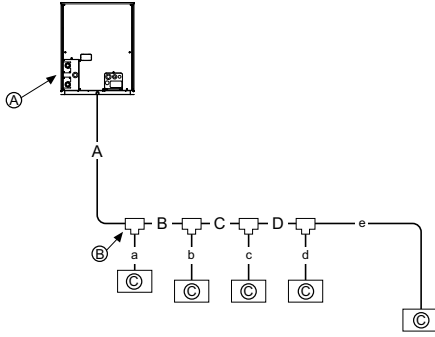


- Ⓐ : Heat source unit
- Ⓑ : Control panel (field-supplied)
- Ⓒ : To next heat source unit

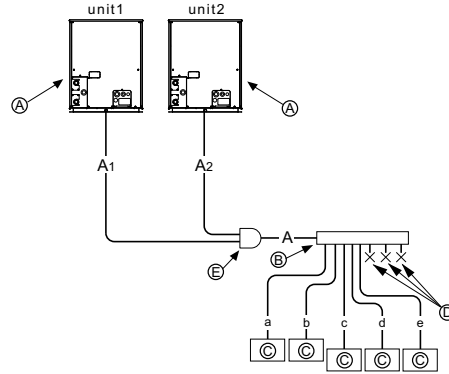
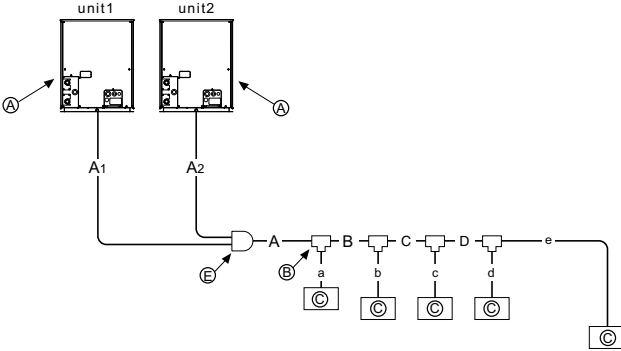
Terminal No.	TB8-1, 2	
Output	Relay contacts output	Rated voltage: 3~ 208/230V Rated load: 1A
Operation	<ul style="list-style-type: none"> • When Dip switch 2-7 is OFF. The relay closes during compressor operation. • When DIP switch 2-7 is ON. The relay closes during reception of cooling or the heating operation signal from the controller. (Note: It outputs even if the thermostat is OFF (when the compressor is not operating).)	

[Fig. 9.2.1]

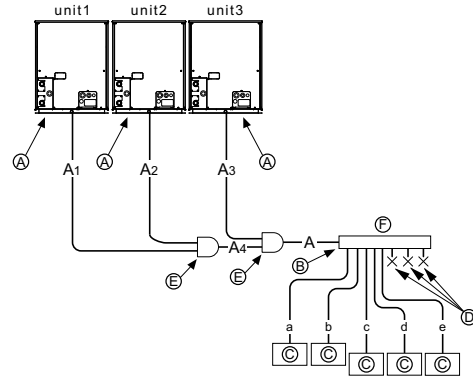
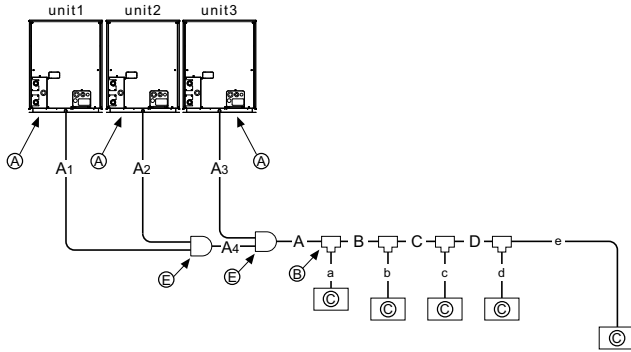
[PQHY-P72/96/120 THMU-A / YHMU-A]



[PQHY-P144/168/192/216/240 TSHMU-A / YSHMU-A]



[PQHY-P264/288/312/336/360 THMU-A / YHMU-A]

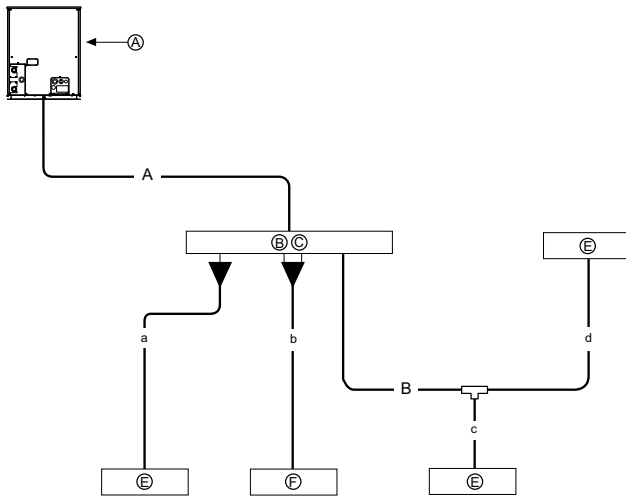


- Ⓐ Heat source unit
- Ⓑ 1st branch
- Ⓒ Indoor unit
- Ⓓ Cap
- Ⓔ Heat source twinning kit
- Ⓕ Header

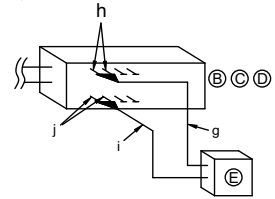
* The total length of A₁ (A₂), A₃ and A₄ is less than 10 m [32 ft].

[Fig. 9.2.2]

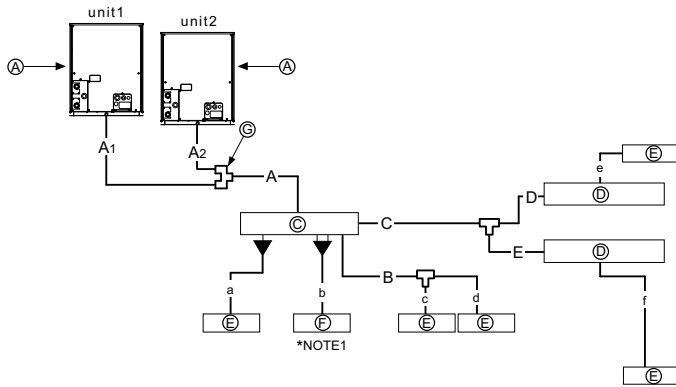
[PQRY-P72/96/120 THMU-A / YHMU-A]



(*NOTE 1)



[PQRY-P144/168/192/216/240 TSHMU-A / YSHMU-A]



*NOTE1

- Ⓐ: Heat source unit
- Ⓑ: BC controller (standard)
- Ⓒ: BC controller (main)
- Ⓓ: BC controller (sub)
- Ⓔ: Indoor unit (06 ~ 54)
- Ⓕ: Indoor unit (72 ~ 96)
- Ⓖ: Heat source twinning kit

PQHY-P-T(S)HMU-A, PQHY-P-Y(S)HMU-A

A

(Unit: mm [in])

[A] Heat source model	Unit combination			A		A1 *1		A2 *1		A3 *1	
	unit 1	unit 2	unit 3	[B] Liquid Side	[C] Gas Side	[B] Liquid Side	[C] Gas Side	[B] Liquid Side	[C] Gas Side	[B] Liquid Side	[C] Gas Side
P72	-	-	-	ø9.52[3/8]	ø19.05[3/4]	-	-	-	-	-	-
P96	-	-	-	*1 ø9.52[3/8]	ø22.2[7/8]	-	-	-	-	-	-
P120	-	-	-	*2 ø9.52[3/8]	ø22.2[7/8]	-	-	-	-	-	-
P144	P72	P72	-	ø12.7[1/2]	ø28.58[1-1/8]	ø9.52[3/8]	ø19.05[3/4]	ø9.52[3/8]	ø19.05[3/4]	-	-
P168	P96	P72	-	ø15.88[5/8]	ø28.58[1-1/8]	ø9.52[3/8]	ø22.2[7/8]	ø9.52[3/8]	ø22.2[7/8]	-	-
P192	P96	P96	-	ø15.88[5/8]	ø28.58[1-1/8]	ø9.52[3/8]	ø22.2[7/8]	ø9.52[3/8]	ø22.2[7/8]	-	-
P216	P120	P96	-	ø15.88[5/8]	ø28.58[1-1/8]	ø12.7[1/2]	ø22.2[7/8]	ø12.7[1/2]	ø22.2[7/8]	-	-
P240	P120	P120	-	ø15.88[5/8]	ø28.58[1-1/8]	ø12.7[1/2]	ø22.2[7/8]	ø12.7[1/2]	ø22.2[7/8]	-	-
P264	P96	P96	P72	ø19.05[3/4]	ø34.93[1-3/8]	ø9.52[3/8]	ø22.2[7/8]	ø9.52[3/8]	ø22.2[7/8]	ø9.52[3/8]	ø22.2[7/8]
P288	P96	P96	P96	ø19.05[3/4]	ø34.93[1-3/8]	ø9.52[3/8]	ø22.2[7/8]	ø9.52[3/8]	ø22.2[7/8]	ø9.52[3/8]	ø22.2[7/8]
P312	P120	P96	P96	ø19.05[3/4]	ø34.93[1-3/8]	ø12.7[1/2]	ø22.2[7/8]	ø12.7[1/2]	ø22.2[7/8]	ø12.7[1/2]	ø22.2[7/8]
P336	P120	P120	P96	ø19.05[3/4]	ø41.28[1-5/8]	ø12.7[1/2]	ø22.2[7/8]	ø12.7[1/2]	ø22.2[7/8]	ø12.7[1/2]	ø22.2[7/8]
P360	P120	P120	P120	ø19.05[3/4]	ø41.28[1-5/8]	ø12.7[1/2]	ø22.2[7/8]	ø12.7[1/2]	ø22.2[7/8]	ø12.7[1/2]	ø22.2[7/8]

*1 ø12.7 [1/2] for over 90m

*2 ø12.7 [1/2] for over 40m

*3 The pipe sizes listed in columns A1 to A3 in this table correspond to the sized for the models listed in the unit 1, 2, and 3 columns. When the order of the models for unit 1, 2, and 3 change, make sure to use the appropriate pipe size.

PQRY-P-T(S)HMU-A, PQRY-P-Y(S)HMU-A

A

(Unit: mm [in])

[A] Heat source model	Unit combination			A		A1 *1		A2 *1		A3 *1	
	unit 1	unit 2	unit 3	[D] High press.Side	[E] Low press.Side	[D] High press.Side	[E] Low press.Side	[D] High press.Side	[E] Low press.Side	[D] High press.Side	[E] Low press.Side
P72	-	-	-	ø15.88[5/8]	ø19.05[3/4]	-	-	-	-	-	-
P96	-	-	-	ø19.05[3/4]	ø22.2[7/8]	-	-	-	-	-	-
P120	-	-	-	ø19.05[3/4]	ø22.2[7/8]	-	-	-	-	-	-
P144	P72	P72	-	ø22.2[7/8]	ø28.58[1-1/8]	ø15.88[5/8]	ø19.05[3/4]	ø15.88[5/8]	ø19.05[3/4]	-	-
P168	P96	P72	-	ø22.2[7/8]	ø28.58[1-1/8]	ø19.05[3/4]	ø22.2[7/8]	ø15.88[5/8]	ø19.05[3/4]	-	-
P192	P96	P96	-	ø22.2[7/8]	ø28.58[1-1/8]	ø19.05[3/4]	ø22.2[7/8]	ø19.05[3/4]	ø22.2[7/8]	-	-
P216	P120	P96	-	ø28.58[1-1/8]	ø28.58[1-1/8]	ø19.05[3/4]	ø22.2[7/8]	ø19.05[3/4]	ø22.2[7/8]	-	-
P240	P120	P120	-	ø28.58[1-1/8]	ø28.58[1-1/8]	ø19.05[3/4]	ø22.2[7/8]	ø19.05[3/4]	ø22.2[7/8]	-	-

PQHY-P-T(S)HMU-A, PQHY-P-Y(S)HMU-A

B, C, D

(Unit: mm [in])

[F] Total capacity of indoor units	[G] Liquid pipe	[H] Gas pipe
~ 54	ø9.52[3/8]	ø15.88[5/8]
55 ~ 72	ø9.52[3/8]	ø19.05[3/4]
73 ~ 108	ø9.52[3/8]	ø22.2[7/8]
109 ~ 144	ø12.7[1/2]	ø28.58[1-1/8]
145 ~ 240	ø15.88[5/8]	ø28.58[1-1/8]
241 ~ 308	ø19.05[3/4]	ø34.93[1-3/8]
309 ~	ø19.05[3/4]	ø41.28[1-5/8]

a, b, c, d, e

(Unit: mm [in])

[I] Model number	[B] Liquid pipe	[C] Gas pipe
06, 08, 12, 15, 18	ø6.35[1/4]	ø12.7[1/2]
24, 27, 30, 36, 48, 54	ø9.52[3/8]	ø15.88[5/8]
72	ø9.52[3/8]	ø19.05[3/4]
96	ø9.52[3/8]	ø22.2[7/8]

[J] Downstream unit model total	[M] Joint
~ 72	CMY-Y102S-G2
73 ~ 144	CMY-Y102S-L2
145 ~ 240	CMY-Y202-G2
[K] The 1st branch of P144 ~ P240	
240 ~	CMY-Y302-G2
[L] The 1st branch of P264 ~ P360	

[A] Heat source model	[Q] Heat source twinning kit
P144 ~ P240	CMY-Y100VBK2
P264 ~ P360	CMY-Y300VBK2

[N] 4-Branch header (Downstream indoor unit model total ≤ 72)	[O] 8-Branch header (Downstream indoor unit model total ≤ 144)	[P] 10-Branch header (Downstream indoor unit model total ≤ 234)
CMY-Y104-G	CMY-Y108-G	CMY-Y1010-G

PQRY-P-T(S)HMU-A, PQRY-P-Y(S)HMU-A

B

(Unit: mm [in])

[F] Total capacity of indoor units	[G] Liquid pipe	[H] Gas pipe
~ 80	ø9.52[3/8]	ø15.88[5/8]

C, D

(Unit: mm [in])

[J] Downstream unit model total	[R] High-pressure gas pipe	[S] Low-pressure gas pipe	[G] Liquid pipe
~ 72	ø15.88[5/8]	ø19.05[3/4]	ø9.52[3/8]
73 ~ 108	ø19.05[3/4]	ø22.2[7/8]	ø9.52[3/8]
109 ~ 126	ø19.05[3/4]	ø28.58[1-1/8]	ø12.7[1/2]
127 ~ 144	ø22.2[7/8]	ø28.58[1-1/8]	ø12.7[1/2]
145 ~ 168	ø22.2[7/8]	ø28.58[1-1/8]	ø15.88[5/8]

a, b, c, d, e

(Unit: mm [in])

[I] Model number	[G] Liquid pipe	[H] Gas pipe
06, 08, 12, 15, 18	ø6.35[1/4]	ø12.7[1/2]
24, 27, 30, 36, 48, 54	ø9.52[3/8]	ø15.88[5/8]
72	ø9.52[3/8]	ø19.05[3/4]
96	ø9.52[3/8]	ø22.2[7/8]

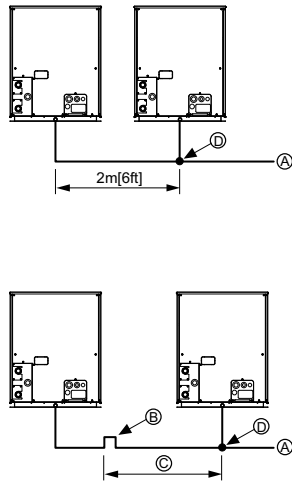
g, h, i, j

(Unit: mm [in])

[I] Model number	[G] Liquid pipe		[H] Gas pipe	
	g	h	i	j
36	ø9.52[3/8]	ø9.52[3/8]	ø15.88[5/8]	ø15.88[5/8]
48	ø9.52[3/8]	ø9.52[3/8]	ø15.88[5/8]	ø15.88[5/8]
54	ø9.52[3/8]	ø9.52[3/8]	ø15.88[5/8]	ø15.88[5/8]
72	ø9.52[3/8]	ø9.52[3/8]	ø19.05[3/4]	ø15.88[5/8]
96	ø9.52[3/8]	ø9.52[3/8]	ø22.2[7/8]	ø15.88[5/8]

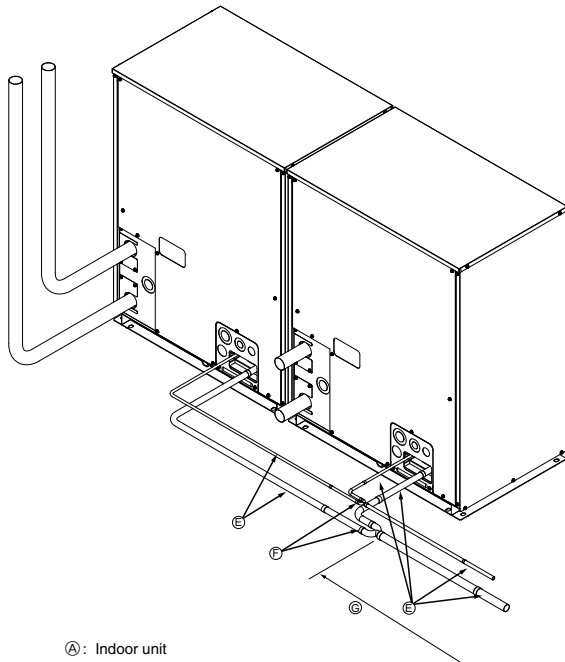
[A] Heat source model	[Q] Heat source twinning kit
P144 ~ P240	CMY-Q100VBK

[Fig. 9.2.3]



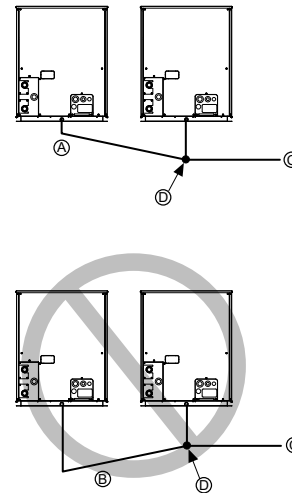
<A> When the piping (from the twinning pipe) exceeds 2m [6ft], include a trap (gas pipe only) within 2m [6ft]. Make sure the height of the trap is 200mm [7-7/8 in] or more. If there is no trap, oil can accumulate inside the pipe, causing a shortage of oil damaging the compressor. (for PQHY-P-TSHMU-A / YSHMU-A)

 Example of piping connection (for PQHY-P-TSHMU-A / YSHMU-A)



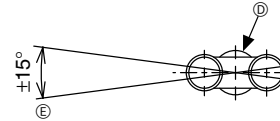
- (A) Indoor unit
- (B) Trap (gas pipe only)
- (C) Within 2 m [6ft]
- (D) Twinning pipe
- (E) Field-supplied piping
- (F) Twinning kit
- (G) Straight pipe length that is 500mm [19-11/16 in] or more

[Fig. 9.2.4]

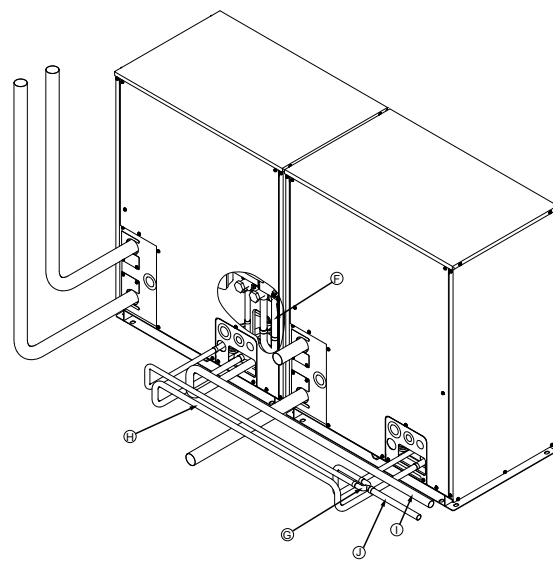


<A> The piping from the heat source units to twinning pipe must be made to slope downwards the twinning pipe. (both the liquid and the gas side for PQHY-P-TSHMU-A / YSHMU-A, the high-pressure side only for PQRY-P-TSHMU-A / YSHMU-A)

 Slope of twinning pipes (for PQHY-P-TSHMU-A / YSHMU-A)
Make sure the slope of the twinning pipes are at an angle within $\pm 15^\circ$ to the horizontal plane. If the slope exceeds the angle specified, the unit may be damaged.



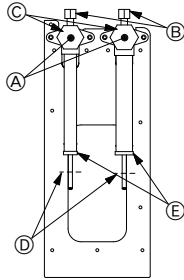
<C> Example of piping connection (for PQRY-P-TSHMU-A / YSHMU-A)



- (A) Slope downward
- (B) Slope upward
- (C) BC controller (standard or main)
- (D) Twinning pipe
- (E) Slope of the twinning pipe is at an angle within $\pm 15^\circ$ to the ground
- (F) Twinning pipe (low-pressure side)
- (G) Twinning pipe (high-pressure side)
- (H) Field-supplied piping (low-pressure connecting pipe: between heat source units)
- (I) Field-supplied piping (low-pressure main pipe: to BC controller)
- (J) Field-supplied piping (high-pressure main pipe: to BC controller)

[Fig. 10.2.1]

- <A> Service valve for refrigerant
(Liquid side/brazed for PQHY-P.T(S)HMU-A / Y(S)HMU-A)
(High-pressure side/brazed for PQRYP.T(S)HMU-A / Y(S)HMU-A)
- Service valve for refrigerant
(Gas side/brazed for PQHY-P.T(S)HMU-A / Y(S)HMU-A)
(Low-pressure side/brazed for PQRYP.T(S)HMU-A / Y(S)HMU-A)



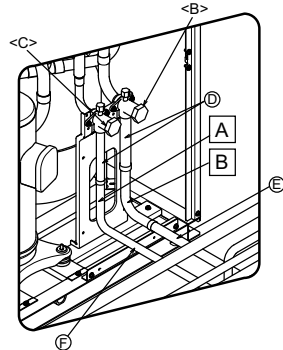
- Ⓐ: Shaft
- Ⓑ: Service port
- Ⓒ: Cap
- Ⓓ: Pinched connecting pipe severing portion
- Ⓔ: Pinched connecting pipe brazing portion

[Fig. 10.2.2]

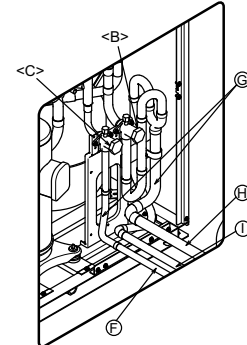
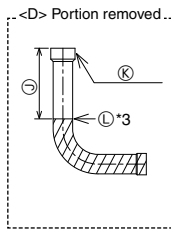
No.	①	②	③	④
Ⓐ Shape	ID15.88 [5/8] ID19.05 [3/4]	ID19.05 [3/4] ID25.4 [1]	ID22.2 [7/8] ID25.4 [1]	OD25.4 [1] ID19.05 [3/4]
PQHY-P72THMU-A / YHMU-A	-	1 Gas side	-	1 Gas side
PQHY-P96THMU-A / YHMU-A	-	-	1 Gas side	-
PQHY-P120THMU-A / YHMU-A	-	-	1 Gas side	-
PQRYP72THMU-A / YHMU-A	1 <C> High-pressure side	1 Low-pressure side	-	-
PQRYP96THMU-A / YHMU-A	-	-	1 Low-pressure side	1 <C> High-pressure side
PQRYP120THMU-A / YHMU-A	-	-	1 Low-pressure side	1 <C> High-pressure side

<A> Front pipe

Ⓑ Without a low-pressure twinning pipe



Ⓒ With a low-pressure twinning pipe (PQRYP.TSHMU-A / YSHMU-A ONLY) *1,*2



<A> Front pipe

 Low-pressure side PQRYP.T(S)HMU-A / Y(S)HMU-A (Gas side PQHY-P.T(S)HMU-A / Y(S)HMU-A)

<C> High-pressure side PQRYP.T(S)HMU-A / Y(S)HMU-A (Liquid side PQHY-P.T(S)HMU-A / Y(S)HMU-A)

<D> Portion removed (see figure)

- Ⓐ Shape
- Ⓓ Refrigerant service valve pipes
- Ⓒ Twinning kit (sold separately)
- Ⓗ Field-supplied piping (low-pressure connecting pipe: to BC controller)
- Ⓘ Field-supplied piping (low-pressure connecting pipe: to heat source unit)
- Ⓚ 75 mm [2-31/32 in] (reference)
- *1 To attach the Twinning pipe (sold separately), refer to the instructions included in the kit.
- *2 Connection pipe is not used when the Twinning kit is attached.
- *3 Use a pipe cutter to sever.

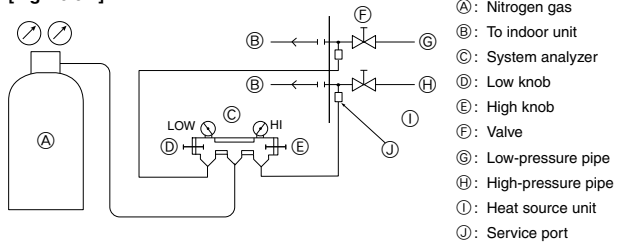
- Ⓑ Without a low-pressure twinning pipe
- Ⓔ Field-supplied piping (low-pressure connecting pipe)

- Ⓒ With a low-pressure twinning pipe (PQRYP.TSHMU-A / YSHMU-A ONLY)
- Ⓕ Field-supplied piping (high-pressure connecting pipe)

Ⓛ Portion removed

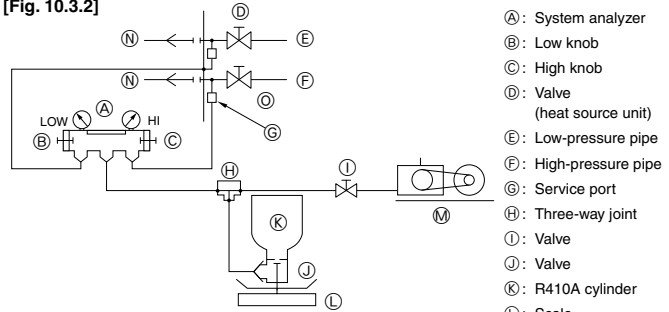
10.3

[Fig. 10.3.1]



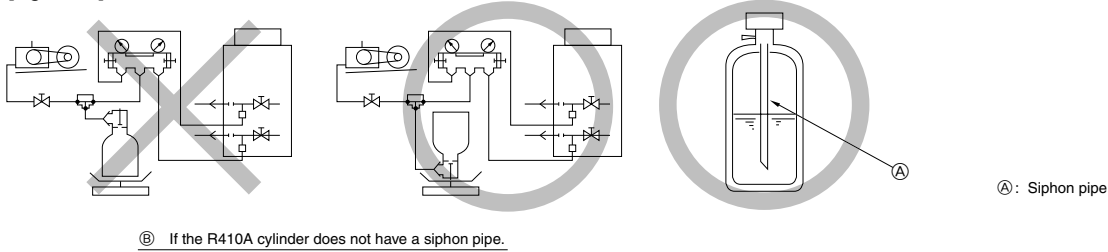
- Ⓐ: Nitrogen gas
- Ⓑ: To indoor unit
- Ⓒ: System analyzer
- Ⓓ: Low knob
- Ⓔ: High knob
- Ⓕ: Valve
- Ⓖ: Low-pressure pipe
- Ⓗ: High-pressure pipe
- Ⓘ: Heat source unit
- Ⓝ: Service port

[Fig. 10.3.2]



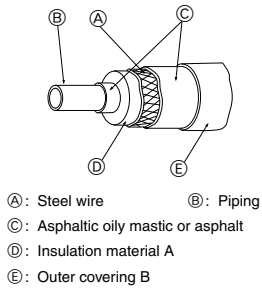
- Ⓐ: System analyzer
- Ⓑ: Low knob
- Ⓒ: High knob
- Ⓓ: Valve
- Ⓔ: (heat source unit)
- Ⓕ: Low-pressure pipe
- Ⓖ: High-pressure pipe
- Ⓗ: Service port
- Ⓘ: Three-way joint
- Ⓝ: Valve
- Ⓞ: Valve
- Ⓚ: R410A cylinder
- Ⓛ: Scale
- Ⓜ: Vacuum pump
- Ⓝ: To indoor unit
- Ⓞ: Heat source unit

[Fig. 10.3.3]



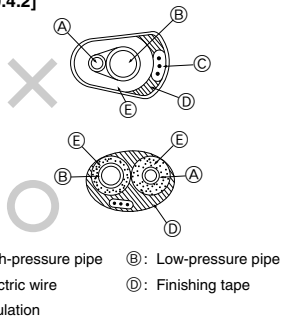
10.4

[Fig. 10.4.1]



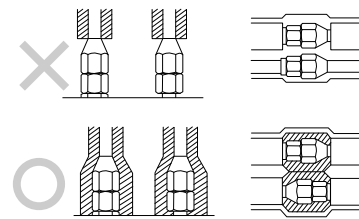
- Ⓐ: Steel wire
- Ⓑ: Piping
- Ⓒ: Asphaltic oily mastic or asphalt
- Ⓓ: Insulation material A
- Ⓔ: Outer covering B

[Fig. 10.4.2]

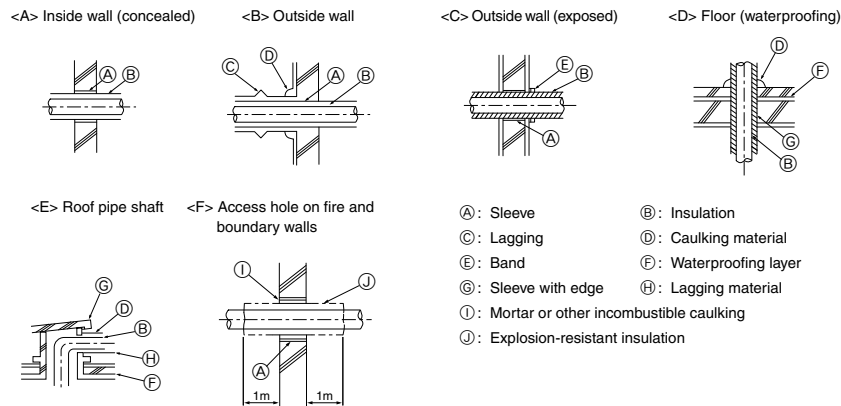


- Ⓐ: High-pressure pipe
- Ⓑ: Low-pressure pipe
- Ⓒ: Electric wire
- Ⓓ: Finishing tape
- Ⓔ: Insulation

[Fig. 10.4.3]

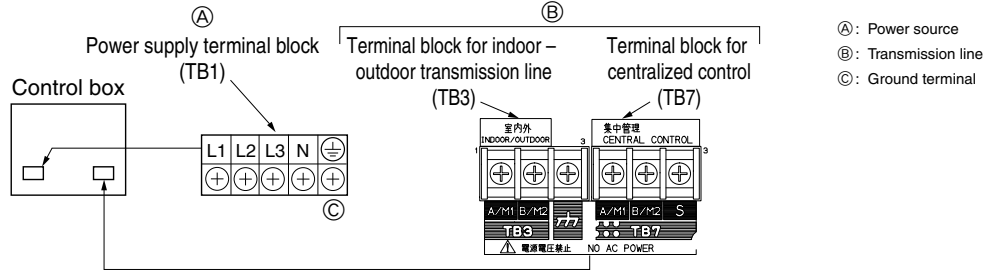


[Fig. 10.4.4]



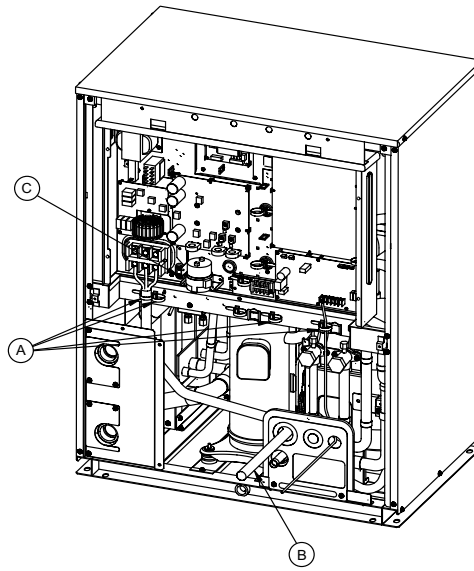
- Ⓐ: Sleeve
- Ⓑ: Insulation
- Ⓒ: Lagging
- Ⓓ: Caulking material
- Ⓔ: Band
- Ⓕ: Waterproofing layer
- Ⓖ: Sleeve with edge
- Ⓗ: Lagging material
- Ⓘ: Mortar or other incombustible caulking
- Ⓝ: Explosion-resistant insulation

[Fig. 11.2.1]



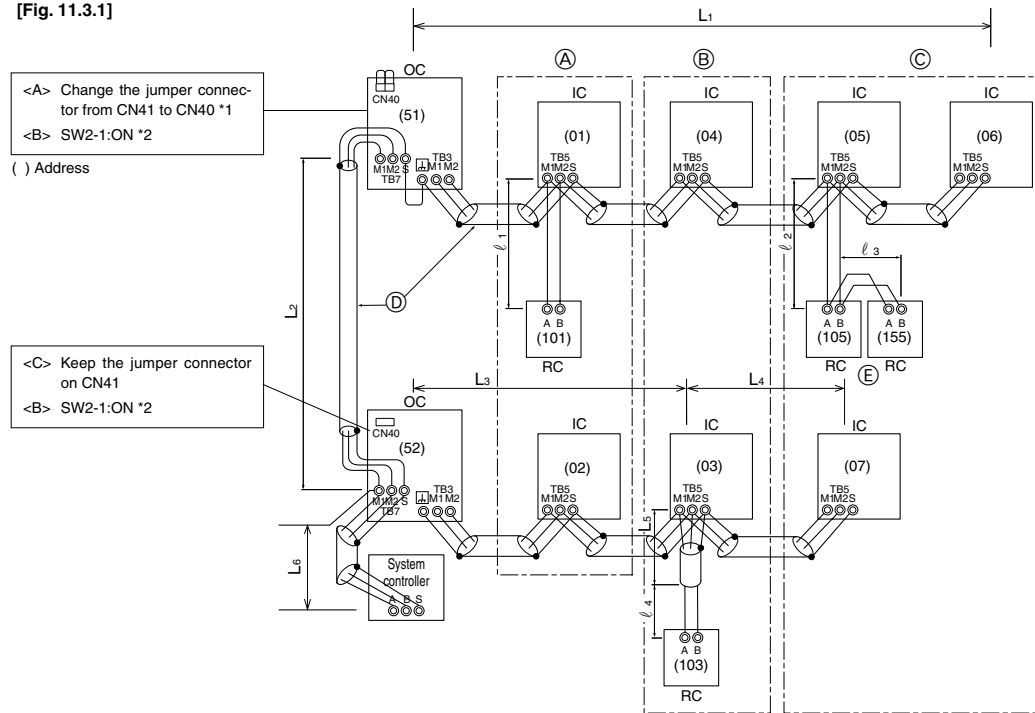
[Fig. 11.2.2]

- Ⓐ: Cable strap
- Ⓑ: Power source cable
- Ⓒ: Ground terminal for field wiring connection



11.3

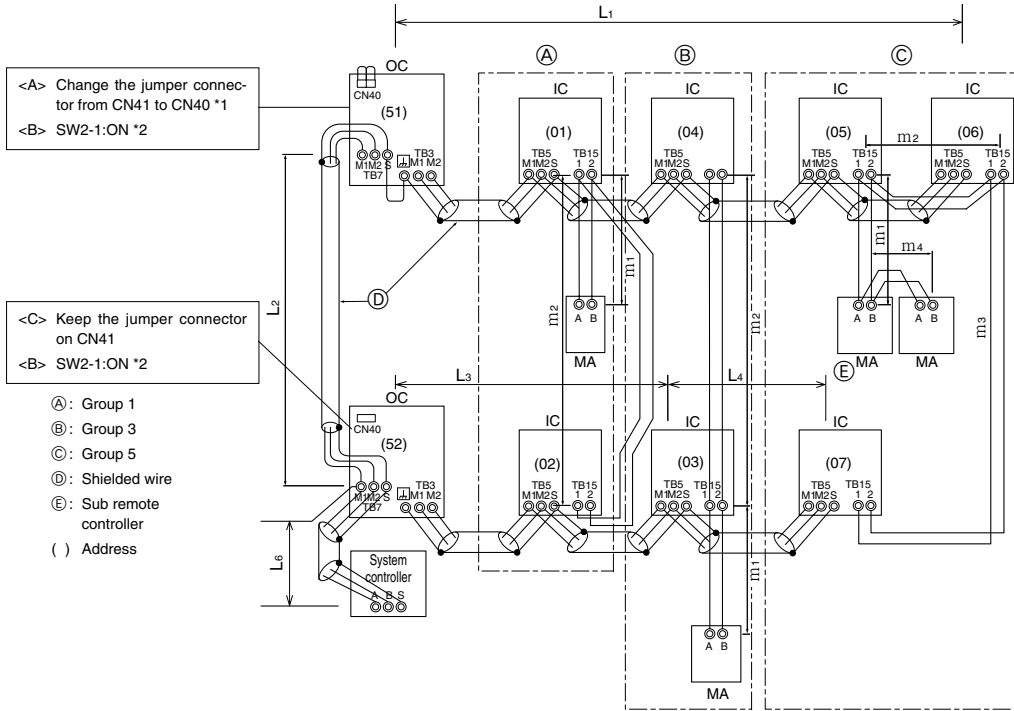
[Fig. 11.3.1]



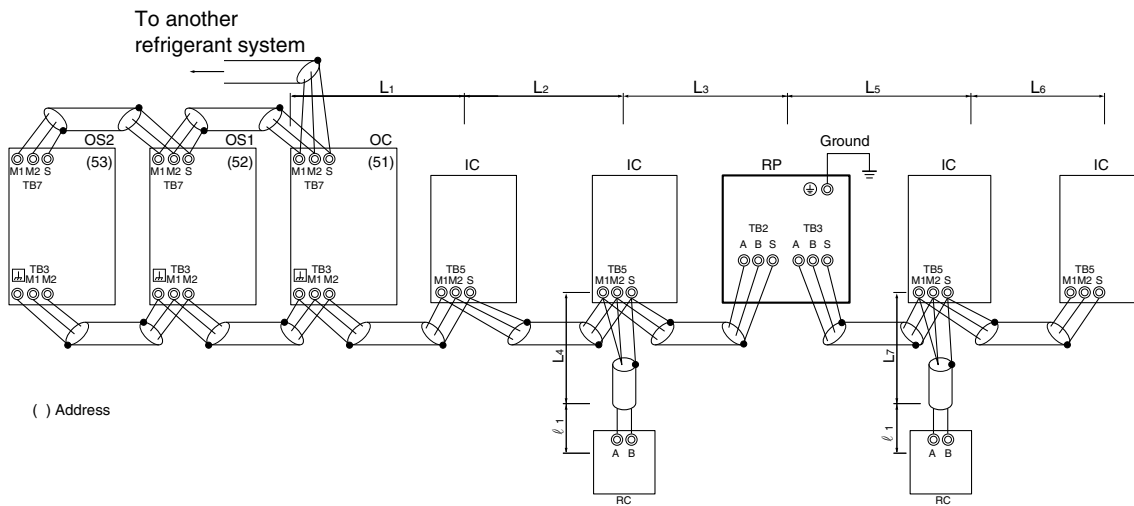
*1: When the power supply unit is not connected to the transmission line for centralized control, disconnect the male power supply connector (CN41) from ONE heat source unit in the system and connect it to CN40.

*2: If a system controller is used, set SW2-1 on all of the heat source units to ON.

[Fig. 11.3.2]



[Fig. 11.3.3]

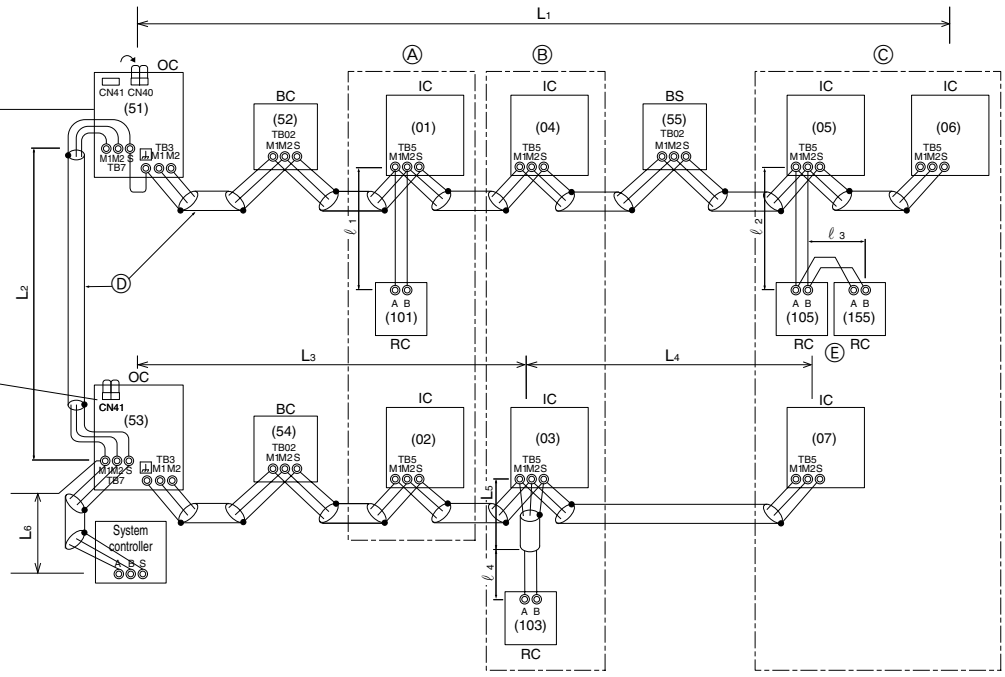


[Fig. 11.3.4]

<A> Change the jumper connector from CN41 to CN40 *1
 SW2-1:ON *2

() Address

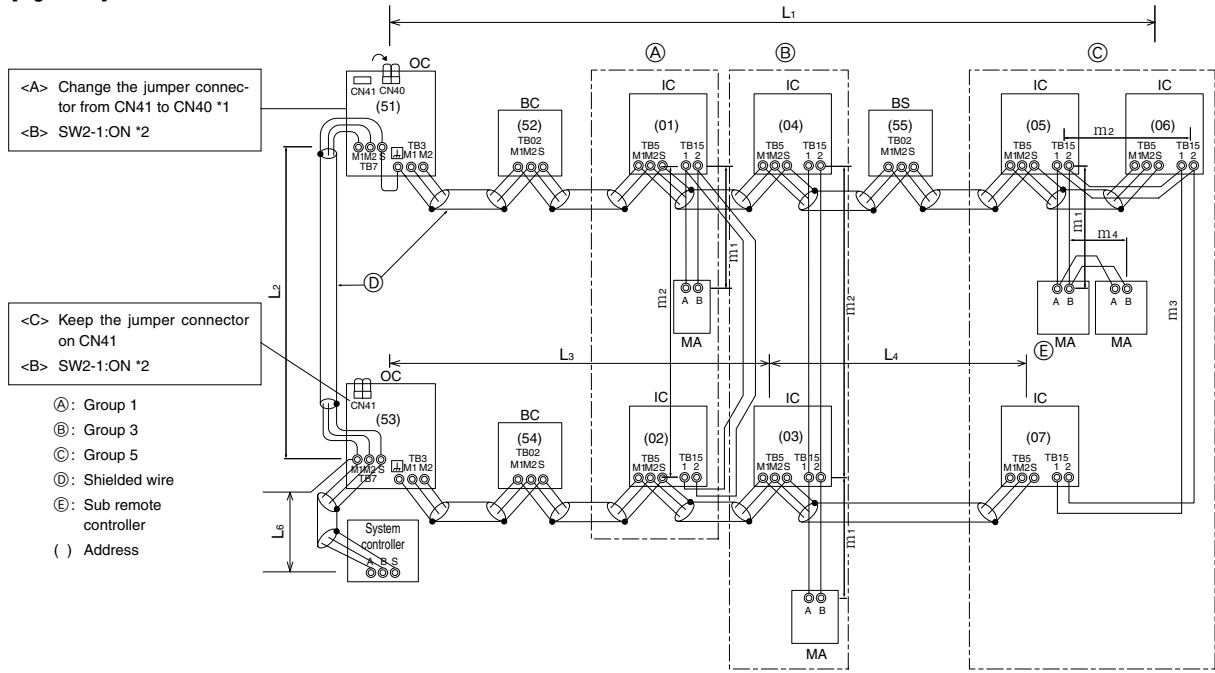
<C> Keep the jumper connector on CN41
 SW2-1:ON *2



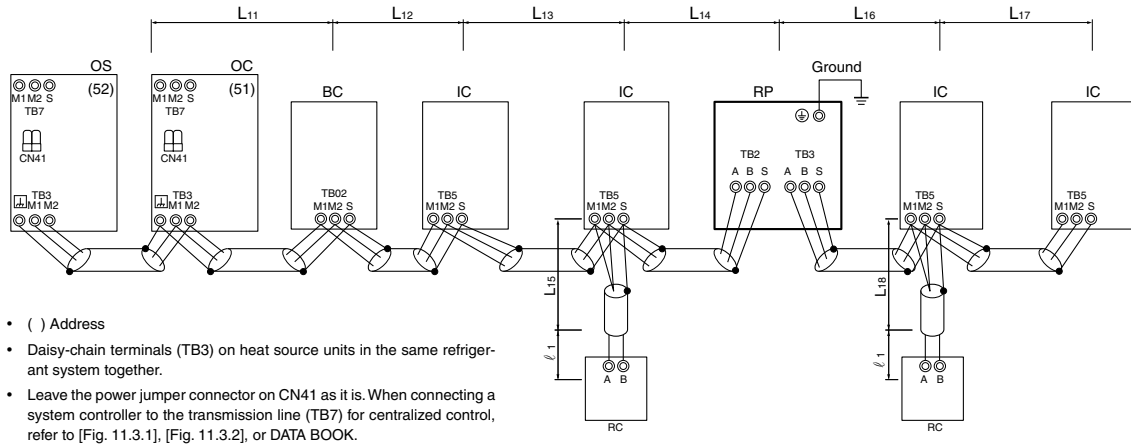
*1: When the power supply unit is not connected to the transmission line for centralized control, disconnect the male power supply connector (CN41) from ONE heat source unit in the system and connect it to CN40.

*2: If a system controller is used, set SW2-1 on all of the heat source units to ON.

[Fig. 11.3.5]



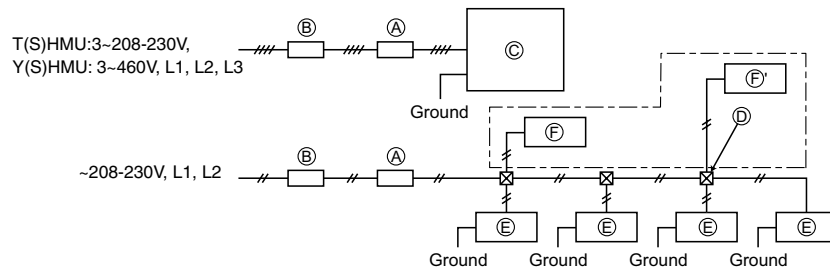
[Fig. 11.3.6]



11.4

[Fig. 11.4.1]

- (A) : Switch (Breakers for wiring and current leakage)
- (B) : Breakers for current leakage
- (C) : Heat source unit
- (D) : Pull box
- (E) : Indoor unit
- (F) : BC controller (standard or main) (for PQR-Y-P-T(S)HMU-A / Y(S)HMU-A)
- (F) : BC controller (sub) (for PQR-Y-P-T(S)HMU-A / Y(S)HMU-A)



Contents


1. Safety precautions	14	9. Refrigerant piping installation.....	19
1.1. Before installation and electric work.....	14	9.1. Caution.....	19
1.2. Precautions for devices that use R410A refrigerant.....	14	9.2. Refrigerant piping system	20
1.3. Before installation.....	15	10. Additional refrigerant charge.....	21
1.4. Before installation (relocation) - electrical work.....	15	10.1. Calculation of additional refrigerant charge.....	21
1.5. Before starting the test run.....	15	10.2. Precautions concerning piping connection and valve operation	22
2. About the product.....	15	10.3. Airtight test, evacuation, and refrigerant charging.....	23
3. Combination of heat source units	16	10.4. Thermal insulation of refrigerant piping.....	24
4. Specifications.....	16	11. Wiring (For details, refer to the installation manual of each unit and controller.).....	24
5. Parts list	17	11.1. Caution.....	24
6. Transporting the unit.....	17	11.2. Control box and connecting position of wiring.....	24
7. Installation.....	18	11.3. Wiring transmission cables	25
7.1. Installation	18	11.4. Wiring of main power supply and equipment capacity.....	27
7.2. Service space.....	18	12. Test run	27
8. Water pipe installation.....	18	12.1. The following phenomena do not represent faults.	27
8.1. Precautions during installation	18	13. Information on rating plate	28
8.2. Insulation installation	18		
8.3. Water processing and water quality control	18		
8.4. Pump interlock	19		


1. Safety precautions

1.1. Before installation and electric work





- ▶ Before installing the unit, make sure you read all the "Safety precautions".
- ▶ The "Safety precautions" provide very important points regarding safety. Make sure you follow them.

Symbols used in the text

 **Warning:**
Describes precautions that should be observed to prevent danger of injury or death to the user.

 **Caution:**
Describes precautions that should be observed to prevent damage to the unit.

Symbols used in the illustrations

-  : Indicates an action that must be avoided.
-  : Indicates that important instructions must be followed.
-  : Indicates a part which must be grounded.
-  : Beware of electric shock. (This symbol is displayed on the main unit label.) <Color: yellow>

 **Warning:**
Carefully read the labels affixed to the main unit.

HIGH VOLTAGE WARNING:

- Control box houses high-voltage parts.
- When opening or closing the front panel of the control box, do not let it come into contact with any of the internal components.
- Before inspecting the inside of the control box, turn off the power, keep the unit off for at least 10 minutes, and confirm that the voltage between FT-P and FT-N on INV Board has dropped to DC20V or less. (It takes about 10 minutes to discharge electricity after the power supply is turned off.)

Warning:

- The water circuit should be a closed circuit.
- Ask the dealer or an authorized technician to install the air conditioner.
 - Improper installation by the user may result in water leakage, electric shock, or fire.
- Install the unit at a place that can withstand its weight.
 - Failure to do so may cause the unit to fall down, resulting in injuries and damage to the unit.
- Use the specified cables for wiring. Make the connections securely so that the outside force of the cable is not applied to the terminals.
 - Inadequate connection and fastening may generate heat and cause a fire.
- Prepare for strong winds and earthquakes and install the unit at the specified place.
 - Improper installation may cause the unit to topple and result in injury and damage to the unit.
- Always use filters and other accessories specified by Mitsubishi Electric.
 - Ask an authorized technician to install the accessories. Improper installation by the user may result in water leakage, electric shock, or fire.
- Never repair the unit. If the air conditioner must be repaired, consult the dealer.
 - If the unit is repaired improperly, water leakage, electric shock, or fire may result.

- Do not touch the fan and heat exchanger fins.
- If refrigerant gas leaks during installation work, ventilate the room.
 - If the refrigerant gas comes into contact with a flame, poisonous gases will be released.
- Install the air conditioner according to this Installation Manual.
 - If the unit is installed improperly, water leakage, electric shock, or fire may result.
- Have all electric work done by a licensed electrician according to "Electric Facility Engineering Standard" and "Interior Wire Regulations" and the instructions given in this manual and always use a dedicated power supply.
 - If the power source capacity is inadequate or electric work is performed improperly, electric shock and fire may result.
- Keep the electric parts away from water (washing water etc.).
 - It might result in electric shock, catching fire or smoke.
- Securely install the heat source unit terminal cover (panel).
 - If the terminal cover (panel) is not installed properly, dust or water may enter the heat source unit and fire or electric shock may result.
- When installing and moving the air conditioner to another site, do not charge it with a refrigerant different from the refrigerant specified on the unit.
 - If a different refrigerant or air is mixed with the original refrigerant, the refrigerant cycle may malfunction and the unit may be damaged.
- If the air conditioner is installed in a small room, measures must be taken to prevent the refrigerant concentration from exceeding the safety limit if the refrigerant should leak.
 - Consult the dealer regarding the appropriate measures to prevent the safety limit from being exceeded. Should the refrigerant leak and cause the safety limit to be exceeded, hazards due to lack of oxygen in the room could result.
- When moving and reinstalling the air conditioner, consult the dealer or an authorized technician.
 - If the air conditioner is installed improperly, water leakage, electric shock, or fire may result.
- After completing installation work, make sure that refrigerant gas is not leaking.
 - If the refrigerant gas leaks and is exposed to a fan heater, stove, oven, or other heat source, it may generate noxious gases.
- Do not reconstruct or change the settings of the protection devices.
 - If the pressure switch, thermal switch, or other protection device is shorted or operated forcibly, or parts other than those specified by Mitsubishi Electric are used, fire or explosion may result.
- To dispose of this product, consult your dealer.
- The installer and system specialist shall secure safety against leakage according to local regulation or standards.
 - Choose the appropriate wire size and the switch capacities for the main power supply described in this manual if local regulations are not available.
- Pay special attention to the place of installation, such as a basement, etc. where refrigeration gas can accumulate, since refrigerant is heavier than the air.

1.2. Precautions for devices that use R410A refrigerant

Caution:

- Do not use existing refrigerant piping.
 - The old refrigerant and refrigerant oil in the existing piping contains a large amount of chlorine which may cause the refrigerant oil of the new unit to deteriorate.
 - R410A is a high-pressure refrigerant and can cause the existing piping to burst.

- **Use refrigerant piping made of phosphorus deoxidized copper and copper alloy seamless pipes and tubes.** In addition, be sure that the **inner and outer surfaces of the pipes are clean and free of hazardous sulphur, oxides, dust/dirt, shaving particles, oils, moisture, or any other contaminant.**
 - Contaminants on the inside of the refrigerant piping may cause the refrigerant oil to deteriorate.
- **Store the piping to be used during installation indoors and keep both ends of the piping sealed until just before brazing. (Store elbows and other joints in a plastic bag.)**
 - If dust, dirt, or water enters the refrigerant cycle, deterioration of the oil and compressor failure may result.
- **Apply a small amount of ester oil, ether oil, or alkyl benzene to flares. (for indoor unit)**
 - Infiltration of a large amount of mineral oil may cause the refrigerant oil to deteriorate.
- **Use liquid refrigerant to fill the system.**
 - If gas refrigerant is used to fill the system, the composition of the refrigerant in the cylinder will change and performance may drop.
- **Do not use a refrigerant other than R410A.**
 - If another refrigerant (R22, etc.) is mixed with R410A, the chlorine in the refrigerant may cause the refrigerant oil to deteriorate.
- **Use a vacuum pump with a reverse flow check valve.**
 - The vacuum pump oil may flow back into the refrigerant cycle and cause the refrigerant oil to deteriorate.
- **Do not use the following tools that are used with conventional refrigerants. (Gauge manifold, charge hose, gas leak detector, reverse flow check valve, refrigerant charge base, refrigerant recovery equipment)**
 - If the conventional refrigerant and refrigerant oil are mixed in the R410A, the refrigerant may deteriorate.
 - If water is mixed in the R410A, the refrigerant oil may deteriorate.
 - Since R410A does not contain any chlorine, gas leak detectors for conventional refrigerants will not react to it.
- **Do not use a charging cylinder.**
 - Using a charging cylinder may cause the refrigerant to deteriorate.
- **Be especially careful when managing the tools.**
 - If dust, dirt, or water gets into the refrigerant cycle, the refrigerant may deteriorate.
- **Never connect in reverse phases.**
 - **Never connect the Power Line L1, L2, and L3 to Terminal N.**
 - If the unit is miss wired, when power is supplied, some electrical parts will be damaged.
- **Install the power cable so that tension is not applied to the cable.**
 - Tension may cause the cable to break and generate heat and cause a fire.
- **Install a leak circuit breaker, as required.**
 - If a leak circuit breaker is not installed, electric shock may result.
- **Use power line cables of sufficient current carrying capacity and rating.**
 - Cables that are too small may leak, generate heat, and cause a fire.
- **Use only a circuit breaker and fuse of the specified capacity.**
 - A fuse or circuit breaker of a larger capacity, or the use of a substitute simple steel or copper wire may result in a general unit failure or fire.
- **Do not wash the air conditioner units.**
 - Washing them may cause an electric shock.
- **Be careful that the installation base is not damaged by long use.**
 - If the damage is left uncorrected, the unit may fall and cause personal injury or property damage.
- **Install the drain piping according to this Installation Manual to ensure proper drainage. Wrap thermal insulation around the pipes to prevent condensation.**
 - Improper drain piping may cause water leakage and damage to furniture and other possessions.
- **Be very careful about transporting the product.**
 - One person should not carry the product. Its weight is in excess of 20kg [45LBS].
 - Some products use PP bands for packaging. Do not use any PP bands as a means of transportation. It is dangerous.
 - Do not touch the heat exchanger fins. Doing so may cut your fingers.
 - When transporting the heat source unit, support it at the specified positions on the unit base. Also support the heat source unit at four points so that it cannot slip sideways.
- **Safely dispose of the packing materials.**
 - Packing materials, such as nails and other metal or wooden parts, may cause stabs or other injuries.
 - Tear apart and throw away plastic packaging bags so that children will not play with them. If children play with a plastic bag which has not been torn apart, they face the risk of suffocation.

1.3. Before installation

⚠ Caution:

- **Do not install the unit where combustible gas may leak.**
 - If the gas leaks and accumulates around the unit, an explosion may result.
- **Do not use the air conditioner where food, pets, plants, precision instruments, or artwork are kept.**
 - The quality of the food, etc. may deteriorate.
- **Do not use the air conditioner in special environments.**
 - Oil, steam, sulfuric smoke, etc. can significantly reduce the performance of the air conditioner or damage its parts.
- **When installing the unit in a hospital, communication station, or similar place, provide sufficient protection against noise.**
 - Inverter equipment, private power generator, high-frequency medical equipment, or radio communication equipment may cause the air conditioner to operate erroneously, or fail to operate. On the other hand, the air conditioner may affect such equipment by creating noise that disturbs medical treatment or image broadcasting.
- **Do not install the unit on or over things that are subject to water damage.**
 - When the room humidity exceeds 80% or when the drain pipe is clogged, condensation may drip from the indoor unit. Perform collective drainage work together with the heat source unit, as required.

1.4. Before installation (relocation) - electrical work

⚠ Caution:

- **Ground the unit.**
 - Do not connect the ground wire to gas or water pipes, lightning rods, or telephone ground lines. Improper grounding may result in electric shock.

2. About the product

- This unit uses R410A-type refrigerant.
- Piping for systems using R410A may be different from that for systems using conventional refrigerant because the design pressure for R410A systems is higher. Refer to the Data Book for more information.
- Some of the tools and equipment used for installing with systems that use other types of refrigerant cannot be used with the systems using R410A. Refer to the Data Book for more information.
- Do not use the existing piping, as it contains chlorine, which is found in conventional refrigerating machine oil and refrigerant. This chlorine will deteriorate the refrigerant machine oil in the new equipment. The existing piping must not be used as the design pressure for R410A systems is higher than that in the systems using other types of refrigerant and the existing pipes may burst.

3. Combination of heat source units

PQHY-P72 to P360 THMU-A module are listed below.

Model name	module		
PQHY-P72THMU-A	PQHY-P72THMU-A	-	-
PQHY-P96THMU-A	PQHY-P96THMU-A	-	-
PQHY-P120THMU-A	PQHY-P120THMU-A	-	-
PQHY-P144TSHMU-A	PQHY-P72THMU-A	PQHY-P72THMU-A	-
PQHY-P168TSHMU-A	PQHY-P96THMU-A	PQHY-P72THMU-A	-
PQHY-P192TSHMU-A	PQHY-P96THMU-A	PQHY-P96THMU-A	-
PQHY-P216TSHMU-A	PQHY-P120THMU-A	PQHY-P96THMU-A	-
PQHY-P240TSHMU-A	PQHY-P120THMU-A	PQHY-P120THMU-A	-
PQHY-P264TSHMU-A	PQHY-P96THMU-A	PQHY-P96THMU-A	PQHY-P72THMU-A
PQHY-P288TSHMU-A	PQHY-P96THMU-A	PQHY-P96THMU-A	PQHY-P96THMU-A
PQHY-P312TSHMU-A	PQHY-P120THMU-A	PQHY-P96THMU-A	PQHY-P96THMU-A
PQHY-P336TSHMU-A	PQHY-P120THMU-A	PQHY-P120THMU-A	PQHY-P96THMU-A
PQHY-P360TSHMU-A	PQHY-P120THMU-A	PQHY-P120THMU-A	PQHY-P120THMU-A

PQRY-P72 to P240 THMU-A module are listed below.

Model name	module		
PQRY-P72THMU-A	PQRY-P72THMU-A	-	-
PQRY-P96THMU-A	PQRY-P96THMU-A	-	-
PQRY-P120THMU-A	PQRY-P120THMU-A	-	-
PQRY-P144TSHMU-A	PQRY-P72THMU-A	PQRY-P72THMU-A	-
PQRY-P168TSHMU-A	PQRY-P96THMU-A	PQRY-P72THMU-A	-
PQRY-P192TSHMU-A	PQRY-P96THMU-A	PQRY-P96THMU-A	-
PQRY-P216TSHMU-A	PQRY-P120THMU-A	PQRY-P96THMU-A	-
PQRY-P240TSHMU-A	PQRY-P120THMU-A	PQRY-P120THMU-A	-

PQHY-P72 to P360 YHMU-A module are listed below.

Model name	module		
PQHY-P72YHMU-A	PQHY-P72YHMU-A	-	-
PQHY-P96YHMU-A	PQHY-P96YHMU-A	-	-
PQHY-P120YHMU-A	PQHY-P120YHMU-A	-	-
PQHY-P144YSHMU-A	PQHY-P72YHMU-A	PQHY-P72YHMU-A	-
PQHY-P168YSHMU-A	PQHY-P96YHMU-A	PQHY-P72YHMU-A	-
PQHY-P192YSHMU-A	PQHY-P96YHMU-A	PQHY-P96YHMU-A	-
PQHY-P216YSHMU-A	PQHY-P120YHMU-A	PQHY-P96YHMU-A	-
PQHY-P240YSHMU-A	PQHY-P120YHMU-A	PQHY-P120YHMU-A	-
PQHY-P264YSHMU-A	PQHY-P96YHMU-A	PQHY-P96YHMU-A	PQHY-P72YHMU-A
PQHY-P288YSHMU-A	PQHY-P96YHMU-A	PQHY-P96YHMU-A	PQHY-P96YHMU-A
PQHY-P312YSHMU-A	PQHY-P120YHMU-A	PQHY-P96YHMU-A	PQHY-P96YHMU-A
PQHY-P336YSHMU-A	PQHY-P120YHMU-A	PQHY-P120YHMU-A	PQHY-P96YHMU-A
PQHY-P360YSHMU-A	PQHY-P120YHMU-A	PQHY-P120YHMU-A	PQHY-P120YHMU-A

PQRY-P72 to P240 YHMU-A module are listed below.

Model name	module		
PQRY-P72YHMU-A	PQRY-P72YHMU-A	-	-
PQRY-P96YHMU-A	PQRY-P96YHMU-A	-	-
PQRY-P120YHMU-A	PQRY-P120YHMU-A	-	-
PQRY-P144YSHMU-A	PQRY-P72YHMU-A	PQRY-P72YHMU-A	-
PQRY-P168YSHMU-A	PQRY-P96YHMU-A	PQRY-P72YHMU-A	-
PQRY-P192YSHMU-A	PQRY-P96YHMU-A	PQRY-P96YHMU-A	-
PQRY-P216YSHMU-A	PQRY-P120YHMU-A	PQRY-P96YHMU-A	-
PQRY-P240YSHMU-A	PQRY-P120YHMU-A	PQRY-P120YHMU-A	-

4. Specifications

PQHY-P-THMU-A

Model	PQHY-P72THMU-A	PQHY-P96THMU-A	PQHY-P120THMU-A	PQHY-P144TSHMU-A	PQHY-P168TSHMU-A	PQHY-P192TSHMU-A	PQHY-P216TSHMU-A	PQHY-P240TSHMU-A
Sound pressure level	47dB<A>	49dB<A>	51dB<A>	50dB<A>	51dB<A>	52dB<A>	53.0dB<A>	54dB<A>
Net weight	196kg [433LBS]			196kg + 196kg [433LBS + 433LBS]				
Maximum water pressure	2.0MPa [290psi]							
Refrigerant	R410A: 5.0kg			R410A: 5.0kg + 5.0kg [(11LBS + 1 oz) + (11LBS + 1 oz)]				
Indoor units	Total capacity							
	Model							
	Quantity							
Operation temperature	Water temperature: 10°C ~ 45°C [50°F ~ 113°F]							

Model	PQHY-P264TSHMU-A	PQHY-P288TSHMU-A	PQHY-P312TSHMU-A	PQHY-P336TSHMU-A	PQHY-P360TSHMU-A
Sound pressure level	53dB<A>	54.0dB<A>	54.5dB<A>	55dB<A>	56dB<A>
Net weight	196kg + 196kg + 196kg [433LBS + 433LBS + 433LBS]				
Maximum water pressure	2.0MPa [290psi]				
Refrigerant	R410A: 5.0 kg + 5.0 kg + 5.0 kg				
Indoor units	Total capacity				
	Model				
	Quantity				
Operation temperature	Water temperature: 10°C ~ 45°C [50°F ~ 113°F]				

*1: The total indoor capacity of units run simultaneously is 130% or less.

PQRY-P-THMU-A

Model	PQRY-P72THMU-A	PQRY-P96THMU-A	PQRY-P120THMU-A	PQRY-P144TSHMU-A	PQRY-P168TSHMU-A	PQRY-P192TSHMU-A	PQRY-P216TSHMU-A	PQRY-P240TSHMU-A
Sound pressure level	47dB<A>	49dB<A>	51dB<A>	50dB<A>	51dB<A>	52dB<A>	53.0dB<A>	54dB<A>
Net weight	182kg [402LBS]			182kg + 182kg [402LBS + 402LBS]				
Maximum water pressure	2.0MPa [290psi]							
Refrigerant	R410A: 5.0kg			R410A: 5.0kg + 5.0kg [(11LBS + 1 oz) + (11LBS + 1 oz)]				
Indoor units	Total capacity							
	Model							
	Quantity							
Operation temperature	Water temperature: 10°C ~ 45°C [50°F ~ 113°F]							

*1: The total indoor capacity of units run simultaneously is 150% or less.

*2: Connectable branch pipe number is max.48.

PQHY-P-YHMU-A

Model	PQHY-P72YHMU-A	PQHY-P96YHMU-A	PQHY-P120YHMU-A	PQHY-P144YSHMU-A	PQHY-P168YSHMU-A	PQHY-P192YSHMU-A	PQHY-P216YSHMU-A	PQHY-P240YSHMU-A
Sound pressure level	47dB<A>	49dB<A>	51dB<A>	50dB<A>	51dB<A>	52dB<A>	53.0dB<A>	54dB<A>
Net weight	208kg [459LBS]			208kg + 208kg [459LBS + 459LBS]				
Maximum water pressure	2.0MPa [290psi]							
Refrigerant	R410A: 5.0kg			R410A: 5.0kg + 5.0kg [(11LBS + 1 oz) + (11LBS + 1 oz)]				
Indoor units	Total capacity	50 ~ 130% ^{*1}						
	Model	06 ~ 96						
	Quantity	1 ~ 15	1 ~ 20	1 ~ 26	1 ~ 31	1 ~ 36	1 ~ 41	2 ~ 46
Operation temperature	Water temperature: 10°C ~ 45°C [50°F ~ 113°F]							

Model	PQHY-P264YSHMU-A	PQHY-P288YSHMU-A	PQHY-P312YSHMU-A	PQHY-P336YSHMU-A	PQHY-P360YSHMU-A
Sound pressure level	53dB<A>	54.0dB<A>	54.5dB<A>	55dB<A>	56dB<A>
Net weight	208kg + 208kg + 208kg [459LBS + 459LBS + 459LBS]				
Maximum water pressure	2.0MPa [290psi]				
Refrigerant	R410A: 5.0 kg + 5.0 kg + 5.0 kg				
Indoor units	Total capacity	50 ~ 130% ^{*1}			
	Model	06 ~ 96			
	Quantity	2 ~ 50	2 ~ 50	2 ~ 50	2 ~ 50
Operation temperature	Water temperature: 10°C ~ 45°C [50°F ~ 113°F]				

*1: The total indoor capacity of units run simultaneously is 130% or less.

PQRY-P-YHMU-A

Model	PQRY-P72YHMU-A	PQRY-P96YHMU-A	PQRY-P120YHMU-A	PQRY-P144YSHMU-A	PQRY-P168YSHMU-A	PQRY-P192YSHMU-A	PQRY-P216YSHMU-A	PQRY-P240YSHMU-A
Sound pressure level	47dB<A>	49dB<A>	51dB<A>	50dB<A>	51dB<A>	52dB<A>	53.0dB<A>	54dB<A>
Net weight	194kg [428LBS]			194kg + 194kg [428LBS + 428LBS]				
Maximum water pressure	2.0MPa [290psi]							
Refrigerant	R410A: 5.0kg			R410A: 5.0kg + 5.0kg [(11LBS + 1 oz) + (11LBS + 1 oz)]				
Indoor units	Total capacity	50 ~ 150% ^{*1}						
	Model	06 ~ 96						
	Quantity	1 ~ 18	1 ~ 24	1 ~ 30	1 ~ 36	1 ~ 42	1 ~ 48	2 ~ 50 ^{*2}
Operation temperature	Water temperature: 10°C ~ 45°C [50°F ~ 113°F]							

*1: Maximum total indoor capacity is 150%.

*2: Maximum number of branch pipe is 48.

5. Parts list

- Check if the unit is shipped with the parts listed below.
- For precautions, see section 10.2.

PQHY-P-THMU-A/YHMU-A

	① Connecting pipe ID ø19.05, OD ø19.05 (ID ø3/4", OD ø3/4") <Gas side>	② Connecting pipe IDø25.4, ODø25.4 (IDø1", ODø1") <Gas side>	③ Connecting pipe ODø19.05, IDø25.4 (ODø3/4", IDø1") <Gas side>	④ Connecting pipe ODø22.2, IDø25.4 (ODø7/8", IDø1") <Gas side>	⑤ Connecting pipe IDø9.52, ODø9.52 (ODø3/8", IDø3/8") <Liquid side>	⑥ Connecting pipe IDø9.52, IDø12.7 (ODø3/8", IDø1/2") <Liquid side>	⑦ Packing (inside ø49, outside ø89)
Model	PQHY-P72THMU-A/YHMU-A	1 pc.	–	1 pc.	–	1 pc.	–
	PQHY-P96THMU-A/YHMU-A	–	1 pc.	–	1 pc.	1 pc.	–
	PQHY-P120THMU-A/YHMU-A	–	1 pc.	–	1 pc.	1 pc.	–
	High water pressure	–	–	–	–	–	1 pc.


PQRY-P-THMU-A/YHMU-A

	① Connecting pipe IDø15.88, IDø19.05 (IDø5/8", IDø3/4") <High-pressure side>	② Connecting pipe IDø19.05, IDø25.4 (IDø3/4", ODø1") <High-pressure side> <Low-pressure side>	③ Connecting pipe IDø22.2, IDø25.4 (IDø7/8", IDø1") <Low-pressure side>	④ Connecting pipe IDø19.05, ODø19.05 (IDø3/4", ODø3/4") <High-pressure side>
Model	PQRY-P72THMU-A/YHMU-A	1 pc.	1 pc.	–
	PQRY-P96THMU-A/YHMU-A	–	–	1 pc.
	PQRY-P120THMU-A/YHMU-A	–	–	1 pc.
	High water pressure	–	–	1 pc.

6. Transporting the unit

[Fig. 6.0.1] (P.2)

- Use transporting ropes that can hold the weight of the unit.
- When moving the unit, use a **4-point suspension**, and avoid (Do not use **2-point suspension**).
- Place protective pads on the unit where it comes in contact with the ropes to protect from scratches.
- Set the angle of roping at 40° or less.
- Use 2 ropes that are each longer than 8m [26ft].
- Place protective padding at the corners of the product to protect the product from scratches or dents that might be caused by the rope.

 **Caution:**

Be very careful when carrying/moving the product.

- When installing the heat source unit, suspend the unit at the specified location of the unit base. Support the unit of the four points, and stabilize as necessary. If the unit is suspended with 3-point support, the unit may fall.



7. Installation

7.1. Installation

[Fig. 7.1.1] (P.2)

- (A) M10 anchor bolt. (field-supplied)
 - (B) Check that the installation leg corners are securely supported to ensure that the legs do not bend.
 - (C) Check that the installation leg corners are securely supported.
- Attach unit tightly with bolts so that it will not fall down due to earthquakes or strong winds.
 - Use concrete or an angle bracket for the foundation.
 - Vibration may be transmitted to the installation area and noise and vibration may be generated from the floor and walls, depending on the conditions. Provide ample vibration proofing (cushion pads, cushion frame, etc.).
 - Be sure that the corners are firmly attached. If the corners are not firmly attached, the feet of the unit may be bent.
 - When using pads, be sure that the full width of the unit is covered.
 - The projecting length of the anchor bolt should be less than 25 mm [1 in.].
 - The PQHY/PQRY-P-THMU-A/YHMU-A should not be installed at outdoor.
 - The PQHY/PQRY-P-THMU-A-BS/YHMU-A-BS can be installed at outdoor.

⚠ Warning:

- **Install the unit in a location strong enough to withstand its weight. Any lack of strength may cause unit to fall down, resulting in a personal injury.**
- **Have installation work in order to protect against strong winds and earthquakes. Improper installation may cause unit to fall down, resulting in a personal injury.**

When building the foundation, give full attention to the floor strength, drain water disposal <during operation, drain water flows out of the unit>, and piping and wiring routes.

Precautions when routing the pipes and wires below the unit

When routing the pipes and wires below the unit, make sure that the foundation and base do not block the access holes. Also, make sure the foundation is at least 100 mm high so that the piping can pass under the unit.

7.2. Service space

- Allow for clearance space.
- In case of a single unit installation, include 600 mm or more of space for easier access when servicing the unit from back.

[Fig. 7.2.1] (P.2)

- (A) Space for removing the control box
- (B) Heat source unit
- (C) Service space (front)

8. Water pipe installation

Please observe the following precautions during installation.

8.1. Precautions during installation

- The water pressure resistance of the water pipes in the heat source unit is 2.0MPa [290psi].
- Use the reverse-return method to insure proper pipe resistance to each unit.
- Provide some joints and bulbs around inlet/outlet of each unit for easy maintenance, checkup, and replacement.
- To protect the heat source unit, install a strainer on the circulating water inlet pipe within 1.5 m [4-7/8in] from the heat source unit.
- Install a suitable air vent on the water pipe. After flowing water through the pipe, vent any excess air.
- Water may collect in the low-temperature sections of heat source unit. Add a drainage pipe to the drain valve at the base of the unit to drain the water.
- Install a back flow-prevention valve on the pump and a flexible joint to prevent excess vibration.
- Use a sleeve to protect the pipes at the point where they go through a wall.
- Secure the pipes with metal fitting, positioning them in locations to protect pipes against breakage and bending.
- Do not confuse the water intake and outlet valves.
- This unit doesn't include a heater to prevent freezing within tubes. If the water flow is stopped on low ambient, drain the water out.
- The unused knockout holes should be closed and the refrigerant pipes, water pipes, power source and transmission wires access holes should be filled with putty.
- The drain plug is installed on the back of the unit at factory for field-connection of the drain pipes on the front of the unit. Move the plug to the front to connect the drain pipes on the back. Verify that there are no leaks from pipe connections.
- For installing two units, install water pipes in parallel to each other so that the water flow rate through both units will be equal.
- Wrap sealing tape as follows.
 - ① Wrap the joint with sealing tape following the direction of the threads (clockwise), do not wrap the tape over the edge.
 - ② Overlap the sealing tape by two-thirds to three-fourths of its width on each turn. Press the tape with your fingers so that it is tight against each thread.
 - ③ Do not wrap the 1.5th through 2nd farthest threads away from the pipe end.
- Hold the pipe on the unit side in place with a spanner when installing the pipes or strainer. Tighten screws to a torque of 150 N·m.
- When connecting heat source unit water piping and on site water piping, apply liquid sealing material for water piping over the sealing tape before connection.

Example of heat source unit installation (using left piping)

[Fig. 8.1.1] (P.3)

- (A) Main circulating water pipe
- (B) Shutoff valve
- (C) Shutoff valve
- (D) Water outlet (lower)
- (E) Refrigerant pipes
- (F) Y-type strainer
- (G) Water inlet (upper)
- (H) Drain pipe

8.2. Insulation installation

As long as the temperature range of the circulating water is kept to average temperatures year-round (30 °C [86 °F] in the summer, 20 °C [68 °F] in the winter), there is no need to insulate the indoor piping. Insulation should be installed in the following situations:

- On any heat source piping.
- Indoor piping in cold-weather regions where frozen pipes are a problem.
- When air coming from the outside causes condensation to form on piping.
- On any drainage piping.

8.3. Water processing and water quality control

To preserve water quality, use the closed type of cooling tower. When the circulating water quality is poor, the water heat exchanger can develop scales, leading to a reduction in heat-exchange power and possible corrosion. Pay careful attention to water processing and water quality control when installing the water circulation system.

- Removing of foreign objects or impurities within the pipes. During installation, make sure that foreign objects, such as welding fragments, sealant particles, or rust, do not enter the pipes.
- Water Quality Processing
 - ① Depending on the quality of the cold-temperature water used in the air conditioner, the copper piping of the heat exchanger may corrode. Regular water quality processing is recommended. Cold water circulation systems using open heat storage tanks are particularly prone to corrosion. When using an open-type heat storage tank, install a water-to-water heat exchanger, and use a closed-loop circuit on the air conditioner side. If a water supply tank is installed, keep air contact to a minimum, and keep the level of dissolved oxygen in the water no higher than 1mg/l.

② Water quality standard

Items		Low to mid-range temperature water system		Tendency	
		Recirculating water [20<T<60°C] [68<T<140°F]	Make-up water	Corrosive	Scale-forming
Standard items	pH (25°C) [77°F]	7.0 ~ 8.0	7.0 ~ 8.0	○	○
	Electric conductivity (mS/m) (25°C) [77°F] (μs/cm) (25°C) [77°F]	30 or less [300 or less]	30 or less [300 or less]	○	○
	Chloride ion (mg Cl-/l)	50 or less	50 or less	○	
	Sulfate ion (mg SO4 ²⁻ /l)	50 or less	50 or less	○	
	Acid consumption (pH4.8) (mg CaCO ₃ /l)	50 or less	50 or less		○
	Total hardness (mg CaCO ₃ /l)	70 or less	70 or less		○
	Calcium hardness (mg CaCO ₃ /l)	50 or less	50 or less		○
	Ionic silica (mg SiO ₂ /l)	30 or less	30 or less		○
	Iron (mg Fe/l)	1.0 or less	0.3 or less	○	○
	Copper (mg Cu/l)	1.0 or less	0.1 or less	○	
Reference items	Sulfide ion (mg S ²⁻ /l)	not to be detected	not to be detected	○	
	Ammonium ion (mg NH ₄ ⁺ /l)	0.3 or less	0.1 or less	○	
	Residual chlorine (mg Cl/l)	0.25 or less	0.3 or less	○	
	Free carbon dioxide (mg CO ₂ /l)	0.4 or less	4.0 or less	○	
	Ryzner stability index	6.0 ~ 7.0	-	○	○

Reference : Guideline of Water Quality for Refrigeration and Air Conditioning Equipment. (JRA GL02E-1994)

- ③ Consult with a specialist about water quality control methods and calculations before using anti-corrosive solutions.
- ④ When replacing a previously installed air conditioning device (even when only the heat exchanger is being replaced), first conduct a water quality analysis and check for possible corrosion.
Corrosion can occur in cold-water systems even if there has been no prior signs of corrosion.
If the water quality level has dropped, adjust water quality before replacing the unit.

9. Refrigerant piping installation

The pipe is connected via a terminal-branch type connection in which refrigerant piping from the heat source unit is branched at the terminal and is connected to each of the indoor units.
The method of pipe connection is as follows: flare connection for the indoor units, Gas (low-pressure for PQR-Y-P-T(S)HMU-A/Y(S)HMU-A) pipes and Liquid (high-pressure for PQR-Y-P-T(S)HMU-A/Y(S)HMU-A) pipes for heat source, brazed connection. Note that the branched sections are brazed.

⚠ Warning:
Always use extreme care to prevent the refrigerant gas from leaking while using fire or flame. If the refrigerant gas comes in to contact with a flame from any source, such as a gas stove, it breaks down and generates a poisonous gas which can cause gas poisoning. Never weld in an unventilated room. Always conduct an inspection for gas leakage after installation of the refrigerant piping has been completed.

9.1. Caution

This unit uses refrigerant R410A. Follow the local regulations on materials and pipe thickness when selecting pipes. (Refer to the table below.)

- ① Use the following materials for refrigeration piping.
 - Material: Use copper alloy seamless pipes made of phosphorus deoxidized copper. Ensure the inside and outside surfaces of the pipes are clean and free from hazardous sulfur, oxide, dusts, shaving particles, oils, and moisture (contamination).
 - Size: Refer to item 9.2. for detailed information on refrigerant piping system.
- ② Field-supplied piping often contains dust and other materials. Always blow it clean with a dry inert gas.
- ③ Use care to prevent dust, water or other contaminants from entering the piping during installation.
- ④ Reduce the number of bending portions as much as possible, and make bending radii as big as possible.
- ⑤ For branching and connecting pipes for indoor and heat source units, use the following twinning and connecting pipe sets (sold separately).

Indoor twinning pipe kit model PQR-Y-P-T(S)HMU-A/Y(S)HMU-A ONLY	Indoor junction pipe kit model PQR-Y-P-T(S)HMU-A/Y(S)HMU-A ONLY	Heat source twinning kit model PQR-Y-P-T(S)HMU-A/Y(S)HMU-A ONLY
Line branch		
Down-stream unit model Less than 30 in total	Total indoor model P72, P96	Total heat source model P144 ~ P240
CMY-Y102S-G2	CMY-R160-J	CMY-Q100VBK

8.4. Pump interlock

The heat source unit may become damaged if it is operated with no water circulating through the pipes.

Interlock unit operation and the water-circuit pump. Use the terminal blocks for interlocking (TB8-1, 2, 3, 4) that can be found on the unit.
In the case of a pump interlock circuit signal connection to the TB8-3, 4, remove the short-circuit wire. Also, use pressure valve 63PW with a minimum current of 5mA or less to prevent miss detection due to poor connection.
Pump interlock cords of parts of appliances for heat source use shall not be lighter than polychloroprene sheathed flexible cord (design 245 IEC 57).

[Fig. 8.4.1] (P.3)

- Ⓐ Short-circuit wire (Connected before delivery from manufacturer)
- Ⓑ Pump interlock circuit connection

[Fig. 8.4.2] (P.3)

This circuit is for interlocking of the heat source unit operation and the mater-circuit pump.

- Ⓐ Heat source unit
- Ⓑ Control panel (field-supplied)
- Ⓒ To next heat source unit

TM1, 2 : Timer relay (closes after elapsing the set time when it is powered, while opens promptly when it is not powered)
52P : Magnetic contactor for water circuit pump
MP : Water circuit pump
MCB : Circuit breaker

* Remove the short circuit wire between 3 and 4 when wiring to TB8.

Copper pipe size and radial thickness for R410A CITY MULTI.

Size (mm)	Size (inch)	Radial thickness (mm)	Radial thickness (mil)	Pipe type
ø6.35	ø1/4"	0.8	32	Type-O
ø9.52	ø3/8"	0.8	32	Type-O
ø12.7	ø1/2"	0.8	32	Type-O
ø15.88	ø5/8"	1.0	40	Type-O
*ø19.05	ø3/4"	1.2	48	Type-O
*ø19.05	ø3/4"	1.0	40	Type-1/2H or H
ø22.2	ø7/8"	1.0	40	Type-1/2H or H
ø25.4	ø1"	1.0	40	Type-1/2H or H
ø28.58	ø1-1/8"	1.0	40	Type-1/2H or H
ø31.75	ø1-1/4"	1.1	44	Type-1/2H or H
ø34.93	ø1-3/8"	1.2	48	Type-1/2H or H
ø41.28	ø1-5/8"	1.4	56	Type-1/2H or H

* Both pipe types can be used for pipe size ø19.05 (3/4 inch) for R410A air conditioner.

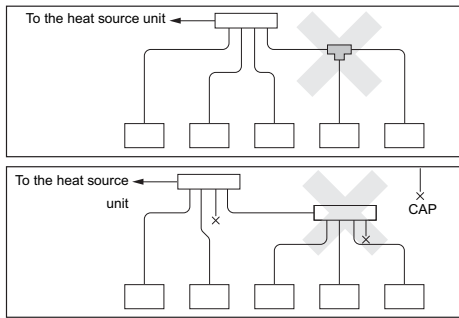
- ⑥ Use a fitting if a specified refrigerant pipe has a different diameter from that of a branching pipe.
- ⑦ Follow the restrictions on the refrigerant piping (such as rated length, height difference, and piping diameter) to prevent equipment failure or a decline in heating/cooling performance.

Indoor twinning pipe set model PQHY-P-T(S)HMU-A/Y(S)HMU-A ONLY			
Line branch			
Down-stream unit model Less than 72 in total	Down-stream unit model More than 73 and less than 144 in total	Down-stream unit model More than 145 and less than 240 in total	Down-stream unit model More than 241 in total
CMY-Y102S-G2	CMY-Y102L-G2	CMY-Y202-G2	CMY-Y302-G2

Indoor twinning pipe set model PQHY-P-T(S)HMU-A/Y(S)HMU-A ONLY		
Header branch		
4 branching	8 branching	10 branching
CMY-Y104-G	CMY-Y108-G	CMY-Y1010-G

Heat source twinning kit model PQHY-P-T(S)HMU-A/Y(S)HMU-A ONLY	
Total heat source model P144 ~ P240	Total heat source model P264 ~ P360
CMY-Y100VBK2	CMY-Y300VBK2

- ⑧ Indoor units cannot be further branched down stream after the branch header. (See diagram below.) *PQHY-P-T(S)HMU-A/Y(S)HMU-A ONLY.



- ⑨ A lack or an excess of refrigerant can cause the unit to stop. Charge the system with the appropriate amount of refrigerant. When servicing, always check the information concerning pipe length and amount of additional refrigerant at the refrigerant volume calculation table on the back of the service panel and the additional refrigerant section on the labels for the combined number of indoor units (Refer to item 9.2. for detailed information on refrigerant piping system).
- ⑩ **Charge the system using liquid refrigerant.**
- ⑪ **Never use refrigerant to air purge.** Always evacuate using a vacuum pump.
- ⑫ Always insulate the piping properly. Insufficient insulation will result in a decline in heating/cooling performance, condensation and other such problems (Refer to item 10.4 for insulation of the refrigerant piping).
- ⑬ When connecting the refrigerant piping, make sure the valve of the heat source unit is completely closed (the factory setting) and do not operate it until the refrigerant piping for the heat source unit, indoor units and BC controller has been connected, a refrigerant leakage test has been performed, and the evacuation process has been completed.
- ⑭ **Braze only with non-oxidized material. Failure to do so may damage the compressor. Braze using nitrogen purge. Do not use any commercially available anti-oxidizing agent, because it may cause pipe corrosion and degrade the refrigerant oil. Contact Mitsubishi Electric for more details.** (Refer to item 10.2. for details of the piping connection and valve operation)
- ⑮ **Never perform piping connections when raining.**

Warning:
When installing and relocating the unit, do not charge the system with any other refrigerant other than what is specified.

- Mixing different refrigerant, air, etc. may cause the refrigerant cycle to malfunction and result in severe damage.

Caution:

- **Use a vacuum pump with a reverse flow check valve.**
 - If the vacuum pump does not have a reverse flow check valve, the vacuum pump oil may flow back into the refrigerant cycle and cause deterioration of the refrigerant oil.
- **Do not use the tools shown below used with conventional refrigerant. (Gauge manifold, charge hose, gas leak detector, check valve, refrigerant charge base, vacuum gauge, refrigerant recovery equipment)**
 - Mixing of conventional refrigerant and refrigerant oil may cause the refrigerant oil to deteriorate.
 - Mixing of water will cause the refrigerant oil to deteriorate.
 - R410A refrigerant does not contain any chlorine. Therefore, gas leak detectors for conventional refrigerants will not react to it.
- **Manage tools used for R410A carefully.**
 - If dust, dirt, or water gets in the refrigerant cycle, the refrigerant oil will deteriorate.
- **Never use existing refrigerant piping.**
 - The large amount of chlorine in conventional refrigerant and refrigerant oil in existing piping will cause the new refrigerant to deteriorate.
- **Store the piping to be used during installation indoors and keep both ends of the piping sealed until just before brazing.**
 - If dust, dirt, or water get into the refrigerant cycle, the oil will deteriorate and the compressor may fail.
- **Do not use a charging cylinder.**
 - Using a charging cylinder may cause the refrigerant to deteriorate.
- **Do not use special detergents to wash the piping.**

9.2. Refrigerant piping system

Example of refrigerant piping system

[Fig. 9.2.1] (P.4)

- | | |
|--|-----------------------------------|
| Ⓐ Heat source model | Ⓑ Liquid side |
| Ⓒ Gas side | Ⓔ Total capacity of indoor units |
| Ⓓ Liquid pipe | Ⓕ Gas pipe |
| Ⓘ Model number | Ⓖ Downstream unit model total |
| Ⓚ The first branch of P144 ~ P240 | Ⓛ The first branch of P264 ~ P360 |
| Ⓜ Joint | |
| Ⓝ 4-Branch header (Downstream indoor unit model total <= 72) | |
| Ⓞ 8-Branch header (Downstream indoor unit model total <= 144) | |
| Ⓟ 10-Branch header (Downstream indoor unit model total <= 234) | |
| Ⓠ Heat source twinning kit | |
| Ⓐ Heat source unit | Ⓑ 1st branch |
| Ⓒ Indoor unit | Ⓓ Cap |
| Ⓢ Heat source twinning kit | Ⓕ Header |

*1 $\phi 12.7$ for over 90 m [295-1/4in]

*2 $\phi 12.7$ for over 40 m [131-3/16in]

*3 The pipe sizes listed in columns A1 to A3 in this table correspond to the sizes for the models listed in the unit 1, 2, and 3 columns. When the order of the models for unit 1, 2, and 3 change, make sure to use the appropriate pipe size.

[Fig. 9.2.2] (P.5)

- | | |
|----------------------------|----------------------------------|
| Ⓐ Heat source model | Ⓓ High-pressure side |
| Ⓔ Low-pressure side | Ⓕ Total capacity of indoor units |
| Ⓓ Liquid pipe | Ⓖ Gas pipe |
| Ⓘ Model number | Ⓖ Downstream unit model total |
| Ⓠ Heat source twinning kit | Ⓡ High-pressure gas pipe |
| Ⓢ Low-pressure gas pipe | |
| Ⓐ Heat source unit | Ⓑ BC controller (standard) |
| Ⓒ BC controller (main) | Ⓓ BC controller (sub) |
| Ⓔ Indoor unit (06 ~ 54) | Ⓕ Indoor unit (72 ~ 96) |
| Ⓢ Heat source twinning kit | |

*1 The pipe sizes listed in columns A1 to A2 in this table correspond to the sizes for the models listed in the unit 1 and 2 columns. When the order of unit 1 and 2 is changed, make sure to use the appropriate pipe size for the model.

Precautions for heat source unit combinations

Refer to [Fig. 9.2.3] for the positioning of twinning pipes.

[Fig. 9.2.3] (P.7)

- <A> When the piping (from the twinning pipe) exceeds 2 m [6 ft], include a trap (gas pipe only) within 2 m [6 ft]. Make sure the height of the trap is 200 mm [7-7/8 in] or more.
If there is no trap, oil can accumulate inside the pipe, causing a shortage of oil damaging the compressor. (for PQHY-P-TSHMU-A/YSHMU-A)
- Example of piping connection (for PQHY-P-TSHMU-A/YSHMU-A)
- | | |
|---|------------------------|
| Ⓐ Indoor unit | Ⓑ Trap (gas pipe only) |
| Ⓒ Within 2 m [6 ft] | Ⓓ Twinning pipe |
| Ⓔ Field-supplied piping | Ⓕ Twinning kit |
| Ⓢ Straight pipe length that is 500 mm [19-11/16 in] or more | |

Precautions for heat source unit combinations

Refer to [Fig. 9.2.4] for the positioning of twinning pipes.

[Fig. 9.2.4] (P.7)

- <A> The piping from the heat source units to twinning pipe must be made to slope downwards the twinning pipe. (both the liquid and the gas side for PQHY-P-TSHMU-A/YSHMU-A, the high-pressure side only for PQRYP-TSHMU-A/YSHMU-A)
- Slope of twinning pipes (for PQHY-P-TSHMU-A/YSHMU-A)
Make sure the slope of the twinning pipes are at an angle within $\pm 15^\circ$ to the horizontal plane.
If the slope exceeds the angle specified, the unit may be damaged.
- <C> Example of piping connection (for PQRYP-TSHMU-A/YSHMU-A)
- | | |
|---|--------------------------------------|
| Ⓐ Slope downward | Ⓑ Slope upward |
| Ⓒ BC controller (standard or main) | Ⓓ Twinning pipe |
| Ⓔ Slope of the twinning pipe is at an angle within $\pm 15^\circ$ to the ground | |
| Ⓕ Twinning pipe (low-pressure side) | Ⓖ Twinning pipe (high-pressure side) |
| Ⓖ Field-supplied piping (low-pressure connecting pipe: between heat source units) | |
| Ⓘ Field-supplied piping (low-pressure main pipe: to BC controller) | |
| Ⓢ Field-supplied piping (high-pressure main pipe: to BC controller) | |

10. Additional refrigerant charge

At the time of shipping, the heat source unit is charged with refrigerant. This charge does not include the total amount necessary for extended piping lengths, so an additional charge of each refrigerant line will be required on site. Always keep a record of the size and length of each refrigerant line and the amount of additional charge by writing it in the space provided on the heat source unit for future reference.

10.1. Calculation of additional refrigerant charge

- Calculate the amount of additional charge based on extended piping lengths and the refrigerant line size.
- Use the table below as a guide for calculating the amount of additional charge and then charge the system accordingly.
- If the calculation results in a fraction of less than 0.1 kg [4oz], round up to the next 0.1 kg [4oz]. For example, if the result of the calculation was 27.73 kg [978oz], round the result up to 27.8 kg [984oz].

For PQHY-P-T(S)HMU-A/Y(S)HMU-A

<Additional Charge>

Additional refrigerant charge	=	Liquid pipe size Total length of ø19.05 × 0.29	+	Liquid pipe size Total length of ø15.88 × 0.2	+	Liquid pipe size Total length of ø12.7 × 0.12	+	
		(kg) (oz)	(m) × 0.29 (kg/m) (ft) × 3.1 (oz/ft)	(m) × 0.2 (kg/m) (ft) × 2.15 (oz/ft)	(m) × 0.12 (kg/m) (ft) × 1.29 (oz/ft)			
	+	Liquid pipe size Total length of ø9.52 × 0.06	+	Liquid pipe size Total length of ø6.35 × 0.024	+	α		
		(m) × 0.06 (kg/m) (ft) × 0.65 (oz/ft)		(m) × 0.024 (kg/m) (ft) × 0.26 (oz/ft)				

<Example>

Indoor	1: 36	A: ø12.7 [1/2]	40 m [131ft]	a: ø9.52 [3/8]	10 m [32ft]	} At the conditions below:
	2: 30	B: ø9.52 [3/8]	10 m [32ft]	b: ø9.52 [3/8]	5 m [16ft]	
	3: 15	C: ø9.52 [3/8]	15 m [49ft]	c: ø6.35 [1/4]	10 m [32ft]	
	4: 12	D: ø9.52 [3/8]	10 m [32ft]	d: ø6.35 [1/4]	10 m [32ft]	
	5: 24			e: ø9.52 [3/8]	10 m [32ft]	

The total length of each liquid line is as follows:

ø12.7: A = 40 = 40 m [131ft]

ø9.52: B + C + D + a + b + e = 10 [32] + 15 [49] + 10 [32] + 10 [32] + 5 [16] + 10 [32] = 60m [196ft]

ø6.35: c + d = 10 [32] + 10 [32] = 20 m [64ft]

Therefore, additional refrigerant charge

= 40m [131ft] × 0.12 kg/m [1.29 oz/ft] + 60 [196ft] × 0.06 kg/m [0.65 oz/ft] + 20 [64 ft] × 0.024 kg/m [0.26 oz/ft] + 2.5 kg [88 oz] = 11.4 kg [402 oz]

Value of α

Total capacity of connecting indoor units	α
Models ~ 27	2.0 kg [71 oz]
Models 28 ~ 54	2.5 kg [89 oz]
Models 55 ~ 126	3.0 kg [106 oz]
Models 127 ~ 144	3.5 kg [124 oz]
Models 145 ~ 180	4.5 kg [159 oz]
Models 181 ~ 234	5.0 kg [177 oz]
Models 235 ~ 273	6.0 kg [212 oz]
Models 274 ~ 307	8.0 kg [283 oz]
Models 308 ~ 342	9.0 kg [318 oz]
Models 343 ~ 411	10.0 kg [353 oz]
Models 412 ~ 480	12.0 kg [424 oz]
Models 481 ~	14.0 kg [494 oz]

For PQRV-P-T(S)HMU-A/Y(S)HMU-A

<Additional charge>

Additional refrigerant charge	=	High-pressure pipe size Total length of ø28.58 × 0.36	+	High-pressure pipe size Total length of ø22.2 × 0.23	+	High-pressure pipe size Total length of ø19.05 × 0.16
		(kg) (oz)	(m) × 0.36 (kg/m) (ft) × 3.88 (oz/ft)	(m) × 0.23 (kg/m) (ft) × 2.48 (oz/ft)	(m) × 0.16 (kg/m) (ft) × 1.73 (oz/ft)	
	+	High-pressure pipe size Total length of ø15.88 × 0.11	+	Liquid Piping Size Total length of ø15.88 × 0.2	+	Liquid Piping Size Total length of ø12.7 × 0.12
		(m) × 0.11 (kg/m) (ft) × 1.19 (oz/ft)		(m) × 0.2 (kg/m) (ft) × 2.16 (oz/ft)		(m) × 0.12 (kg/m) (ft) × 1.30 (oz/ft)
	+	Liquid Piping Size Total length of ø9.52 × 0.06	+	Liquid Piping Size Total length of ø6.35 × 0.024	+	
		(m) × 0.06 (kg/m) (ft) × 0.65 (oz/ft)		(m) × 0.024 (kg/m) (ft) × 0.26 (oz/ft)		
	+	BC controller (Standard/Main) 3.0kg [106oz]	+	BC controller (Sub) Total Units 1	BC controller (Sub) Per Unit 1.0kg [36oz]	
				2	2.0kg [71oz]	

Total Capacity of Connected Indoor Units	Per Indoor Unit
Models ~ 27	2.0 kg [71 oz]
Models 28 ~ 54	2.5 kg [89 oz]
Models 55 ~ 126	3.0 kg [106 oz]
Models 127 ~ 144	3.5 kg [124 oz]
Models 145 ~ 180	4.5 kg [159 oz]
Models 181 ~ 234	5.0 kg [177 oz]
Models 235 ~ 273	6.0 kg [212 oz]
Models 274 ~ 307	8.0 kg [283 oz]
Models 308 ~ 342	9.0 kg [318 oz]
Models 343 ~ 411	10.0 kg [353 oz]
Models 412 ~	12.0 kg [424 oz]

<Example>

Indoor	1: 80	A: ø28.58 [1-1/8]	40 m [131ft]	a: ø9.52 [3/8]	10 m [32ft]	} At the conditions below:
	2: 250	B: ø9.52 [3/8]	10 m [32ft]	b: ø9.52 [3/8]	5 m [16ft]	
	3: 32	C: ø9.52 [3/8]	20 m [64ft]	c: ø6.35 [1/4]	5 m [16ft]	
	4: 40	D: ø9.52 [3/8]	5 m [16ft]	d: ø6.35 [1/4]	10 m [32ft]	
	5: 32	E: ø9.52 [3/8]	5 m [16ft]	e: ø6.35 [1/4]	5 m [16ft]	
	6: 63	F: ø22.2 [7/8]	3 m [9ft]	f: ø9.52 [3/8]	5 m [16ft]	
		G: ø19.05 [3/4]	1 m [3ft]			

The total length of each liquid line is as follows:

ø28.58: A = 40 m [131ft]

ø22.2: F = 3 m [9ft]

ø19.05: G = 1 m [3ft]

ø9.52: C + D + E + a + b + f = 50 m [164ft]

ø6.35: c + d + e = 20 m [64ft]

Therefore, additional refrigerant charge

= 40m [131ft] × 0.36 kg/m [3.88 oz/ft] + 3 m [9 ft] × 0.23 kg/m [2.48 oz/ft] + 1 [3ft] × 0.16 kg/m [1.73 oz/ft] + 50m [164ft] × 0.06 kg/m [0.65 oz/ft] + 20 m [64ft] × 0.024 kg/m [0.26 oz/ft] + 2.0 kg [71 ft] + 2.0 kg [71ft] + 5.0 kg [176 oz] = 27.8 kg [981 oz]

■ Limitation of the amount of refrigerant to be charged (for PQRV-P-T(S)HMU-A/Y(S)HMU-A only)

The above calculation result of the amount of refrigerant to be charged must become below the value in the table below.

Heat source unit model	P72	P96	P120	P144	P168	P192	P216	P240
Maximum amount of refrigerant*1 kg [LBS]	26.3 [58]	32.8 [72]	33.8 [74]	45.5 [100]	47.0 [104]	58.2 [128]	67.2 [148]	70.9 [156]

*1: Amount of additional refrigerant to be charged on site



10.2. Precautions concerning piping connection and valve operation

- Conduct piping connection and valve operation accurately and carefully.

Removing the pinched connecting pipe

When shipped, a pinched connecting pipe is attached to the on site high-pressure and low-pressure valves to prevent gas leakage.

Take the following steps ① through ④ to remove the pinched connecting pipe before connecting refrigerant pipes to the heat source unit.

- ① Check that the refrigerant service valve is fully closed (clockwise).
- ② Connect a charging hose to the service port on the low-pressure/high-pressure refrigerant service valve, and extract the gas in the piping between the refrigerant service valve and the pinched connecting pipe (Tightening torque 12N·m).
- ③ After vacuuming gas from the pinched connecting pipe, sever the pinched connecting pipe at the location shown in [Fig.10.2.1] and drain the refrigerant.
- ④ After completing ② and ③, heat the brazed section to remove the pinched connecting pipe.

[Fig. 10.2.1] (P.8)

- <A> Service valve for refrigerant
(Liquid side/brazed for PQHY-P-T(S)HMMU-A/Y(S)HMMU-A)
(High-pressure side/brazed for PQRYP-T(S)HMMU-A/Y(S)HMMU-A)
- Service valve for refrigerant
(Gas side/brazed for PQHY-P-T(S)HMMU-A/Y(S)HMMU-A)
(Low-pressure side/brazed for PQRYP-T(S)HMMU-A/Y(S)HMMU-A)
- A Shaft
- B Service port
- C Cap
- D Pinched connecting pipe severing portion
- E Pinched connecting pipe brazing portion

⚠ Warning:

- The areas between the refrigerant service valves and the pinched connecting pipes are filled with gas and refrigerant oil. Extract the gas and refrigerant oil in that section before heating the brazed section.
 - If the brazed section is heated without first extracting the gas and refrigerant oil, the pipe may burst or the pinched connecting pipe may blow off and ignite the refrigerant oil, causing serious injury.

⚠ Caution:

- Place a wet towel on the refrigerant service valve before heating the brazed section to keep the valve temperature from exceeding 120 °C [248°F].
- Direct the flame away from the wiring and metal sheets inside the unit.

⚠ Caution:

- Refrigerant pipe connection**
This product includes connecting pipes for front piping. (Refer to [Fig.10.2.2])
Check the high-pressure/low-pressure piping dimensions before connecting the refrigerant pipe.
Refer to item 9.2 Refrigerant piping system for piping dimensions.
Make sure that the refrigerant pipe does not touch other refrigerants pipes, unit panels, or base plates.
Use non-oxidative brazing when connecting pipes.
Do not burn the wiring and plate when brazing.

<Example of refrigerant piping connection>

[Fig.10.2.2] (P.8)

- ① Connecting pipe (ID 19.05 [3/4], ID 15.88 [5/8]) <Included with heat source unit>
 - ② Connecting pipe (ID 25.4 [1], ID 19.05 [3/4]) <Included with heat source unit>
 - ③ Connecting pipe (ID 25.4 [1], ID 22.2 [7/8]) <Included with heat source unit>
 - ④ Connecting pipe (ID 19.05 [3/4], OD 25.4 [1]) <Included with heat source unit>
- <A> Front pipe routing
- Low-pressure side PQRYP-T(S)HMMU-A/Y(S)HMMU-A (Gas side PQHY-P-T(S)HMMU-A/Y(S)HMMU-A)
- <C> High-pressure side PQRYP-T(S)HMMU-A/Y(S)HMMU-A (Liquid side PQHY-P-T(S)HMMU-A/Y(S)HMMU-A)
- A Shape
- B Without a low-pressure twinning pipe
- C With a low-pressure twinning pipe (PQRYP-TSHMMU-A/YSHMMU-A ONLY)
- D Refrigerant service valve pipes
- E Field-supplied piping (low-pressure connecting pipe)
- F Field-supplied piping (high-pressure connecting pipe)
- G Twinning kit (sold separately)
- H Field-supplied piping (low-pressure connecting pipe: to BC controller)
- I Field-supplied piping (low-pressure connecting pipe: to heat source unit)
- J 75 mm [2-31/32 in] (reference)
- K ID ø25.4 mm [1 in] side
- L Portion removed

*1 To attach the Twinning pipe (sold separately), refer to the instructions included in the kit.

*2 Connection pipe is not used when the Twinning Kit is attached.

*3 Use a pipe cutter to sever.

• Pipe routing (for PQHY-P-THMU-A/YHMMU-A)

A	P72 : Expand the high-pressure side field-supplied piping (ID9.52 [3/8"]) and connect to the refrigerant service valve piping.
B	P72 : Use the included connecting pipe ②, ④ to connect. P96, P120 : Use the included connecting pipe ③ to connect.

• Pipe routing (for PQRYP-THMU-A/YHMMU-A)

A	P72 : Use the included connecting pipe ① to connect. P96, P120 : Expand the high-pressure side field-supplied piping (ID19.05 [3/4"]) and connect to the refrigerant service valve piping.
B	P72 : Use the included connecting pipe ② to connect. P96, P120 : Use the included connecting pipe ③ to connect.

Satisfy the minimum insertion depth in the table below when expanding field-supplied piping

Pipe diameter (mm [in])	Minimum insertion depth (mm [in])
5 [7/32] or more, less than 8 [11/32]	6 [1/4]
8 [11/32] or more, less than 12 [1/2]	7 [9/32]
12 [1/2] or more, less than 16 [21/32]	8 [11/32]
16 [21/32] or more, less than 25 [1]	10 [13/32]
25 [1] or more, less than 35 [1-13/32]	12 [1/2]
35 [1-13/32] or more, less than 45 [1-25/32]	14 [9/16]

- After evacuation and refrigerant charging, ensure that the handle is fully open. If keep the valve closed, the high- or low-pressure side of the refrigerant circuit may be subjected to abnormal pressure and may damage the compressor, four-way valve, etc.
- Determine the amount of additional refrigerant charge by using the formula, and charge refrigerant through the service port after connecting the pipes.
- Tighten the service port and cap securely so gas does not leak. (Refer to the table below for appropriate tightening torque.)

Appropriate tightening torque:

Outside diameter of copper pipe (mm)	Cap (N·m)	Shaft (N·m)	Size of hexagonal wrench (mm)	Service port (N·m)
ø9.52	15	6	4	12
ø12.7	20	9	4	
ø15.88	25	15	6	
ø19.05	25	30	8	
ø25.4	25	30	8	

⚠ Caution:

- **Keep the valve closed until the refrigerant charging is finished. Opening the valve before charging the refrigerant may cause damage to the unit.**
- **Do not use a leak detection additive.**

10.3. Airtight test, evacuation, and refrigerant charging

① **Airtight test**

Perform with the valve of the heat source unit closed, charging the refrigerant pressurize the connection piping and the indoor unit from the service port provided on the valve of the heat source unit. (Always pressurize from both the high-pressure pipe and the low-pressure pipe service ports.)

[Fig. 10.3.1] (P.9)

- | | | |
|---------------------|----------------------|--------------------|
| Ⓐ Nitrogen gas | Ⓑ To indoor unit | Ⓒ System analyzer |
| Ⓓ Low knob | Ⓔ High knob | Ⓕ Valve |
| Ⓔ Low-pressure pipe | Ⓕ High-pressure pipe | Ⓖ Heat source unit |
| Ⓖ Service port | | |

Observe the following restrictions when conducting the air tightness test to prevent negative effects on the refrigerating machine oil. Also, with nonazeotropic refrigerant (R410A), gas leakage causes the refrigerant composition to change and affects performance. Therefore, conduct the airtightness test cautiously.

Airtight test procedure	Restriction
<p>(1) After obtaining to the design pressure (4.15 MPa) using nitrogen gas, allow the system to stand for about one day. If the pressure does not drop, airtightness is good. However, if the pressure drops, and the leakage area is unknown, the following bubble test may also be performed.</p> <p>(2) After the pressurization described above, spray the flare connection parts, brazed parts, and other potential leakage areas with a bubbling agent (Kyuboflex, etc.) and visually check for bubbles.</p> <p>(3) After the airtight test, wipe off the bubbling agent.</p>	<ul style="list-style-type: none"> • If a flammable gas or air (oxygen) is used as the pressurization gas, it may catch fire or explode.

⚠ Caution:

Only use R410A refrigerant.

- Using other refrigerants such as R22 or R407C, which contains chlorine, will deteriorate the refrigerating machine oil or cause the compressor to malfunction.

② **Evacuation**

Evacuate with the valve of the heat source unit closed and evacuate both the connection piping and the indoor unit from the service port provided on the valve of the heat source unit using a vacuum pump. (Always evacuate from the service port of both the high-pressure pipe and the low-pressure pipe.) After the vacuum reaches 650 Pa [abs], evacuate for at least one hour or more. Then, stop the vacuum pump and leave it for 1 hour. Ensure the degree of vacuum has not increased. **(If the degree of vacuum increase is larger than 130 Pa, water might present. Apply pressure to dry nitrogen gas up to 0.05 MPa and vacuum again.)** Finally, seal in with the liquid refrigerant through the high-pressure pipe, and adjust the low-pressure piping to obtain an appropriate amount of the refrigerant for operation.

* Never perform air purging with refrigerant.

[Fig. 10.3.2] (P.9)

- | | | |
|----------------------------|---------------------|----------------------|
| Ⓐ System analyzer | Ⓑ Low knob | Ⓒ High knob |
| Ⓓ Valve (heat source unit) | Ⓔ Low-pressure pipe | Ⓕ High-pressure pipe |
| Ⓖ Service port | Ⓕ Three-way joint | Ⓖ Valve |
| Ⓖ Valve | Ⓖ R410A cylinder | Ⓖ Scale |
| Ⓖ Vacuum pump | Ⓖ To indoor unit | Ⓖ Heat source unit |

Note:

- **Always add the appropriate amount of refrigerant. Also always charge the system with liquid refrigerant.**
- **Use a gauge manifold, charging hose, and other parts for the refrigerant indicated on the unit.**
- **Use a gravimeter. (One that can measure down to 0.1 kg.)**
- **Use a vacuum pump with a reverse flow check valve.**
(Recommended vacuum gauge: ROBINAIR 14830A Thermistor Vacuum Gauge)
Also use a vacuum gauge that reaches 65 Pa [abs] or below after operating for five minutes.

③ **Refrigerant Charging**

Because the refrigerant used with the unit is nonazeotropic, it must be charged in the liquid state. Consequently, when charging the unit with refrigerant from a cylinder, if the cylinder does not have a siphon pipe, charge the liquid refrigerant by turning the cylinder upside-down as shown in Fig.10.3.3. If the cylinder has a siphon pipe like that shown in the picture on Fig.10.3.3, the liquid refrigerant can be charged with the cylinder standing upright. Follow the cylinder specifications carefully. If the unit should accidentally be charged with gas refrigerant, replace all the refrigerant with new refrigerant. Do not use the refrigerant remaining in the cylinder.

[Fig. 10.3.3] (P.9)

- | | |
|---------------|--|
| Ⓐ Siphon pipe | Ⓑ If the R410A cylinder does not have a siphon pipe. |
|---------------|--|

GB

10.4. Thermal insulation of refrigerant piping

Add insulation to refrigerant piping by covering high-pressure pipe and low-pressure pipe separately with enough heat resistant polyethylene, so that there isn't a gap insulation in the joint between indoor unit and insulation, and itself. When insulation is insufficient, there is a possibility of condensation, etc. Pay special attention to insulation in the ceiling plenum.

[Fig. 10.4.1] (P.9)

- (A) Steel wire
- (B) Piping
- (C) Asphaltic oily mastic or asphalt
- (D) Insulation material A
- (E) Outer covering B

Heat insulation material A	Glass fiber + Steel wire	
	Adhesive + Heat - resistant polyethylene foam + Adhesive tape	
Outer covering B	Indoor	Vinyl tape
	Floor exposed	Water-proof hemp cloth + Bronze asphalt
	Heat source	Water-proof hemp cloth + Zinc plate + Oily paint

Note:

- When using polyethylene as the insulation, asphalt shall not be required.
- Do not insulate the electric wires.

[Fig. 10.4.2] (P.9)

- (A) High-pressure pipe
- (B) Low-pressure pipe
- (C) Electric wire
- (D) Finishing tape
- (E) Insulation

[Fig. 10.4.3] (P.9)

Penetrations

[Fig. 10.4.4] (P.9)

- <A> Inside wall (concealed)
- <C> Outside wall (exposed)
- <E> Roof pipe shaft
- <F> Access hole on fire and boundary walls
- (A) Sleeve
- (C) Lagging
- (E) Band
- (G) Sleeve with edge
- (I) Mortar or other incombustible caulking
- (J) Explosion-resistant insulation
- Outside wall
- <D> Floor (waterproofing)
- (B) Insulation
- (D) Caulking material
- (F) Waterproofing layer
- (H) Lagging material

When filling a gap with mortar, cover the access hole part with steel plate so that the insulation will not caved in. Use incombustible materials for both insulation and covering. (Vinyl covering should not be used.)

- Insulation for the pipes to be added on site must meet the following specifications:

Heat source unit -BC controller for PQRY-P-T(S)HMU-A/Y(S)HMU-A	High-pressure pipe	10 mm [13/32"] or more
	Low-pressure pipe	20 mm [13/16"] or more
BC controller -indoor unit for PQRY-P-T(S)HMU-A/Y(S)HMU-A	Pipe size 6.35 mm to 25.4 mm [1/4" to 1"]	10 mm [13/32"] or more
	Pipe size 28.58 mm to 38.1 mm [1-1/8" to 1-21/32"]	15 mm [19/32"] or more
Heat source unit -indoor unit for PQRY-P-T(S)HMU-A/Y(S)HMU-A	Pipe size 6.35 mm to 25.4 mm [1/4" to 1"]	10 mm [13/32"] or more
	Pipe size 28.58 mm to 38.1 mm [1-1/8" to 1-21/32"]	15 mm [19/32"] or more
Temperature Resistance	100°C [212°F] min.	

- * If pipes are located in a high-temperature high-humidity environment, such as the top floor of a building, insulation thicker than the ones specified in the chart above.
- * When the client presents certain specifications, ensure that those also meet the specifications on the chart above.

11. Wiring (For details, refer to the installation manual of each unit and controller.)

11.1. Caution

- ① Follow ordinance of your governmental organization for technical standard related to electrical equipment, wiring regulations and guidance of each electric power company.
- ② Control wiring (hereinafter referred to as transmission line) shall be 5 cm or more apart from power source wiring so that it is not affected by electric noise from power source wiring (Do not insert transmission line and power source wire in the same conduit).
- ③ Provide designated grounding work to the heat source unit.
- ④ Include some allowance to wiring for the electrical control box on the indoor and heat source units, because these boxes are sometimes removed at the time of service work.
- ⑤ Never connect the main power source to the terminal block of the transmission line. If connected, electrical parts will burn out.
- ⑥ Use 2-core shield cable for the transmission line. If transmission lines of different systems are wired with the same multiplecore cable, the resultant poor transmitting and receiving will cause erroneous operations.
- ⑦ Only the transmission line specified should be connected to the terminal block for. The system will not operate with improper connection.
- ⑧ In the case of connecting a system controller or to conducting group operation in different refrigerant systems, a transmission line is required between the heat source units in different refrigerant systems. Connect the transmission between the terminal blocks for centralized control (two-wire line with no polarity).
- ⑨ Use the remote controller to set the groups.

11.2. Control box and connecting position of wiring

① Heat source unit

1. Remove the front panel of the control box by unscrewing the 4 screws, and pushing it up, then pulling it out.
2. Connect the indoor - heat source transmission line to the terminal block (TB3).
If multiple heat source units are connected in the same refrigerant system, daisy-chain TB3 (M1, M2, ↗ Terminal) on the heat source units. Connect the indoor - heat source transmission line to TB3 (M1, M2, ↗ Terminal) of only one of the heat source units.

3. Connect the transmission lines for centralized control (between the centralized control system and the heat source unit of different refrigerant systems) to the terminal block for centralized control (TB7). If the multiple heat source units are connected to the same refrigerant system, daisy-chain TB7 (M1, M2, S Terminal) on the heat source units. (*1)
*1: If TB7 on the heat source unit in the same refrigerant system is not daisy-chained, connect the transmission line for centralized control to TB7 on the OC (*2). If the OC is out of order, or if the centralized control is being conducted during the power supply shut-off, daisy-chain TB7 on the OC and OS (In the case that the heat source unit whose power supply connector CN41 on the control board has been replaced with CN40 is out of order or the power is shut-off, centralized control will not be conducted even when TB7 is daisy-chained).
*2: OC and OS of the heat source units in the same refrigerant system are automatically identified. They are identified as OC and OS in descending order of capacity (If the capacity is the same, they will be in ascending order of their address number).
4. The indoor-heat source transmission line, connect the shield ground to the grounding terminal (↗). For the centralized transmission lines, connect to the shield terminal (S) on the terminal block (TB7). If the heat source units whose power supply connector CN41 is replaced with CN40, short circuit the shield terminal (S) and the ground terminal (↗) in addition to the above.
5. Attach the connected wires securely with the cable strap at the bottom of the terminal block. External force applied to the terminal block may damage it, resulting in a short circuit, ground fault, or a fire.

[Fig. 11.2.1] (P.10)

- (A) Power source
- (C) Ground terminal
- (B) Transmission line

[Fig. 11.2.2] (P.10)

- (A) Cable strap
- (C) Ground terminal for field wiring connection
- (B) Power source cable

② Conduit tube installation

- Hammer the knockout holes for the conduit tube located on the base and the bottom part of the front panel.
- When installing the conduit tube directly through the knockout holes, remove burrs and protect the tube with masking tape.
- Use the conduit tube to narrow the opening if there is a possibility of small animals entering the unit.

11.3. Wiring transmission cables

① Types of control cables

1. Wiring transmission cables

- Types of transmission cables: Shielding wire CVVS, CPEVS or MVVS
- Cable diameter: More than 1.25 mm² [AWG16]
- Maximum wiring length: Within 200 m [656ft]
- Maximum length of transmission lines for centralized control and indoor/heat source transmission lines: 500 m [1640ft] at the maximum
The maximum length of wiring between power supply unit for transmission lines (for centralized control), and each heat source unit and system controller is 200 m [656ft].

2. Remote control cables

• M-NET Remote Controller

Type of remote control cable	Sheathed 2-core cable (unshielded) CVV
Cable diameter	0.3 to 1.25 mm ² (0.75 to 1.25 mm ²)*
Remarks	When 10 m is exceeded, use cable with the same specifications as 1. Wiring transmission cables.

• MA Remote Controller

Type of remote control cable	Sheathed 2-core cable (unshielded) CVV
Cable diameter	0.3 to 1.25 mm ² (0.75 to 1.25 mm ²)*
Remarks	Within 200 m

* Connected with simple remote controller.

② Wiring examples

- Controller name, symbol and maximum number of controllers.

	Name	Code	Possible unit connections
Heat source unit	Main unit	OC	– (*2)
	Sub unit	OS	– (*2)
BC controller	Main unit	BC	One controller for one OC
	Sub unit	BS	Zero, one or two controllers for one OC
Indoor unit	Indoor unit controller	IC	1 to 50 units per 1 OC (*1)
Remote controller	Remote controller (*1)	RC	2 units maximum per group
Other	Transmission booster unit	RP	0 to 2 units per 1 OC (*1)

*1 A transmission booster (RP) may be required, depending on the number of connected indoor unit controllers.

*2 OC and OS of the heat source units in the same refrigerant system are automatically identified. They are identified as in descending order of capacity. (If the capacity is the same, they will be in ascending order of their address number.)

Example of a group operation system with multiple heat source units (Shielding wires and address setting are necessary.)

<Examples of transmission cable wiring>

[Fig. 11.3.1] [Fig. 11.3.4] M-NET Remote Controller (P.10, 12)

*1: When the power supply unit is not connected to the transmission line for centralized control, disconnect the male power supply connector (CN41) from ONE heat source unit in the system and connect it to CN40.

*2: If a system controller is used, set SW2-1 on all of the heat source units to ON.

[Fig. 11.3.2] [Fig. 11.3.5] MA Remote Controller (P.11, 13)

<A> Change the jumper connector from CN41 to CN40

 SW2-1:ON

<C> Keep the jumper connector on CN41

(A) Group 1

(B) Group 3

(C) Group 5

(D) Shielded wire

(E) Sub remote controller

() Address

[Fig. 11.3.6] Combination of heat source units and transmission booster unit (P.13)

- () Address
- Daisy-chain terminals (TB3) on heat source units in the same refrigerant system together.
- Leave the power jumper connector on CN41 as it is. When connecting a system controller to the transmission line (TB7) for centralized control, refer to [Fig. 11.3.1]–[Fig. 11.3.4], or DATA BOOK.

<Wiring Method and Address Settings>

- Always use shielded wire when connecting the heat source unit (OC) and the indoor unit (IC), as well for all OC-OC, OC-OS and IC-IC wiring intervals.
- Use feed wiring to connect terminals M1 and M2 and the ground terminal \downarrow on the transmission line terminal block (TB3) of each heat source unit (OC) to terminals M1, M2 and terminal S on the transmission line block of the indoor unit (IC). For OC and OS, connect TB3 to TB3.
- Connect terminals 1 (M1) and 2 (M2) on the transmission line terminal block of the indoor unit (IC) that has the most recent address within the same group to the terminal block on the remote controller (RC).
- Connect together terminals M1, M2 and terminal S on the terminal block for central control (TB7) for the heat source unit in a different refrigerant system (OC). For OC and OS in the same refrigerant system, connect TB7 to TB7.
- When the power supply unit is not installed on the central control transmission line, change the jumper connector on the control board from CN41 to CN40 on only one heat source unit in the system.
- Connect the terminal S on the terminal block for central control (TB7) for the heat source unit (OC) for the unit into which the jumper connector was inserted into CN40 in the step above to the earth terminal \downarrow in the electrical component box.
- Set the address setting switch as follows.
 - * To set the heat source unit address to 100, the heat source address setting switch must be set to 50.

Unit	Range	Setting Method
Indoor unit (Main)	01 to 50	Use the most recent address within the same group of indoor units. With an R2 system with sub BC controllers, set the indoor unit address in the following order: ① Indoor units connected to the main BC controller ② Indoor units connected to BC sub controller 1 ③ Indoor units connected to BC sub controller 2 Set the indoor unit addresses so that all the addresses of ① are smaller than those of ②, and that all the addresses of ② are smaller than those of ③.
Indoor unit (Sub)	01 to 50	Use an address, other than that of the IC (Main) from the units within the same group of indoor units. This must be in sequence with the IC (Main)
Heat source Unit (OC, OS)	51 to 100	Set the addresses of the heat source units in the same refrigerant system in the order of sequence. OC and OS are automatically identified. (*1)
BC controller (Main)	51 to 100	Heat source unit address plus 1. When the set indoor unit address duplicates the address of another indoor unit, set the new address to a vacant address within the set range.
BC controller (Sub)	51 to 100	Lowest address within the indoor units connected to the BC controller (sub) plus 50
M-NET R/C (Main)	101 to 150	Set at an IC (Main) address within the same group plus 100
M-NET R/C (Sub)	151 to 200	Set at an IC (Main) address within the same group plus 150
MA R/C	-	Unnecessary address setting (Necessary main/sub setting)

- h. Group setting operation among the multiple indoor units is performed by the remote controller (RC) after the power has been turned on.
- i. When the centralized remote controller is connected to the system, set centralized control switches (SW2-1) on control boards in all heat source units (OC, OS) to "ON".

*1 OC and OS of the heat source units in the same refrigerant system are automatically identified. They are identified as OC and OS in descending order of capacity (If the capacity is the same, they are identified in the ascending order of their address number).

<Maximum Lengths>

① **M-NET Remote controller [Fig. 11.3.4] (P.12)**

- Max length via outdoor units: $L_1+L_2+L_3+L_4$ and $L_1+L_2+L_3+L_5$ and $L_1+L_2+L_6 \leq 500$ m [1,640 ft] (1.25 mm² [AWG 16] or more)
- Max transmission cable length: L_1 and L_3+L_4 and L_3+L_5 and L_6 and $L_2+L_6 \leq 200$ m [656 ft] (1.25 mm² [AWG 16] or more)
- Remote controller cable length: $\ell_1, \ell_2, \ell_3, \ell_4 \leq 10$ m [32 ft] (0.3 to 1.25 mm² [AWG 22 to 16])
If the length exceeds 10 m [32 ft], use a 1.25 mm² [AWG 16] shielded wire. The length of this section (L_8) should be included in the calculation of the maximum length and overall length.

② **MA Remote controller [Fig. 11.3.5] (P.13)**

- Max length via outdoor unit (M-NET cable): $L_1+L_2+L_3+L_4$ and $L_1+L_2+L_6 \leq 500$ m [1,640 ft] (1.25 mm² [AWG 16] or more)
- Max transmission cable length (M-NET cable): L_1 and L_3+L_4 and L_6 and $L_2+L_6 \leq 200$ m [656 ft] (1.25 mm² [AWG 16] or more)
- Remote controller cable length: m_1+m_2 and $m_1+m_2+m_3+m_4 \leq 200$ m [656 ft] (0.3 to 1.25 mm² [AWG 22 to 16])

③ **Transmission booster [Fig. 11.3.6] (P.13)**

- Max transmission cable length (M-NET cable):
 - ① $L_{11} + L_{12} + L_{13} + L_{14} + L_{16} + L_{17} \leq 200$ m [656 ft] (1.25 mm² [AWG 16])
 - ② $L_{11} + L_{12} + L_{13} + L_{14} + L_{16} + L_{18} \leq 200$ m [656 ft] (1.25 mm² [AWG 16])
 - ③ $L_{11} + L_{12} + L_{13} + L_{15} \leq 200$ m [656 ft] (1.25 mm² [AWG 16])
 - ④ $L_{17} + L_{16} + L_{14} + L_{15}, L_{15} + L_{14} + L_{16} + L_{18} \leq 200$ m [656 ft] (1.25 mm² [AWG 16])
- Remote controller cable length: $\ell_1, \ell_2 \leq 10$ m [32 ft] (0.3 to 1.25 mm² [AWG 22 to 16])
If the length exceeds 10 m [32 ft], use 1.25 mm² [AWG 16] shielded cable and calculate the length of that portion (L_{15} and L_{18}) as within the total extended length and the longest remote length.

11.4. Wiring of main power supply and equipment capacity

Schematic Drawing of Wiring (Example)

[Fig. 11.4.1] (P.13)

- (A) Switch (Breakers for wiring and current leakage) (B) Breakers for current leakage (C) Heat source unit
 (D) Pull box (E) Indoor unit (F) BC controller (standard or main) (F') BC controller (sub)

Thickness of wire for main power supply, capacities of the switch and system impedance

	Model	Unit combination	Minimum wire thickness (mm ² [AWG])			Switch (A)		Breker for wiring (NFB) (A)	Breaker for current leakage	Maximum Current (A)
			Main cable	Branch	Ground	Capacity	Fuse			
Heat source unit [PQHY-P-THMU-A]	PQHY-P72THMU-A	-	12.0 [3.3]	-	12.0 [3.3]	20.0	25.0	20.0	20A 30mA or 100mA 0.1sec. or less	18.8
	PQHY-P96THMU-A	-	10.0 [5.3]	-	10.0 [5.3]	30.0	30.0	30.0	30A 30mA or 100mA 0.1sec. or less	26.9
	PQHY-P120THMU-A	-	8.0 [8.4]	-	8.0 [8.4]	40.0	50.0	40.0	40A 100mA 0.1sec. or less	35.4
Heat source unit [PQHY-P-YHMU-A]	PQHY-P72YHMU-A	-	14.0 [2.1]	-	14.0 [2.1]	15.0	15.0	15.0	15A 30mA or 100mA 0.1sec. or less	8.5
	PQHY-P96YHMU-A	-	14.0 [2.1]	-	14.0 [2.1]	15.0	15.0	15.0	15A 30mA or 100mA 0.1sec. or less	12.1
	PQHY-P120YHMU-A	-	12.0 [3.3]	-	12.0 [3.3]	20.0	20.0	20.0	20A 30mA or 100mA 0.1sec. or less	16.0
Heat source unit [PQRY-P-THMU-A]	PQRY-P72THMU-A	-	12.0 [3.3]	-	12.0 [3.3]	20.0	25.0	20.0	20A 30mA or 100mA 0.1sec. or less	19.3
	PQRY-P96THMU-A	-	10.0 [5.3]	-	10.0 [5.3]	30.0	40.0	30.0	30A 30mA or 100mA 0.1sec. or less	27.6
	PQRY-P120THMU-A	-	8.0 [8.4]	-	8.0 [8.4]	40.0	50.0	40.0	40A 100mA 0.1sec. or less	36.4
Heat source unit [PQRY-P-YHMU-A]	PQRY-P72YHMU-A	-	14.0 [2.1]	-	14.0 [2.1]	15.0	15.0	15.0	15A 30mA or 100mA 0.1sec. or less	8.8
	PQRY-P96YHMU-A	-	14.0 [2.1]	-	14.0 [2.1]	15.0	15.0	15.0	15A 30mA or 100mA 0.1sec. or less	12.5
	PQRY-P120YHMU-A	-	12.0 [3.3]	-	12.0 [3.3]	20.0	20.0	20.0	20A 30mA or 100mA 0.1sec. or less	16.5
Indoor unit			0.41 [22]	0.41 [22]	0.41 [22]	15.0	15.0	15.0	20A 30mA or 100mA 0.1sec. or less	-

- Use dedicated power supplies for the heat source unit and indoor unit. Ensure OC and OS are wired individually.
- Bear in mind ambient conditions (ambient temperature, direct sunlight, rain water, etc.) when proceeding with the wiring and connections.
- The wire size is the minimum value for metal conduit wiring. If the voltage drops, use a wire that is one rank thicker in diameter. Make sure the power-supply voltage does not drop more than 10%.
- Specific wiring requirements should adhere to the wiring regulations of the region.
- Power supply cords of parts of appliances for heat source use shall not be lighter than polychloroprene sheathed flexible cord (design 245 IEC57).
- A switch with at least 3 mm contact separation in each pole shall be provided by the Air Conditioner installer.

⚠ Warning:

- Be sure to use specified wires for connections and ensure no external force is imparted to terminal connections. If connections are not fixed firmly, heating or fire may result.
- Be sure to use the appropriate type of overcurrent protection switch. Note that generated overcurrent may include some amount of direct current.

⚠ Caution:

- Some installation sites may require attachment of an earth leakage breaker for the inverter. If no earth leakage breaker is installed, there is a danger of electric shock.
- Do not use anything other than a breaker and fuse with the correct capacity. Using a fuse or wire of too large capacity may cause malfunction or fire.

12. Test run

12.1. The following phenomena do not represent faults.

Phenomenon	Display of remote controller	Cause
Indoor unit does not perform cooling (heating) operation.	"Cooling (heating)" flashes	When another indoor unit is performing the heating (cooling) operation, the cooling (heating) operation is not performed.
The auto vane rotates and begins to blow air horizontally.	Normal display	If air has been blowing downward for 1 hour during cooling, the unit may automatically change to horizontal blowing with the control operation of the auto vane. During defrosting or immediately after heating start-up/shut-down, the auto vane automatically rotates to blow air horizontally for a short period of time.
Fan setting changes during heating.	Normal display	Ultra-low speed operation is commenced at thermostat OFF. Light air automatically changes over to set value by time or piping temperature at thermostat ON.
Fan does not stop while operation has been stopped.	No lighting	The fan is set to run for 1 minute after stopping to exhaust residual heat (only in heating).
No setting of fan while start SW has been turned on.	Heat ready	Ultra low-speed operation for 5 minutes after SW ON or until piping temperature becomes 35°C, low speed operation for 2 minutes thereafter, and then set notch is commenced (Hot adjust control).
Indoor unit remote controller shows "H0" or "PLEASE WAIT" indicator for about five minutes when turning ON universal power supply.	"H0" or "PLEASE WAIT" flashes	The system is being started up. Operate remote controller again after "H0" or "PLEASE WAIT" disappears.
Drain pump does not stop when unit is stopped.	Light out	After cooling operation stops, the unit continues to operate drain pump for three minutes and then stops it.
Drain pump continues to operate while unit has been stopped.		Unit continues to operate drain pump if drainage is generated, even after the unit has been stopped.
Indoor unit emits noise when switching from heating to cooling and vice versa.	Normal display	This is a switching sound of the refrigerant circuit and does not imply a problem.
Immediately after startup, the indoor unit emits the sound of the refrigerant flow.	Normal display	Unstable flow of the refrigerant emits a sound. This is temporary and does not imply a problem.
Warm air comes from an indoor unit that is not performing a heating operation.	Normal display	The LEV is slightly open to prevent refrigerant, of the indoor unit that is not performing the heating operation, from being liquefied. This does not imply a problem.

13. Information on rating plate

PQHY-P-THMU-A

individual unit	PQHY-P72THMU-A	PQHY-P96THMU-A	PQHY-P120THMU-A
Module set	-		
Refrigerant(R410A)	5.0kg		
Allowable pressure(Ps)	HP:4.15MPa[601psi], LP:2.21MPa[320psi]		
Net weight	196kg [433LBS]		

individual unit	PQHY-P144TSHMU-A	PQHY-P168TSHMU-A	PQHY-P192TSHMU-A	PQHY-P216TSHMU-A	PQHY-P240TSHMU-A
Module set	P72 + P72	P96 + P72	P96 + P96	P120 + P96	P120 + P120
Refrigerant(R410A)	5.0kg + 5.0kg [(11LBS + 1 oz) + (11LBS + 1 oz)]				
Allowable pressure(Ps)	HP:4.15MPa[601psi], LP:2.21MPa[320psi]				
Net weight	196kg + 196kg [433LBS + 433LBS]				

individual unit	PQHY-P264TSHMU-A	PQHY-P288TSHMU-A	PQHY-P312TSHMU-A	PQHY-P336TSHMU-A	PQHY-P360TSHMU-A
Module set	P96 + P96 + P72	P96 + P96 + P96	P120 + P96 + P96	P120 + P120 + P96	P120 + P120 + P120
Refrigerant(R410A)	5.0 kg + 5.0 kg + 5.0 kg				
Allowable pressure(Ps)	HP:4.15MPa[601psi], LP:2.21MPa[320psi]				
Net weight	196kg + 196kg + 196kg [433LBS + 433LBS + 433LBS]				

PQRY-P-THMU-A

individual unit	PQRY-P72THMU-A	PQRY-P96THMU-A	PQRY-P120THMU-A
Module set	-		
Refrigerant(R410A)	5.0kg		
Allowable pressure(Ps)	HP:4.15MPa[601psi], LP:2.21MPa[320psi]		
Net weight	182kg [402LBS]		

individual unit	PQRY-P144TSHMU-A	PQRY-P168TSHMU-A	PQRY-P192TSHMU-A	PQRY-P216TSHMU-A	PQRY-P240TSHMU-A
Module set	P72 + P72	P96 + P72	P96 + P96	P120 + P96	P120 + P120
Refrigerant(R410A)	5.0kg + 5.0kg [(11LBS + 1 oz) + (11LBS + 1 oz)]				
Allowable pressure(Ps)	HP:4.15MPa[601psi], LP:2.21MPa[320psi]				
Net weight	182kg + 182kg [402LBS + 402LBS]				

PQHY-P-YHMU-A

individual unit	PQHY-P72YHMU-A	PQHY-P96YHMU-A	PQHY-P120YHMU-A
Module set	-		
Refrigerant(R410A)	5.0kg		
Allowable pressure(Ps)	HP:4.15MPa[601psi], LP:2.21MPa[320psi]		
Net weight	208kg [459LBS]		

individual unit	PQHY-P144YSHMU-A	PQHY-P168YSHMU-A	PQHY-P192YSHMU-A	PQHY-P216YSHMU-A	PQHY-P240YSHMU-A
Module set	P72 + P72	P96 + P72	P96 + P96	P120 + P96	P120 + P120
Refrigerant(R410A)	5.0kg + 5.0kg [(11LBS + 1 oz) + (11LBS + 1 oz)]				
Allowable pressure(Ps)	HP:4.15MPa[601psi], LP:2.21MPa[320psi]				
Net weight	208kg + 208kg [459LBS + 459LBS]				

individual unit	PQHY-P264YSHMU-A	PQHY-P288YSHMU-A	PQHY-P312YSHMU-A	PQHY-P336YSHMU-A	PQHY-P360YSHMU-A
Module set	P96 + P96 + P72	P96 + P96 + P96	P120 + P96 + P96	P120 + P120 + P96	P120 + P120 + P120
Refrigerant(R410A)	5.0 kg + 5.0 kg + 5.0 kg				
Allowable pressure(Ps)	HP:4.15MPa[601psi], LP:2.21MPa[320psi]				
Net weight	208kg + 208kg + 208kg [459LBS + 459LBS + 459LBS]				

PQRY-P-YHMU-A

individual unit	PQRY-P72YHMU-A	PQRY-P96YHMU-A	PQRY-P120YHMU-A
Module set	-		
Refrigerant(R410A)	5.0kg		
Allowable pressure(Ps)	HP:4.15MPa[601psi], LP:2.21MPa[320psi]		
Net weight	194kg [428LBS]		

individual unit	PQRY-P144YSHMU-A	PQRY-P168YSHMU-A	PQRY-P192YSHMU-A	PQRY-P216YSHMU-A	PQRY-P240YSHMU-A
Module set	P72 + P72	P96 + P72	P96 + P96	P120 + P96	P120 + P120
Refrigerant(R410A)	5.0kg + 5.0kg [(11LBS + 1 oz) + (11LBS + 1 oz)]				
Allowable pressure(Ps)	HP:4.15MPa[601psi], LP:2.21MPa[320psi]				
Net weight	194kg + 194kg [428LBS + 428LBS]				

Contenu

1. Précautions de sécurité	29	9. Installation de la tuyauterie du frigorigène	35
1.1. Avant installation et travaux électriques	29	9.1. Mises en garde	35
1.2. Précautions pour les appareils qui utilisent le frigorigène R410A	29	9.2. Système de tuyauterie du frigorigène	36
1.3. Avant l'installation	30	10. Charge supplémentaire de frigorigène	37
1.4. Avant l'installation (déménagement) - travaux électriques	30	10.1. Calcul de la charge supplémentaire de frigorigène	37
1.5. Avant de commencer l'essai	30	10.2. Précautions concernant les connexions de la tuyauterie et le fonctionnement de la valve	38
2. À propos du produit	30	10.3. Test d'herméticité, évacuation et chargement de frigorigène	39
3. Combinaison d'unités extérieures	31	10.4. Isolation thermique de la tuyauterie du frigorigène	39
4. Spécifications	31	11. Câblage (pour les détails, reportez-vous au manuel d'installation de chaque unité et du contrôleur)	40
5. Liste des pièces	32	11.1. Mises en garde	40
6. Transport de l'unité	32	11.2. Boîtier de commande et emplacement pour le raccordement des câbles	40
7. Installation	33	11.3. Raccordement des câbles de transmission	41
7.1. Installation	33	11.4. Câblage de l'alimentation principale et capacité des équipements	43
7.2. Espace de service	33	12. Essai de fonctionnement	43
8. Installation du tuyau d'eau	33	12.1. Les phénomènes suivants ne représentent pas des défauts	43
8.1. Précautions à prendre pendant l'installation	33	13. Informations de la plaque signalétique	44
8.2. Mise en place de l'isolation	33		
8.3. Traitement de l'eau et contrôle de la qualité de l'eau	33		
8.4. Engrenage des pompes	34		

1. Précautions de sécurité

1.1. Avant installation et travaux électriques

- ▶ Avant d'installer l'unité, ne manquez pas de lire toutes les "Précautions de sécurité".
- ▶ Les "Précautions de sécurité" fournissent des points très importants concernant la sécurité. Ne manquez pas de les observer.

Symboles utilisés dans le texte

⚠ Avertissement :

Décrit les précautions qui doivent être prises pour éviter les risques de blessure ou de mort de l'utilisateur.

⚠ Attention :

Décrit les précautions qui doivent être prises pour éviter d'endommager l'unité.

Symboles utilisés dans les illustrations

⊘ : Indique une action qui doit être évitée.

⚠ : Indique que des instructions importantes doivent être observées.

⚡ : Indique une pièce qui doit être mise à la terre.

⚠ : Attention au choc électrique. (Ce symbole est affiché sur l'étiquette de l'unité principale.) <Couleur : jaune>

- ⚠ **Avertissement :**
Lisez soigneusement les étiquettes apposées sur l'unité principale.

⚠ AVERTISSEMENT DE HAUTE TENSION :

- Le boîtier de commande abrite des pièces à haute tension.
- En ouvrant ou en fermant le panneau avant du boîtier de commande, ne le laissez pas venir en contact avec des composants internes.
- Avant d'inspecter l'intérieur de la boîte de commande, coupez le courant, laissez l'unité hors circuit pendant au moins 10 minutes, et confirmez que la tension entre FT-P et FT-N sur le panneau INV a chuté à 20 Vcc ou moins.
(La décharge de l'électricité prend environ 10 minutes après la coupure du courant.)

⚠ Avertissement :

- Le circuit d'eau devrait être un circuit fermé.
- Demandez au distributeur ou à un technicien autorisé d'installer le climatiseur.
 - Une installation incorrecte par l'utilisateur peut avoir comme conséquence une fuite d'eau, un choc électrique ou un incendie.
- Installez l'unité à un endroit qui peut soutenir son poids.
 - Si ce n'est pas pris en compte, l'unité peut tomber et blesser quelqu'un ou être endommagée.
- Utilisez les câbles spécifiés pour le câblage. Faites des branchements solides de sorte que la force extérieure du câble ne soit pas appliquée aux bornes.
 - Un branchement et une fixation inadéquats peuvent s'échauffer et causer un incendie.
- Soyez préparé en cas de vents forts et de tremblements de terre et installez l'unité à la place indiquée.
 - Une installation incorrecte peut faire renverser l'unité et provoquer des blessures ou endommager l'unité.
- Utilisez toujours les filtres et autres accessoires spécifiés par Mitsubishi Electric.
 - Demandez à un technicien autorisé d'installer les accessoires. Une installation incorrecte par l'utilisateur peut avoir comme conséquence une fuite d'eau, un choc électrique ou un incendie.
- Ne réparez jamais l'unité. Si le climatiseur doit être réparé, consultez le distributeur.

- Une réparation incorrecte par l'utilisateur peut avoir comme conséquence une fuite d'eau, un choc électrique ou un incendie.
- Ne touchez pas aux ailettes de l'échangeur de chaleur.
- En cas de fuite de gaz frigorigène pendant l'installation, aérez la pièce.
 - Si le gaz frigorigène vient en contact avec une flamme, des gaz toxiques se dégagent.
- Installez le climatiseur conformément à ce Manuel d'installation.
 - Une installation incorrecte peut avoir comme conséquence une fuite d'eau, un choc électrique ou un incendie.
- Faites effectuer tous les travaux électriques par un électricien licencié selon les "Normes techniques des installations électriques", les "Règlements relatifs aux câblages intérieurs" et les instructions données dans ce manuel, et utilisez toujours une alimentation dédiée.
 - Si la source d'énergie est inadéquate ou les travaux électriques sont exécutés incorrectement, un risque de choc électrique et d'incendie peut en résulter.
- Maintenez les pièces électriques à l'abri de l'eau (eau de lavage etc.).
 - Sinon une électrocution, un incendie ou de la fumée pourrait en résulter.
- Installez sécuritairement le capot des bornes de l'unité extérieure (panneau).
 - Si le capot des bornes (panneau) n'est pas installé correctement, la poussière ou l'eau peut pénétrer dans l'unité extérieure et un incendie ou un choc électrique peut en résulter.
- En installant et en déplaçant le climatiseur vers un autre site, ne le chargez pas avec un frigorigène différent de celui qui est spécifié sur l'unité.
 - Si un autre frigorigène ou de l'air est mélangé au frigorigène original, le cycle frigorifique peut mal fonctionner et l'unité peut être endommagée.
- Si le climatiseur est installé dans une petite pièce, des mesures doivent être prises pour empêcher la concentration en frigorigène de dépasser la limite de sécurité en cas de fuite du frigorigène.
 - Consultez le distributeur au sujet des mesures appropriées pour empêcher la limite de sécurité d'être excédée. En cas de fuite du frigorigène et de dépassement de la limite de sécurité, les risques dus au manque d'oxygène dans la pièce peuvent exister.
- Pour déménager et réinstaller le climatiseur, consultez le distributeur ou un technicien autorisé.
 - Une installation incorrecte du climatiseur peut avoir comme conséquence une fuite d'eau, un choc électrique ou un incendie.
- Après avoir terminé les travaux d'installation, vérifiez que le gaz frigorigène ne fuit pas.
 - Si le gaz frigorigène fuit et est exposé à un radiateur-ventilateur, cuisinière, four ou toute autre source de chaleur, des gaz nocifs peuvent se produire.
- Ne reconstruisez pas ou ne changez pas les configurations des dispositifs de protection.
 - Si le pressostat, le rupteur thermique, ou autre dispositif de protection est court-circuité ou forcé, ou si des pièces autres que celles spécifiées par Mitsubishi Electric sont utilisées, un incendie ou une explosion peut en résulter.
- Pour éliminer ce produit, consultez votre distributeur.
- L'installateur et le spécialiste système assureront la sécurité contre les fuites conformément aux normes et règlements locaux.
 - Choisissez la taille de câble appropriée et les capacités du commutateur d'alimentation principale indiquées dans le présent manuel si les règlements locaux ne sont pas disponibles.
- Faites particulièrement attention au lieu de l'installation, telle qu'un sous-sol, etc. où le gaz frigorigène peut s'accumuler étant donné qu'il est plus lourd que l'air.

1.2. Précautions pour les appareils qui utilisent le frigorigène R410A

⚠ Attention :

- N'utilisez pas la tuyauterie de frigorigène existante.
 - L'ancien frigorigène et l'huile frigorifique présents dans la tuyauterie existante contiennent une grande quantité de chlore qui peut détériorer l'huile frigorifique de la nouvelle unité.
 - Le R410A est un frigorigène à haute pression qui peut faire éclater la tuyauterie existante.

- Utilisez une tuyauterie de frigorigène en cuivre désoxydé au phosphore et des tuyaux et tubulures en alliage de cuivre sans soudure. En outre, assurez-vous que les surfaces intérieures et extérieures des tuyaux sont propres et dépourvues de soufre, d'oxydes, de poussières/saletés, de particules de rasage, d'huile, d'humidité, ou de n'importe quel autre contaminant dangereux.
 - Les contaminants à l'intérieur de la tuyauterie du frigorigène peuvent détériorer l'huile frigorigère.
- Entrez l'intérieur la tuyauterie à utiliser pour l'installation et gardez scellées les deux extrémités de la tuyauterie jusqu'au moment du brasage. (Stockez les coudes et autres raccords dans un sac en plastique.)
 - Si de la poussière, des saletés, ou de l'eau pénètre dans le cycle frigorigère, il peut s'ensuivre une détérioration de l'huile et du compresseur.
- Appliquez une petite quantité d'huile d'ester, huile d'éther ou alkylbenzène aux évaselements (pour l'unité d'intérieur).
 - L'infiltration d'une grande quantité d'huile minérale peut détériorer l'huile frigorigère.
- Utilisez un frigorigène liquide pour remplir le système.
 - Si un gaz frigorigène est utilisé pour remplir le système, la composition du frigorigène dans le cylindre change et la performance peut chuter.
- N'utilisez pas de frigorigène autre que le R410A.
 - Si un autre frigorigène (R22, etc.) est mélangé au R410A, le chlore dans le frigorigène peut détériorer l'huile frigorigère.
- Utilisez une pompe à vide avec clapet anti-retour de flux inverse.
 - L'huile de la pompe à vide peut refluer dans le cycle frigorigère et détériorer l'huile frigorigère.
- N'utilisez pas les outils suivants qui sont utilisés avec les frigorigènes conventionnels. (Manomètre de pression, tuyau flexible de charge, détecteur de fuite de gaz, clapet anti-retour de flux inverse, base de charge du frigorigène, équipement de récupération du frigorigène)
 - Si un frigorigène conventionnel et de l'huile frigorigère sont mélangés avec le R410A, le frigorigène peut être détérioré.
 - Si de l'eau est mélangée au R410A, l'huile frigorigère peut être détériorée.
 - Puisque le R410A ne contient aucun chlore, les détecteurs de fuite de gaz pour les frigorigènes conventionnels ne réagissent pas.
- N'utilisez pas de cylindre de chargement.
 - Utiliser un cylindre de chargement peut détériorer le frigorigène.
- Faites particulièrement attention en manipulant les outils.
 - Si de la poussière, des saletés ou de l'eau pénètre dans le cycle frigorigère, le frigorigène peut se détériorer.

1.3. Avant l'installation

⚠ Attention :

- N'installez pas l'unité là où un gaz combustible peut fuir.
 - Si le gaz fuit et s'accumule autour de l'unité, une explosion peut se produire.
- N'utilisez pas le climatiseur là où se trouve de la nourriture, des animaux domestiques, des plantes, des instruments de précision ou des objets d'art.
 - La qualité de la nourriture, etc. peut se détériorer.
- N'utilisez pas le climatiseur dans des environnements spéciaux.
 - L'huile, la vapeur, la fumée sulfurique, etc. peuvent réduire de manière significative la performance du climatiseur ou endommager ses pièces.
- En installant l'unité dans un hôpital, un centre de transmission ou site semblable, assurez une protection suffisante contre le bruit.
 - Les convertisseurs, les générateurs privés d'alimentation électrique, les équipements médicaux à haute fréquence ou les équipements de radiocommunication peuvent provoquer le dysfonctionnement du climatiseur, ou l'empêcher de fonctionner. D'un autre côté, le climatiseur peut affecter le fonctionnement de ces équipements en raison du bruit qui gêne le traitement médical ou la transmission d'images.
- N'installez pas l'unité sur ou au-dessus de choses sujettes à l'endommagement par l'eau.
 - Quand l'humidité de la pièce excède 80% ou lorsque le drain est obstrué, la condensation peut s'égoutter d'une unité d'intérieur. Exécutez un travail de drainage collectif avec l'unité extérieure, selon besoins.

1.4. Avant l'installation (déménagement) - travaux électriques

⚠ Attention :

- Mettez l'unité à la terre.
 - Ne connectez pas le fil de terre aux conduites de gaz ou d'eau, aux paratonnerres, ou aux lignes de terre du téléphone. Une mise à la terre incorrecte peut avoir comme conséquence un choc électrique.

2. À propos du produit

- Cette unité utilise le frigorigène de type R410A.
- Pour les systèmes utilisant le R410A, la tuyauterie peut être différente de celle des systèmes utilisant un frigorigène conventionnel parce que les systèmes utilisant le R410A sont conçus pour fonctionner à des pressions plus élevées. Reportez-vous au Livre de données pour plus d'information.
- Certains outils et équipements utilisés pour l'installation de systèmes fonctionnant avec d'autres types de frigorigènes ne peuvent pas être utilisés pour les systèmes fonctionnant avec le R410A. Reportez-vous au Livre de données pour plus d'information.

- Ne connectez jamais en phases inversées. Ne connectez jamais les lignes d'alimentation L1, L2 et L3 à la borne N.
 - Si le câblage est erroné, certains composants électriques seront endommagés lors de la mise sous tension de l'unité.
- Installez le câble d'alimentation de sorte que la tension ne soit pas appliquée au câble.
 - La tension peut fracturer le câble, produire un échauffement et causer un incendie.
- Installez un disjoncteur de fuite, selon besoins.
 - Si un disjoncteur de fuite n'est pas installé, un choc électrique peut en résulter.
- Utilisez des câbles d'alimentation ayant une capacité de charge et une valeur nominale suffisantes.
 - Les câbles qui sont trop petits peuvent fuir, s'échauffer, et provoquer un incendie.
- Utilisez seulement un disjoncteur et un fusible de la capacité spécifiée.
 - Un fusible ou un disjoncteur d'une plus grande capacité, ou utiliser à la place un simple fil d'acier ou de cuivre peuvent avoir comme conséquence une défaillance générale de l'unité ou un incendie.
- Ne lavez pas le climatiseur.
 - Le lavage peut causer une décharge électrique.
- Assurez-vous que la base d'installation n'a pas été endommagée par suite d'un usage prolongé.
 - Si les dommages ne sont pas réparés, l'unité peut tomber et causer des blessures ou des dégâts matériels.
- Installez la tuyauterie de drainage conformément à ce Manuel d'installation pour assurer un drainage approprié. Enveloppez les tubes d'isolation thermique pour empêcher la condensation.
 - Une tuyauterie de drainage inappropriée peut causer une fuite d'eau et endommager le mobilier et autres objets.
- Faites très attention lors du transport du produit.
 - Le produit ne doit pas être porté par une seule personne. Son poids excède 20 kg [45LBS].
 - Certains produits utilisent des bandes PP pour l'emballage. N'utilisez pas de bande PP en tant que moyen de transport. C'est dangereux.
 - Ne touchez pas aux ailettes de l'échangeur de chaleur. Vous pourriez couper vos doigts.
 - Pour transporter l'unité extérieure, supportez-la aux positions indiquées sur la base. Supportez également l'unité extérieure sur quatre points de sorte qu'elle ne puisse pas glisser de côté.
- Éliminez sécuritairement les matériaux d'emballage.
 - Les matériaux d'emballage, tels que des clous et autres pièces en métal ou en bois, peuvent causer des blessures.
 - Déchirez et jetez les sacs d'emballage en plastique de sorte que les enfants ne jouent pas avec. Si des enfants jouent avec un sac en plastique qui n'a pas été déchiré, ils risquent de suffoquer.

1.5. Avant de commencer l'essai

⚠ Attention :

- Mettez sous tension pendant au moins 12 heures avant de mettre en route.
 - Mettre en route immédiatement après la mise sous tension peut causer des dommages irréversibles aux pièces internes. Laissez l'interrupteur de courant en position sous tension pendant la saison d'exploitation. Vérifiez l'ordre de phase de l'alimentation et la tension entre chaque phase.
- Ne touchez pas les interrupteurs avec des doigts mouillés.
 - Toucher un interrupteur avec des doigts mouillés peut causer une décharge électrique.
- Ne touchez pas les tubes de frigorigène pendant et immédiatement après le fonctionnement.
 - Pendant et juste après le fonctionnement, les tubes de frigorigène peuvent être chauds ou froids, selon l'état du frigorigène s'écoulant dans la tuyauterie, le compresseur et autres pièces du cycle frigorigère. Vos mains peuvent subir des brûlures ou gelures si vous touchez les tubes de frigorigère.
- Ne faites pas fonctionner le climatiseur avec les panneaux et protections retirés.
 - Les pièces rotatives, chaudes, ou sous haute tension peuvent causer des blessures.
- Ne coupez pas le courant immédiatement après avoir arrêté le fonctionnement.
 - Attendez toujours au moins 5 minutes avant de couper le courant. Autrement, une fuite de l'eau de drainage ou une défaillance mécanique des pièces sensibles pourrait se produire.
- Ne touchez pas la surface du compresseur pendant l'entretien.
 - Si l'appareil est connecté à une alimentation et n'est pas en marche, le chauffage à carter situé à la base du compresseur peut encore fonctionner.

- N'utilisez pas la tuyauterie existante, car elle contient du chlore, qui est présent dans l'huile et le frigorigène de machines conventionnelles de frigorigération. Ce chlore détériore l'huile réfrigérante de machine dans le nouvel équipement. La tuyauterie existante ne doit pas être utilisée car la pression de conception dans les systèmes utilisant le R410A est plus élevée que celle des systèmes utilisant d'autres types de frigorigène et les tuyaux existants peuvent éclater.

3. Combinaison d'unités extérieures

Les modules PQHY-P72 à P360 THMU-A sont listés ci-dessous.

Nom de modèle	Module		
PQHY-P72THMU-A	PQHY-P72THMU-A	-	-
PQHY-P96THMU-A	PQHY-P96THMU-A	-	-
PQHY-P120THMU-A	PQHY-P120THMU-A	-	-
PQHY-P144TSHMU-A	PQHY-P72THMU-A	PQHY-P72THMU-A	-
PQHY-P168TSHMU-A	PQHY-P96THMU-A	PQHY-P72THMU-A	-
PQHY-P192TSHMU-A	PQHY-P96THMU-A	PQHY-P96THMU-A	-
PQHY-P216TSHMU-A	PQHY-P120THMU-A	PQHY-P96THMU-A	-
PQHY-P240TSHMU-A	PQHY-P120THMU-A	PQHY-P120THMU-A	-
PQHY-P264TSHMU-A	PQHY-P96THMU-A	PQHY-P96THMU-A	PQHY-P72THMU-A
PQHY-P288TSHMU-A	PQHY-P96THMU-A	PQHY-P96THMU-A	PQHY-P96THMU-A
PQHY-P312TSHMU-A	PQHY-P120THMU-A	PQHY-P96THMU-A	PQHY-P96THMU-A
PQHY-P336TSHMU-A	PQHY-P120THMU-A	PQHY-P120THMU-A	PQHY-P96THMU-A
PQHY-P360TSHMU-A	PQHY-P120THMU-A	PQHY-P120THMU-A	PQHY-P120THMU-A

Les modules PQRY-P72 à P240 THMU-A sont listés ci-dessous.

Nom de modèle	Module		
PQRY-P72THMU-A	PQRY-P72THMU-A	-	-
PQRY-P96THMU-A	PQRY-P96THMU-A	-	-
PQRY-P120THMU-A	PQRY-P120THMU-A	-	-
PQRY-P144TSHMU-A	PQRY-P72THMU-A	PQRY-P72THMU-A	-
PQRY-P168TSHMU-A	PQRY-P96THMU-A	PQRY-P72THMU-A	-
PQRY-P192TSHMU-A	PQRY-P96THMU-A	PQRY-P96THMU-A	-
PQRY-P216TSHMU-A	PQRY-P120THMU-A	PQRY-P96THMU-A	-
PQRY-P240TSHMU-A	PQRY-P120THMU-A	PQRY-P120THMU-A	-

Les modules PQHY-P72 à P360 YHMu-A sont listés ci-dessous.

Nom de modèle	Module		
PQHY-P72YHMu-A	PQHY-P72YHMu-A	-	-
PQHY-P96YHMu-A	PQHY-P96YHMu-A	-	-
PQHY-P120YHMu-A	PQHY-P120YHMu-A	-	-
PQHY-P144YHMu-A	PQHY-P72YHMu-A	PQHY-P72YHMu-A	-
PQHY-P168YHMu-A	PQHY-P96YHMu-A	PQHY-P72YHMu-A	-
PQHY-P192YHMu-A	PQHY-P96YHMu-A	PQHY-P96YHMu-A	-
PQHY-P216YHMu-A	PQHY-P120YHMu-A	PQHY-P96YHMu-A	-
PQHY-P240YHMu-A	PQHY-P120YHMu-A	PQHY-P120YHMu-A	-
PQHY-P264YHMu-A	PQHY-P96YHMu-A	PQHY-P96YHMu-A	PQHY-P72YHMu-A
PQHY-P288YHMu-A	PQHY-P96YHMu-A	PQHY-P96YHMu-A	PQHY-P96YHMu-A
PQHY-P312YHMu-A	PQHY-P120YHMu-A	PQHY-P96YHMu-A	PQHY-P96YHMu-A
PQHY-P336YHMu-A	PQHY-P120YHMu-A	PQHY-P120YHMu-A	PQHY-P96YHMu-A
PQHY-P360YHMu-A	PQHY-P120YHMu-A	PQHY-P120YHMu-A	PQHY-P120YHMu-A

Les modules PQRY-P72 à P240 YHMu-A sont listés ci-dessous.

Nom de modèle	Module		
PQRY-P72YHMu-A	PQRY-P72YHMu-A	-	-
PQRY-P96YHMu-A	PQRY-P96YHMu-A	-	-
PQRY-P120YHMu-A	PQRY-P120YHMu-A	-	-
PQRY-P144YHMu-A	PQRY-P72YHMu-A	PQRY-P72YHMu-A	-
PQRY-P168YHMu-A	PQRY-P96YHMu-A	PQRY-P72YHMu-A	-
PQRY-P192YHMu-A	PQRY-P96YHMu-A	PQRY-P96YHMu-A	-
PQRY-P216YHMu-A	PQRY-P120YHMu-A	PQRY-P96YHMu-A	-
PQRY-P240YHMu-A	PQRY-P120YHMu-A	PQRY-P120YHMu-A	-

4. Spécifications

PQHY-P-THMU-A

Modèle	PQHY-P72THMU-A	PQHY-P96THMU-A	PQHY-P120THMU-A	PQHY-P144TSHMU-A	PQHY-P168TSHMU-A	PQHY-P192TSHMU-A	PQHY-P216TSHMU-A	PQHY-P240TSHMU-A
Niveau de pression sonore	47dB<A>	49dB<A>	51dB<A>	50dB<A>	51dB<A>	52dB<A>	53,0dB<A>	54dB<A>
Poids net	196kg [433LBS]			196kg + 196kg [433LBS + 433LBS]				
Pression hydraulique max.	2,0MPa [290psi]							
Réfrigérant	R410A: 5,0kg				R410A: 5,0kg + 5,0kg [(11LBS + 1 oz) + (11LBS + 1 oz)]			
Unités d'intérieur	50 ~ 130% ^{*1}							
	06 ~ 96							
	Quantité	1 ~ 15	1 ~ 20	1 ~ 26	1 ~ 31	1 ~ 36	1 ~ 41	2 ~ 46
Température de fonctionnement	Temp. eau à l'aspiration: 10°C ~ 45°C [50°F ~ 113°F]							

Modèle	PQHY-P264TSHMU-A	PQHY-P288TSHMU-A	PQHY-P312TSHMU-A	PQHY-P336TSHMU-A	PQHY-P360TSHMU-A
Niveau de pression sonore	53dB<A>	54,0dB<A>	54,5dB<A>	55dB<A>	56dB<A>
Poids net	196kg + 196kg + 196kg [433LBS + 433LBS + 433LBS]				
Pression hydraulique max.	2,0MPa [290psi]				
Réfrigérant	R410A: 5,0 kg + 5,0 kg + 5,0 kg				
Unités d'intérieur	50 ~ 130% ^{*1}				
	06 ~ 96				
	Quantité	2 ~ 50	2 ~ 50	2 ~ 50	2 ~ 50
Température de fonctionnement	Temp. eau à l'aspiration: 10°C ~ 45°C [50°F ~ 113°F]				

*1 : La capacité totale d'unités d'intérieur fonctionnant simultanément est au plus de 130%.

PQRY-P-THMU-A

Modèle	PQRY-P72THMU-A	PQRY-P96THMU-A	PQRY-P120THMU-A	PQRY-P144TSHMU-A	PQRY-P168TSHMU-A	PQRY-P192TSHMU-A	PQRY-P216TSHMU-A	PQRY-P240TSHMU-A
Niveau de pression sonore	47dB<A>	49dB<A>	51dB<A>	50dB<A>	51dB<A>	52dB<A>	53,0dB<A>	54dB<A>
Poids net	182kg [402LBS]			182kg + 182kg [402LBS + 402LBS]				
Pression hydraulique max.	2,0MPa [290psi]							
Réfrigérant	R410A: 5,0kg				R410A: 5,0kg + 5,0kg [(11LBS + 1 oz) + (11LBS + 1 oz)]			
Unités d'intérieur	50 ~ 150% ^{*1}							
	06 ~ 96							
	Quantité	1 ~ 18	1 ~ 24	1 ~ 30	1 ~ 36	1 ~ 42	1 ~ 48	2 ~ 50 ^{*2}
Température de fonctionnement	Temp. eau à l'aspiration: 10°C ~ 45°C [50°F ~ 113°F]							

*1 : La capacité totale d'unités d'intérieur fonctionnant simultanément est au plus de 150%.

*2 : Le nombre de câbles de branchement connectables est de 48 maximum.



PQHY-P-YHMU-A

Modèle	PQHY-P72YHMU-A	PQHY-P96YHMU-A	PQHY-P120YHMU-A	PQHY-P144YSHMU-A	PQHY-P168YSHMU-A	PQHY-P192YSHMU-A	PQHY-P216YSHMU-A	PQHY-P240YSHMU-A
Niveau de pression sonore	47dB<A>	49dB<A>	51dB<A>	50dB<A>	51dB<A>	52dB<A>	53,0dB<A>	54dB<A>
Poids net	208kg [459LBS]			208kg + 208kg [459LBS + 459LBS]				
Pression hydraulique max.	2,0MPa [290psi]							
Réfrigérant	R410A: 5,0kg			R410A: 5,0kg + 5,0kg [(11LBS + 1 oz) + (11LBS + 1 oz)]				
Unités d'intérieur	Capacité totale	50 ~ 130% ^{*1}						
	Modèle	06 ~ 96						
	Quantité	1 ~ 15	1 ~ 20	1 ~ 26	1 ~ 31	1 ~ 36	1 ~ 41	2 ~ 46
Température de fonctionnement	Temp. eau à l'aspiration: 10°C ~ 45°C [50°F ~ 113°F]							

Modèle	PQHY-P264YSHMU-A	PQHY-P288YSHMU-A	PQHY-P312YSHMU-A	PQHY-P336YSHMU-A	PQHY-P360YSHMU-A
Niveau de pression sonore	53dB<A>	54,0dB<A>	54,5dB<A>	55dB<A>	56dB<A>
Poids net	208kg + 208kg + 208kg [459LBS + 459LBS + 459LBS]				
Pression hydraulique max.	2,0MPa [290psi]				
Réfrigérant	R410A: 5,0 kg + 5,0 kg + 5,0 kg				
Unités d'intérieur	Capacité totale	50 ~ 130% ^{*1}			
	Modèle	06 ~ 96			
	Quantité	2 ~ 50	2 ~ 50	2 ~ 50	2 ~ 50
Température de fonctionnement	Temp. eau à l'aspiration: 10°C ~ 45°C [50°F ~ 113°F]				

*1 : La capacité totale d'unités d'intérieur fonctionnant simultanément est au plus de 130%.

PQRY-P-YHMU-A

Modèle	PQRY-P72YHMU-A	PQRY-P96YHMU-A	PQRY-P120YHMU-A	PQRY-P144YSHMU-A	PQRY-P168YSHMU-A	PQRY-P192YSHMU-A	PQRY-P216YSHMU-A	PQRY-P240YSHMU-A
Niveau de pression sonore	47dB<A>	49dB<A>	51dB<A>	50dB<A>	51dB<A>	52dB<A>	53,0dB<A>	54dB<A>
Poids net	194kg [428LBS]			194kg + 194kg [428LBS + 428LBS]				
Pression hydraulique max.	2,0MPa [290psi]							
Réfrigérant	R410A: 5,0kg			R410A: 5,0kg + 5,0kg [(11LBS + 1 oz) + (11LBS + 1 oz)]				
Unités d'intérieur	Capacité totale	50 ~ 150% ^{*1}						
	Modèle	06 ~ 96						
	Quantité	1 ~ 18	1 ~ 24	1 ~ 30	1 ~ 36	1 ~ 42	1 ~ 48	2 ~ 50 ^{*2}
Température de fonctionnement	Temp. eau à l'aspiration: 10°C ~ 45°C [50°F ~ 113°F]							

*1 : Capacité intérieure totale max. de 150%.

*2 : Le nombre max. de tubes de branchement est de 48.

F

5. Liste des pièces

- Vérifiez que toutes les pièces suivantes sont fournies avec l'unité.
- Reportez-vous à la section 10.2 pour plus d'informations sur les consignes de sécurité.

PQHY-P-THMU-A/YHMU-A

	① Tube de raccord Dia. int. ø19,05, Dia. ext. ø19,05 (Dia. int. ø3/4", Dia. ext. ø3/4") <côté gaz>	② Tube de raccord Dia. int. ø25,4, Dia. ext. ø25,4 (Dia. int. ø1", Dia. ext. ø1") <côté gaz>	③ Tube de raccord Dia. ext. ø19,05, Dia. int. ø25,4 (Dia. ext. ø3/4", Dia. int. ø1") <côté gaz>	④ Tube de raccord Dia. ext. ø22,2, Dia. int. ø25,4 (Dia. ext. ø7/8", Dia. int. ø1") <côté gaz>	⑤ Tube de raccord Dia. int. ø9,52, Dia. ext. ø9,52 (Dia. ext. ø3/8", Dia. int. ø3/8") <côté fluide>	⑥ Tube de raccord Dia. int. ø9,52, Dia. int. ø12,7 (Dia. ext. ø3/8", Dia. int. ø1/2") <côté fluide>	⑦ Emballage (intérieur ø49, extérieur ø89)
Modèle	PQHY-P72THMU-A/YHMU-A	1 pc.	–	1 pc.	–	1 pc.	–
	PQHY-P96THMU-A/YHMU-A	–	1 pc.	–	1 pc.	1 pc.	–
	PQHY-P120THMU-A/YHMU-A	–	1 pc.	–	1 pc.	1 pc.	–
	Pression d'eau élevée	–	–	–	–	–	1 pc.

PQRY-P-THMU-A/YHMU-A

	① Tube de raccord Dia. int. ø15,88, Dia. int. ø19,05 (Dia. int. ø5/8", Dia. int. ø3/4") <Côté haute pression>	② Tube de raccord Dia. int. ø19,05, Dia. int. ø25,4 (Dia. int. ø3/4", Dia. ext. ø1") <Côté haute pression> <Côté basse pression>	③ Tube de raccord Dia. int. ø22,2, Dia. int. ø25,4 (Dia. int. ø7/8", Dia. int. ø1") <Côté basse pression>	④ Tube de raccord Dia. int. ø19,05, Dia. ext. ø19,05 (Dia. int. ø3/4", Dia. ext. ø3/4") <Côté haute pression>
Modèle	PQRY-P72THMU-A/YHMU-A	1 pc.	–	–
	PQRY-P96THMU-A/YHMU-A	–	1 pc.	1 pc.
	PQRY-P120THMU-A/YHMU-A	–	1 pc.	1 pc.
	Pression d'eau élevée	–	–	1 pc.

6. Transport de l'unité

[Fig. 6.0.1] (P.2)

- Utilisez des cordes de transport qui résistent au poids de l'unité.
- Pour déplacer l'unité, utilisez une **suspension à 4 points**, et évitez les chocs (n'utilisez pas de **suspension à 2 points**).
- Placez des garnitures protectrices sur l'unité aux points de contact avec les cordes pour éviter de la rayer.
- Ajustez l'angle des câbles à pas plus de 40°.
- Utilisez 2 cordes qui sont chacune de longueur supérieure à 8 m [26 ft].
- Placez des protections aux coins du produit pour le protéger contre les rayures ou les bosselures qui pourraient être provoquées par la corde.

⚠ Attention :

Faites très attention en portant/déménageant le produit.

- Pour installer l'unité extérieure, suspendez-la aux points spécifiés sur la base. Stabilisez son assise aux 4 points, si nécessaire. Si l'unité suspendue ne repose que sur 3 points, elle risque de tomber.

7. Installation

7.1. Installation

[Fig. 7.1.1] (P.2)

- Ⓐ Boulon d'ancrage M10. (fourni sur site)
- Ⓑ Vérifier que les coins d'installation des pieds sont correctement supportés pour éviter qu'ils ne se tordent.
- Ⓒ Vérifier que les coins d'installation des pieds sont correctement supportés.

- Fixez l'unité avec des boulons de sorte qu'elle ne tombe pas en raison de tremblements de terre ou de vents forts.
- Utilisez du béton ou une cornière d'assemblage pour les fondations.
- Des vibrations peuvent être transmises à la section d'installation et bruit et vibration peuvent être produits par le plancher et les murs, selon les conditions d'installation. Fournissez une protection suffisante contre les vibrations (coussinets, cadre de coussin, etc.).
- Assurez que les coins sont fermement fixés. Si les coins ne sont pas fermement fixés, les pieds de l'unité peuvent être courbés.
- Lorsque vous utilisez des coussinets, veillez à ce que toute la largeur de l'unité soit recouverte.
- La longueur de projection du boulon d'ancrage doit être inférieure à 25 mm [1 in.].
- Le PQHY/PQRY-P-THMU-A/YHMU-A ne doit pas être installé en extérieur.
- Le PQHY/PQRY-P-THMU-A-BS/YHMU-A-BS peut être installé en extérieur.

8. Installation du tuyau d'eau

Observer les précautions suivantes pendant l'installation.

8.1. Précautions à prendre pendant l'installation

- La résistance à la pression de l'eau des conduites d'eau de la source de chaleur est de 2,0MPa [290psi].
- Utiliser la méthode de retour inverse pour assurer une résistance adéquate des tuyaux de chaque appareil.
- Installez des raccords et des valves autour de chaque entrée/sortie de chaque unité pour faciliter la maintenance, les contrôles et tout remplacement.
- Pour protéger la source de chaleur, installer un filtre à tamis sur la conduite d'entrée de circulation de l'eau à moins de 1,5 m [4-7/8 in] de la source de chaleur.
- Installer une ventilation adéquate sur le tuyau d'eau. Après l'écoulement d'eau dans le tuyau, évacuer l'excédent d'air.
- De l'eau peut stagner dans les sections à basse température de la source de chaleur. Ajouter un tuyau d'écoulement à la soupape de drainage du bas de l'appareil pour évacuer l'eau.
- Installer une soupape anti-reflux sur la pompe ainsi qu'un joint souple pour éviter des vibrations excessives.
- Utiliser un manchon pour protéger les tuyaux à leur endroit de pénétration dans les murs.
- Fixer les tuyaux à l'aide de fixations métalliques positionnées de sorte à protéger les tuyaux contre la casse et la torsion.
- Ne pas confondre les soupapes d'arrivée d'eau et d'évacuation.
- Cet appareil ne comprend pas d'élément de chauffage empêchant l'eau de geler. Si l'eau ne s'écoule lorsque la température ambiante est trop basse, purgez l'eau.
- Les orifices à dégager non utilisés doivent être tenus fermés. Les trous d'accès des tuyaux de réfrigérant, des tuyaux d'eau et des câbles de la source d'alimentation et de transmission doivent être remplis de mastic.
- Le bouchon de vidange est monté à l'arrière de l'unité en usine pour raccorder sur site aux conduites d'évacuation à l'avant de l'unité. Déplacez le bouchon à l'avant pour raccorder les conduites d'évacuation à l'arrière de l'unité. Contrôlez l'absence de fuites au niveau des raccords entre les conduites.
- En cas d'installation de 2 unités, montez les conduites d'eau en parallèle de manière à obtenir un flux d'écoulement d'eau identique au niveau des deux unités.
- Enrouler le ruban d'étanchéité comme suit.
 - ① Entourer le joint de ruban d'étanchéité dans le sens des filets (dans le sens des aiguilles d'une montre) et ne pas laisser le ruban déborder.

⚠ Avertissement :

- **Installez l'unité dans un endroit assez résistant pour soutenir son poids. Toute faiblesse de résistance peut faire tomber l'unité et causer des blessures.**
- **Effectuez l'installation afin de la protéger contre les vents forts et les tremblements de terre. Toute installation incorrecte peut faire tomber l'unité et causer des blessures.**

Lors de la construction de la fondation, faites attention à la résistance du plancher, à la disposition de l'eau de drainage <en cours de fonctionnement, de l'eau de drainage s'écoule de l'unité>, et au routage des tubes et des câbles.

Précautions en cas de routage des tubes et des câbles sous de l'unité

Lorsque les tubes et les câbles passent en dessous de l'unité, vérifiez que la base et la fondation ne bloquent pas les trous d'accès. Assurez-vous également que la hauteur de la fondation est au moins de 100 mm de sorte que la tuyauterie puisse passer en dessous de l'unité.

7.2. Espace de service

- Prévoir un dégagement.
- Dans le cadre de l'installation d'une seule unité, conserver un espace de 600 mm minimum à l'arrière pour faciliter l'entretien de l'appareil.

[Fig. 7.2.1] (P.2)

- Ⓐ Espace permettant le retrait du boîtier de commande
- Ⓑ Unité extérieure
- Ⓒ Espace de service (avant)

- ② Recouvrir le ruban d'étanchéité entre les 2/3 et les 3/4 de sa largeur à chaque tour. Appuyer sur le ruban avec les doigts afin de bien le serrer sur chaque filet.

- ③ Ne pas enrouler de ruban sur les derniers 1,5 à 2 filets.

- Maintenir le tuyau en place sur le côté de l'appareil avec une clé lors de l'installation des tuyaux ou du filtre à tamis. Serrer les vis à un couple de 150 N·m.
- Lors de la connexion de la tuyauterie d'eau des unités extérieures et de la tuyauterie sur site, appliquez un matériau d'étanchéité liquide pour tuyauterie d'eau sur le ruban d'étanchéité avant la connexion.

Exemple d'installation de la source de chaleur (lors de la mise en place des tuyaux par la gauche)

[Fig. 8.1.1] (P.3)

- Ⓐ Conduite de circulation d'eau principale
- Ⓑ Vanne d'arrêt
- Ⓒ Vanne d'arrêt
- Ⓓ Sortie d'eau (inférieure)
- Ⓔ Tuyaux de réfrigérant
- Ⓕ Vanne de type en Y
- Ⓖ Entrée d'eau (supérieure)
- Ⓖ Tuyau de drainage

8.2. Mise en place de l'isolation

Tant que la plage de température de l'eau en circulation est maintenue à une température moyenne annuelle (30°C [86°F] en été, 20°C [68°F] en hiver), il n'est pas nécessaire d'isoler les tuyaux intérieurs. Vous devez seulement les isoler dans les cas suivants:

- Tuyauterie de la source de chaleur.
- Tuyauteries intérieures dans des régions froides où les tuyaux gelés constituent un problème.
- Lorsque l'air venant de l'extérieur provoque la formation de condensation sur la tuyauterie.
- Tuyauterie de vidange.

8.3. Traitement de l'eau et contrôle de la qualité de l'eau

Pour préserver la qualité de l'eau, utiliser une tour de refroidissement de type fermée. Lorsque la qualité de l'eau du circuit est mauvaise, l'échangeur de chaleur à eau peut s'entartrer, ce qui diminue sa puissance et peut conduire à sa corrosion. Toujours prendre le plus grand soin au traitement de l'eau et au contrôle de la qualité de celle-ci lors de l'installation du système avec circulation d'eau.

- Retirer tous les corps étrangers et les impuretés de la tuyauterie. Pendant l'installation, veiller à éviter la pénétration de corps étrangers, comme des débris de soudure, des particules de joints ou de rouille dans les tuyaux.

• Traitement de la qualité de l'eau

- ① En fonction de la qualité de l'eau froide utilisée dans le climatiseur, les tuyauteries en cuivre de l'échangeur de chaleur peuvent se corroder. Nous conseillons d'effectuer régulièrement un contrôle de la qualité de l'eau. Les systèmes à circulation d'eau froide utilisant des réservoirs de stockage de chaleur sont particulièrement sujets à la corrosion.

Si vous utilisez un réservoir de stockage de chaleur, installez un échangeur de chaleur à eau et utilisez un circuit à boucle fermée sur le côté du climatiseur. Si un réservoir d'alimentation en eau est installé, limitez au maximum les contacts avec l'air et vérifiez que le niveau d'oxygène dissous de l'eau ne dépasse pas 1 mg/l.

② Norme de qualité de l'eau

Eléments		Circuit d'eau à température faible à moyenne Temp. de l'eau ≤ 60 °C		Circuit d'eau à température élevée à moyenne Temp. de l'eau > 60 °C		Tendance	
		Eau de recirculation	Eau d'appoint	Eau de recirculation	Eau d'appoint	Corrosive	Incrustante
Eléments standard	pH (25°C) [77°F]	7,0 ~ 8,0	7,0 ~ 8,0	7,0 ~ 8,0	7,0 ~ 8,0	○	○
	Conductivité électrique (mS/m) (25°C) [77°F] (μ s/cm) (25°C) [77°F]	30 ou moins [300 ou moins]	30 ou moins [300 ou moins]	30 ou moins [300 ou moins]	30 ou moins [300 ou moins]	○	○
	Ions de chlore (mg Cl/l)	50 ou moins	50 ou moins	30 ou moins	30 ou moins	○	
	Ions de sulfate (mg SO ₄ ²⁻ /l)	50 ou moins	50 ou moins	30 ou moins	30 ou moins	○	
	Consommation acide (pH4.8) (mg CaCO ₃ /l)	50 ou moins	50 ou moins	50 ou moins	50 ou moins		○
	Dureté totale (mg CaCO ₃ /l)	70 ou moins	70 ou moins	70 ou moins	70 ou moins		○
	Dureté calcique (mg CaCO ₃ /l)	50 ou moins	50 ou moins	50 ou moins	50 ou moins		○
Eléments de référence	Silice ionique (mg SiO ₂ /l)	30 ou moins	30 ou moins	30 ou moins	30 ou moins		○
	Fer (mg Fe/l)	1,0 ou moins	0,3 ou moins	1,0 ou moins	0,3 ou moins	○	○
	Cuivre (mg Cu/l)	1,0 ou moins	1,0 ou moins	1,0 ou moins	1,0 ou moins	○	
	Ions de soufre (mg S ²⁻ /l)	doivent être indétectables	doivent être indétectables	doivent être indétectables	doivent être indétectables	○	
	Ions d'ammonium (mg NH ₄ ⁺ /l)	0,3 ou moins	0,1 ou moins	0,1 ou moins	0,1 ou moins	○	
	Chlore résiduel (mg Cl/l)	0,25 ou moins	0,3 ou moins	0,1 ou moins	0,3 ou moins	○	
	Gaz carbonique à l'état libre (mg CO ₂ /l)	0,4 ou moins	4,0 ou moins	0,4 ou moins	4,0 ou moins	○	
Indice de stabilité Ryzner	-	-	-	-	○	○	

Référence : Directive relative à la qualité de l'eau pour le matériel de réfrigération et de climatisation. (JRA GL02E-1994)

- ③ Contacter un spécialiste du contrôle de la qualité des eaux pour en savoir plus sur les méthodes de contrôle et les calculs de dureté avant d'utiliser des solutions anti-corrosives.
- ④ Lors du remplacement d'un climatiseur installé auparavant (même lorsque seul l'échangeur de chaleur est remplacé), effectuer une analyse de la qualité de l'eau et vérifier s'il n'y a pas de corrosion. La corrosion peut se produire dans des systèmes à eau froide sans qu'il y ait eu de signes précurseurs. Si le niveau de la qualité de l'eau chute, ajuster correctement la qualité de l'eau avant de remplacer l'appareil.

Les cordons d'engrenage des pompes des éléments des appareils de la source de chaleur utilisés ne pourront pas répondre à des spécifications inférieures à celles du cordon souple gainé en polychloroprène (norme 245 IEC 57).

[Fig. 8.4.1] (P.3)

- Ⓐ Fil en court-circuit (Raccordé par le fabricant avant la livraison)
- Ⓑ Connexion du circuit d'enclenchement de la pompe

[Fig. 8.4.2] (P.3)

Ce circuit est destiné aux engrenages utilisés pour le fonctionnement de la source de chaleur et de la pompe du circuit d'eau.

- Ⓐ Unité extérieure
- Ⓑ Panneau de commande (fourni sur site)
- Ⓒ Vers l'unité de chaleur suivante

TM1, 2 : relais de temporisation (se ferme une fois le temps défini écoulé lorsque l'appareil est sous tension ou s'ouvre immédiatement lorsque l'appareil est hors tension)

52P : contacteur magnétique pour la pompe du circuit d'eau

MP : pompe du circuit d'eau

MCB : disjoncteur

* Retirer le câble de court-circuit entre 3 et 4 lors du câblage sur TB8.

8.4. Engrenage des pompes

L'appareil risque d'être endommagé s'il est mis en service sans circulation d'eau dans les tuyaux.

Veillez à toujours enclencher simultanément le fonctionnement de l'appareil et celui de la pompe du circuit d'eau. Utiliser les blocs terminaux pour l'enclenchement (TB8-1, 2, 3, 4) que vous trouverez sur l'appareil.

Pour la connexion d'un signal de circuit d'enclenchement de pompe au TB8-3, 4, retirer le fil en court-circuit. Aussi, pour éviter toute fausse détection d'erreur due à une connexion défectueuse, au niveau de la soupape de pression 63PW, utiliser un faible courant maintenu à 5mA ou inférieur.

9. Installation de la tuyauterie du frigorigène

Le tube est connecté par l'intermédiaire d'une connexion de type branche terminale dans laquelle la tuyauterie du frigorigène provenant de l'unité extérieure est branchée au terminal et est connectée à chacune des unités d'intérieur.

La méthode de connexion du tube est la suivante : connexion évasée pour les unités d'intérieur, tuyaux basse pression (PQRY-P-T(S)HMU-A/Y(S)HMU-A) et haute pression (PQRY-P-T(S)HMU-A/Y(S)HMU-A) pour les unités extérieures, connexion brasée. Notez que les sections branchées sont brasées.

⚠ Avertissement :

Toujours faire très attention à empêcher le gaz frigorigène de fuir quand vous utilisez du feu ou une flamme. Si le gaz frigorigène entre en contact avec une flamme de n'importe quelle source, telle qu'un fourneau à gaz, il se décompose et produit un gaz toxique qui peut provoquer une intoxication au gaz. Ne soudez jamais dans une salle non aérée. Effectuez toujours une inspection de fuite de gaz après que l'installation de la tuyauterie du frigorigène ait été complétée.

9.1. Mises en garde

Cette unité utilise le frigorigène de type R410A. Observez les règlements locaux lors de la sélection des matériaux et de l'épaisseur des tubes. (Reportez-vous au tableau ci-dessous.)

- Utilisez les matériaux suivants pour la tuyauterie frigorifique.
 - Matériaux : Utilisez des tubes en alliage de cuivre sans soudure faits en cuivre désoxydé par phosphore. Assurez-vous que les surfaces internes et externes des tubes sont propres et dépourvues de soufre, d'oxydes, de poussières, de particules de rasage, d'huile et d'humidité (contamination).
 - Dimension : Reportez-vous à 9.2. pour les informations détaillées sur le système de tuyauterie du frigorigène.
- La tuyauterie fournie sur site contient souvent de la poussière et d'autres matériaux. Toujours la nettoyer à l'aide d'un jet de gaz inerte sec.
- Prenez soin d'empêcher la poussière, l'eau ou autres contaminants de pénétrer dans la tuyauterie pendant l'installation.
- Réduire autant que possible le nombre de sections courbées, et utilisez des rayons de cintrage aussi grands que possible.
- Pour les branchements et la connexion des unités intérieures et extérieures, utiliser les jeux suivants de tubes de jumelage et de tubes convergents (vendus séparément).

Kit de tubes de jumelage intérieur PQRY-P-T(S)HMU-A/ Y(S)HMU-A	Kit de tubes de raccordement intérieur PQRY-P-T(S)HMU-A/ Y(S)HMU-A	Kit de jumelage extérieur PQRY-P-T(S)HMU-A/ Y(S)HMU-A
Branchement de ligne	Modèle d'intérieur (total)	Modèle extérieur (total)
Unité en aval	P72, P96	P144 ~ P240
Moins de 30 au total		
CMY-Y102S-G2	CMY-R160-J	CMY-Q100VBK

Dimension du tube en cuivre et épaisseur radiale pour le R410A CITY MULTI.

Dimension (mm)	Dimension (in)	Épaisseur radiale (mm)	Épaisseur radiale (mil)	Type de tube
ø6,35	ø1/4"	0,8	32	Type-O
ø9,52	ø3/8"	0,8	32	Type-O
ø12,7	ø1/2"	0,8	32	Type-O
ø15,88	ø5/8"	1,0	40	Type-O
*ø19,05	ø3/4"	1,2	48	Type-O
*ø19,05	ø3/4"	1,0	40	Type-1/2H ou H
ø22,2	ø7/8"	1,0	40	Type-1/2H ou H
ø25,4	ø1"	1,0	40	Type-1/2H ou H
ø28,58	ø1-1/8"	1,0	40	Type-1/2H ou H
ø31,75	ø1-1/4"	1,1	44	Type-1/2H ou H
ø34,93	ø1-3/8"	1,2	48	Type-1/2H ou H
ø41,28	ø1-5/8"	1,4	56	Type-1/2H ou H

* Les deux types de tube peuvent être utilisés pour une taille de tube de ø19,05 (3/4 in) pour le climatiseur R410A.

- Utilisez un raccord si un tube de frigorigène spécifié a un diamètre différent de celui du tube de branchement.

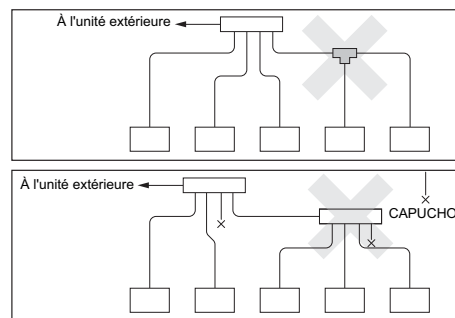
- Observez les restrictions sur la tuyauterie de frigorigène (telles que la longueur nominale, la différence de hauteur et le diamètre du tube) pour empêcher la défaillance de l'équipement ou une diminution de la performance de chauffage/refroidissement.

Jeu de tubes de jumelage intérieur PQHY-P-T(S)HMU-A/Y(S)HMU-A			
Branchement de ligne			
Unité en aval Moins de 72 au total	Unité en aval Plus de 73 et moins de 144 au total	Unité en aval Plus de 145 et moins de 240 au total	Unité en aval Plus de 241 au total
CMY-Y102S-G2	CMY-Y102L-G2	CMY-Y202-G2	CMY-Y302-G2

Jeu de tubes de jumelage intérieur PQHY-P-T(S)HMU-A/Y(S)HMU-A		
Branchement de collecteur		
4 branches	8 branches	10 branches
CMY-Y104-G	CMY-Y108-G	CMY-Y1010-G

Kit de jumelage extérieur PQHY-P-T(S)HMU-A/Y(S)HMU-A	
Total pour modèle extérieur P144 ~ P240	Total pour modèle extérieur P264 ~ P360
CMY-Y100VBK2	CMY-Y300VBK2

- Les unités intérieures ne peuvent pas être branchées en aval du collecteur. (voir diagramme ci-dessous.)
*PQHY-P-T(S)HMU-A/Y(S)HMU-A uniquement.



- Un manque ou un excès de frigorigène peut arrêter l'unité. Chargez le système d'une quantité appropriée de frigorigène. Au cours d'un entretien, vérifiez toujours les informations concernant la longueur du tube et la quantité de frigorigène supplémentaire aux deux emplacements, le tableau de calcul du volume de frigorigène au dos du panneau de service et la section de frigorigène supplémentaire sur les étiquettes pour le nombre combiné d'unités d'intérieur (reportez-vous à 9.2. pour les informations détaillées sur le système de tubes de frigorigène).
- Chargez le système avec un frigorigène liquide.**
- N'utilisez jamais de frigorigène pour purger l'air.** Servez-vous toujours d'une pompe à vide pour évacuer.
- Isolez toujours correctement la tuyauterie. Une isolation insuffisante aura comme conséquence une diminution de la performance de chauffage/refroidissement, de la condensation et d'autres problèmes de ce type (reportez-vous à 10.4 pour l'isolation de la tuyauterie du frigorigène).
- Lors du branchement de la tuyauterie du frigorigène, assurez-vous que la valve de l'unité extérieure est complètement fermée (réglage usine) et ne l'actionnez pas jusqu'à ce que la tuyauterie du frigorigène de l'unité extérieure et le contrôleur BC ait été connectés, qu'un essai d'étanchéité du frigorigène ait été exécuté et que le processus d'évacuation ait été complété.
- Brasez seulement avec un matériau de brasage non oxydé. Le non-respect de cette instruction peut endommager le compresseur. Brasez avec une purge d'azote. N'utilisez aucun agent antioxydant disponible dans le commerce car il peut causer la corrosion des tubes et dégrader l'huile du frigorigène. Contactez Mitsubishi Electric pour plus de détails.**
(Reportez-vous à 10.2. pour des détails sur la connexion de la tuyauterie et du fonctionnement de la valve)
- Ne connectez jamais de tuyauterie quand il pleut.**

⚠ Avertissement :

En installant et en déplaçant l'unité, ne chargez pas le système avec un frigorigène autre que celui qui est spécifié.

- Le mélange d'un réfrigérant différent, d'air, etc. peut faire mal fonctionner le cycle frigorifique et peut occasionner des dommages sévères.

⚠ Attention :

- **Utilisez une pompe à vide avec clapet anti-retour de flux inverse.**
 - Si la pompe à vide n'a pas de clapet anti-retour de flux inverse, l'huile de la pompe à vide peut refluer dans le cycle frigorifique et détériorer l'huile frigorifique.
- **N'utilisez pas les outils indiqués ci-dessous qui sont utilisés avec les frigorigènes conventionnels.**
(Manomètre de pression, tuyau flexible de charge, détecteur de fuite de gaz, clapet anti-retour de flux inverse, base de charge du frigorigène, manomètre à vide, équipement de récupération du frigorigène)
 - Le mélange de frigorigène conventionnel et d'huile frigorifique peut détériorer l'huile frigorifique.
 - Le mélange d'eau détériore l'huile frigorifique.
 - Le frigorigène R410A ne contient aucun chlore. Par conséquent, les détecteurs de fuite de gaz pour les frigorigènes conventionnels ne réagissent pas.
- **Gérez soigneusement les outils utilisés pour le R410A.**
 - Si de la poussière, des saletés ou de l'eau pénètre dans le cycle frigorifique, l'huile frigorifique se détériore.
- **N'utilisez jamais la tuyauterie du frigorigène existante.**
 - La grande quantité de chlore dans un frigorigène conventionnel et l'huile frigorifique dans la tuyauterie existante détérioreront le nouveau frigorigène.
- **Entrez à l'intérieur la tuyauterie à utiliser pour l'installation et gardez scellées les deux extrémités de la tuyauterie jusqu'au moment du brasage.**
 - Si de la poussière, des saletés ou de l'eau pénètre dans le cycle frigorifique, l'huile se détériore et le compresseur peut défaillir.
- **N'utilisez pas de cylindre de chargement.**
 - Utiliser un cylindre de chargement peut détériorer le frigorigène.
- **N'utilisez pas de détergents spéciaux pour laver la tuyauterie.**

9.2. Système de tuyauterie du frigorigène

Exemple de système de tuyauterie du frigorigène

[Fig. 9.2.1] (P.4)

- | | |
|---|---|
| A Modèle de la source de chaleur | B Côté fluide |
| C Côté gaz | F Capacité totale d'unités d'intérieur |
| G Tube de fluide | H Tube de gaz |
| I Numéro de modèle | J Total de modèle d'unité en aval |
| K La 1ère branche de P144 ~ P240 | L La 1ère branche de P264 ~ 360 |
| M Joint | |
| N Collecteur 4 branches (total de modèle d'unité intérieure en aval <= 72) | |
| O Collecteur 8 branches (total de modèle d'unité intérieure en aval <= 144) | |
| P Collecteur 10 branches (total de modèle d'unité intérieure en aval <= 234) | |
| Q Kit de jumelage de la source de chaleur | |
| A Unité extérieure | B Première branche |
| C Unité d'intérieur | D Capuchon |
| E Kit de jumelage de la source de chaleur | F Collecteur |
- *1 ø12,7 pour plus de 90 m [295-1/4 in]
*2 ø12,7 pour plus de 40 m [131-3/16 in]
*3 Les tailles de tube listées dans les colonnes A1 à A3 de ce tableau correspondent aux tailles des modèles listés dans les colonnes 1, 2 et 3 de l'unité. Quand l'ordre des modèles pour l'unité 1, 2 et 3 change, veillez à utiliser la taille de tube appropriée.

[Fig. 9.2.2] (P.5)

- | | |
|--|---|
| A Modèle de la source de chaleur | D Côté haute pression |
| E Côté basse pression | F Capacité totale d'unités d'intérieur |
| G Tube de fluide | H Tube de gaz |
| I Numéro de modèle | J Total de modèle d'unité en aval |
| Q Kit de jumelage de la source de chaleur | R Tube de gaz haute pression |
| S Tube de gaz basse pression | |
| A Unité extérieure | B Contrôleur BC (standard) |
| C Contrôleur BC (principal) | D Contrôleur BC (secondaire) |
| E Appareil intérieur (06 ~ 54) | F Appareil intérieur (72 ~ 96) |
| G Kit de jumelage de la source de chaleur | |
- *1 Les tailles de tube listées dans les colonnes A1 à A2 de ce tableau correspondent aux tailles des modèles listés dans les colonnes de l'unité 1 et 2. Quand l'ordre des modèles pour l'unité 1 et 2 change, veillez à utiliser la taille de tube appropriée.

Précautions pour les combinaisons d'unités extérieures

Reportez-vous à [Fig. 9.2.3] pour le positionnement des tubes de jumelage.

[Fig. 9.2.3] (P.7)

- <A> Quand la tuyauterie (du tube de jumelage) dépasse 2 m [6 ft], ajoutez un siphon (tube de gaz seulement) à moins de 2 m [6 ft]. Veillez à ce que la hauteur du siphon soit de 200 mm [7-7/8 in] ou plus.
S'il n'y a aucun siphon, l'huile peut s'accumuler à l'intérieur du tube, entraînant un manque d'huile qui peut endommager le compresseur. (pour PQHY-P-TSHMU-AYSHMU-A)
- Exemple de connexion de tuyauterie (pour PQHY-P-TSHMU-AYSHMU-A)
- | | |
|---|---|
| A Unité intérieure | B Siphon (tube de gaz seulement) |
| C À moins de 2 m [6 ft] | D Tube de jumelage |
| E Tubes sur le site | F Kit de jumelage |
| G Longueur de tube droit d'au moins 500 mm [19-11/16 in] | |

Précautions pour les combinaisons d'unités extérieures

Reportez-vous à [Fig. 9.2.4] pour le positionnement des tubes de jumelage.

[Fig. 9.2.4] (P.7)

- <A> La tuyauterie reliant les unités extérieures au tube de jumelage doit être inclinée vers le bas vers le tube de jumelage (côté liquide et gaz pour le PQHY-P-TSHMU-AYSHMU-A, côté haute pression uniquement pour le PQRY-P-TSHMU-AYSHMU-A)
- Pente des tubes de jumelage (pour PQHY-P-TSHMU-AYSHMU-A)
Assurez-vous que la pente des tubes de jumelage est sous un angle dans la plage $\pm 15^\circ$ par rapport au sol.
Si la pente excède l'angle indiqué, l'unité peut être endommagée.
- <C> Exemple de connexion de tuyauterie (pour PQRY-P-TSHMU-AYSHMU-A)
- | | |
|--|---|
| A Pente descendante | B Pente ascendante |
| C Contrôleur BC | D Tube de jumelage (standard ou principal) |
| E La pente du tube de jumelage est sous un angle compris dans la plage de $\pm 15^\circ$ par rapport au sol | |
| F Tube de jumelage (côté basse pression) | |
| G Tube de jumelage (côté haute pression) | |
| H Tuyauterie fournie sur site (tube de connexion basse pression : entre les unités extérieures) | |
| I Tuyauterie fournie sur site (tube principal basse pression : pour contrôleur BC) | |
| J Tuyauterie fournie sur site (tube principal haute pression : pour contrôleur BC) | |

10. Charge supplémentaire de frigorigène

Au moment de l'expédition, l'unité extérieure est chargée de frigorigène. Cette charge n'inclut pas la quantité totale requise pour l'extension de tuyauterie, de sorte qu'une charge supplémentaire de chaque ligne de frigorigène est requise sur le site. Gardez toujours une note de la taille et de la longueur de chaque ligne de frigorigène et de la quantité de charge supplémentaire en l'inscrivant dans l'espace fourni sur l'unité extérieure, pour référence.

Pour PQHY-P-T(S)HMU-A/Y(S)HMU-A

<Charge supplémentaire>

Charge supplémentaire de frigorigène	=	Taille de tube de fluide Longueur totale de ø19,05 × 0,29	+	Taille de tube de fluide Longueur totale de ø15,88 × 0,2	+	Taille de tube de fluide Longueur totale de ø12,7 × 0,12
(kg)		(m) × 0,29 (kg/m)		(m) × 0,2 (kg/m)		(m) × 0,12 (kg/m)
(oz)		(ft) × 3,1 (oz/ft)		(ft) × 2,15 (oz/ft)		(ft) × 1,29 (oz/ft)
	+	Taille de tube de fluide Longueur totale de ø9,52 × 0,06	+	Taille de tube de fluide Longueur totale de ø6,35 × 0,024	+	α
		(m) × 0,06 (kg/m)		(m) × 0,024 (kg/m)		
		(ft) × 0,65 (oz/ft)		(ft) × 0,26 (oz/ft)		

<Exemple>

Intérieur 1: 36	A: ø12,7 [1/2]	40 m [131ft]	a: ø9,52 [3/8]	10 m [32ft]	} Aux conditions ci-dessous :
2: 30	B: ø9,52 [3/8]	10 m [32ft]	b: ø9,52 [3/8]	5 m [16ft]	
3: 15	C: ø9,52 [3/8]	15 m [49ft]	c: ø6,35 [1/4]	10 m [32ft]	
4: 12	D: ø9,52 [3/8]	10 m [32ft]	d: ø6,35 [1/4]	10 m [32ft]	
5: 24			e: ø9,52 [3/8]	10 m [32ft]	

La longueur totale de chaque ligne de fluide est la suivante :

ø12,7: A = 40 = 40 m [131ft]
 ø9,52: B + C + D + a + b + e = 10 [32] + 15 [49] + 10 [32] + 10 [32] + 5 [16] + 10 [32] = 60m [196ft]
 ø6,35: c + d = 10 [32] + 10 [32] = 20 m [64ft]

Par conséquent, charge supplémentaire de frigorigène

= 40m [131ft] × 0,12 kg/m [1,29 oz/ft] + 60 [196ft] × 0,06 kg/m [0,65 oz/ft] + 20 [64 ft] × 0,024 kg/m [0,26 oz/ft] + 2,5 kg [88 oz] = 11,4 kg [402 oz]

Valeur de α

Capacité totale des unités intérieures connectées	α
Modèles ~ 27	2,0 kg [71 oz]
Modèles 28 ~ 54	2,5 kg [89 oz]
Modèles 55 ~ 126	3,0 kg [106 oz]
Modèles 127 ~ 144	3,5 kg [124 oz]
Modèles 145 ~ 180	4,5 kg [159 oz]
Modèles 181 ~ 234	5,0 kg [177 oz]
Modèles 235 ~ 273	6,0 kg [212 oz]
Modèles 274 ~ 307	8,0 kg [283 oz]
Modèles 308 ~ 342	9,0 kg [318 oz]
Modèles 343 ~ 411	10,0 kg [353 oz]
Modèles 412 ~ 480	12,0 kg [424 oz]
Modèles 481 ~	14,0 kg [494 oz]

10.1. Calcul de la charge supplémentaire de frigorigène

- Calculez la quantité de charge supplémentaire basée sur la longueur de l'extension de tuyauterie et la taille de la ligne de frigorigène.
- Utilisez le tableau ci-dessous comme guide pour calculer la quantité de charge supplémentaire, puis chargez le système en conséquence.
- Si le calcul a pour résultat une fraction de moins de 0,1 kg [4 oz], arrondissez jusqu'à 0,1 kg [4 oz] suivant. Par exemple, si le résultat du calcul est de 27,73 kg [978 oz], arrondissez le résultat à 27,8 kg [984 oz].

Pour PQRV-P-T(S)HMU-A/Y(S)HMU-A

<Charge supplémentaire>

Charge supplémentaire de frigorigène	=	Taille de tube haute pression Longueur totale de ø28,58 × 0,36	+	Taille de tube haute pression Longueur totale de ø22,2 × 0,23	+	Taille de tube haute pression Longueur totale de ø19,05 × 0,16
(kg)		(m) × 0,36 (kg/m)		(m) × 0,23 (kg/m)		(m) × 0,16 (kg/m)
(oz)		(ft) × 3,88 (oz/ft)		(ft) × 2,48 (oz/ft)		(ft) × 1,73 (oz/ft)
	+	Taille de tube haute pression Longueur totale de ø15,88 × 0,11	+	Taille de tube de fluide Longueur totale de ø15,88 × 0,2	+	Taille de tube de fluide Longueur totale de ø12,7 × 0,12
		(m) × 0,11 (kg/m)		(m) × 0,2 (kg/m)		(m) × 0,12 (kg/m)
		(ft) × 1,19 (oz/ft)		(ft) × 2,16 (oz/ft)		(ft) × 1,30 (oz/ft)

Taille de tube de fluide Longueur totale de ø9,52 × 0,06	+	Taille de tube de fluide Longueur totale de ø6,35 × 0,024
(m) × 0,06 (kg/m)		(m) × 0,024 (kg/m)
(ft) × 0,65 (oz/ft)		(ft) × 0,26 (oz/ft)

Contrôleur BC (standard/principal)	Unités totales de contrôleur BC (secondaire)	Contrôleur BC (secondaire) par unité
3,0kg [106oz]	1	1,0 kg [36oz]
	2	2,0 kg [71oz]

Capacité totale des unités intérieures connectées	Par appareil intérieur
Modèles ~ 27	2,0 kg [71 oz]
Modèles 28 ~ 54	2,5 kg [89 oz]
Modèles 55 ~ 126	3,0 kg [106 oz]
Modèles 127 ~ 144	3,5 kg [124 oz]
Modèles 145 ~ 180	4,5 kg [159 oz]
Modèles 181 ~ 234	5,0 kg [177 oz]
Modèles 235 ~ 273	6,0 kg [212 oz]
Modèles 274 ~ 307	8,0 kg [283 oz]
Modèles 308 ~ 342	9,0 kg [318 oz]
Modèles 343 ~ 411	10,0 kg [353 oz]
Modèles 412 ~	12,0 kg [424 oz]

<Exemple>

Intérieur 1: 80	A: ø28,58 [1-1/8]	40 m [131ft]	a: ø9,52 [3/8]	10 m [32ft]	} Aux conditions ci-dessous :
2: 250	B: ø9,52 [3/8]	10 m [32ft]	b: ø9,52 [3/8]	5 m [16ft]	
3: 32	C: ø9,52 [3/8]	20 m [64ft]	c: ø6,35 [1/4]	5 m [16ft]	
4: 40	D: ø9,52 [3/8]	5 m [16ft]	d: ø6,35 [1/4]	10 m [32ft]	
5: 32	E: ø9,52 [3/8]	5 m [16ft]	e: ø6,35 [1/4]	5 m [16ft]	
6: 63	F: ø22,2 [7/8]	3 m [9ft]	f: ø9,52 [3/8]	5 m [16ft]	
	G: ø19,05 [3/4]	1 m [3ft]			

La longueur totale de chaque ligne de fluide est la suivante :

ø28,58: A = 40 m [131ft]
 ø22,2: F = 3 m [9ft]
 ø19,05: G = 1 m [3ft]
 ø9,52: C + D + E + a + b + f = 50 m [164ft]
 ø6,35: c + d + e = 20 m [64ft]

Par conséquent, charge supplémentaire de frigorigène

= 40m [131ft] × 0,36 kg/m [3,88 oz/ft] + 3 m [9 ft] × 0,23 kg/m [2,48 oz/ft] + 1 [3ft] × 0,16 kg/m [1,73 oz/ft] + 50m [164ft] × 0,06 kg/m [0,65 oz/ft] + 20 m [64ft] × 0,024 kg/m [0,26 oz/ft] + 2,0 kg [71 ft] + 2,0 kg [71ft] + 5,0 kg [176 oz] = 27,8 kg [981 oz]

■ Restriction de la quantité de réfrigérant à charger (pour le PQRV-P-T(S)HMU-A/Y(S)HMU-A uniquement)

Le calcul ci-dessus résultant de la quantité de réfrigérant à charger doit être inférieur à la valeur figurant dans le tableau ci-après.

Modèle de la source de chaleur	P72	P96	P120	P144	P168	P192	P216	P240
Quantité maximale de réfrigérant*1 kg [LBS]	26,3 [58]	32,8 [72]	33,8 [74]	45,5 [100]	47,0 [104]	58,2 [128]	67,2 [148]	70,9 [156]

*1 : Quantité de réfrigérant supplémentaire à charger sur site

10.2. Précautions concernant les connexions de la tuyauterie et le fonctionnement de la valve

- Les connexions de la tuyauterie et le fonctionnement de la valve doivent être exécutés soigneusement et avec précision.

Retirer le tube de connexion rétréci

Une fois expédié, un tube de connexion rétréci est attaché sur site aux valves haute et basse pression pour empêcher la fuite de gaz. Prenez les mesures suivantes ① à ④ pour retirer le tube de connexion rétréci avant de connecter les tubes de frigorigène à l'unité extérieure.

- Vérifiez que la valve de frigorigène est complètement fermée (sens horaire).
- Branchez un tube de remplissage au port de service sur la valve basse pression/haute-pression, et extrayez le gaz dans la section de tuyauterie située entre la valve de frigorigène et le tube de connexion rétréci (couple de serrage de 12 N·m).
- Après avoir évacué le gaz du tube de connexion rétréci, coupez le tube de connexion rétréci à l'endroit indiqué sur la [Fig.10.2.1] et vidangez le frigorigène.
- Après avoir terminé les étapes ② et ③, chauffez la section brasée pour enlever le tube de connexion rétréci.

[Fig. 10.2.1] (P.8)

- <A> Vanne de frigorigène (côté liquide/brasée pour PQHY-P-T(S)HMU-A/Y(S)HMU-A) (côté haute pression/brasée pour PQRYP-T(S)HMU-A/Y(S)HMU-A)
- Vanne de frigorigène (côté gaz/brasée pour PQHY-P-T(S)HMU-A/Y(S)HMU-A) (côté basse pression/brasée pour PQRYP-T(S)HMU-A/Y(S)HMU-A)
- A Axe
- B Port de service
- C Capuchon
- D Partie de découpe du tube de connexion rétréci
- E Partie de brasage du tube de connexion rétréci

⚠ Avertissement :

- Les zones entre les valves de frigorigène et les tubes de connexion rétrécis sont remplies de gaz et d'huile frigorigère. Extrayez le gaz et l'huile frigorigère dans cette section avant de chauffer la section brasée.
 - Si la section brasée est chauffée sans d'abord extraire le gaz et l'huile frigorigère, le tube peut éclater ou le tube de connexion rétréci peut exploser, enflammer l'huile frigorigère et causer des blessures sérieuses.

⚠ Attention :

- Placez une serviette humide sur la valve de frigorigène avant de chauffer la section brasée pour que la température de la valve ne dépasse pas 120°C [248°F].
- Dirigez la flamme à l'écart du câblage et des tôles à l'intérieur de l'unité pour empêcher les dommages causés par la chaleur.

⚠ Attention :

- Connexion du tube de frigorigène
 - Ce produit inclut les tubes de connexion pour la tuyauterie vers l'avant. (Reportez-vous à la [Fig.10.2.2])
 - Contrôlez les dimensions de la tuyauterie haute pression/basse pression avant de connecter le tube de frigorigène.
 - Reportez-vous au système de tuyauterie du frigorigène en 9.2 pour des dimensions de la tuyauterie.
 - Assurez-vous que le tube de frigorigène ne touche pas d'autres tubes de frigorigène, des panneaux de l'unité ou des plaques de base.
 - Utilisez un brasage non oxydant pour la connexion des tubes.
 - Ne brûlez pas le câblage et la plaque lors du brasage.

<Exemples de connexion de la tuyauterie du frigorigène>

[Fig.10.2.2] (P.8)

- Tube de connexion (Diam. int. 19,05 [3/4], Diam. int. 15,88 [5/8]) <Inclus avec l'unité extérieure>
 - Tube de connexion (Diam. int. 25,4 [1], Diam. int. 19,05 [3/4]) <Inclus avec l'unité extérieure>
 - Tube de connexion (Diam. int. 25,4 [1], Diam. int. 22,2 [7/8]) <Inclus avec l'unité extérieure>
 - Tube de connexion (Diam. int. 19,05 [3/4], Diam. ext. 25,4 [1]) <Inclus avec l'unité extérieure>
- <A> Routage du tube avant PQRYP-T(S)HMU-A/Y(S)HMU-A côté basse pression (PQHY-P-T(S)HMU-A/Y(S)HMU-A côté gaz)
- <C> PQRYP-T(S)HMU-A/Y(S)HMU-A côté haute pression <D> Figure de référence de la partie de découpe (PQHY-P-T(S)HMU-A/Y(S)HMU-A côté liquide)

- A Forme
- B Sans tube de jumelage basse pression
- C Avec un tube de jumelage basse pression (PQRYP-TSHMU-A/YSHMU-A)
- D Tuyau de valve de frigorigène
- E Tuyauterie fournie sur site (tube de connexion basse pression)
- F Tuyauterie fournie sur site (tube de connexion haute pression)
- G Kit de jumelage (vendu séparément)
- H Tuyauterie fournie sur site (tube de connexion basse pression : vers le contrôleur BC)
- I Tuyauterie fournie sur site (tube de connexion basse pression : vers l'unité extérieure)
- J 75 mm [2-31/32 in] (mesure de référence)
- K Diam. int. ø25,4 mm [1 in] côté
- L Partie supprimée

*1 Pour la fixation du tube de jumelage (vendu séparément), reportez-vous aux instructions fournies dans le kit.

*2 Le tube de connexion n'est pas utilisé lorsque le kit de jumelage est fixé.

*3 Utilisez un coupe-tube pour la découpe.

• Routage du tube avant (pour PQHY-P-THMU-A/YHMU-A)

A	P72 : Étendez le côté haute pression de la tuyauterie fournie sur site (Diam. int. 9,52 [3/8"]) et reliez à la tuyauterie de la valve de frigorigène.
B	P72 : Utilisez le tube ②, ④ de connexion inclus pour faire le raccord. P96, P120 : Utilisez le tube ③ de connexion inclus pour faire le raccord.

• Routage du tube avant (pour PQRYP-THMU-A/YHMU-A)

A	P72 : Utilisez le tube ① de connexion inclus pour faire le raccord. P96, P120 : Étendez le côté haute pression de la tuyauterie fournie sur site (Diam. int. 19,05 [3/4"]) et reliez à la tuyauterie de la valve de frigorigène.
B	P72 : Utilisez le tube ② de connexion inclus pour faire le raccord. P96, P120 : Utilisez le tube ③ de connexion inclus pour faire le raccord.

Respectez la profondeur d'insertion minimale dans le tableau ci-dessous lors de l'extension de la tuyauterie fournie sur site.

Diamètre de tube (mm [in])	Épaisseur d'insertion minimale (mm [in])
5 [7/32] ou plus, moins de 8 [11/32]	6 [1/4]
8 [11/32] ou plus, moins de 12 [1/2]	7 [9/32]
12 [1/2] ou plus, moins de 16 [21/32]	8 [11/32]
16 [21/32] ou plus, moins de 25 [1]	10 [13/32]
25 [1] ou plus, moins de 35 [1-13/32]	12 [1/2]
35 [1-13/32] ou plus, moins de 45 [1-25/32]	14 [9/16]

- Après évacuation et chargement de frigorigène, assurez-vous que la poignée est complètement ouverte. Si la valve reste fermée, le côté haute ou basse pression du circuit frigorigère peut dysfonctionner suite à une pression anormale, et ainsi endommager le compresseur, la valve à quatre voies, etc.
- Déterminez le volume de charge supplémentaire de frigorigène en utilisant la formule, et chargez le frigorigène par le port de service après raccordement de la tuyauterie.
- Serrez le port de service et le capuchon afin de prévenir toute fuite de gaz. (Référez-vous au tableau ci-dessous pour le couple de serrage approprié.)

Couple de serrage approprié :

Diamètre extérieur du tube de cuivre (mm)	Capuchon (N·m)	Axe (N·m)	Taille de la clef à six pans (mm)	Port de service (N·m)
ø9,52	15	6	4	12
ø12,7	20	9	4	
ø15,88	25	15	6	
ø19,05	25	30	8	
ø25,4	25	30	8	

⚠ Attention :

- **Maintenez la valve fermée jusqu'à la fin du chargement de frigorigène. L'ouverture de la valve avant de charger le frigorigène peut endommager l'unité.**
- **N'utilisez pas d'additif de détection de fuite.**

10.3. Test d'herméticité, évacuation et chargement de frigorigène

① Test d'herméticité

Exécutez avec la valve de l'unité extérieure fermée (chargement du frigorigène) et pressurisez la tuyauterie de connexion et l'unité intérieure depuis le port de service fourni sur la valve de l'unité extérieure. (Pressurisez toujours depuis les ports de service des tubes haute et basse pression.)

[Fig. 10.3.1] (P.9)

- A Azote
- B À l'unité intérieure
- C Analyseur de système
- D Bouton bas
- E Bouton haut
- F Valve
- G Tube basse pression
- H Tube haute pression
- I Appareil extérieur
- J Port de service

Observez les restrictions suivantes en effectuant le test d'étanchéité à l'air pour empêcher les effets négatifs sur l'huile réfrigérante. En outre, avec le réfrigérant non azéotropique (R410A), une fuite de gaz fait changer la composition et affecte la performance. Réalisez, par conséquent, l'essai d'herméticité avec précaution.

Méthode d'essai d'herméticité	Restriction
<p>(1) Après obtention de la pression théorique (4,15 MPa) avec de l'azote, laissez le système au repos environ une journée. Si la pression ne chute pas, l'herméticité est bonne. Cependant, si la pression chute et que la zone de fuite est inconnue, le test de bulles suivant peut également être exécuté.</p> <p>(2) Après avoir effectué la pressurisation décrite ci-dessus, arrosez les pièces de connexion évasées, les pièces brasées et autres zones de fuite potentielles avec un agent de barbotage (Kyuboflex, etc.) et voyez si des bulles apparaissent.</p> <p>(3) Après le test d'herméticité, éliminez l'agent de barbotage.</p>	<ul style="list-style-type: none"> • Si un gaz inflammable ou l'air (oxygène) est utilisé comme gaz de pressurisation, il peut s'enflammer ou exploser.

⚠ Attention :

Utilisez uniquement le frigorigène R410A.

- L'utilisation d'autres réfrigérants tels que le R22 ou le R407C, qui contiennent du chlore, détériore l'huile réfrigérante ou provoque une dysfonction du compresseur.

② Évacuation

Évacuez avec la valve de l'unité extérieure fermée et évacuez en même temps la tuyauterie de connexion et l'unité intérieure depuis le port de service fourni sur la valve de l'unité extérieure à l'aide d'une pompe à vide. (Évacuez toujours depuis le port de service des tubes haute et basse pression.) Après que le vide ait atteint 650 Pa [abs], évacuez pendant au moins une heure. Arrêtez ensuite la pompe à vide et laissez-la pendant une heure. Vérifiez que le degré de vide n'a pas augmenté. **(Si le degré d'augmentation du vide est supérieur à 130 Pa, de l'eau peut être présente. Appliquez une pression d'azote sec jusqu'à 0,05 MPa et appliquez de nouveau le vide.)** Pour finir, scellez avec le frigorigène liquide à travers le tube haute pression et ajustez la tuyauterie basse pression pour obtenir une quantité appropriée de frigorigène pendant le fonctionnement. * N'exécutez jamais de purge d'air avec le frigorigène.

[Fig. 10.3.2] (P.9)

- A Analyseur de système
- B Bouton bas
- C Bouton haut
- D Valve (unité extérieure)
- E Tube basse pression
- F Tube haute pression
- G Port de service
- H Joint à trois voies
- I Valve
- J Valve
- K Cylindre de R410A
- L Échelle
- M Pompe à vide
- N À l'unité intérieure
- O Unité extérieure

Remarque :

- **Ajoutez toujours la quantité appropriée de frigorigène. En outre, chargez toujours le système avec du frigorigène liquide.**
- **Utilisez un manomètre de pression, un tuyau flexible de charge, et d'autres pièces pour le frigorigène indiqué sur l'unité.**
- **Utilisez un gravimètre. (Un modèle qui peut mesurer jusqu'à 0,1 kg.)**
- **Utilisez une pompe à vide avec clapet anti-retour de flux inverse. (Manomètre à vide recommandé : manomètre à vide Thermistor ROBINAIR 14830A)**
- **Utilisez en outre un manomètre à vide qui atteint 65 Pa [abs] ou en dessous après avoir fonctionné pendant cinq minutes.**

③ Chargement du frigorigène

Parce que le réfrigérant utilisé avec l'unité est non azéotropique, il doit être chargé à l'état liquide. En conséquence, en chargeant le frigorigène à partir d'un cylindre, si ce cylindre n'a pas de tube siphon, chargez le frigorigène liquide en tournant le cylindre à l'envers tel qu'illustré sur la Fig.10.3.3. Si le cylindre a un tube siphon comme illustré sur l'image de droite tel qu'illustré sur la Fig.10.3.3, le frigorigène liquide peut être chargé avec le cylindre debout. Suivez soigneusement les spécifications du cylindre. Si l'unité est chargée de gaz frigorigène accidentellement, remplacez tout le frigorigène avec un nouveau frigorigène. N'utilisez pas le frigorigène restant dans le cylindre.

[Fig. 10.3.3] (P.9)

- A Tuyau siphon
- B Si le cylindre de R410A n'a pas de siphon.

10.4. Isolation thermique de la tuyauterie du frigorigène

Ajoutez l'isolation à la tuyauterie du frigorigène en couvrant les tubes haute et basse pression séparément avec une épaisseur suffisante de polyéthylène résistant à la chaleur, de sorte de ne pas avoir d'espace non isolé dans le joint entre l'appareil intérieur et le matériel isolant, et entre les matériaux isolants eux-mêmes. Quand l'isolation est insuffisante, il peut y avoir condensation, etc. Faites particulièrement attention à l'isolation dans le plénum du plafond.

[Fig. 10.4.1] (P.9)

- A Fil d'acier
- B Tuyauterie
- C Mastic huileux asphaltique ou asphalte
- D Matériel d'isolation A
- E Couverture externe B

Matériel A d'isolation thermique	Fibre de verre + fil d'acier	
	Adhésif + mousse de polyéthylène anti-calorique + ruban adhésif	
Couverture externe B	Intérieur	Bande de vinyle
	Sol exposé	Chanvre étanche + asphalte bronze
	Extérieur	Chanvre étanche + plaque de zinc + peinture huileuse

Remarque :

- **Quand vous utilisez du polyéthylène comme isolant, l'asphalte n'est pas requis.**
- **Aucune isolation requise pour les fils électriques.**

[Fig. 10.4.2] (P.9)

- A Tube haute pression
- B Tube basse pression
- C Fil électrique
- D Bande de finition
- E Isolation

[Fig. 10.4.3] (P.9)

Pénétrations

[Fig. 10.4.4] (P.9)

<A> Mur intérieur (caché)	 Mur extérieur
<C> Mur extérieur (exposé)	<D> Sol (impermeabilisation)
<E> Cheminée des tuyaux du toit	
<F> Bouche incendie et mur coupe-feu	
(A) Manchon	(B) Isolant thermique
(C) Calorifuge	(D) Matériau de calfeutrage
(E) Bande	(F) Couche d'imperméabilisation
(G) Manchon avec bord	(H) Matériau calorifuge
(I) Mortier ou autre matériau de calfeutrage non combustible	
(J) Matériau d'isolation thermique incombustible	

Lors du remplissage d'un espace avec du mortier, recouvrez la bouche incendie à l'aide d'une plaque d'acier de sorte que l'isolation ne s'effondre pas. Pour cette partie, utilisez des matériaux ignifuges pour l'isolation et le revêtement. (Une bâche en vinyle ne doit pas être utilisée.)

- Isolation pour les tubes devant être ajoutés sur le site doivent satisfaire les caractéristiques suivantes :

Unité extérieure -Contrôleur BC pour PQRY-P-T(S)HMU-A/Y(S)HMU-A	Tube haute pression	10 mm [13/32"] minimum
	Tube basse pression	20 mm [13/16"] minimum
Contrôleur BC -unité intérieure pour PQRY-P-T(S)HMU-A/Y(S)HMU-A	Taille du tube de 6,35 mm à 25,4 mm [1/4" à 1"]	10 mm [13/32"] minimum
	Taille du tube de 28,58 mm à 38,1 mm [1-1/8" à 1-21/32"]	15 mm [19/32"] minimum
Unité extérieure -unité intérieure pour PQRY-P-T(S)HMU-A/Y(S)HMU-A	Taille du tube de 6,35 mm à 25,4 mm [1/4" à 1"]	10 mm [13/32"] minimum
	Taille du tube de 28,58 mm à 38,1 mm [1-1/8" à 1-21/32"]	15 mm [19/32"] minimum
Résistance à la température	100°C [212°F] min.	

- * Si les tubes sont situés dans un environnement à haute température et haute humidité, tel que l'étage supérieur d'un bâtiment, une isolation plus épaisse que celle spécifiée dans le diagramme ci-dessus peut être requise.
- * Quand le client présente certaines caractéristiques, assurez-vous qu'elles répondent également aux caractéristiques du diagramme ci-dessus.

11. Câblage (pour les détails, reportez-vous au manuel d'installation de chaque unité et du contrôleur)

11.1. Mises en garde

- Observez les règlements de votre organisation gouvernementale pour les normes techniques relatives aux équipements électriques, câblages et directives de chaque compagnie d'électricité.
- Le câblage des commandes (désigné ci-après sous le nom de ligne de transmission) doit être de 5 cm ou plus séparé du câblage d'alimentation de sorte qu'il ne soit pas affecté par le bruit électrique du câblage d'alimentation (ne pas insérer une ligne de transmission et un câble d'alimentation dans le même conduit).
- L'unité extérieure doit être correctement reliée à la terre.
- Prévoyez une longueur de câble suffisante pour les câbles du boîtier de commande électrique des unités intérieures et extérieures car ces boîtiers doivent pouvoir être retirés lors de travaux d'entretien.
- Ne connectez jamais la source principale d'alimentation au bloc de jonction de la ligne de transmission. Autrement, les éléments électriques pourraient griller.
- Utilisez un câble blindé à deux âmes pour la ligne de transmission. Si les lignes de transmission de différents systèmes sont câblées avec le même câble à âmes multiples, la mauvaise transmission et réception qui en découle provoquera un mauvais fonctionnement des appareils.
- Seule la ligne de transmission spécifiée doit être reliée au bloc de jonction. Une mauvaise connexion empêche le système de fonctionner.
- En cas de connexion avec un contrôleur système ou pour une exploitation de groupe de plusieurs systèmes frigorifiques, il est nécessaire de connecter une ligne de transmission entre les appareils extérieurs. Raccordez cette ligne entre les blocs de jonction pour une commande centralisée (ligne bifilaire non polarisée).
- Utilisez la télécommande pour configurer les groupes.

11.2. Boîtier de commande et emplacement pour le raccordement des câbles

- Unité extérieure**
 - Retirez le panneau avant du boîtier de commande en retirant les 4 vis et en le poussant légèrement vers le haut avant de le sortir.
 - Connectez la ligne de transmission intérieur – extérieur au bloc de jonction (TB3). Si plusieurs appareils extérieurs sont connectés au sein du même système frigorifique, connectez en série TB3 (borne M1, M2, \rightarrow) sur les appareils extérieurs. Connectez la ligne de transmission intérieur-extérieur pour les unités extérieures à TB3 (borne M1, M2, \rightarrow) de seulement l'une des unités extérieures.

- Connectez les lignes de transmission pour la commande centralisée (entre le système de commande centralisée et l'appareil extérieur de différents systèmes frigorifiques) au bloc de jonction de la commande centralisée (TB7). Si plusieurs appareils extérieurs sont connectés au même système frigorifique, connectez en série TB7 (borne M1, M2, S) sur les unités extérieures. (*1)
 - *1 : Si TB7 sur l'unité extérieure au sein du même système frigorifique n'est pas connecté en série, connectez la ligne de transmission pour la commande centralisée à TB7 sur l'OC (*2). Si l'OC est en panne, ou si la commande centralisée est exploitée pendant l'interruption d'alimentation, connectez en série le TB7 sur l'OC et l'OS (au cas où l'unité extérieure dont le connecteur d'alimentation CN41 sur le panneau de commande a été remplacé par un CN40 est en panne ou l'alimentation est coupée, la commande centralisée n'est pas exploitable, même lorsque le TB7 est connecté en série).
 - *2 : OC et OS des appareils extérieurs dans le même système frigorifique sont automatiquement identifiés. Ils sont identifiés comme OC et OS dans l'ordre décroissant de capacité (si la capacité est identique, ils sont classés dans l'ordre ascendant de leur numéro d'adresse).
- Dans le cas de la ligne de transmission intérieur-extérieur, connectez le câble blindé de terre à la borne de terre (\rightarrow). Dans le cas de la ligne de transmission pour la commande centralisée, connectez-la à la borne blindée (S) sur le bloc de jonction (TB7). En outre, dans le cas des unités extérieures dont le connecteur d'alimentation CN41 a été remplacé par un CN40, court-circuituez la borne blindée (S) et la borne de terre (\rightarrow) en plus de ce qui précède.
- Fixez solidement les fils connectés à l'aide de la sangle de câble en bas du bloc de jonction. La force externe appliquée au bloc de jonction peut l'endommager et provoquer un court-circuit, un défaut de mise à la terre ou un incendie.

[Fig. 11.2.1] (P.10)

- | | |
|---------------------------|---------------------------|
| (A) Source d'alimentation | (B) Ligne de transmission |
| (C) Borne de terre | |

[Fig. 11.2.2] (P.10)

- | | |
|--|---------------------------------------|
| (A) Sangle pour câble | (B) Câble de la source d'alimentation |
| (C) Borne de terre pour le raccordement à la terre | |

② Installation des conduits

- Martelez les orifices à dégager pour le conduit situé sur la base et la partie inférieure du panneau avant.
- Quand vous installez le conduit directement à travers l'orifice à dégager, retirez les ébarbures et protégez le tube à l'aide de bande-cache.
- Utilisez le conduit pour rétrécir l'orifice s'il est possible que des petits animaux pénètrent dans l'unité.

11.3. Raccordement des câbles de transmission

① Types de câbles de commande

1. Raccordement des câbles de transmission

- Types de câbles de transmission : Fil blindé CVVS, CPEVS ou MVVS
- Diamètre de câble : supérieur à 1,25 mm² [AWG16]
- Longueur maximale de câblage : pas plus de 200 m [656 ft]
- Longueur maximale des lignes de transmission pour la commande centralisée et lignes de transmission intérieur/extérieur : 500 m [1640 ft] maximum
La longueur maximale du câblage entre le bloc d'alimentation pour des lignes de transmission (commande centralisée) et chaque appareil extérieur et contrôleur de système est de 200 m [656 ft].

2. Câbles de la télécommande

• Télécommande M-NET

Type de câble de télécommande	Câble engainé à 2 âmes CVV (non blindé)
Diamètre du câble	0,3 à 1,25 mm ² (0,75 à 1,25 mm ²)*
Remarques	Quand les 10 m sont dépassés, utilisez le câble avec les mêmes caractéristiques que 1. Raccordement des câbles de transmission.

• Télécommande MA

Type de câble de télécommande	Câble engainé à 2 âmes CVV (non blindé)
Diamètre du câble	0,3 à 1,25 mm ² (0,75 à 1,25 mm ²)*
Remarques	À moins de 200 m

* Connecté avec télécommande simple.

② Exemples de câblage

- Nom du contrôleur, symbole et nombre maximal possible de contrôleurs.

Nom		Code	Connexions d'appareils possibles
Unité extérieure	Unité principale	OC	– (*2)
	Unité secondaire	OS	– (*2)
Contrôleur BC	Unité principale	BC	Un contrôleur par OC
	Unité secondaire	BS	Aucun, un ou deux contrôleurs par OC
Appareil intérieur	Contrôleur de l'appareil intérieur	IC	1 à 50 appareils pour 1 OC (*1)
Télécommande	Télécommande (*1)	RC	2 appareils maximum par groupe
Autre	Module éleveur du niveau des signaux de transmission	RP	0 à 2 appareils pour 1 OC (*1)

*1 En fonction du nombre de contrôleurs d'appareils intérieurs raccordés, un module éleveur du niveau des signaux de transmission (RP) peut s'avérer nécessaire.

*2 OC et OS des appareils extérieurs dans le même système frigorifique sont automatiquement identifiés. Ils sont identifiés comme OC et OS dans l'ordre décroissant de capacité. (Si la capacité est identique, ils sont classés dans l'ordre ascendant de leur numéro d'adresse.)

Exemple de système d'exploitation avec plusieurs appareils extérieurs (il est nécessaire d'utiliser des câbles blindés et de définir les adresses).

<Exemples de câblage de transmission>

[Fig. 11.3.1] [Fig. 11.3.4] Télécommande M-NET (P.10, 12)

*1 : Quand l'alimentation n'est pas connectée à la ligne de transmission pour la commande centralisée, débranchez le connecteur mâle de l'alimentation (CN41) sur UN appareil extérieur du système et connectez-le à CN40.

*2 : Si un contrôleur de système est utilisé, réglez SW2-1 sur tous les appareils extérieurs sur ON (marche).

[Fig. 11.3.2] [Fig. 11.3.5] Télécommande MA (P.11, 13)

<A> Changez le cavalier de CN41 à CN40

 SW2-1 : ON (marche)

<C> Laissez le cavalier sur CN41

(A) Groupe 1

(B) Groupe 3

(C) Groupe 5

(D) Fil blindé

(E) Télécommande secondaire

() Adresse

[Fig. 11.3.6] Combinaison d'appareils extérieurs et de module éleveur du niveau des signaux de transmission (P.13)

- () Adresse
- Connectez en série les bornes (TB3) des unités extérieures dans le même système frigorifique.
- Laissez tel quel le cavalier sur la borne CN41. Lors de la connexion d'un contrôleur de système à la ligne de transmission (TB7) pour la commande centralisée, reportez-vous à la [Fig. 11.3.1]~[Fig. 11.3.4] ou au Livre de données.

<Méthode de câblage et définition des adresses>

- Utilisez toujours des câbles blindés lors de la connexion de l'appareil extérieur (OC) et de l'appareil intérieur (IC), ainsi que pour les intervalles de câblage OC-OC, OC-OS et IC-IC.
- Utilisez des câbles d'alimentation pour raccorder les terminaux M1 et M2 et la borne de terre \perp du câble de transmission du bloc terminal (TB3) de chaque appareil extérieur (OC) aux bornes M1, M2 et S des câbles de transmission du bloc de l'appareil intérieur (IC). Pour OC et OS, connectez TB3 à TB3.
- Raccordez les bornes 1 (M1) et 2 (M2) du bloc terminal des câbles de transmission de l'appareil intérieur (IC) qui possède l'adresse la plus récente au sein d'un même groupe au bloc terminal de la télécommande (RC).
- Connectez ensemble les bornes M1, M2 et S du bloc terminal pour la commande centrale (TB7) de l'appareil extérieur (OC) dans un système frigorifique différent. Pour OC et OS dans le même système frigorifique, connectez TB7 à TB7.
- Quand l'alimentation n'est pas installée sur la ligne de transmission de la commande centrale, changez le cavalier sur le panneau de commandes de CN41 à CN40 sur un seul appareil extérieur du système.
- Sur l'appareil extérieur (OC) dans lequel le cavalier est inséré dans la borne CN40 (voir le point e ci-dessus), raccordez la borne S du bloc terminal pour la commande centrale (TB7) à la borne de terre \perp du boîtier des composants électriques.
- Réglez le commutateur d'adresses comme indiqué ci-dessus.

* Pour régler l'adresse de l'appareil extérieur sur 100, le commutateur d'adresse extérieure doit se trouver sur 50.

Appareil	Plage	Méthode de réglage
Appareil intérieur (Principal)	01 à 50	Utilisez l'adresse la plus récente au sein du même groupe d'appareils intérieurs. Avec un système R2 avec contrôleurs BC secondaires, réglez l'adresse de l'unité extérieur dans l'ordre suivant : ① Unités intérieures reliées au contrôleur BC principal ② Unités intérieures reliées au contrôleur BC secondaire 1 ③ Unités intérieures reliées au contrôleur BC secondaire 2 Réglez les adresses des unités intérieures de sorte que toutes les adresses de ① soient plus petites que les adresses de ② et que les adresses de ② soient plus petites que les adresses de ③.
Appareil intérieur (Secondaire)	01 à 50	Utilisez une adresse, autre que celle de l'IC principal, parmi les unités d'un même groupe d'appareils intérieurs. Celle-ci doit se trouver en séquence avec l'IC principal
Appareil extérieur (OC, OS)	51 à 100	Réglez les adresses des appareils extérieurs du même système frigorifique dans l'ordre séquentiel des numéros. OC et OS sont automatiquement identifiés. (*1)
Contrôleur BC (principal)	51 à 100	Adresse d'appareil extérieur plus 1. Lorsque l'adresse d'appareil intérieur réglée duplique l'adresse d'un autre appareil intérieur, réglez la nouvelle adresse sur une adresse libre dans la plage de réglage.
Contrôleur BC (secondaire)	51 à 100	Adresse la plus basse des appareils intérieurs connectés au contrôleur BC (secondaire) plus 50
M-NET R/C (principal)	101 à 150	Réglez sur une adresse IC (principale) au sein du même groupe plus 100
M-NET R/C (secondaire)	151 à 200	Réglez sur une adresse IC (principale) au sein du même groupe plus 150
MA R/C	–	Définition inutile d'adresse (définition principale/secondaire nécessaire)

- h. L'opération de réglage groupé pour des appareils intérieurs multiples s'effectue par le biais de la télécommande (RC) après la mise sous tension.
- i. Quand la télécommande centralisée est connectée au système, réglez les commutateurs de commande centralisée (SW2-1) sur les panneaux de commandes de tous les appareils extérieurs (OC, OS) sur "ON" (marche).
- *1 OC et OS des appareils extérieurs dans le même système frigorifique sont automatiquement identifiés. Ils sont identifiés comme OC et OS dans l'ordre décroissant de capacité (si la capacité est identique, ils sont classés dans l'ordre ascendant de leur numéro d'adresse).

<Longueurs maximales>

① **Télécommande M-NET [Fig. 11.3.4] (P.12)**

- Longueur maxi via les appareils extérieurs : $L_1+L_2+L_3+L_4$ et $L_1+L_2+L_3+L_5$ et $L_1+L_2+L_6 \leq 500$ m [1.640 ft] (1,25 mm² [AWG 16] ou plus)
- Longueur maxi du câble de transmission : L_1 et L_3+L_4 et L_3+L_5 et L_6 et $L_2+L_6 \leq 200$ m [656 ft] (1,25 mm² [AWG 16] ou plus)
- Longueur du câble de télécommande : $l_1, l_2, l_3, l_4 \leq 10$ m [32 ft] (0,3 à 1,25 mm² [AWG 22 à 16])
Si la longueur excède 10 m [32 ft], utilisez un fil blindé de 1,25 mm² [AWG 16]. La longueur de cette section (L_8) doit être incluse dans le calcul de la longueur maximale et de la longueur globale.

② **Télécommande MA [Fig. 11.3.5] (P.13)**

- Longueur maxi via les appareils extérieurs (câble M-NET) : $L_1+L_2+L_3+L_4$ et $L_1+L_2+L_6 \leq 500$ m [1.640 ft] (1,25 mm² [AWG 16] ou plus)
- Longueur maxi du câble de transmission (câble M-NET) : L_1 et L_3+L_4 et L_6 et $L_2+L_6 \leq 200$ m [656 ft] (1,25 mm² [AWG 16] ou plus)
- Longueur du câble de télécommande : m_1+m_2 et $m_1+m_2+m_3+m_4 \leq 200$ m [656 ft] (0,3 à 1,25 mm² [AWG 22 à 16])

③ **Élévateur du niveau des signaux de transmission [Fig. 11.3.6] (P.13)**

- Longueur maxi du câble de transmission (câble M-NET) :
 - $L_{11} + L_{12} + L_{13} + L_{14} + L_{16} + L_{17} \leq 200$ m [656 ft] (1,25 mm² [AWG 16])
 - $L_{11} + L_{12} + L_{13} + L_{14} + L_{16} + L_{18} \leq 200$ m [656 ft] (1,25 mm² [AWG 16])
 - $L_{11} + L_{12} + L_{13} + L_{15} \leq 200$ m [656 ft] (1,25 mm² [AWG 16])
 - $L_{17} + L_{16} + L_{14} + L_{15}, L_{15} + L_{14} + L_{16} + L_{18} \leq 200$ m [656 ft] (1,25 mm² [AWG 16])
- Longueur du câble de télécommande : $l_1, l_2 \leq 10$ m [32 ft] (0,3 à 1,25 mm² [AWG 22 à 16])
Si la longueur excède 10 m [32 ft], utilisez un fil blindé de 1,25 mm² [AWG 16] et calculez la longueur de cette section (L_{15} et L_{18}) au sein de la longueur maximale totale et de la longueur vers l'appareil le plus distant.

11.4. Câblage de l'alimentation principale et capacité des équipements

Schéma du câblage (exemple)

[Fig. 11.4.1] (P.13)

- (A) Commutateur (disjoncteurs pour câblage et fuite de courant) (B) Disjoncteurs pour fuite de courant (C) Appareil extérieur
 (D) Boîtier de traction (E) Appareil intérieur (F) Contrôleur BC (standard ou principal) (F') Contrôleur BC (secondaire)

Épaisseur de câble pour l'alimentation principale, capacités du commutateur et impédance du système

	Modèle	Combinaison d'unité	Épaisseur minimale du câble (mm ² [AWG])			Commutateur (A)		Disjoncteur pour câblage (NFB) (A)	Disjoncteur pour fuite de courant	Courant maximal (A)
			Câble principal	Embranchement	Terre	Capacité	Fusible			
Unité extérieure [PQHY-P-THMU-A]	PQHY-P72THMU-A	-	12,0 [3,3]	-	12,0 [3,3]	20,0	25,0	20,0	20A 30mA ou 100mA 0,1s, ou moins	18,8
	PQHY-P96THMU-A	-	10,0 [5,3]	-	10,0 [5,3]	30,0	30,0	30,0	30A 30mA ou 100mA 0,1s, ou moins	26,9
	PQHY-P120THMU-A	-	8,0 [8,4]	-	8,0 [8,4]	40,0	50,0	40,0	40A 100mA 0,1s, ou moins	35,4
Unité extérieure [PQHY-P-YHMU-A]	PQHY-P72YHMU-A	-	14,0 [2,1]	-	14,0 [2,1]	15,0	15,0	15,0	15A 30mA ou 100mA 0,1s, ou moins	8,5
	PQHY-P96YHMU-A	-	14,0 [2,1]	-	14,0 [2,1]	15,0	15,0	15,0	15A 30mA ou 100mA 0,1s, ou moins	12,1
	PQHY-P120YHMU-A	-	12,0 [3,3]	-	12,0 [3,3]	20,0	20,0	20,0	20A 30mA ou 100mA 0,1s, ou moins	16,0
Unité extérieure [PQRY-P-THMU-A]	PQRY-P72THMU-A	-	12,0 [3,3]	-	12,0 [3,3]	20,0	25,0	20,0	20A 30mA ou 100mA 0,1s, ou moins	19,3
	PQRY-P96THMU-A	-	10,0 [5,3]	-	10,0 [5,3]	30,0	40,0	30,0	30A 30mA ou 100mA 0,1s, ou moins	27,6
	PQRY-P120THMU-A	-	8,0 [8,4]	-	8,0 [8,4]	40,0	50,0	40,0	40A 100mA 0,1s, ou moins	36,4
Unité extérieure [PQRY-P-YHMU-A]	PQRY-P72YHMU-A	-	14,0 [2,1]	-	14,0 [2,1]	15,0	15,0	15,0	15A 30mA ou 100mA 0,1s, ou moins	8,8
	PQRY-P96YHMU-A	-	14,0 [2,1]	-	14,0 [2,1]	15,0	15,0	15,0	15A 30mA ou 100mA 0,1s, ou moins	12,5
	PQRY-P120YHMU-A	-	12,0 [3,3]	-	12,0 [3,3]	20,0	20,0	20,0	20A 30mA ou 100mA 0,1s, ou moins	16,5
Appareil intérieur			0,41 [22]	0,41 [22]		15,0	15,0	15,0	20A 30mA ou 100mA 0,1s, ou moins	-

- Utilisez une alimentation séparée pour l'appareil extérieur et pour l'appareil intérieur. Assurez que l'OC et l'OS sont câblés individuellement.
- Tenez toujours compte des conditions ambiantes (température ambiante, rayons solaires directs, pluie, etc.) lors du câblage et des raccordements.
- Les dimensions des câbles données correspondent à la valeur minimum pour le câblage du conduit métallique. Si la tension chute, utilisez un câble qui a un diamètre plus épais.
Assurez-vous que la tension d'alimentation ne tombe pas de plus de 10 %.
- Les conditions spécifiques de câblage doivent se conformer aux règlements de câblage locaux.
- Les cordons d'alimentation des éléments des équipements utilisés à l'extérieur ne pourront pas répondre à des spécifications inférieures à celles du cordon souple gainé en polychloroprène (norme 245 IEC57).
- Un commutateur avec une séparation de contact d'au moins 3 mm dans chaque pôle doit être fourni par l'installateur du climatiseur.

⚠ Avertissement :

- Soyez sûr d'utiliser les câbles spécifiés pour les connexions et veillez à ce qu'aucune force externe ne soit transmise aux bornes de connexion. Si les connexions ne sont pas fermement réalisées, un échauffement ou un incendie peut en résulter.
- Soyez sûr d'utiliser le type approprié de commutateur de protection de surintensité. Notez que la surintensité produite peut inclure une certaine quantité de courant continu.

⚠ Attention :

- Certains sites d'installation peuvent requérir la connexion d'un disjoncteur de fuite de terre pour l'inverseur. Si aucun disjoncteur de fuite de la terre n'est installé, il y a un danger de choc électrique.
- N'utilisez pas de disjoncteur et de fusible de capacité incorrecte. Utiliser un fusible ou un câble de trop grande capacité peut causer un défaut de fonctionnement ou un incendie.

12. Essai de fonctionnement

12.1. Les phénomènes suivants ne représentent pas des défauts.

Phénomène	Affichage de la télécommande	Cause
L'appareil intérieur n'exécute pas le refroidissement (chauffage).	"Refroidissement (chauffage)" clignote	Lorsqu'un autre appareil intérieur est en mode de chauffage (refroidissement), le refroidissement (chauffage) n'est pas exécuté.
L'ailette automatique tourne et commence à souffler l'air horizontalement.	Affichage normal	Si l'air a soufflé vers le bas pendant une heure au cours du refroidissement, l'appareil peut automatiquement changer en soufflement horizontal avec l'opération de contrôle de l'ailette automatique. Pendant le dégivrage ou immédiatement après la mise en route/arrêt du chauffage, l'ailette automatique tourne automatiquement pour souffler l'air horizontalement pendant une période courte.
Le réglage du ventilateur change durant le chauffage.	Affichage normal	Le fonctionnement en vitesse très lente commence lorsque le thermostat est désactivé. Un souffle d'air léger passe à la valeur temporelle prédéfinie ou à la température de la tuyauterie lorsque le thermostat est activé.
Le ventilateur ne s'arrête pas alors que le fonctionnement a été arrêté.	Aucun éclairage	Le ventilateur est programmé pour continuer de fonctionner pendant 1 minute après l'arrêt de l'appareil afin d'évacuer toute chaleur résiduelle (seulement en mode de chauffage).
Ventilateur non réglé alors que le commutateur de mise en marche est activé.	Chauffage prêt	Le ventilateur fonctionne à vitesse extrêmement réduite pendant 5 minutes après l'activation du commutateur ou jusqu'à ce que la température de la tuyauterie atteigne 35°C, il fonctionne ensuite lentement pendant les 2 minutes qui suivent, puis il fonctionne selon le préréglage (Commande de réglage de la chaleur).
La télécommande de l'appareil intérieur affiche "H0" ou "PLEASE WAIT" pendant environ cinq minutes après la mise sous tension.	"H0" ou "PLEASE WAIT" clignote	Le système est mis en marche. Utilisez de nouveau la télécommande lorsque "H0" ou "PLEASE WAIT" a disparu de l'affichage.
La pompe de drainage ne s'arrête pas lorsque l'appareil s'est arrêté.	Lumière éteinte	Après l'arrêt du refroidissement, l'appareil continue à actionner la pompe de drainage pendant trois minutes avant de l'arrêter.
La pompe de drainage continue à fonctionner alors que l'appareil a été arrêté.		L'appareil continue à actionner la pompe de drainage si un drainage est généré, même après l'arrêt de l'appareil.
L'appareil intérieur émet un bruit en commutant du chauffage au refroidissement et vice-versa.	Affichage normal	C'est un bruit de commutation du circuit frigorifique et n'implique pas un problème.
Immédiatement après la mise en route, l'appareil intérieur émet un bruit du flux frigorifique.	Affichage normal	Le flux instable du frigorigène émet un bruit. C'est provisoire et n'implique pas un problème.
De l'air chaud provient d'un appareil intérieur qui n'exécute pas de chauffage.	Affichage normal	Le LEV est légèrement ouvert pour empêcher le frigorigène de l'appareil intérieur qui n'exécute pas le chauffage d'être liquéfié. Ceci n'implique pas un problème.

13. Informations de la plaque signalétique

PQHY-P-THMU-A

Unité (individuelle)	PQHY-P72THMU-A	PQHY-P96THMU-A	PQHY-P120THMU-A
Ensemble de module	-		
Frigorigène (R410A)	5,0kg		
Pression admissible (Ps)	HP:4,15MPa[601psi], LP:2,21MPa[320psi]		
Poids net	196kg [433LBS]		

Unité (individuelle)	PQHY-P144TSHMU-A	PQHY-P168TSHMU-A	PQHY-P192TSHMU-A	PQHY-P216TSHMU-A	PQHY-P240TSHMU-A
Ensemble de module	P72 + P72	P96 + P72	P96 + P96	P120 + P96	P120 + P120
Frigorigène (R410A)	5,0kg + 5,0kg [(11LBS + 1 oz) + (11LBS + 1 oz)]				
Pression admissible (Ps)	HP:4,15MPa[601psi], LP:2,21MPa[320psi]				
Poids net	196kg + 196kg [433LBS + 433LBS]				

Unité (individuelle)	PQHY-P264TSHMU-A	PQHY-P288TSHMU-A	PQHY-P312TSHMU-A	PQHY-P336TSHMU-A	PQHY-P360TSHMU-A
Ensemble de module	P96 + P96 + P72	P96 + P96 + P96	P120 + P96 + P96	P120 + P120 + P96	P120 + P120 + P120
Frigorigène (R410A)	5,0 kg + 5,0 kg + 5,0 kg				
Pression admissible (Ps)	HP:4,15MPa[601psi], LP:2,21MPa[320psi]				
Poids net	196kg + 196kg + 196kg [433LBS + 433LBS + 433LBS]				

PQRY-P-THMU-A

Unité (individuelle)	PQRY-P72THMU-A	PQRY-P96THMU-A	PQRY-P120THMU-A
Ensemble de module	-		
Frigorigène (R410A)	5,0kg		
Pression admissible (Ps)	HP:4,15MPa[601psi], LP:2,21MPa[320psi]		
Poids net	182kg [402LBS]		

Unité (individuelle)	PQRY-P144TSHMU-A	PQRY-P168TSHMU-A	PQRY-P192TSHMU-A	PQRY-P216TSHMU-A	PQRY-P240TSHMU-A
Ensemble de module	P72 + P72	P96 + P72	P96 + P96	P120 + P96	P120 + P120
Frigorigène (R410A)	5,0kg + 5,0kg [(11LBS + 1 oz) + (11LBS + 1 oz)]				
Pression admissible (Ps)	HP:4,15MPa[601psi], LP:2,21MPa[320psi]				
Poids net	182kg + 182kg [402LBS + 402LBS]				

PQHY-P-YHMU-A

Unité (individuelle)	PQHY-P72YHMU-A	PQHY-P96YHMU-A	PQHY-P120YHMU-A
Ensemble de module	-		
Frigorigène (R410A)	5,0kg		
Pression admissible (Ps)	HP:4,15MPa[601psi], LP:2,21MPa[320psi]		
Poids net	208kg [459LBS]		

Unité (individuelle)	PQHY-P144YSHMU-A	PQHY-P168YSHMU-A	PQHY-P192YSHMU-A	PQHY-P216YSHMU-A	PQHY-P240YSHMU-A
Ensemble de module	P72 + P72	P96 + P72	P96 + P96	P120 + P96	P120 + P120
Frigorigène (R410A)	5,0kg + 5,0kg [(11LBS + 1 oz) + (11LBS + 1 oz)]				
Pression admissible (Ps)	HP:4,15MPa[601psi], LP:2,21MPa[320psi]				
Poids net	208kg + 208kg [459LBS + 459LBS]				

Unité (individuelle)	PQHY-P264YSHMU-A	PQHY-P288YSHMU-A	PQHY-P312YSHMU-A	PQHY-P336YSHMU-A	PQHY-P360YSHMU-A
Ensemble de module	P96 + P96 + P72	P96 + P96 + P96	P120 + P96 + P96	P120 + P120 + P96	P120 + P120 + P120
Frigorigène (R410A)	5,0 kg + 5,0 kg + 5,0 kg				
Pression admissible (Ps)	HP:4,15MPa[601psi], LP:2,21MPa[320psi]				
Poids net	208kg + 208kg + 208kg [459LBS + 459LBS + 459LBS]				

PQRY-P-YHMU-A

Unité (individuelle)	PQRY-P72YHMU-A	PQRY-P96YHMU-A	PQRY-P120YHMU-A
Ensemble de module	-		
Frigorigène (R410A)	5,0kg		
Pression admissible (Ps)	HP:4,15MPa[601psi], LP:2,21MPa[320psi]		
Poids net	194kg [428LBS]		

Unité (individuelle)	PQRY-P144YSHMU-A	PQRY-P168YSHMU-A	PQRY-P192YSHMU-A	PQRY-P216YSHMU-A	PQRY-P240YSHMU-A
Ensemble de module	P72 + P72	P96 + P72	P96 + P96	P120 + P96	P120 + P120
Frigorigène (R410A)	5,0kg + 5,0kg [(11LBS + 1 oz) + (11LBS + 1 oz)]				
Pression admissible (Ps)	HP:4,15MPa[601psi], LP:2,21MPa[320psi]				
Poids net	194kg + 194kg [428LBS + 428LBS]				

This product is designed and intended for use in the residential, commercial and light-industrial environment.

Please be sure to put the contact address/telephone number on this manual before handing it to the customer.