



CITY MULTI

Air-Conditioners For Building Application

Hyper Heating Inverter Y-Series

OUTDOOR UNIT

PUHY-HP-TJMU-A(-BS)

For use with R410A

INSTALLATION MANUAL

For safe and correct use, please read this installation manual thoroughly before installing the air-conditioner unit.

MANUEL D'INSTALLATION

Veillez lire le manuel d'installation en entier avant d'installer ce climatiseur pour éviter tout accident et vous assurer d'une utilisation correcte.

GB

F

Contents


1. Safety precautions	2	10. Additional refrigerant charge	10
1.1. Before installation and electric work	2	10.1. Calculation of additional refrigerant charge	10
1.2. Precautions for devices that use R410A refrigerant	3	10.2. Precautions concerning piping connection and valve operation	10
1.3. Before installation	3	10.3. Airtight test, evacuation, and refrigerant charging	12
1.4. Before installation (relocation) - electrical work	3	10.4. Thermal insulation of refrigerant piping	13
1.5. Before starting the test run	3	11. Wiring (For details, refer to the installation manual of each indoor/outdoor unit and controller.)	14
2. About the product	3	11.1. Caution	14
3. Combination of outdoor units	4	11.2. Control box and connecting position of wiring	14
4. Specifications	4	11.3. Wiring transmission cables	14
5. Parts included list	4	11.4. Wiring of main power supply and equipment capacity	17
6. Space required for unit installation and operation	4	12. Test run/Typical unit operation	18
7. Transporting the unit	5	13. Rating plate information	18
8. Installation of unit	6		
8.1. Installation	6		
9. Refrigerant piping installation	6		
9.1. Caution	6		
9.2. Refrigerant piping system	8		


1. Safety precautions

1.1. Before installation and electric work





- ▶ Before installing the unit, make sure you read all the “Safety precautions”.
- ▶ The “Safety precautions” provide very important points regarding safety. Make sure you follow them.

Symbols used in the text

 **Warning:**
Describes precautions that should be observed to prevent danger of injury or death to the user.

 **Caution:**
Describes precautions that should be observed to prevent damage to the unit.

Symbols used in the illustrations

-  : Indicates an action that must be avoided.
-  : Indicates that important instructions must be followed.
-  : Indicates a part which must be grounded.
-  : Beware of electric shock. (This symbol is displayed on the main unit label.)
<Color: yellow>

-  **Warning:**
Carefully read the labels attached to the outdoor unit.

HIGH VOLTAGE WARNING:

- Control box houses high-voltage parts.
- When opening or closing the front panel of the control box, do not let it come into contact with any of the internal components.
- Before inspecting the inside of the control box, turn off the power, keep the unit off for at least 10 minutes, and confirm that the voltage between FT-P and FT-N on INV Board has dropped to DC20V or less. (It takes about 10 minutes to discharge electricity after the power supply is turned off.)

Warning:

- Ask the dealer or an authorized technician to install the air conditioner.
 - Improper installation by the user may result in water leakage, electric shock, or fire.
- Install the unit at a place that can withstand its weight.
 - Failure to do so may cause the unit to fall down, resulting in injuries and damage to the unit.
- Use the specified cables for wiring. Make the connections securely so that the outside force of the cable is not applied to the terminals.
 - Inadequate connection and fastening may generate heat and cause a fire.
- Prepare for strong winds and earthquakes and install the unit at the specified place.
 - Improper installation may cause the unit to topple and result in injury and damage to the unit.
- Always use filters and other accessories specified by Mitsubishi Electric.
 - Ask an authorized technician to install the accessories. Improper installation by the user may result in water leakage, electric shock, or fire.

- Never attempt to repair the unit without the proper qualifications. If the air conditioner must be repaired consult the dealer, contractor or qualified Refrigeration Engineer.
 - If the unit is repaired improperly, water leakage, electric shock, or fire may result.
- Do not touch the heat exchanger fins.
 - Improper handling may result in injury.
- If refrigerant gas leaks during installation work, ventilate the room.
 - If the refrigerant gas comes into contact with a flame, poisonous gases will be released.
- Install the air conditioner according to this Installation Manual.
 - If the unit is installed improperly, water leakage, electric shock, or fire may result.
- Have all electric work done by a licensed electrician according to the “Electric Facility Engineering Standard”, the “Wire Regulations in each area” and the instructions given in this manual and always use a dedicated power supply.
 - If the power source capacity is inadequate or electric work is performed improperly, electric shock and fire may result.
- Securely install the outdoor unit terminal cover (panel).
 - If the terminal cover (panel) is not installed properly, dust or water may enter the outdoor unit and fire or electric shock may result.
- When installing and moving the air conditioner to another site, do not charge it with a refrigerant different from the refrigerant specified on the unit.
 - If a different refrigerant or air is mixed with the original refrigerant, the refrigerant cycle may malfunction and the unit may be damaged.
- If the air conditioner is installed in a small room, measures must be taken to prevent the refrigerant concentration from exceeding the safety limit if the refrigerant should leak.
 - Consult the dealer regarding the appropriate measures to prevent the safety limit from being exceeded. Should the refrigerant leak and cause the safety limit to be exceeded, hazards due to lack of oxygen in the room could result.
- When moving and reinstalling the air conditioner, consult the dealer or an authorized technician.
 - If the air conditioner is installed improperly, water leakage, electric shock, or fire may result.
- After completing installation work, make sure that refrigerant gas is not leaking.
 - If the refrigerant gas leaks and is exposed to a fan heater, stove, oven, or other heat source, it may generate noxious gases.
- Do not reconstruct or change the settings of the protection devices.
 - If the pressure switch, thermal switch, or other protection device is shorted or operated forcibly, or parts other than those specified by Mitsubishi Electric are used, fire or explosion may result.
- To dispose of this product, consult your dealer.
- The installer and system specialist shall secure safety against leakage according to local regulation or standards.
 - Choose the appropriate wire size and the switch capacities for the main power supply described in this manual if local regulations are not available.
- Pay special attention to the place of installation, such as a basement, etc. where refrigeration gas can accumulate, since refrigerant is heavier than the air.
- For outdoor units that allow outside air intake to the indoor unit, the installation site must be carefully chosen to ensure only clean air can enter the room.
 - Direct exposure to outdoor air may have harmful effects on people or food.

1.2. Precautions for devices that use R410A refrigerant

⚠ Caution:

- **Do not use existing refrigerant piping.**
 - The old refrigerant and refrigerant oil in the existing piping contains a large amount of chlorine which may cause the refrigerant oil of the new unit to deteriorate.
 - R410A is a high-pressure refrigerant and can cause the existing piping to burst.
- **Use refrigerant piping made of phosphorus deoxidized copper and copper alloy seamless pipes and tubes. In addition, be sure that the inner and outer surfaces of the pipes are clean and free of hazardous sulphur, oxides, dust/dirt, shaving particles, oils, moisture, or any other contaminant.**
 - Contaminants on the inside of the refrigerant piping may cause the refrigerant oil to deteriorate.
- **Store the piping to be used during installation indoors and keep both ends of the piping sealed until just before brazing. (Store elbows and other joints in a plastic bag.)**
 - If dust, dirt, or water enters the refrigerant cycle, deterioration of the oil and compressor failure may result.
- **Apply only a small amount of ester oil, ether oil, or alkyl benzene to flare connections (for indoor unit).**
 - Infiltration of a large amount of mineral oil may cause the refrigerant oil to deteriorate.
- **Use liquid refrigerant to fill the system.**
 - If gas refrigerant is used to fill the system, the composition of the refrigerant in the cylinder will change and performance may drop.
- **Do not use a refrigerant other than R410A.**
 - If another refrigerant (R22, etc.) is mixed with R410A, the chlorine in the refrigerant may cause the refrigerant oil to deteriorate.
- **Use a vacuum pump with a reverse flow check valve.**
 - The vacuum pump oil may flow back into the refrigerant cycle and cause the refrigerant oil to deteriorate.
- **Do not use the following tools that are used with conventional refrigerants. (Gauge manifold, charge hose, gas leak detector, reverse flow check valve, refrigerant charge base, refrigerant recovery equipment)**
 - If the conventional refrigerant and refrigerant oil are mixed in the R410A, the refrigerant may deteriorate.
 - If water is mixed in the R410A, the refrigerant oil may deteriorate.
 - Since R410A does not contain any chlorine, gas leak detectors for conventional refrigerants will not react to it.
- **Do not use a charging cylinder.**
 - Using a charging cylinder may cause the refrigerant to deteriorate.
- **Be especially careful when managing the tools.**
 - If dust, dirt, or water gets into the refrigerant cycle, the refrigerant may deteriorate.

1.3. Before installation

⚠ Caution:

- **Do not install the unit where combustible gas may leak.**
 - If the gas leaks and accumulates around the unit, an explosion may result.
- **Do not use the air conditioner where food, pets, plants, precision instruments, or artwork are kept.**
 - The quality of the food, etc. may deteriorate.
- **Do not use the air conditioner in special environments.**
 - Oil, steam, sulfuric smoke, etc. can significantly reduce the performance of the air conditioner or damage its parts.
- **When installing the unit in a hospital, communication station, or similar place, provide sufficient protection against noise.**
 - Inverter equipment, private power generator, high-frequency medical equipment, or radio communication equipment may cause the air conditioner to operate erroneously, or fail to operate. On the other hand, the air conditioner may affect such equipment by creating noise that disturbs medical treatment or image broadcasting.
- **Do not install the unit on or over things that are subject to water damage.**
 - When the room humidity exceeds 80% or when the drain pipe is clogged, condensation may drip from the indoor unit. Perform collective drainage work together with the outdoor unit, as required.

2. About the product

- This unit uses R410A-type refrigerant
- Piping for systems using R410A may be different from that for systems using conventional refrigerant because the design pressure in systems using R410A is higher. Refer to the Data Book for more information.
- Some of the tools and equipment used for installation with systems that use other types of refrigerant cannot be used with the systems using R410A. Refer to the Data Book for more information.

1.4. Before installation (relocation) - electrical work

⚠ Caution:

- **Ground the unit.**
 - Do not connect the ground wire to gas or water pipes, lightning rods, or telephone ground lines. Improper grounding may result in electric shock.
- **Install the power cable so that tension is not applied to the cable.**
 - Tension may cause the cable to break and generate heat and cause a fire.
- **Install a leak circuit breaker, as required.**
 - If a leak circuit breaker is not installed, electric shock may result.
- **Use power line cables of sufficient current carrying capacity and rating.**
 - Cables that are too small may leak, generate heat, and cause a fire.
- **Use only a circuit breaker and fuse of the specified capacity.**
 - A fuse or circuit breaker of a larger capacity, or the use of a substitute simple steel or copper wire may result in a general unit failure or fire.
- **Do not wash the air conditioner units.**
 - Washing them may cause an electric shock.
- **Be careful that the installation base is not damaged by long use.**
 - If the damage is left uncorrected, the unit may fall and cause personal injury or property damage.
- **Install the drain piping according to this Installation Manual to ensure proper drainage. Wrap thermal insulation around the pipes to prevent condensation.**
 - Improper drain piping may cause water leakage causing damage to furniture and other possessions.
- **Be very careful about transporting the product.**
 - One person should not carry the product. Its weight is in excess of 20 kg [45LBS].
 - Some products use PP bands for packaging. Do not use any PP bands as a means of transportation. It is dangerous.
 - Do not touch the heat exchanger fins. Doing so may cut your fingers.
 - When transporting the outdoor unit, support it at the specified positions on the unit base. Also support the outdoor unit at four points so that it cannot slip sideways.
- **Safely dispose of the packing materials.**
 - Packing materials, such as nails and other metal or wooden parts, may cause stabs or other injuries.
 - Tear apart and throw away plastic packaging bags so that children will not play with them. If children play with a plastic bag which has not been torn apart, they face the risk of suffocation.

1.5. Before starting the test run

⚠ Caution:

- **Turn on the power at least 12 hours before starting operation.**
 - Starting operation immediately after turning on the main power switch can result in irreversible damage to internal parts. Keep the power switch turned on during the operational season. Make sure of the phase order of power supply and voltage between each phase.
- **Do not touch the switches with wet fingers.**
 - Touching a switch with wet fingers can result in an electric shock.
- **Do not touch the refrigerant pipes during and immediately after operation.**
 - During and immediately after operation, the refrigerant pipes may be hot or cold, depending on the condition of the refrigerant flowing through the refrigerant piping, compressor, and other refrigerant cycle parts. Your hands may suffer burns or frostbite if you touch the refrigerant pipes.
- **Do not operate the air conditioner with the panels and guards removed.**
 - Rotating, hot, or high-voltage parts can cause injuries.
- **Do not turn off the power immediately after stopping operation.**
 - Always wait at least 5 minutes before turning off the power. Otherwise, drainage water leakage or mechanical failure of sensitive parts may occur.
- **Do not touch the surface of the compressor during servicing.**
 - If the unit is connected to a supply and not running, the crank case heater located at the base of the compressor may still be operating.

3. Combination of outdoor units

Component units of PUHY-HP144 to HP192 are listed below.

Outdoor unit model	Component unit models	
PUHY-HP72TJMU-A(-BS)	-	-
PUHY-HP96TJMU-A(-BS)	-	-
PUHY-HP144TSJMU-A(-BS)	PUHY-HP72TJMU-A(-BS)	PUHY-HP72TJMU-A(-BS)
PUHY-HP192TSJMU-A(-BS)	PUHY-HP96TJMU-A(-BS)	PUHY-HP96TJMU-A(-BS)

* PUHY-HP144/192TSJMU-A(-BS) require "Twinning Kit" to connect component unit modules in the field.

4. Specifications

Model	PUHY-HP72TJMU-A	PUHY-HP96TJMU-A	PUHY-HP144TSJMU-A	PUHY-HP192TSJMU-A
Sound level (60Hz)	56dB <A>	57dB <A>	59dB <A>	60dB <A>
External static pressure	0 Pa*2			
Indoor units	Total capacity	50 ~ 130%*1		
	Model	06 ~ 96		
Quantity	1 ~ 13	1 ~ 16	1 ~ 22	1 ~ 24
	Standard type	Cooling mode: - 5°CDB ~ 43°CDB [23°FDB ~ 109°FDB] (0°CDB ~ 43°CDB [32°FDB ~ 109°FDB] with outdoor unit at lower position)		
Operation temperature	Heating mode:	- 25°CWB ~ 15.5°CWB [-13°FWB ~ 60°FWB]		
	Outside air intake type	Cooling mode: 21°CDB/15.5°CWB ~ 43°CDB/35°CWB (70°FDB/60°FWB ~ 109°FDB/95°FWB)		
	Heating mode:	- 10°CDB ~ 20°CDB [14°FDB ~ 68°FDB]		

*1: The total indoor capacity of units run simultaneously is 130% or less.

*2: To enable high static pressure, set the DipSW on the main panel as follows.

SW3-9: ON, SW3-10 60Pa compatible: OFF, 30Pa compatible: ON

GB

5. Parts included list

Model	P72	P96	Adapter <Check joint>
			2 pcs.
			2 pcs.

6. Space required for unit installation and operation

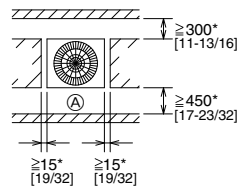
① In case of single installation

- Secure enough space around the unit as shown in the figure below.

[Fig. 6.0.1]

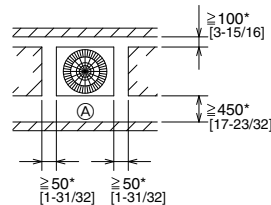
(1) If the distance is 300 mm [11-13/16 in] or more between the rear side and the wall

<A> Top view



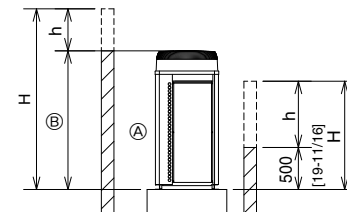
(2) If the distance is 100 mm [3-15/16 in] or more between the rear side and the wall

<A> Top view



(3) If the wall height (H) of the front, rear or side exceeds the wall height restriction

 Side view



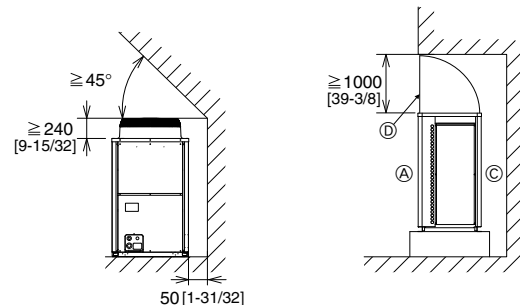
(Unit: mm [in])

- When the height of the walls on the front, back or on the sides <H> exceeds the wall height limit as defined here, add the height that exceeds the height limit <h> to the figures that are marked with an asterisk (*).

<Wall height limit> Front: Up to the unit height
Back: Up to 500mm [19-11/16 in] from the unit bottom
Side: Up to the unit height

(4) If there are obstacles at the upper part of the unit

<C> When there is little space up to an obstruction

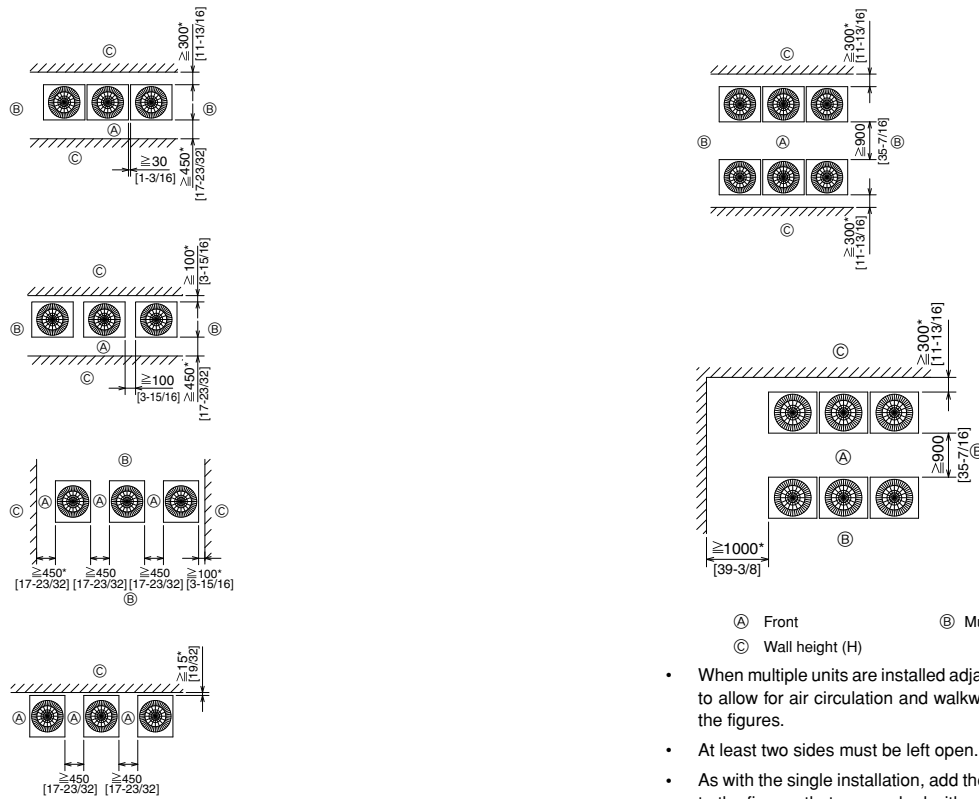


- A Front
- B Unit height
- C Back
- D Air outlet guide (field-supplied)

② In case of collective installation and continuous installation

[Fig. 6.0.2]

(Unit: mm [in])



- (A) Front
 - (B) Must be open
 - (C) Wall height (H)
- When multiple units are installed adjacent to each other, secure enough space to allow for air circulation and walkway between groups of units as shown in the figures.
 - At least two sides must be left open.
 - As with the single installation, add the height that exceeds the height limit h to the figures that are marked with an asterisk (*).
 - If there is a wall at both the front and the rear of the unit, install up to six units consecutively in the side direction and provide a space of 1000 mm or more as inlet space/passage space for each six units.

GB

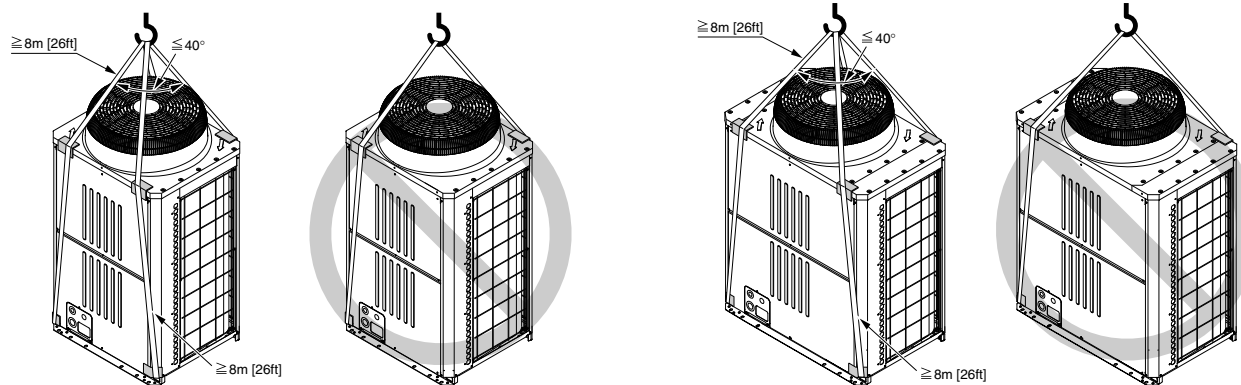
7. Transporting the unit

[Fig. 7.0.1]

① P72

② P96

(Unit: m [ft])



- Use suspension ropes that will withstand the weight of the unit.
- When moving the unit, use a **4-point suspension**, and avoid giving impacts to the unit (Do not use **2-point suspension**).
- Place protective pads on the unit where it comes in contact with the ropes to protect the unit from being scratched.
- Set the angle of roping at 40° or less.
- Use 2 ropes that are each longer than 8 m [26ft].
- Place protective padding at the corners of the product to protect the product from scratches or dents that might be caused by the rope.

⚠ Caution:

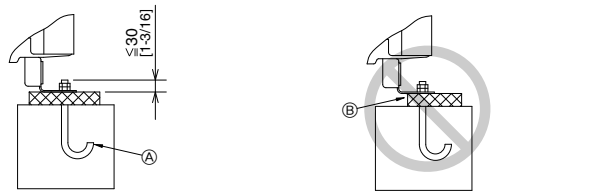
Be very careful when carrying/moving the product.

- When installing the outdoor unit, suspend the unit at the specified location of the unit base. Stabilize as necessary so that it does not move to the side and support it at 4 points. If the unit is installed or suspended with 3-point support, the unit may become unstable and fall.

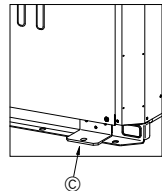
8. Installation of unit

8.1. Installation

[Fig. 8.1.1]



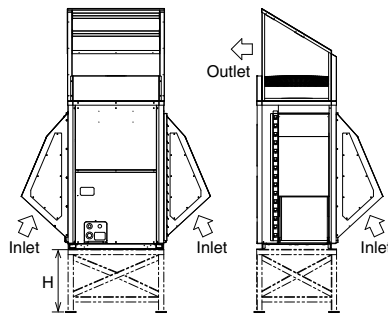
(Unit: mm [in])



- Ⓐ Field-supplied M10 anchor bolt
- Ⓑ Corner is not seated.
- Ⓒ Fixing bracket for the hole-in anchor bolt (3 locations to fix with screws)

- Fix unit tightly with bolts so that unit will not fall down due to earthquakes or strong winds.
- Use concrete base or an angle bracket as the foundation of unit.
- Vibration may be transmitted to the installation section and noise and vibration may be generated from the floor and walls, depending on the installation conditions. Therefore, provide ample vibrationproofing (cushion pads, cushion frame, etc.).
- Build the foundation in such way that the corner of the installation leg is securely supported as shown in the left figure. (Fig. 8.1.1)
When using a rubber isolating cushion, please ensure it is large enough to cover the entire width of each of the unit's legs. If the corners are not firmly seated, the installation feet may be bent.
- When using cushion pads, be sure that the full width of the unit is covered.
- The projecting length of the anchor bolt should be less than 30 mm [1-3/16 in].
- Post-installed anchor bolts (i.e., bolts not firmly cemented into the base) are not compatible with this product unless fixing brackets are first mounted on the four locations.

[Fig. 8.1.2]



- In abnormally harsh environments such as clod and/or windy areas, sufficient countermeasures to guard against excessive wind and snow should be taken to ensure the unit's correct operation. When the unit is expected to operate in cooling mode in conditions under 10°C [50°F], in snowy areas, in environments subject to strong winds or rain, install air inlet and outlet ducting as shown in [Fig. 8.1.2].

Note:

1. Height of frame base for snow damage prevention (H) shall be twice as high as expected snowfall. Width of frame base shall not exceed that of the unit. The frame base shall be made of angle steel, etc., and designed so that snow and wind slip through the structure. (If frame base is too wide, snow will be accumulated on it.)
2. Install unit so that wind will not directly lash against openings of inlet and outlet ducts.
3. Build frame base at customer referring to this figure.
Material : Galvanized steel plate 1.2T
Painting : Overall painting with polyester powder
Color : Munsell 5Y8/1 (same as that of unit)
4. When the unit is used in a cold region and the heating operation is continuously performed for a long time when the outside air temperature is below freezing, install a heater to the unit base or take other appropriate measures to prevent water from freezing on the base.

⚠ Warning:

- **Be sure to install unit in a place strong enough to withstand its weight. Any lack of strength may cause unit to fall down, resulting in a personal injury.**
- **Have installation work in order to protect against strong winds and earthquakes. Any installation deficiency may cause unit to fall down, resulting in a personal injury.**

When building the foundation, give full attention to the floor strength, drain water disposal <during operation, drain water flows out of the unit>, and piping and wiring routes.

Precautions when routing the pipes and wires below the unit

When routing the pipes and wires below the unit, be sure that the foundation and base work do not block the base through-holes. Also make sure the foundation is at least 100 mm [3-15/16 in] high so that the piping can pass under the unit.

9. Refrigerant piping installation

The pipe is connected via a terminal-branch type connection in which refrigerant piping from the outdoor unit is branched at the terminal and is connected to each of the indoor units.

The method of pipe connection is as follows: flare connection for the indoor units, gas pipes and liquid pipes for outdoor units, brazed connection. Note that the branched sections are brazed.

⚠ Warning:

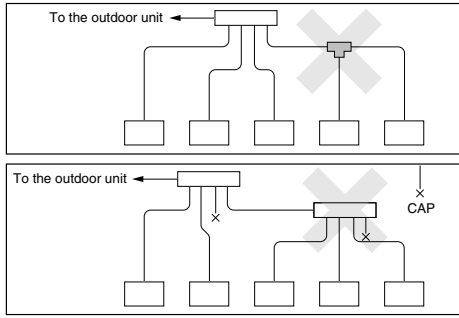
Always use extreme care to prevent the refrigerant gas from leaking while using fire or flame. If the refrigerant gas comes in to contact with a flame from any source, such as a gas stove, it breaks down and generates a poisonous gas which can cause gas poisoning. Never weld in an unventilated room. Always conduct an inspection for gas leakage after installation of the refrigerant piping has been completed.

9.1. Caution

This unit uses refrigerant R410A. Follow the local regulations on materials and pipe thickness when selecting pipes. (Refer to the table on page 7.)

- ① Use the following materials for refrigeration piping.
 - Material: Use copper alloy seamless pipes made of phosphorus deoxidized copper. Ensure the inner and outer surfaces of the pipes are clean and free from hazardous sulfur, oxide, dusts, shaving particles, oils, and moisture (contamination).
 - Size: Refer to item 9.2. for detailed information on refrigerant piping system.
- ② Always observe the restrictions on the refrigerant piping (such as rated length, height difference, and piping diameter) to prevent equipment failure or a decline in heating/cooling performance.

- ③ Branching cannot be made after header branching (corresponding parts are marked with X in the diagram below).



- ④ **Do not install outdoor unit piping when it is raining.**
 ⑤ Commercially available piping often contains dust and other materials. Always blow it clean with a dry inert gas.
 ⑥ Use care to prevent dust, water or other contaminants from entering the piping during installation.
 ⑦ Reduce the number of bending portions as much as possible, and make bending radius as big as possible.
 ⑧ For indoor and outdoor branching, be sure to use the following twinning pipe sets in the table 1 (sold separately).
 ⑨ Use an adapter if a specified refrigerant pipe has a different diameter from that of a branching pipe.

- ⑩ **Braze only with non-oxide brazing material for piping. Failure to do so may damage the compressor. Be sure to perform the non-oxidation brazing with a nitrogen purge.**
Do not use any commercially available anti-oxidizing agent since it may cause pipe corrosion and degrading of the refrigerant oil.
Please contact Mitsubishi Electric for more details.
 (Refer to item 10.2. for details of the piping connection and valve operation)
 ⑪ Always insulate the piping properly. Insufficient insulation will result in a decline in heating/cooling performance, water drops from condensation forming and other such problems. (Refer to item 10.4 for thermal insulation of refrigerant piping.)
 ⑫ When connecting the refrigerant piping, make sure the valve of the outdoor unit is completely closed (the factory setting). Do not operate it until the refrigerant piping for the outdoor and indoor units has been connected, a refrigerant leakage test has been performed, and the evacuation process has been completed.
 ⑬ **Never use refrigerant to perform an air purge.** Always evacuate using a vacuum pump.
 ⑭ **Be sure to charge the system using liquid refrigerant.**
 ⑮ Either a lack or an excess of refrigerant causes the unit to make an emergency stop. Charge the system with an appropriate amount of refrigerant. When servicing, always check the notes concerning pipe length and amount of additional refrigerant at both locations, the refrigerant volume calculation table on the back of the service panel and the additional refrigerant section on the labels for the combined number of indoor units. (Refer to item 9.2. for detailed information on refrigerant piping system.)

<Table 1>

Indoor twinning pipe set model							Outdoor Twinning Kit model
Line branch			Header branch				
Downstream indoor unit capacity Less than 72 in total	Downstream indoor unit capacity More than 73 and less than 144 in total	Downstream indoor unit capacity More than 145 and less than 288 in total	4 branches	8 branches	10 branches	Total outdoor model P144 ~ P192	
CMY-Y102S-G2	CMY-Y102L-G2	CMY-Y202-G2	CMY-Y104-G	CMY-Y108-G	CMY-Y1010-G	CMY-Y100VBK2	

Warning:
When installing and moving the unit, do not charge the system with any other refrigerant other than the refrigerant specified on the unit.
 - Mixing of a different refrigerant, air, etc. may cause the refrigerant cycle to malfunction and may result in severe damage.

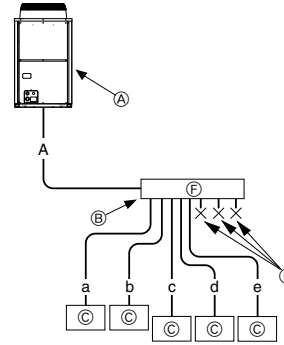
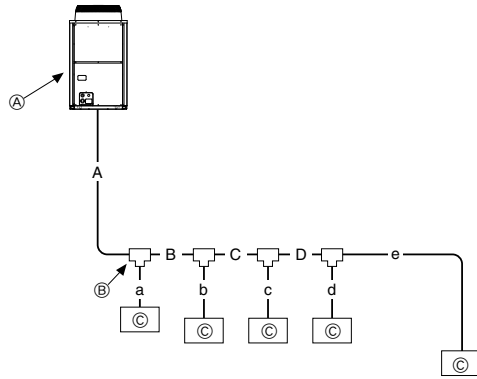
- Caution:**
- **Use a vacuum pump with a reverse flow check valve.**
 - If the vacuum pump does not have a reverse flow check valve, the vacuum pump oil may flow back into the refrigerant cycle and cause deterioration of the refrigerant oil.
 - **Do not use the tools shown below used with conventional refrigerant. (Gauge manifold, charge hose, gas leak detector, check valve, refrigerant charge base, vacuum gauge, refrigerant recovery equipment)**
 - Mixing of conventional refrigerant and refrigerant oil may cause the refrigerant oil to deteriorate.
 - Mixing of water will cause the refrigerant oil to deteriorate.
 - R410A refrigerant does not contain any chlorine. Therefore, gas leak detectors for conventional refrigerants will not react to it.
 - **Manage the tools used for R410A more carefully than normal.**
 - If dust, dirt, or water gets in the refrigerant cycle, the refrigerant oil will deteriorate.
 - **Never use existing refrigerant piping.**
 - The large amount of chlorine in conventional refrigerant and refrigerant oil in the existing piping will cause the new refrigerant to deteriorate.
 - **Store the piping to be used during installation indoors and keep both ends of the piping sealed until just before brazing.**
 - If dust, dirt, or water gets into the refrigerant cycle, the oil will deteriorate and the compressor may fail.
 - **Do not use a charging cylinder.**
 - Using a charging cylinder may cause the refrigerant to deteriorate.
 - **Do not use special detergents for washing piping.**

9.2. Refrigerant piping system

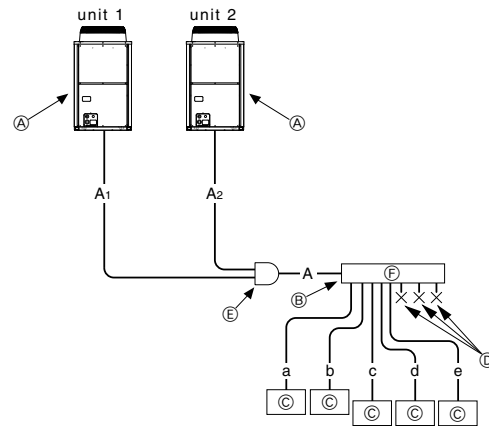
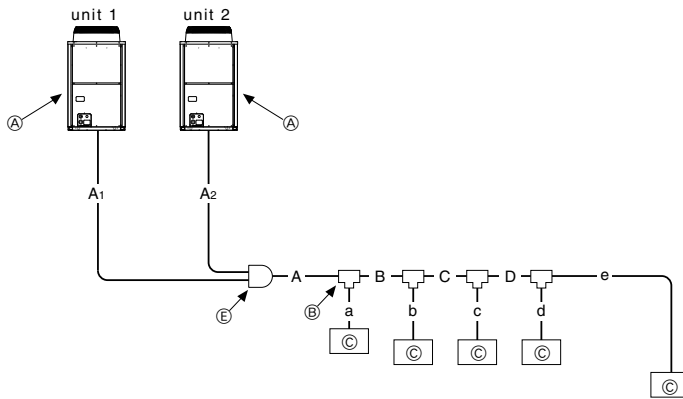
Connection Example

[Fig. 9.2.1]

[Outdoor model : P72 ~ P96]



[Outdoor model : P144 ~ P192]



- (A) Outdoor unit
 - (B) 1st branch
 - (C) Indoor unit
 - (D) Cap
 - (E) Outdoor Twinning Kit
 - (F) Header
- * The total length of A1 and A2 is less than 10 m [32 ft].

A

(Unit: mm [in])

Outdoor model	Unit combination		A		A1		A2	
	unit 1	unit 2	Liquid pipe	Gas pipe	Liquid pipe	Gas pipe	Liquid pipe	Gas pipe
P72	-	-	ø12.7 [1/2]	ø19.05 [3/4]	-	-	-	-
P96	-	-	ø12.7 [1/2]	ø22.2 [7/8]	-	-	-	-
P144	P72	P72	ø15.88 [5/8]	ø28.58 [1-1/8]	ø12.7 [1/2]	ø19.05 [3/4]	ø12.7 [1/2]	ø19.05 [3/4]
P192	P96	P96	ø15.88 [5/8]	ø28.58 [1-1/8]	ø12.7 [1/2]	ø22.2 [7/8]	ø12.7 [1/2]	ø22.2 [7/8]

B, C, D

(Unit: mm [in])

Total capacity of indoor units	Liquid pipe	Gas pipe
~ 54	ø9.52 [3/8]	ø15.88 [5/8]
55 ~ 72	ø9.52 [3/8]	ø19.05 [3/4]
73 ~ 108	ø9.52 [3/8]	ø22.2 [7/8]
109 ~ 144	ø12.7 [1/2]	ø28.58 [1-1/8]
145 ~ 234	ø15.88 [5/8]	ø28.58 [1-1/8]

Downstream unit model total	Joint
~ 72	CMY-Y102S-G2
73 ~ 144	CMY-Y102L-G2
145 ~ 234	CMY-Y202-G2
The 1st branch of P144 ~ P234	

a, b, c, d, e

(Unit: mm [in])

Model number	Liquid pipe	Gas pipe
06, 08, 12, 15, 18	ø6.35 [1/4]	ø12.7 [1/2]
24, 27, 30, 36, 48, 54	ø9.52 [3/8]	ø15.88 [5/8]
72	ø9.52 [3/8]	ø19.05 [3/4]
96	ø9.52 [3/8]	ø22.2 [7/8]

4-Branch header (Downstream indoor unit model total ≤ 72)	8-Branch header (Downstream indoor unit model total ≤ 144)	10-Branch header (Downstream indoor unit model total ≤ 234)
CMY-Y104-G	CMY-Y108-G	CMY-Y1010-G

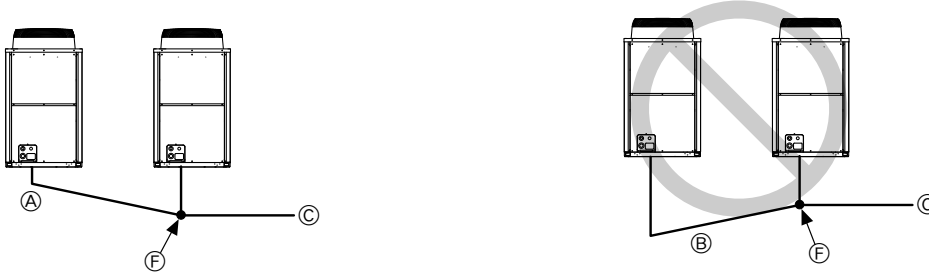
Outdoor model	Outdoor Twinning Kit
P144 ~ P192	CMY-Y100VBK2

Precautions for outdoor unit combinations

Refer to [Fig. 9.2.2] for the positioning of twinning pipes.

[Fig. 9.2.2]

<A> Make sure the pipes from the twinning pipe to the outdoor unit are sloped downwards (towards the twinning pipes).



 When the piping on the outdoor unit side (from the twinning pipe) exceeds 2 m [6 ft], ensure a trap (gas pipe only) within 2 m [6 ft].

Make sure the height of the trap is 200 mm [7-7/8 in] or more.

If there is no trap, oil can accumulate inside the pipe, causing a shortage of oil and may damage the compressor.

(Unit: m [ft])



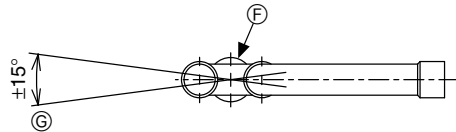
⚠ Caution:

- Do not install traps other than the ones between outdoor units described on a separate sheet to prevent oil backflow and compressor start-up failure.
 - Do not install solenoid valves to prevent oil backflow and compressor start-up failure.
 - Do not install a sight glass because it may show improper refrigerant flow.
- If a sight glass is installed, inexperienced technicians that use the glass may overcharge the refrigerant.

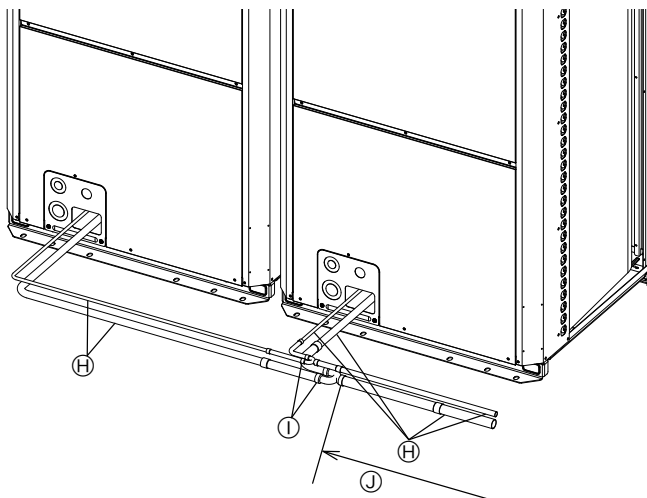
<C> Slope of twinning pipes

Make sure the slope of the twinning pipes are at an angle within $\pm 15^\circ$ to the ground.

If the slope exceeds the specified angle, the unit may be damaged.



<D> Pipe connection example



- | | | | | |
|------------------|---|--------------|------------------------|---------------------|
| Ⓐ Downward slope | Ⓑ Upward slope | Ⓒ 1st branch | Ⓓ Trap (gas pipe only) | Ⓔ Within 2 m [6 ft] |
| Ⓕ Twinning pipe | Ⓖ Slope of the twinning pipes are at an angle within $\pm 15^\circ$ to the ground | | | Ⓗ Pipes on site |
| Ⓖ Twinning Kit | Ⓙ Straight run of pipe that is 500 mm [19-11/16 in] or more | | | |

10. Additional refrigerant charge

At the time of shipping, the outdoor unit is charged with refrigerant. This charge does not include the amount needed for extended piping and additional charging of each refrigerant line will be required on site. In order that future servicing may be properly provided, always keep a record of the size and length of each refrigerant line and the amount of additional charge by writing it in the space provided on the outdoor unit.

10.1. Calculation of additional refrigerant charge

- Calculate the amount of additional charge based on the length of the piping extension and the size of the refrigerant line.
- Use the table below as a guide for calculating the amount of additional charging and then charge the system accordingly.
- If the calculation results in a fraction of less than 0.1 kg [4 oz], round up to the next 0.1 kg [4 oz]. For example, if the result of the calculation was 12.38 kg [437 oz], round the result up to 12.4 kg [438 oz].

<Additional Charge>

Additional refrigerant charge (kg) [oz]	Liquid pipe size Total length of ø19.05 mm [3/4 in]	Liquid pipe size Total length of ø15.88 mm [5/8 in]	Liquid pipe size Total length of ø12.7 mm [1/2 in]	+ α
	(m) × 0.29 (kg/m) (ft) × 3.12 (oz/ft)	(m) × 0.2 (kg/m) (ft) × 2.16 (oz/ft)	(m) × 0.12 (kg/m) (ft) × 1.30 (oz/ft)	
	Liquid pipe size Total length of ø9.52 mm [3/8 in]	Liquid pipe size Total length of ø6.35 mm [1/4 in]		
	(m) × 0.06 (kg/m) (ft) × 0.65 (oz/ft)	(m) × 0.024 (kg/m) (ft) × 0.26 (oz/ft)		

<Example>

Indoor

1: 48 A: ø12.7 mm [1/2 in] 40 m [131 ft] a: ø9.52 mm [3/8 in] 10 m [32 ft]
 2: 36 B: ø9.52 mm [3/8 in] 10 m [32 ft] b: ø9.52 mm [3/8 in] 5 m [16 ft]
 3: 15 C: ø9.52 mm [3/8 in] 15 m [49 ft] c: ø6.35 mm [1/4 in] 10 m [32 ft]
 4: 12 D: ø9.52 mm [3/8 in] 10 m [32 ft] d: ø6.35 mm [1/4 in] 10 m [32 ft]
 5: 24 e: ø9.52 mm [3/8 in] 10 m [32 ft]

At the conditions below:

The total length of each liquid line is as follows:

ø12.7 mm [1/2 in]: A = 40 m [131 ft] = 40 m [131 ft]
 ø9.52 mm [3/8 in]: B + C + D + a + b + e
 = 10 m [32 ft] + 15 m [49 ft] + 10 m [32 ft] + 10 m [32 ft] + 5 m [16 ft] + 10 m [32 ft] = 60 m [193 ft]
 ø6.35 mm [1/4 in]: c + d = 10 m [32 ft] + 10 m [32 ft] = 20 m [64 ft]

Therefore,

<Calculation example>

Additional refrigerant charge
 = 40 m [131 ft] × 0.12 kg/m [1.30 oz/ft] + 60 m [193 ft] × 0.06 kg/m [0.65 oz/ft]
 + 20 m [64 ft] × 0.024 kg/m [0.26 oz/ft] + 3.5 kg [124 oz] = 12.4 kg [438 oz]

Value of α

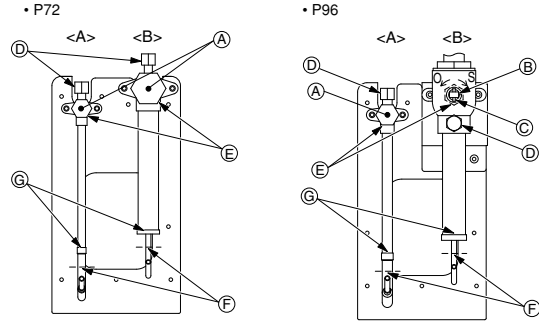
Total capacity of connecting indoor units	α
Models ~ 27	2.0 kg [71 oz]
Models 28 ~ 54	2.5 kg [89 oz]
Models 55 ~ 126	3.0 kg [106 oz]
Models 127 ~ 144	3.5 kg [124 oz]
Models 145 ~ 180	4.5 kg [160 oz]
Models 181 ~ 234	5.0 kg [177 oz]
Models 235 ~	6.0 kg [212 oz]

10.2. Precautions concerning piping connection and valve operation

- Conduct piping connection and valve operation accurately and carefully.
- Removing the pinched connecting pipe**
 When shipped, a pinched connecting pipe is attached to the on-site liquid and gas valves to prevent gas leakage. Take the following steps ① through ④ to remove the pinched connecting pipe before connecting refrigerant pipes to the outdoor unit.
 - Check that the refrigerant service valve is fully closed (turned clockwise all the way).
 - Connect a charging hose to the service port on the liquid/gas refrigerant service valve, and extract the gas in the pipe section between the refrigerant service valve and the pinched connecting pipe.

- After vacuuming gas from the pinched connecting pipe, sever the pinched connecting pipe at the location shown in [Fig.10.2.1] and drain the refrigerant.
- After completing ② and ③ heat the brazed section to remove the pinched connecting pipe.

[Fig. 10.2.1]



<A> Refrigerant service valve (liquid side/brazed type)

 Refrigerant service valve (gas side/brazed type)

A Shaft

Fully closed at the factory, when connecting the piping, and when vacuuming. Open fully after these operations are completed.

<When opening>

- Turn the shaft counterclockwise with a hexagonal wrench.
- Turn around the shaft until it stops.

<When closing>

- Turn the shaft clockwise with a hexagonal wrench.
- Turn around the shaft until it stops.

B Shaft

Fully closed at the factory, when connecting the piping, and when vacuuming. Open fully after these operations are completed.

<When opening>

- Turn the shaft counterclockwise.
- Turn around the shaft until it stops.

<When closing>

- Turn the shaft clockwise.
- Turn around the shaft until it stops.

C Stopper pin

Prevents the shaft from turning 90° or more.

D Service port

Available for gas venting of the pinched connecting pipe, or vacuuming in the refrigerant pipes on the site.

E Cap

Remove the cap before operating the shaft. Be sure to return it to the original position after completing the operation.

F Pinched connecting pipe severing portion

G Pinched connecting pipe brazing portion

Warning:

- The sections between the refrigerant service valves and the pinched connecting pipes are filled with gas and refrigerant oil. Extract the gas and refrigerant oil in the above-mentioned pipe section before heating the brazed section to remove the refrigerant service valve pinched connecting pipe.
 - If the brazed section is heated without first extracting the gas and refrigerant oil, the pipe may burst or the pinched connecting pipe may blow off and ignite the refrigerant oil, causing serious injury.

Caution:

- Place a wet towel on the refrigerant service valve before heating the brazed section to keep the temperature of the valve from exceeding 120 °C [248 °F].
- Direct the flame away from the wiring and metal sheets inside the unit to prevent heat damage.

⚠ Caution:

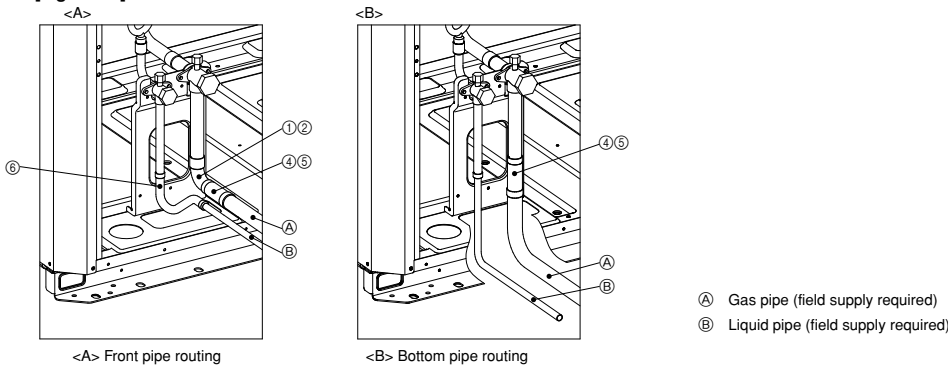
- Do not vent R410A into the atmosphere.

Refrigerant pipe connection

This product needs connecting pipes for front piping and bottom post-piping (sold separately). (Refer to [Fig.10.2.2])
 Check the liquid/gas piping dimensions before connecting the refrigerant pipe.
 Refer to item 9.2 Refrigerant piping system for piping dimensions.
 Make sure that the refrigerant pipe is not touching other refrigerants pipes, unit panels, or base plates.
 Be sure to use non-oxidative brazing when connecting pipes.
 Be careful not to burn the wiring and plate when brazing.

<Refrigerant piping connection examples>

[Fig.10.2.2]



<Front piping and bottom post-piping> (sold separately)

(Unit: mm [in])

No.	①	②	③	④	⑤	⑥
Shape						
	<gas side>	<gas side>	<liquid side>	<gas side>	<gas side>	<liquid side>
P72 (CMY-HYS100UEB)	1pc.	1pc.	1pc.	1pc.	1pc.	1pc.
P96 (CMY-YS300UEB)						

Front pipe routing

Liquid side	P72,P96	Use the included connecting pipe ⑥ to connect.
Gas side	P72	Use the included elbow ① and connecting pipe ④ to connect.
	P96	Use the included elbow ② and connecting pipe ⑤ to connect.

Bottom pipe routing

Liquid side	P72,P96	Expand the liquid side on-site piping (ID ø12.7 mm [1/2 in]) and connect to the refrigerant service valve piping.
Gas side	P72	Use the included connecting pipe ④ to connect.
	P96	Use the included connecting pipe ⑤ to connect.

Satisfy the minimum insertion depth in the table below when expanding on-site piping

Pipe diameter (mm [in])	Minimum insertion depth (mm [in])
5 [7/32] or more, less than 8 [11/32]	6 [1/4]
8 [11/32] or more, less than 12 [1/2]	7 [9/32]
12 [1/2] or more, less than 16 [21/32]	8 [11/32]
16 [21/32] or more, less than 25 [1]	10 [13/32]
25 [1] or more, less than 35 [1-13/32]	12 [1/2]
35 [1-13/32] or more, less than 45 [1-25/32]	14 [9/16]

- After evacuation and refrigerant charging, ensure that the handle is fully open. If operating with the valve closed, abnormal pressure will be imparted to the high- or low-pressure side of the refrigerant circuit, giving damage to the compressor, four-way valve, etc.
- Determine the amount of additional refrigerant charge by using the formula, and charge refrigerant additionally through the service port after completing piping connection work.
- After completing work, tighten the service port and cap securely so as not to generate any gas leakage. (Refer to the table on the below for appropriate tightening torque.)

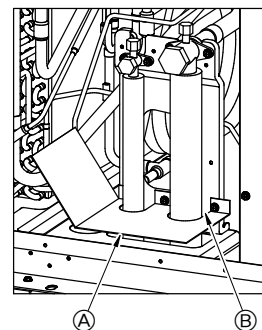
Appropriate tightening torque:

Outer diameter of copper pipe (mm [in])	Cap (N·m/kg·cm)	Shaft (N·m/kg·cm)	Size of hexagonal wrench (mm)	Service port (N·m/kg·cm)
ø9.52 [3/8]	15/150	6/60	4	12/120
ø12.7 [1/2]	20/200	9/90	4	
ø15.88 [5/8]	25/250	15/150	6	
ø19.05 [3/4]	25/250	30/300	6	
ø25.4 [1]	25/250	30/300	10	
ø28.58 [1-1/8]	25/250	-	-	16/160

⚠ Caution:

- Keep the valve closed until refrigerant charging to the pipes to be added on site has been completed. Opening the valve before charging the refrigerant may cause damage to the unit.
- Do not use a leak detection additive.

[Fig. 10.2.3]



Make sure to seal-off the space around areas where the wires and refrigerant pipes enter the unit to ensure that small animals, rainwater, or snow cannot enter the unit through such openings and cause damage to the unit.

⚠ Caution:

Make sure to seal-off the openings for the pipe and wire retrieval.

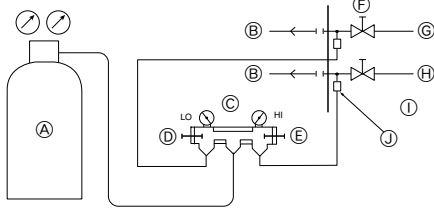
- Small animals, rainwater, or snow entering through the openings may cause damage to the device.

10.3. Airtight test, evacuation, and refrigerant charging

① Airtight test

Perform with the valve of the outdoor unit closed, and pressurize the connection piping and the indoor unit from the service port provided on the valve of the outdoor unit. (Always pressurize from both the liquid pipe and the gas pipe service ports.)

[Fig. 10.3.1]



- Ⓐ Nitrogen gas
- Ⓑ To indoor unit
- Ⓒ System analyzer
- Ⓓ Lo knob
- Ⓔ Hi knob
- Ⓕ Valve
- Ⓔ Liquid pipe
- Ⓖ Gas pipe
- Ⓖ Outdoor unit
- Ⓙ Service port

Observe the following restrictions when conducting an air tightness test to prevent negative effects on the refrigerating machine oil. Also, with nonazeotropic refrigerant (R410A), gas leakage causes the composition to change and affects performance. Therefore, perform the airtightness test cautiously.

Airtight test procedure	Restriction
<p>(1) After pressurizing to the design pressure (4.15 MPa [602 psi]) using nitrogen gas, allow it to stand for about one day. If the pressure does not drop, airtightness is good. However, if the pressure drops, since the leaking point is unknown, the following bubble test may also be performed.</p> <p>(2) After the pressurization described above, spray the flare connection parts, brazed parts, and other parts that may leak with a bubbling agent (Gupoflex, etc.) and visually check for bubbles.</p> <p>(3) After the airtight test, wipe off the bubbling agent.</p>	<ul style="list-style-type: none"> • If a flammable gas or air (oxygen) is used as the pressurization gas, it may catch fire or explode.

GB

⚠ Caution:

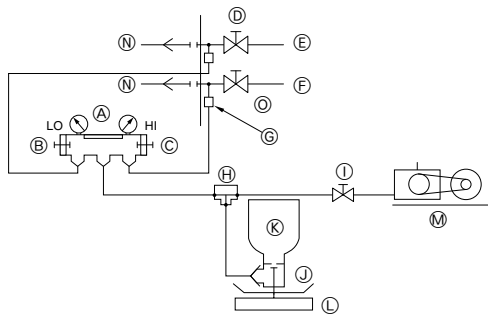
Only use refrigerant R410A.

- The use of other refrigerant such as R22 or R407C, which contains chlorine, will deteriorate the refrigerating machine oil or cause the compressor to malfunction.

② Evacuation

Evacuate with the valve of the outdoor unit closed and evacuate both the connection piping and the indoor unit from the service port provided on the valve of the outdoor unit using a vacuum pump. (Always evacuate from the service port of both liquid pipe and gas pipe.) After the vacuum reaches 650 Pa [abs] [0.0943 psi/5 Torr], continue evacuation for at least one hour or more. Then, stop the vacuum pump and leave it for 1 hour. Ensure the degree of vacuum has not increased. **(If the degree of vacuum increase is larger than 130 Pa [0.01886 psi/1.0 Torr], water might have entered. Apply pressure to dry nitrogen gas up to 0.05 MPa [7.25 psi] and vacuum again.)** Finally, seal in with the liquid refrigerant through the liquid pipe, and adjust the gas piping to obtain an appropriate amount of the refrigerant during operation. * Never perform air purging using refrigerant.

[Fig. 10.3.2]



- Ⓐ System analyzer
- Ⓑ Lo knob
- Ⓒ Hi knob
- Ⓓ Valve
- Ⓔ Liquid pipe
- Ⓕ Gas pipe
- Ⓖ Service port
- Ⓖ Three-way joint
- Ⓖ Valve
- Ⓙ R410A cylinder
- Ⓖ Scale
- Ⓜ Vacuum pump
- Ⓝ To indoor unit
- Ⓝ Outdoor unit

Note:

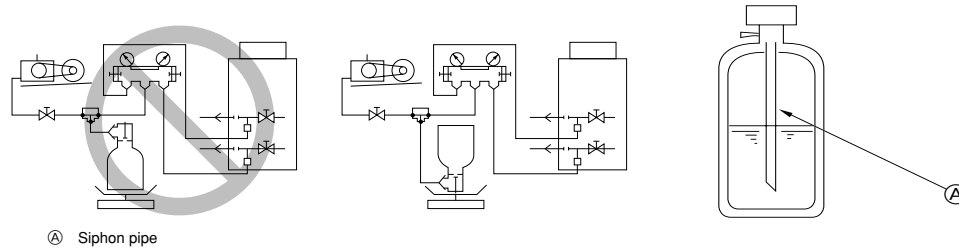
- Always add an appropriate amount of refrigerant. Also always charge the system with liquid refrigerant.
 - Use a gauge manifold, charging hose, and other parts for the refrigerant indicated on the unit.
 - Use a gravimeter. (One that can measure down to 0.1 kg [3 oz].)
 - Use a vacuum pump with a reverse flow check valve.
- (Recommended vacuum gauge: ROBINAIR 14830A Thermistor Vacuum Gauge)
 Also use a vacuum gauge that reaches 65 Pa [abs] [0.00943 psi/0.5 Torr] or below after operating for five minutes.

③ Refrigerant Charging

Since the refrigerant used with the unit is nonazeotropic, it must be charged in the liquid state. Consequently, when charging the unit with refrigerant from a cylinder, if the cylinder does not have a siphon pipe, charge the liquid refrigerant by turning the cylinder upside-down as shown in Fig.10.3.3. If the cylinder has a siphon pipe like that shown on the right of Fig.10.3.3, the liquid refrigerant can be charged with the cylinder standing upright. Therefore, give careful attention to the cylinder specifications. If the unit should be charged with gas refrigerant, replace all the refrigerant with new refrigerant. Do not use the refrigerant remaining in the cylinder.

[Fig. 10.3.3]

<If the cylinder does not have a siphon pipe, charge with the refrigerant cylinder upside-down.>

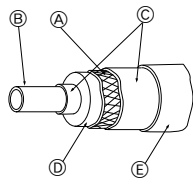


- Ⓐ Siphon pipe

10.4. Thermal insulation of refrigerant piping

Be sure to add insulation work to refrigerant piping by covering liquid pipe and gas pipe separately with enough thickness heat-resistant polyethylene, so that no gap is observed in the joint between indoor unit and insulating material, and insulating materials themselves. When insulation work is insufficient, there is a possibility of condensation drip, etc. Pay special attention to insulation work in the ceiling plenum.

[Fig. 10.4.1]



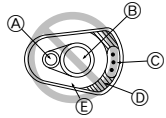
- A Steel wire
- B Piping
- C Oily mastic asphalt or asphalt
- D Heat insulation material A
- E Outer covering B

Heat insulation material A	Glass fiber + Steel wire	
	Adhesive + Heat - resistant polyethylene foam + Adhesive tape	
Outer covering B	Indoor	Vinyl tape
	Floor exposed	Water-proof hemp cloth + Bronze asphalt
	Outdoor	Water-proof hemp cloth + Zinc plate + Oily paint

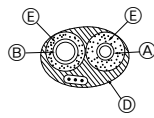
Note:

- When using polyethylene cover as covering material, asphalt roofing shall not be required.
- No heat insulation must be provided for electric wires.

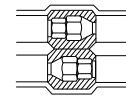
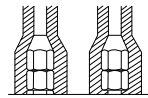
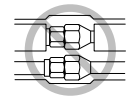
[Fig. 10.4.2]



- A Liquid pipe
- B Gas pipe
- C Electric wire
- D Finishing tape
- E Insulator



[Fig. 10.4.3]

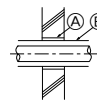


Penetrations

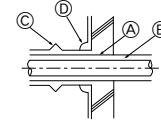
[Fig. 10.4.4]

(Unit: mm [in])

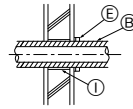
<A> Inner wall (concealed)



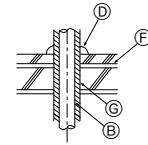
 Outer wall



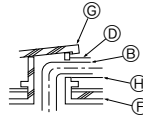
<C> Outer wall (exposed)



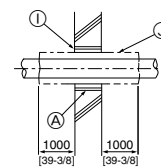
<D> Floor (waterproofing)



<E> Roof pipe shaft



<F> Penetrating portion on fire limit and boundary wall



- A Sleeve
- B Heat insulating material
- C Lagging
- D Caulking material
- E Band
- F Waterproofing layer
- G Sleeve with edge
- H Lagging material
- I Mortar or other incombustible caulking
- J Incombustible heat insulation material

When filling a gap with mortar, cover the penetration part with steel plate so that the insulation material will not be caved in. For this part, use incombustible materials for both insulation and covering. (Vinyl covering should not be used.)

- Insulation materials for the pipes to be added on site must meet the following specifications:

	Pipe size	
	ø6.35 to 25.4 mm [1/4 to 1 in]	ø28.58 to 41.28 mm [1-1/8 to 1-21/32 in]
Thickness	10 mm min. [13/32 in min.]	15 mm min. [19/32 in min.]
Temperature Resistance	100°C min. [212°F min.]	

* Installation of pipes in a high-temperature high-humidity environment, such as the top floor of a building, may require the use of insulation materials thicker than the ones specified in the chart above.

* When certain specifications presented by the client must be met, ensure that they also meet the specifications on the chart above.

GB

11. Wiring (For details, refer to the installation manual of each indoor/outdoor unit and controller.)

11.1. Caution

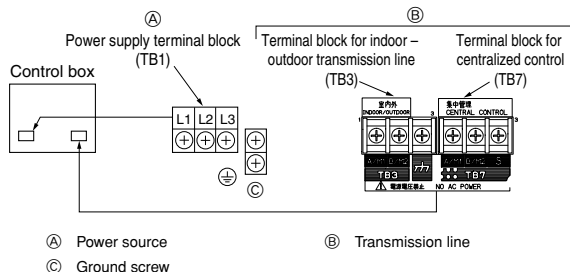
- ① Follow ordinance of your governmental organization for technical standard related to electrical equipment, wiring regulations and guidance of each electric power company.
 - ② Wiring for control (hereinafter referred to as transmission line) shall be (5 cm or more [2 in or more]) apart from power source wiring so that it is not influenced by electric noise from power source wiring. (Do not insert transmission line and power source wire in the same conduit.)
 - ③ Be sure to provide designated grounding work to the outdoor unit.
 - ④ Give some allowance to wiring for the electrical part box on the indoor and outdoor units, because these boxes are sometimes removed at the time of service work.
 - ⑤ Never connect the main power source to terminal block of transmission line. If connected, electrical parts will burn out.
 - ⑥ Use 2-core shield cable for the transmission line. If transmission lines of different systems are wired with the same multicore cable, the resultant poor transmitting and receiving will cause erroneous operations.
 - ⑦ Only the transmission line specified should be connected to the terminal block for outdoor unit transmission.
- Erroneous connection does not allow the system to operate.
- ⑧ When connecting a System Controller to outdoor units or performing a group operation of indoor units that are connected to different outdoor units, a transmission line for centralized control is required. When using a transmission line for centralized control, connect the transmission line (non-polar 2 core wire) to all TB7 terminals between all outdoor units.
 - ⑨ Grouping is set by operating the remote controller.

11.2. Control box and connecting position of wiring

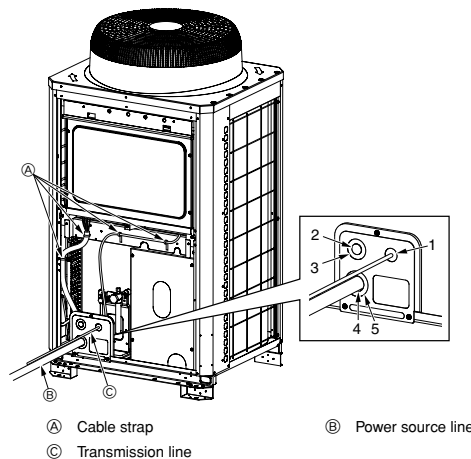
① Outdoor unit

1. Remove the front panel of the control box by removing the 4 screws and pushing it up a little before pulling it out.
2. Connect the indoor - outdoor transmission line to the terminal block (TB3) for the indoor - outdoor transmission line.
If multiple outdoor units are connected in the same refrigerant system, daisy-chain TB3 (M1, M2, ground terminal \perp) on the outdoor units. Connect the indoor - outdoor transmission line for the outdoor units to TB3 (M1, M2, ground terminal \perp) of only one of the outdoor units.
3. Connect the transmission lines for centralized control (between the centralized control system and the outdoor unit of different refrigerant systems) to the terminal block for centralized control (TB7). If the multiple outdoor units are connected to the same refrigerant system, daisy-chain TB7 (M1, M2, S Terminal) on the outdoor units in the same refrigerant system. (*1)
*1: If TB7 on the outdoor unit in the same refrigerant system is not daisy-chained, connect the transmission line for centralized control to TB7 on the OC (*2). If the OC is out of order, or if the centralized control is being conducted during the power supply shut-off, daisy-chain TB7 on the OC and OS. (In the case that the outdoor unit whose power supply connector CN41 on the control board has been replaced with CN40 is out of order or the power is shut-off, centralized control will not be conducted even when TB7 is daisy-chained.)
*2: OC and OS of the outdoor units in the same refrigerant system are automatically identified. They are identified as OC and OS in descending order of capacity. (If the capacity is the same, they will be in ascending order of their address number.)
4. In the case of indoor-outdoor transmission line, connect the shield ground to the ground terminal \perp . In the case of transmission lines for centralized control, connect it to the shield terminal (S) on the terminal block for centralized control (TB7). Furthermore, in the case of the outdoor units whose power supply connector CN41 is replaced with CN40, short circuit the shield terminal (S) and the ground terminal \perp in addition to the above.
5. Fix the connected wires securely in place with the cable strap at the bottom of the terminal block. External force applied to the terminal block may damage it and may cause a short circuit, ground fault, or a fire.

[Fig. 11.2.1]



[Fig. 11.2.2]



- When using wire size AWG 6, be sure to use knockout hole 4.
 - When using wire size AWG 4, AWG 3, AWG 2, or AWG 1, be sure to use knockout hole 2.
 - When using wire size AWG 0, AWG 0/2, or AWG 0/3, be sure to use knockout hole 5.
 - If there are any gaps around the wires, please be sure to fill these in with a suitable material.
- ### ② Conduit tube installation
- Close by hammering the knockout holes for the conduit tube located on the base and the bottom part of the front panel.
 - When installing the conduit tube directly through the knockout holes, remove the burr and protect the tube with masking tape.
 - Use the conduit tube to narrow down the opening if there is a possibility of small animal's entering the unit.

11.3. Wiring transmission cables

① Types of control cables

1. Wiring transmission cables
 - Types of transmission cables: Shielding wire CVVS, CPEVS or MVVS
 - Cable diameter: More than 1.25 mm² [AWG 16]
 - Maximum wiring length: Within 200 m [656 ft]
 - Maximum length of transmission lines for centralized control and indoor/outdoor transmission lines (Maximum length via outdoor units): 500 m [1640 ft] MAX
The maximum length of the wiring between power supply unit for transmission lines (on the transmission lines for centralized control) and each outdoor unit and system controller is 200 m [656 ft].

2. Remote control cables

• M-NET Remote Controller

Kind of remote control cable	Sheathed 2-core cable (unshielded) CVV
Cable diameter	0.3 to 1.25 mm ² [AWG 22 to 16] (0.75 to 1.25 mm ² [AWG 18 to 16])*
Remarks	When 10 m [32 ft] is exceeded, use cable with the same specifications as 1. Wiring transmission cables.

• MA Remote Controller

Kind of remote control cable	Sheathed 2-core cable (unshielded) CVV
Cable diameter	0.3 to 1.25 mm ² [AWG 22 to 16] (0.75 to 1.25 mm ² [AWG 18 to 16])*
Remarks	Within 200 m [656 ft]

* Connected with simple remote controller.

② Wiring examples

- Controller name, symbol and allowable number of controllers.

Name	Code	Possible unit connections
Outdoor unit	Main unit	OC (*2)
	Sub unit	OS (*2)
Indoor unit	Indoor unit controller	IC 1 to 32 units per 1 OC (*1)
Remote controller	Remote controller (*1)	RC 2 units maximum per group
Other	Transmission booster unit	RP 0 to 1 unit per 1 OC (*1)

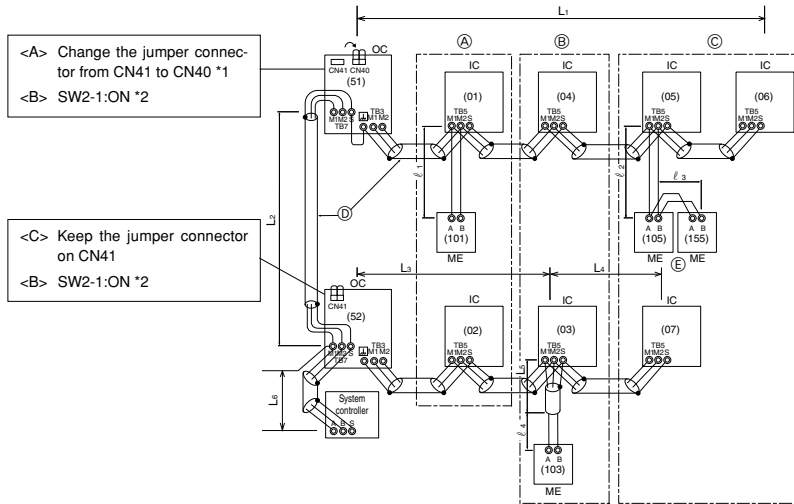
*1 A transmission booster (RP) may be required depending on the number of connected indoor unit controllers.

*2 OC and OS of the outdoor units in the same refrigerant system are automatically identified. They are identified as OC and OS in descending order of capacity. (If the capacity is the same, they will be in ascending order of their address number.)

Example of a group operation system with multiple outdoor units (Shielding wires and address setting are necessary.)

<Examples of transmission cable wiring>

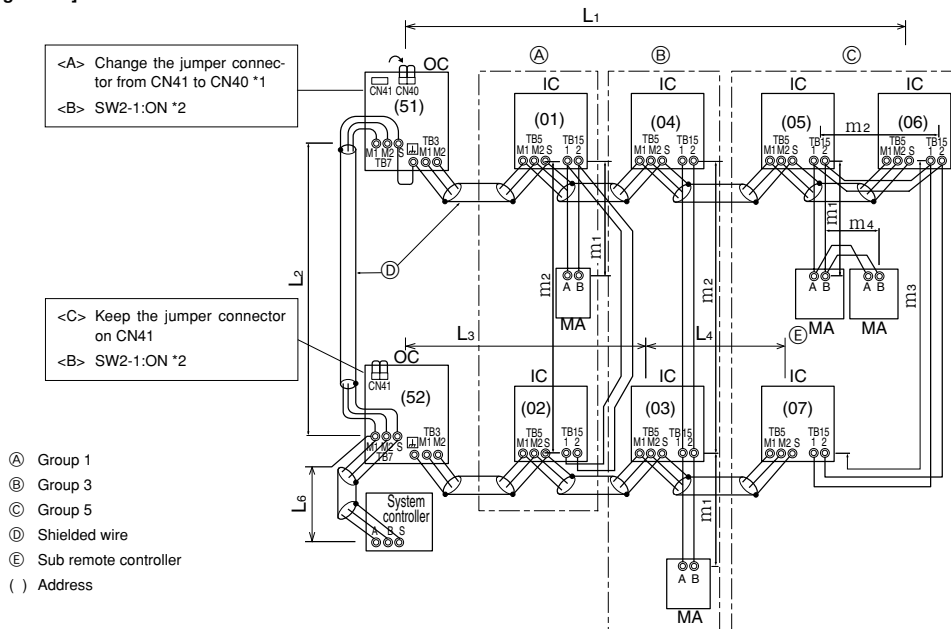
[Fig. 11.3.1] M-NET Remote Controller



*1: When the power supply unit is not connected to the transmission line for centralized control, disconnect the male power supply connector (CN41) from ONE outdoor unit in the system and connect it to CN40.

*2: If a system controller is used, set SW2-1 on all of the outdoor units to ON.

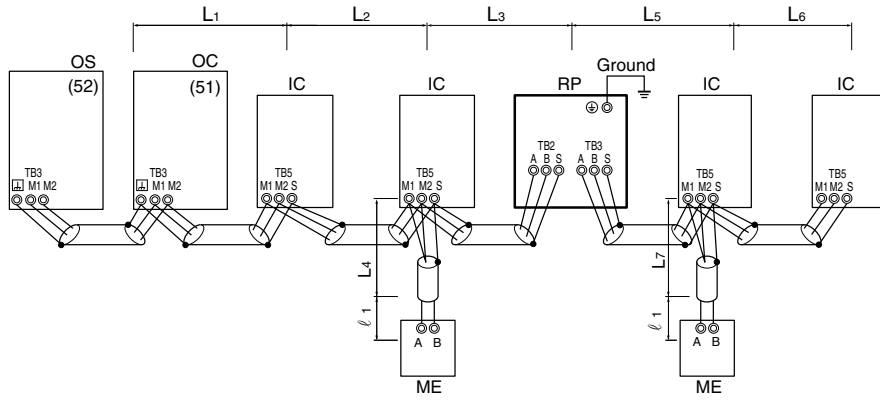
[Fig. 11.3.2] MA Remote Controller



*1: When the power supply unit is not connected to the transmission line for centralized control, disconnect the male power supply connector (CN41) from ONE outdoor unit in the system and connect it to CN40.

*2: If a system controller is used, set SW2-1 on all of the outdoor units to ON.

[Fig. 11.3.3] Combination of outdoor units and transmission booster unit



- (A) Group 1 (B) Group 3 (C) Group 5 (D) Shielded wire (E) Sub remote controller
() Address

<Wiring Method and Address Settings>

- Always use shielded wire when making connections between the outdoor unit (OC) and the indoor unit (IC), as well for all OC-OC, OC-OS and IC-IC wiring intervals.
- Use feed wiring to connect terminals M1 and M2 and the ground terminal \perp on the transmission line terminal block (TB3) of each outdoor unit (OC) to terminals M1, M2 and terminal S on the transmission line block of the indoor unit (IC). For OC and OS, connect TB3 to TB3.
- Connect terminals 1 (M1) and 2 (M2) on the transmission line terminal block of the indoor unit (IC) that has the most recent address within the same group to the terminal block on the remote controller (RC).
- Connect together terminals M1, M2 and terminal S on the terminal block for central control (TB7) for the outdoor unit in a different refrigerant system (OC). For OC and OS in the same refrigerant system, connect TB7 to TB7.
- When the power supply unit is not installed on the central control transmission line, change the jumper connector on the control board from CN41 to CN40 of only one outdoor unit in the system.
- Connect the terminal S on the terminal block for central control (TB7) for the outdoor unit (OC) for the unit into which the jumper connector was inserted into CN40 in the Step above to the ground terminal \perp in the electrical component box.
- Set the address setting switch as follows.
* To set the outdoor unit address to 100, the outdoor address setting switch must be set to 50.

Unit	Range	Setting Method
Indoor unit (Main)	01 to 50	Use the most recent address within the same group of indoor units
Indoor unit (Sub)	01 to 50	Use an address, other than that of the IC (Main) from among the units within the same group of indoor units. This must be in sequence with the IC (Main)
Outdoor Unit (OC, OS)	51 to 100	Set the addresses of the outdoor units in the same refrigerant system in the order of sequential number. OC and OS are automatically identified. (*1)
M-NET R/C (Main)	101 to 150	Set at an IC (Main) address within the same group plus 100
M-NET R/C (Sub)	151 to 200	Set at an IC (Main) address within the same group plus 150
MA R/C	-	Unnecessary address setting (Necessary main/sub setting)

- The group setting operations among the multiple indoor units is done by the remote controller (RC) after the electrical power has been turned on.
- When the centralized remote controller is connected to the system, set centralized control switches (SW2-1) on control boards in all outdoor units (OC, OS) to "ON".
*1 OC and OS of the outdoor units in the same refrigerant system are automatically identified. They are identified as OC and OS in descending order of capacity. (If the capacity is the same, they are identified in the ascending order of their address number.)

<Permissible Lengths>

① M-NET Remote controller

- Max length via outdoor units: $L_1+L_2+L_3+L_4$ and $L_1+L_2+L_3+L_5$ and $L_1+L_2+L_6 \leq 500$ m [1640 ft] (1.25 mm² [AWG 16] or more)
- Max transmission cable length: L_1 and L_3+L_4 and L_3+L_5 and L_6 and $L_2+L_6 \leq 200$ m [656 ft] (1.25 mm² [AWG 16] or more)
- Remote controller cable length: $\ell_1, \ell_2, \ell_3, \ell_4 \leq 10$ m [32 ft] (0.3 to 1.25 mm² [AWG 22 to 16])
If the length exceeds 10 m [32 ft], use a 1.25 mm² [AWG 16] shielded wire. The length of this section (L_8) should be included in the calculation of the maximum length and overall length.

② MA Remote controller

- Max length via outdoor unit (M-NET cable): $L_1+L_2+L_3+L_4$ and $L_1+L_2+L_6 \leq 500$ m [1640 ft] (1.25 mm² [AWG 16] or more)
- Max transmission cable length (M-NET cable): L_1 and L_3+L_4 and L_6 and $L_2+L_6 \leq 200$ m [656 ft] (1.25 mm² [AWG 16] or more)
- Remote controller cable length: m_1+m_2 and $m_1+m_2+m_3+m_4 \leq 200$ m [656 ft] (0.3 to 1.25 mm² [AWG 22 to 16])

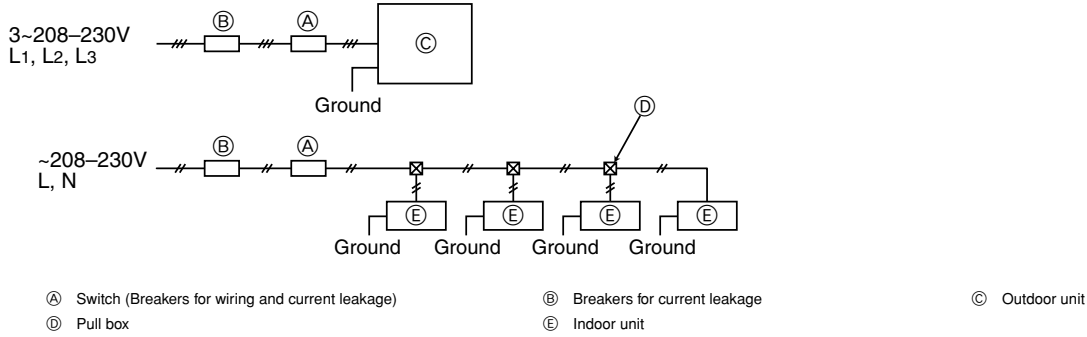
③ Transmission booster

- Max transmission cable length (M-NET cable): ① $L_1+L_2+L_3+L_5+L_6 \leq 200$ m [656 ft] (1.25 mm² [AWG 16])
② $L_1+L_2+L_3+L_5+L_7 \leq 200$ m [656 ft] (1.25 mm² [AWG 16])
③ $L_1+L_2+L_4 \leq 200$ m [656 ft] (1.25 mm² [AWG 16])
④ $L_6+L_5+L_3+L_4, L_4+L_3+L_5+L_7 \leq 200$ m [656 ft] (1.25 mm² [AWG 16])
- Remote controller cable length: $\ell_1, \ell_2 \leq 10$ m [32 ft] (0.3 to 1.25 mm² [AWG 22 to 16])
If the length exceeds 10 m [32 ft], use 1.25 mm² [AWG 16] shielded cable and calculate the length of that portion (L_4 and L_7) as within the total extended length and the longest remote length.

11.4. Wiring of main power supply and equipment capacity

Schematic Drawing of Wiring (Example)

[Fig. 11.4.1]



Thickness of wire for main power supply, on/off capacities

<Power source: 208/230V>

	Model	Unit combination	Minimum wire thickness (mm ² [AWG])			Switch (A)		Breaker for wiring (NFB)(A)	Breaker for current leakage	MCA (A)	MOCP (A)
			Main cable	Branch	Ground	Capacity	Fuse				
Outdoor unit	PUHY-HP72TJMU-A		21.2 [4] / 13.3 [6]	-	21.2 [4] / 13.3 [6]	60	60	60	60A 100mA 0.1sec. or less	59/54	101/92
	PUHY-HP96TJMU-A		33.6 [2] / 21.2 [4]	-	33.6 [2] / 21.2 [4]	75	75	75	75A 100mA 0.1sec. or less	74/68	127/116
	PUHY-HP144TSJMU-A	PUHY-HP72TJMU-A	21.2 [4] / 13.3 [6]	-	21.2 [4] / 13.3 [6]	60	60	60	60A 100mA 0.1sec. or less	59/54	101/92
		PUHY-HP72TJMU-A	21.2 [4] / 13.3 [6]	-	21.2 [4] / 13.3 [6]	60	60	60	60A 100mA 0.1sec. or less	59/54	101/92
	PUHY-HP192TSJMU-A	PUHY-HP96TJMU-A	33.6 [2] / 21.2 [4]	-	33.6 [2] / 21.2 [4]	75	75	75	75A 100mA 0.1sec. or less	74/68	127/116
		PUHY-HP96TJMU-A	33.6 [2] / 21.2 [4]	-	33.6 [2] / 21.2 [4]	75	75	75	75A 100mA 0.1sec. or less	74/68	127/116

1. Use dedicated power supplies for the outdoor unit and indoor unit. Ensure OC and OS are wired individually.
2. Bear in mind ambient conditions (ambient temperature, direct sunlight, rain water, etc.) when proceeding with the wiring and connections.
3. The wire size is the minimum value for metal conduit wiring. If the voltage drops, use a wire that is one rank thicker in diameter. Make sure the power-supply voltage does not drop more than 10%.
4. Specific wiring requirements should adhere to the wiring regulations of the region.
5. Power supply cords of parts of appliances for outdoor use shall not be lighter than polychloroprene sheathed flexible cord (design 245 IEC57). For example, use wiring such as YZW.
6. A switch with at least 3 mm [1/8 in] contact separation in each pole shall be provided by the Air conditioner installation.

⚠ Warning:

- Be sure to use specified wires for connections and ensure no external force is imparted to terminal connections. If connections are not fixed firmly, heating or fire may result.
- Be sure to use the appropriate type of overcurrent protection switch. Note that generated overcurrent may include some amount of direct current.

⚠ Caution:

- A breaker for current leakage must be attached to the power supply. If no earth leakage breaker is installed, it may cause an electric shock.
- Do not use anything other than a breaker and fuse with the correct capacity. Using a fuse or wire of too large capacity may cause malfunction or fire.

GB

12. Test run/Typical unit operation

The events listed in the table below are normal occurrences and do not represent operation problems.

Events	Display on remote controller	Cause
A specific indoor unit is not performing the cooling or heating operation.	"Cooling" or "heating" flashes	Because another indoor unit is performing the heating or cooling operation, the cooling or heating operation for the indoor unit in question is not operating.
Auto vane automatically switches air flow direction.	Normal display	The auto vane may switch over to horizontal air flow operation from vertical air flow operation in cooling mode if the vertical air flow operation has been running for 1 hour. At defrost in heating mode or immediately after heating start-up/shutdown, the auto vane automatically switches to horizontal air flow for a short time.
Fan speed automatically changes during heating operation.	Normal display	Unit fan operates in ultra-low speed when thermostat is turned off; automatically changes over to set value via timer or refrigerant temperature when thermostat is turned off.
Fan stops during heating operation.	Defrost display	Fan does not operate when unit is in defrost mode.
Fan does not stop even if unit is not operating.	No display	When in heating mode, fan still runs for 1 minute after unit stops to exhaust any residual heat.
At initial start in heating operation, fan cannot be manually set.	Heat ready	Fan automatically runs in ultra-low speed for 5 minutes after system is turned on, or until refrigerant temperature rises to 35°C [95°F], and runs in low-speed operation for 2 minutes thereafter until set temperature is reached.
Indoor unit remote controller displays "H0" or "PLEASE WAIT" for about 5 minutes after turning on the universal power supply.	"H0" or "PLEASE WAIT" flashes	System is performing the initial operating sequence. Remote controller will be operable again after "H0" or "PLEASE WAIT" stops flashing and disappears.
Drain pump continues to operate even after the unit has been turned off.	No display	After turning off the cooling operation, unit continues to operate the drain pump for 3 minutes, then shuts it off. Unit also continues to operate drain pump if condensate has been generated.
Indoor unit emits noise when switching from heating to cooling and vice versa.	Normal display	This is a normal sound of the refrigerant circuit operating properly.
Immediately after startup, the indoor unit emits the sound of the refrigerant flow.	Normal display	Unstable flow of the refrigerant emits a sound. This is temporary and does not imply a problem.
Warm air is omitted from an indoor unit that is not performing the heating operation.	Normal display	The LEV is slightly open for preventing any refrigerant, inside of the indoor unit that is not performing the heating operation, from being liquefied. This does not imply a problem.

GB

13. Rating plate information

Model	P72		P96		P144		P192	
	-		-		P72	P72	P96	P96
Unit combination	-		-		P72	P72	P96	P96
Refrigerant (R410A)	9.0 kg [19 LBS 13 oz]	11.8 kg [26 LBS 1 oz]	9.0 kg [19 LBS 13 oz]	9.0 kg [19 LBS 13 oz]	11.8 kg [26 LBS 1 oz]	11.8 kg [26 LBS 1 oz]	11.8 kg [26 LBS 1 oz]	11.8 kg [26 LBS 1 oz]
Allowable pressure (Ps)	HP: 4.15 MPa [601 psi], LP: 2.21 MPa [320 psi]							
Net weight	225 kg [497 LBS]	265 kg [585 LBS]	225 kg [497 LBS]	225 kg [497 LBS]	265 kg [585 LBS]	265 kg [585 LBS]	265 kg [585 LBS]	265 kg [585 LBS]

Contenu

1. Précautions de sécurité	19	10. Charge supplémentaire de frigorigène.....	27
1.1. Avant installation et travaux électriques	19	10.1. Calcul de la charge supplémentaire de frigorigène.....	27
1.2. Précautions pour les appareils qui utilisent le frigorigène R410A	20	10.2. Précautions concernant les connexions de la tuyauterie et le fonctionnement de la valve	27
1.3. Avant l'installation.....	20	10.3. Test d'herméticité, évacuation et chargement de frigorigène	29
1.4. Avant l'installation (déménagement) - travaux électriques.....	20	10.4. Isolation thermique de la tuyauterie du frigorigène	30
1.5. Avant de commencer l'essai	20	11. Câblage (pour les détails, reportez-vous au manuel d'installation de chaque unité intérieure/extérieure et du contrôleur)	31
2. À propos du produit.....	20	11.1. Mise en garde	31
3. Combinaison d'unités extérieures	21	11.2. Boîtier de commande et emplacement pour le raccordement des câbles	31
4. Spécifications	21	11.3. Raccordement des câbles de transmission	31
5. Liste des pièces incluses	21	11.4. Câblage de l'alimentation principale et capacité des équipements.....	34
6. Espace requis pour installer et utiliser l'unité	21	12. Essai de fonctionnement/Fonctionnement type d'une unité	35
7. Transport de l'unité	22	13. Informations de la plaque signalétique	35
8. Installation de l'unité	23		
8.1. Installation	23		
9. Installation de la tuyauterie du frigorigène	23		
9.1. Mise en garde	23		
9.2. Système de tuyauterie du frigorigène	25		

1. Précautions de sécurité

1.1. Avant installation et travaux électriques

- ▶ Avant d'installer l'unité, ne manquez pas de lire toutes les "Précautions de sécurité".
- ▶ Les "Précautions de sécurité" fournissent des points très importants concernant la sécurité. Ne manquez pas de les observer.

Symboles utilisés dans le texte

⚠ Avertissement :

Décrit les précautions qui doivent être prises pour éviter les risques de blessure ou de mort de l'utilisateur.

⚠ Attention :

Décrit les précautions qui doivent être prises pour éviter d'endommager l'unité.

Symboles utilisés dans les illustrations

- ⊘ : Indique une action qui doit être évitée.
- ⚠ : Indique que des instructions importantes doivent être observées.
- ⚡ : Indique une pièce qui doit être mise à la terre.
- ⚠ : Attention au choc électrique. (Ce symbole est affiché sur l'étiquette de l'unité principale.) <Couleur : jaune>

- ⚠ **Avertissement :**
Lisez soigneusement les étiquettes apposées sur l'unité extérieure.

⚠ AVERTISSEMENT DE HAUTE TENSION :

- Le boîtier de commande abrite des pièces à haute tension.
- En ouvrant ou en fermant le panneau avant du boîtier de commande, ne le laissez pas venir en contact avec des composants internes.
- Avant d'inspecter l'intérieur de la boîte de commande, coupez le courant, laissez l'unité hors circuit pendant au moins 10 minutes, et confirmez que la tension entre FT-P et FT-N sur le panneau INV a chuté à 20 Vcc ou moins. (La décharge de l'électricité prend environ 10 minutes après la coupure du courant.)

⚠ Avertissement :

- Demandez au distributeur ou à un technicien autorisé d'installer le climatiseur.
 - Une installation incorrecte par l'utilisateur peut avoir comme conséquence une fuite d'eau, un choc électrique ou un incendie.
- Installez l'unité à un endroit qui peut soutenir son poids.
 - Si ce n'est pas pris en compte, l'unité peut tomber et blesser quelqu'un ou être endommagée.
- Utilisez les câbles spécifiés pour le câblage. Faites des branchements solides de sorte que la force extérieure du câble ne soit pas appliquée aux bornes.
 - Un branchement et une fixation inadéquats peuvent s'échauffer et causer un incendie.
- Soyez préparés en cas de vents forts et de tremblements de terre et installez l'unité à la place indiquée.
 - Une installation incorrecte peut faire renverser l'unité et provoquer des blessures ou endommager l'unité.
- Utilisez toujours les filtres et autres accessoires spécifiés par Mitsubishi Electric.
 - Demandez à un technicien autorisé d'installer les accessoires. Une installation incorrecte par l'utilisateur peut avoir comme conséquence une fuite d'eau, un choc électrique ou un incendie.

- N'essayez pas de réparer l'unité si vous ne disposez pas des compétences appropriées. Si le climatiseur doit être réparé, contactez votre revendeur, votre sous-traitant ou un ingénieur frigoriste.
 - Une réparation incorrecte par l'utilisateur peut avoir comme conséquence une fuite d'eau, un choc électrique ou un incendie.
- Ne touchez pas aux ailettes de l'échangeur de chaleur.
 - Une manutention inappropriée peut avoir comme conséquence des blessures.
- En cas de fuite du gaz frigorigène pendant l'installation, aérez la pièce.
 - Si le gaz frigorigène vient en contact avec une flamme, des gaz toxiques se dégagent.
- Installez le climatiseur conformément à ce Manuel d'installation.
 - Une installation incorrecte peut avoir comme conséquence une fuite d'eau, un choc électrique ou un incendie.
- Faites effectuer tous les travaux électriques par un électricien licencié selon les "Normes techniques des installations électriques", les "Règlementation sur le câblage dans chaque zone géographique", et utilisez toujours une alimentation dédiée.
 - Si la source d'énergie est inadéquate ou les travaux électriques sont exécutés incorrectement, un risque de choc électrique et d'incendie peut en résulter.
- Installez sécuritairement le capot des bornes de l'unité extérieure (panneau).
 - Si le capot des bornes (panneau) n'est pas installé correctement, la poussière ou l'eau peut pénétrer dans l'unité extérieure et un incendie ou un choc électrique peut en résulter.
- En installant et en déplaçant le climatiseur vers un autre site, ne le chargez pas avec un frigorigène différent de celui qui est spécifié sur l'unité.
 - Si un autre frigorigène ou de l'air est mélangé au frigorigène original, le cycle frigorifique peut mal fonctionner et l'unité peut être endommagée.
- Si le climatiseur est installé dans une petite pièce, des mesures doivent être prises pour empêcher la concentration en frigorigène de dépasser la limite de sécurité en cas de fuite du frigorigène.
 - Consultez le distributeur au sujet des mesures appropriées pour empêcher la limite de sécurité d'être excédée. En cas de fuite du frigorigène et de dépassement de la limite de sécurité, les risques dus au manque d'oxygène dans la pièce peuvent exister.
- Pour déménager et réinstaller le climatiseur, consultez le distributeur ou un technicien autorisé.
 - Une installation incorrecte du climatiseur peut avoir comme conséquence une fuite d'eau, un choc électrique ou un incendie.
- Après avoir terminé les travaux d'installation, vérifiez que le gaz frigorigène ne fuit pas.
 - Si le gaz frigorigène fuit et est exposé à un radiateur-ventilateur, cuisinière, four ou toute autre source de chaleur, des gaz nocifs peuvent se produire.
- Ne reconstruisez pas ou ne changez pas les configurations des dispositifs de protection.
 - Si le pressostat, le rupteur thermique, ou autre dispositif de protection est court-circuité ou forcé, ou si des pièces autres que celles spécifiées par Mitsubishi Electric sont utilisées, un incendie ou une explosion peut en résulter.
- Pour éliminer ce produit, consultez votre distributeur.
- L'installateur et le spécialiste système assureront la sécurité contre les fuites conformément aux normes et règlements locaux.
 - Choisissez un câble de taille appropriée et respectez les capacités du commutateur d'alimentation tel qu'indiqué dans ce manuel si la réglementation locale n'est pas disponible.
- Faites particulièrement attention au lieu de l'installation, telle qu'un sous-sol, etc. où le gaz frigorigène peut s'accumuler étant donné qu'il est plus lourd que l'air.
- Pour les unités extérieures qui permettent l'admission d'air extérieur dans l'unité intérieure, le site d'installation doit être soigneusement choisi pour permettre uniquement à l'air sain de pénétrer dans la pièce.
 - L'exposition directe à l'air extérieur peut avoir des effets nocifs sur les personnes ou la nourriture.

1.2. Précautions pour les appareils qui utilisent le frigorigène R410A

⚠ Attention :

- **N'utilisez pas la tuyauterie de frigorigène existante.**
 - L'ancien frigorigène et l'huile réfrigérante présents dans la tuyauterie existante contiennent une grande quantité de chlore qui peut détériorer l'huile réfrigérante de la nouvelle unité.
 - R410A est un frigorigène à haute pression qui peut faire éclater la tuyauterie existante.
- **Utilisez une tuyauterie de frigorigène en cuivre désoxydé au phosphore et des tuyaux et tubulures en alliage de cuivre sans soudure. En outre, assurez-vous que les surfaces intérieures et extérieures des tuyaux sont propres et dépourvues de soufre, d'oxydes, de poussières/saletés, de particules de rasage, d'huile, d'humidité, ou de n'importe quel autre contaminant dangereux.**
 - Les contaminants à l'intérieur de la tuyauterie du frigorigène peuvent détériorer l'huile du frigorigène.
- **Entreposez à l'intérieur la tuyauterie à utiliser pour l'installation et gardez scellées les deux extrémités de la tuyauterie jusqu'au moment du brasage. (Stockez les coudes et autres raccords dans un sac en plastique.)**
 - Si de la poussière, des saletés ou de l'eau pénètrent dans le cycle du frigorigène, il peut en résulter une détérioration de l'huile et une défaillance du compresseur.
- **Appliquez seulement une petite quantité d'huile d'ester, huile d'éther ou alkybenzène aux connexions évasées (pour l'unité d'intérieur).**
 - L'infiltration d'une grande quantité d'huile minérale peut détériorer l'huile réfrigérante.
- **Utilisez un frigorigène liquide pour remplir le système.**
 - Si un gaz frigorigène est utilisé pour remplir le système, la composition du frigorigène dans le cylindre change et la performance peut chuter.
- **N'utilisez pas de frigorigène autre que le R410A.**
 - Si un autre frigorigène (R22, etc.) est mélangé au R410A, le chlore dans le frigorigène peut détériorer l'huile réfrigérante.
- **Utilisez une pompe à vide avec clapet anti-retour de flux inverse.**
 - L'huile de la pompe à vide peut refluer dans le cycle frigorifique et détériorer l'huile réfrigérante.
- **N'utilisez pas les outils suivants qui sont utilisés avec les frigorigènes conventionnels. (Manomètre de pression, tuyau flexible de charge, détecteur de fuite de gaz, clapet anti-retour de flux inverse, base de charge du frigorigène, équipement de récupération du frigorigène)**
 - Si un frigorigène conventionnel et de l'huile frigorigène sont mélangés dans le R410A, il peut en résulter une détérioration du frigorigène.
 - Si de l'eau est mélangée au R410A, l'huile réfrigérante peut être détériorée.
 - Puisque le R410A ne contient aucun chlore, les détecteurs de fuite de gaz pour les frigorigènes conventionnels ne réagissent pas.
- **N'utilisez pas de cylindre de chargement.**
 - Utiliser un cylindre de chargement peut détériorer le frigorigène.
- **Faites particulièrement attention en manipulant les outils.**
 - Si de la poussière, des saletés ou de l'eau pénètre dans le cycle frigorifique, le frigorigène peut se détériorer.

1.3. Avant l'installation

⚠ Attention :

- **N'installez pas l'unité là où un gaz combustible peut fuir.**
 - Si le gaz fuit et s'accumule autour de l'unité, une explosion peut se produire.
- **N'utilisez pas le climatiseur là où se trouve de la nourriture, des animaux domestiques, des plantes, des instruments de précision ou des objets d'art.**
 - La qualité de la nourriture, etc. peut se détériorer.
- **N'utilisez pas le climatiseur dans des environnements spéciaux.**
 - L'huile, la vapeur, la fumée sulfurique, etc. peuvent réduire de manière significative la performance du climatiseur ou endommager ses pièces.
- **En installant l'unité dans un hôpital, un centre de transmission ou site semblable, assurez une protection suffisante contre le bruit.**
 - Les convertisseurs, les générateurs privés d'alimentation électrique, les équipements médicaux à haute fréquence ou les équipements de radiocommunication peuvent provoquer le dysfonctionnement du climatiseur, ou l'empêcher de fonctionner. D'un autre côté, le climatiseur peut affecter le fonctionnement de ces équipements en raison du bruit qui gêne le traitement médical ou la transmission d'images.
- **N'installez pas l'unité sur un support que l'eau peut endommager.**
 - Quand l'humidité de la pièce excède 80% ou lorsque le drain est obstrué, la condensation peut s'égoutter d'une unité d'intérieur. Exécutez un travail de drainage collectif avec l'unité extérieure, selon besoins.

2. À propos du produit

- Cette unité utilise le frigorigène de type R410A.
- Pour les systèmes utilisant le R410A, la tuyauterie peut être différente de celle des systèmes utilisant un frigorigène conventionnel parce que les systèmes utilisant le R410A sont conçus pour fonctionner à des pressions plus élevées. Reportez-vous au Livre de données pour plus d'information.
- Certains outils et équipements utilisés pour l'installation de systèmes fonctionnant avec d'autres types de frigorigènes ne peuvent pas être utilisés pour les systèmes fonctionnant avec le R410A. Reportez-vous au Livre de données pour plus d'information.

1.4. Avant l'installation (déménagement) - travaux électriques

⚠ Attention :

- **Mettez l'unité à la terre.**
 - Ne connectez pas le fil de terre aux conduites de gaz ou d'eau, aux paratonnerres, ou aux lignes de terre du téléphone. Une mise à la terre incorrecte peut avoir comme conséquence un choc électrique.
- **Installez le câble d'alimentation de sorte que la tension ne soit pas appliquée au câble.**
 - La tension peut fracturer le câble, produire un échauffement et causer un incendie.
- **Installez un disjoncteur de fuite, selon besoins.**
 - Si un disjoncteur de fuite n'est pas installé, un choc électrique peut en résulter.
- **Utilisez des câbles d'alimentation ayant une capacité de charge et une valeur nominale suffisantes.**
 - Les câbles qui sont trop petits peuvent fuir, s'échauffer, et provoquer un incendie.
- **Utilisez seulement un disjoncteur et un fusible de la capacité spécifiée.**
 - Un fusible ou un disjoncteur d'une plus grande capacité, ou utiliser à la place un simple fil d'acier ou de cuivre peuvent avoir comme conséquence une défaillance générale de l'unité ou un incendie.
- **Ne lavez pas le climatiseur.**
 - Le lavage peut causer une décharge électrique.
- **Assurez-vous que la base d'installation n'a pas été endommagée par suite d'un usage prolongé.**
 - Si les dommages ne sont pas réparés, l'unité peut tomber et causer des blessures ou des dégâts matériels.
- **Installez la tuyauterie de drainage conformément à ce Manuel d'installation pour assurer un drainage approprié. Enveloppez les tubes d'isolation thermique pour empêcher la condensation.**
 - Une tuyauterie de drainage inappropriée peut causer une fuite d'eau et endommager le mobilier et autres objets.
- **Faites très attention lors du transport du produit.**
 - Le produit ne doit pas être porté par une seule personne. Son poids excède 20 kg [45LBS].
 - Certains produits utilisent des bandes PP pour l'emballage. N'utilisez pas de bande PP en tant que moyen de transport. C'est dangereux.
 - Ne touchez pas aux ailettes de l'échangeur de chaleur. Vous pourriez couper vos doigts.
 - Pour transporter l'unité extérieure, supportez-la aux positions indiquées sur la base. Supportez également l'unité extérieure sur quatre points de sorte qu'elle ne puisse pas glisser de côté.
- **Éliminez sécuritairement les matériaux d'emballage.**
 - Les matériaux d'emballage, tels que des clous et autres pièces en métal ou en bois, peuvent causer des blessures.
 - Déchirez et jetez les sacs d'emballage en plastique de sorte que les enfants ne jouent pas avec. Si des enfants jouent avec un sac en plastique qui n'a pas été déchiré, ils risquent de suffoquer.

1.5. Avant de commencer l'essai

⚠ Attention :

- **Mettez sous tension pendant au moins 12 heures avant de mettre en route.**
 - Mettre en route immédiatement après la mise sous tension peut causer des dommages irréversibles aux pièces internes. Laissez l'interrupteur de courant en position sous tension pendant la saison d'exploitation. Vérifiez l'ordre de phase de l'alimentation et la tension entre chaque phase.
- **Ne touchez pas les interrupteurs avec des doigts mouillés.**
 - Toucher un interrupteur avec les doigts mouillés peut entraîner un choc électrique.
- **Ne touchez pas les tubes de frigorigène pendant et immédiatement après le fonctionnement.**
 - Pendant et juste après le fonctionnement, les tubes de frigorigène peuvent être chauds ou froids, selon l'état du frigorigène s'écoulant dans la tuyauterie, le compresseur et autres pièces du cycle frigorifique. Vos mains peuvent subir des brûlures ou gelures si vous touchez les tubes de frigorigène.
- **Ne faites pas fonctionner le climatiseur avec les panneaux et protections retirés.**
 - Les pièces rotatives, chaudes, ou sous haute tension peuvent causer des blessures.
- **Ne coupez pas le courant immédiatement après avoir arrêté le fonctionnement.**
 - Attendez toujours au moins 5 minutes avant de couper le courant. Autrement, une fuite de l'eau de drainage ou une défaillance mécanique des pièces sensibles pourrait se produire.
- **Ne touchez pas la surface du compresseur pendant l'entretien.**
 - Si l'appareil est connecté à une alimentation et n'est pas en marche, le chauffage à carter situé à la base du compresseur peut encore fonctionner.

- N'utilisez pas la tuyauterie existante, car elle contient du chlore, qui est présent dans l'huile et le frigorigène de machines conventionnelles de frigorigéation. Ce chlore détériore l'huile réfrigérante de machine dans le nouvel équipement. La tuyauterie existante ne doit pas être utilisée car la pression de conception dans les systèmes utilisant le R410A est plus élevée que celle des systèmes utilisant d'autres types de frigorigène et les tuyaux existants peuvent éclater.

3. Combinaison d'unités extérieures

Les composants de PUHY-HP144 à HP192 sont listés ci-dessous.

Modèle extérieur	Modèles de composants	
PUHY-HP72TJMU-A(-BS)	-	-
PUHY-HP96TJMU-A(-BS)	-	-
PUHY-HP144TSJMU-A(-BS)	PUHY-HP72TJMU-A(-BS)	PUHY-HP72TJMU-A(-BS)
PUHY-HP192TSJMU-A(-BS)	PUHY-HP96TJMU-A(-BS)	PUHY-HP96TJMU-A(-BS)

* Un "Kit de Jumelage" est requis pour les unités extérieures PUHY-HP144/192TSJMU-A(-BS) afin de connecter les modules des composants sur site.

4. Spécifications

Modèle	PUHY-HP72TJMU-A	PUHY-HP96TJMU-A	PUHY-HP144TSJMU-A	PUHY-HP192TSJMU-A
Niveau de bruit (60 Hz)	56 dB <A>	57 dB <A>	59 dB <A>	60 dB <A>
Pression statique externe	0 Pa *2			
Unités d'intérieur	Capacité totale 50~130 % *1			
	Modèle 06~96			
Température de fonctionnement	Type standard	Mode de refroidissement : - 5°CDB ~ 43°CDB [23°FDB ~ 109°FDB] (0°CDB ~ 43°CDB [32°FDB ~ 109°FDB] avec l'unité extérieure en position basse)		
	Type d'admission d'air extérieur	Mode de refroidissement : 21°CDB/15,5°CWB ~ 43°CDB/35°CWB (70°FDB/60°FWB ~ 109°FDB/95°FWB)		
		Mode de chauffage : - 10°CDB ~ 20°CDB [14°FDB ~ 68°FDB]		

*1 : La capacité totale d'intérieur d'unités fonctionnant simultanément est au plus de 130 %.

*2 : Pour permettre une pression statique élevée, réglez le DipSW sur le panneau principal comme suit.

SW3-9 : ON, SW3-10 60 Pa compatible : OFF, 30 Pa compatible : ON

5. Liste des pièces incluses

Modèle	Adaptateur <Joint de contrôle>
P72	2 pcs.
P96	2 pcs.

6. Espace requis pour installer et utiliser l'unité

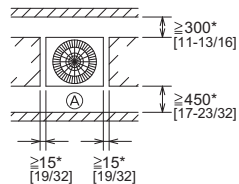
① En cas d'installation simple

- Laissez assez d'espace autour de l'unité comme indiqué sur la figure ci-dessous.

[Fig. 6.0.1]

(1) Si la distance est de 300 mm [11-13/16 in] ou plus entre le dos de l'appareil et le mur

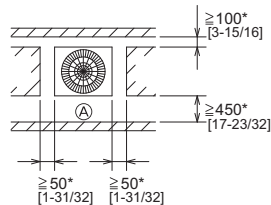
<A> Vue de dessus



(Unité : mm [in])

(2) Si la distance est de 100 mm [3-15/16 in] ou plus entre le dos de l'appareil et le mur

<A> Vue de dessus

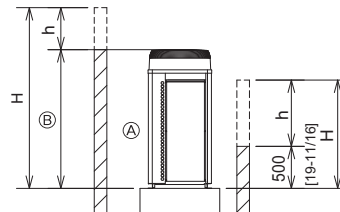


(Unité : mm [in])

(3) Si la hauteur du mur (H) à l'avant, l'arrière ou de côté excède la restriction en hauteur du mur

 Vue de côté

(Unité : mm [in])



- Quand la hauteur des murs à l'avant, au dos ou sur les côtés <H> dépasse la limite de hauteur de mur définie ici, ajoutez la hauteur qui excède la hauteur limite <h> aux chiffres qui sont identifiés par un astérisque (*).

<Hauteur limite du mur> Avant : Jusqu'à la hauteur de l'appareil

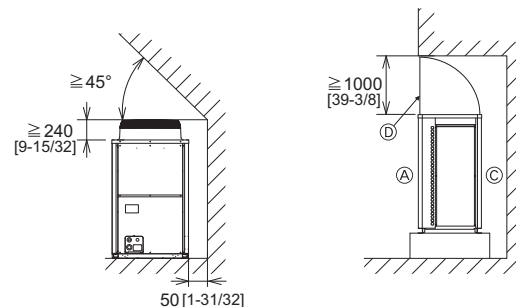
Dos : Jusqu'à 500 mm [19-11/16 in] du fond de l'appareil

Côté : Jusqu'à la hauteur de l'appareil

(4) S'il y a des obstacles à la partie supérieure de l'unité

<C> Quand il y a peu d'espace jusqu'à une obstruction

(Unité : mm [in])



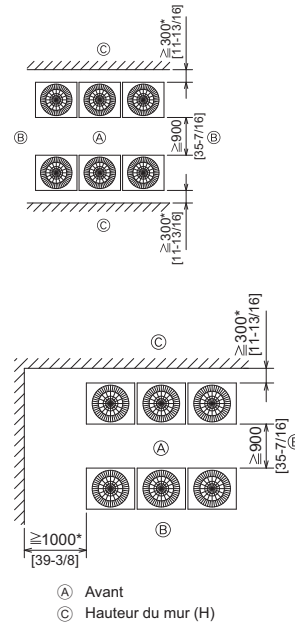
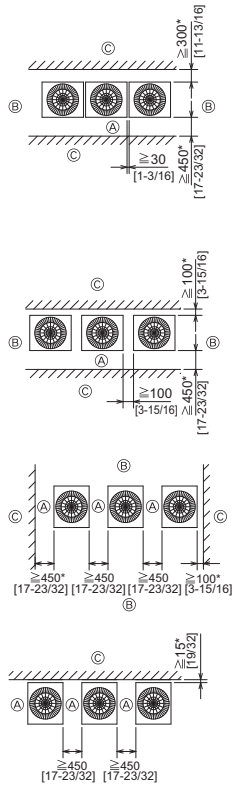
A Avant
C Dos

B Hauteur de l'unité
D Guide de sortie d'air (fourni sur le terrain)

② En cas d'installation collective

[Fig. 6.0.2]

(Unité : mm [in])



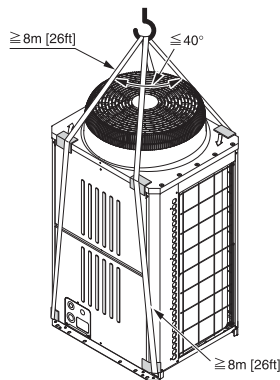
A Avant
C Hauteur du mur (H)
B Doit être ouvert

- Quand plusieurs unités sont installées côte à côte, laissez assez d'espace pour permettre la circulation de l'air et le passage entre les groupes d'unités tel qu'illustré sur les figures.
- Au moins deux côtés doivent être laissés ouverts.
- Comme pour l'installation simple, ajoutez la hauteur qui excède la hauteur limite h aux chiffres qui sont identifiés par un astérisque*).
- S'il y a un mur à l'avant et à l'arrière de l'unité, installez jusqu'à six unités consécutivement côte à côte et laissez un espace de 1000 mm ou plus comme espace de passage et de circulation d'air pour chaque six unités.

7. Transport de l'unité

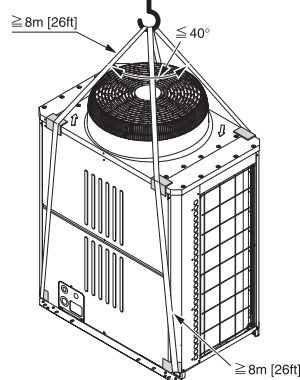
[Fig. 7.0.1]

① P72



② P96

(Unité : m [ft])



- Utilisez des cordes de suspension qui résistent au poids de l'appareil.
- Pour déménager l'unité, utilisez une **suspension en 4 points**, et évitez de donner des chocs à l'unité (n'utilisez pas de **suspension en 2 points**).
- Placez des garnitures protectrices sur l'unité aux points de contact avec les cordes pour éviter de la rayer.
- Ajustez l'angle des câbles à pas plus de 40°.
- Utilisez 2 cordes qui sont chacune de longueur supérieure à 8 m [26 ft].
- Placez des protections aux coins du produit pour le protéger contre les rayures ou les bosselures qui pourraient être provoquées par la corde.

⚠ Attention :

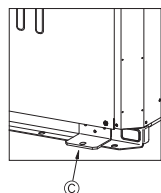
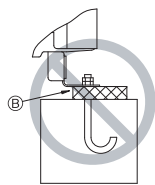
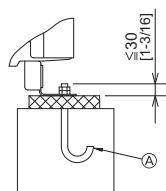
Faites très attention en portant/déménageant le produit.

- Pour installer l'unité extérieure, suspendez-la aux points spécifiés sur la base. Stabilisez l'appareil selon besoins de sorte qu'il ne glisse pas sur le côté et supportez-le en 4 points. Si l'unité est installée ou suspendue avec un support en 3 points, elle peut devenir instable et tomber.

8. Installation de l'unité

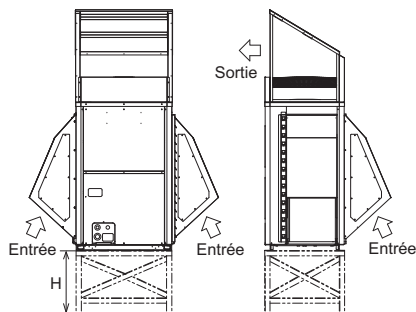
8.1. Installation

[Fig. 8.1.1]



- (Unité : mm [in])
- (A) Boulon d'ancrage M10 fourni sur le terrain (B) Le coin n'est pas logé.
(C) Support de fixation pour le boulon d'ancrage dans le trou (3 emplacements à attacher avec des vis).

[Fig. 8.1.2]



- Dans des environnements anormalement rigoureux (zones venteuses et/ou neigeuses), des contre-mesures suffisantes doivent être mises en œuvre pour protéger l'unité contre un vent ou une quantité de neige en excès, afin de garantir son bon fonctionnement. Lorsque l'unité doit être utilisée en mode de refroidissement à une température inférieure à 10°C [50°F] et dans des zones neigeuses et des environnements soumis à des précipitations et des vents violents, installez l'entrée d'air et la conduite de sortie comme indiqué sur la [Fig. 8.1.2].

- Attachez l'unité avec des boulons de sorte qu'elle ne tombe pas en raison de tremblements de terre ou de vents forts.
- Utilisez du support en béton ou une cornière d'assemblage comme fondation de l'unité.
- Des vibrations peuvent être transmises à la section d'installation et bruit et vibration peuvent être produits par le plancher et les murs, selon les conditions d'installation. Fournissez par conséquent une protection suffisante contre les vibrations (coussinets, cadre de coussin, etc.).
- Construisez les fondations de sorte que le coin du pied d'installation soit correctement supporté comme illustré sur la figure située à gauche. (Fig. 8.1.1)
Si vous utilisez un coussinet d'isolation en caoutchouc, vérifiez qu'il est suffisamment large pour couvrir toute la largeur de chaque pied de l'unité. Si les coins n'ont pas une assise suffisante, les pieds d'installation risquent de se courber.
- Lorsque vous utilisez des coussinets, veillez à ce que toute la largeur de l'unité soit recouverte.
- La longueur de projection du boulon d'ancrage doit être inférieure à 30 mm [1-3/16 in].
- Les boulons d'ancrage installés ultérieurement (boulons mal fixés dans le support en ciment) ne sont pas compatibles avec ce produit à moins que des supports de fixation soient montés au préalable aux quatre emplacements.

Remarque :

- La hauteur du support du bâti utilisé en prévention des dommages provoqués par la neige (H) doit être deux fois plus haute que le niveau de la neige attendu. La largeur du support du bâti ne doit pas excéder celle de l'unité. Le support du bâti doit être fabriqué en acier cornier, etc., et conçu pour que la neige et le vent glissent sur la structure. (Si le support du bâti est trop large, la neige s'accumulera dessus.)
- Montez l'unité de sorte que le vent ne heurte pas directement les ouvertures des conduites d'entrée et de sortie.
- Montez le support du bâti chez le client en vous reportant à cette figure.
Matériau : plaque en acier galvanisé 1.2T
Peinture : peinture globale à base de poudre polyester
Couleur : Munsell 5Y8/1 (identique à celle de l'unité)
- Lorsque l'unité est utilisée dans une région froide en mode de chauffage continu sur une longue période alors que la température de l'air extérieur est inférieure à la température de gel, installez un radiateur à la base de l'unité ou prenez les mesures adéquates pour empêcher l'eau de geler dans le support.

⚠ Avertissement :

- Soyez sûr d'installer l'unité dans un endroit assez résistant pour soutenir son poids.**
Toute faiblesse de résistance peut faire tomber l'unité et causer des blessures.
- Faites effectuer l'installation afin de la protéger contre les vents forts et les tremblements de terre.**
Toute déficience dans l'installation peut faire tomber l'unité et causer des blessures.

Lors de la construction de la fondation, faites attention à la résistance du plancher, à la disposition de l'eau de drainage <en cours de fonctionnement, de l'eau de drainage s'écoule de l'unité>, et au routage des tubes et des câbles.

Précautions en cas de routage des tubes et des câbles en dessous de l'unité

Lorsque les tubes et les câbles passent en dessous de l'unité, vérifiez que les travaux sur la base et la fondation ne bloquent pas les trous de passage de la base. Assurez-vous en outre que la hauteur de la fondation soit au moins de 100 mm [3-15/16 in] de sorte que la tuyauterie puisse passer en dessous de l'unité.

9. Installation de la tuyauterie du frigorigène

Le tube est connecté par l'intermédiaire d'une connexion de type branche terminale dans laquelle la tuyauterie du frigorigène provenant de l'unité extérieure est branchée au terminal et est connectée à chacune des unités d'intérieur. La méthode de raccord des tubes est la suivante : la suivante : raccordement évasé pour les unités d'intérieur, tuyaux de gaz et de fluide pour les unités extérieures, raccordement évasé. Notez que les sections doubles sont évasées. Remarquez que les sections ramifiées sont brasées.

⚠ Avertissement :

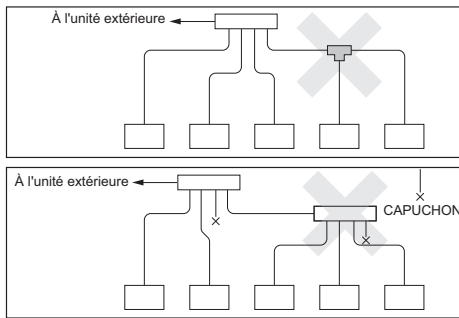
Toujours faire très attention à empêcher le gaz frigorigène de fuir quand vous utilisez du feu ou une flamme. Si le gaz frigorigène entre en contact avec une flamme de n'importe quelle source, telle qu'un fourneau à gaz, il se décompose et produit un gaz toxique qui peut provoquer une intoxication au gaz. Ne soudez jamais dans une salle non aérée. Effectuez toujours une inspection de fuite de gaz après que l'installation de la tuyauterie du frigorigène ait été complétée.

9.1. Mise en garde

Cette unité utilise le frigorigène de type R410A. Observez les règlements locaux lors de la sélection des matériaux et de l'épaisseur des tubes. (Référez-vous au tableau ci-dessous.)

- Utilisez les matériaux suivants pour la tuyauterie frigorifique.
 - Matériaux : Utilisez des tubes en alliage de cuivre sans soudure faits en cuivre désoxydé par phosphore. Assurez-vous que l'intérieur et les surfaces externes des tubes sont propres et dépourvues de soufre, d'oxydes, de poussières, de particules de rasage, d'huile et d'humidité (contamination).
 - Dimension : Reportez-vous à 9.2. pour les informations détaillées sur le système de tuyauterie du frigorigène.
- Observez toujours les restrictions sur la tuyauterie de frigorigène (telles que la longueur nominale, la différence de hauteur et le diamètre du tube) pour empêcher la défaillance de l'équipement ou une diminution de la performance de chauffage/refroidissement.

- ③ Des branchements ne peuvent pas être faits après le branchement du collecteur (les pièces correspondantes sont marquées avec X dans le diagramme ci-dessous).



- ④ **N'exécutez pas la connexion de tuyauterie de l'unité extérieure quand il pleut.**
- ⑤ La tuyauterie disponible dans le commerce contient souvent de la poussière et d'autres matériaux. Nettoyez-la toujours à l'aide d'un jet de gaz inerte sec.
- ⑥ Prenez soin d'empêcher la poussière, l'eau ou autres contaminants de pénétrer dans la tuyauterie pendant l'installation.
- ⑦ Réduire autant que possible le nombre de sections courbées, et utilisez des rayons de cintrage aussi grands que possible.
- ⑧ Pour les branchements intérieur et extérieur, utiliser les jeux suivants de tubes de jumelage dans le tableau 1 (vendus séparément).
- ⑨ Utiliser un adaptateur si un tube de frigorigène spécifié a un diamètre différent de celui du tube de branchement.

- ⑩ **Brasez seulement avec un matériau de brasage non-oxydé pour tuyauterie. Le non-respect de cette instruction peut endommager le compresseur. Soyez sûr d'exécuter le brasage sans oxydation avec une purge d'azote.**
N'utilisez aucun agent antioxydant disponible dans le commerce étant donné qu'il peut entraîner la corrosion des tubes et dégrader l'huile frigorigène. Veuillez contacter Mitsubishi Electric pour plus de détails. (Reportez-vous à 10.2. pour des détails sur la connexion de la tuyauterie et du fonctionnement de la valve)
- ⑪ Isolez toujours correctement la tuyauterie. Une isolation insuffisante aura comme conséquence une diminution de la performance de chauffage/refroidissement, des gouttes d'eau de condensation et autres problèmes de ce type (reportez-vous à 10.4 pour Isolation thermique de la tuyauterie du frigorigène).
- ⑫ Lors du branchement de la tuyauterie frigorigène, assurez-vous que la valve de l'unité extérieure est complètement fermée (réglage usine). Ne l'actionnez pas jusqu'à ce que la tuyauterie frigorigène des unités extérieure et intérieure ait été connectée, qu'un essai d'étanchéité du frigorigène ait été exécuté et que le processus d'évacuation ait été complété.
- ⑬ **N'utilisez jamais de frigorigène pour exécuter une purge d'air.** Servez-vous toujours d'une pompe à vide pour évacuer.
- ⑭ **Soyez sûr de charger le système avec un frigorigène liquide.**
- ⑮ Un manque ou un excès de frigorigène provoque un arrêt d'urgence de l'unité. Chargez le système d'une quantité appropriée de frigorigène. Au cours d'un entretien, vérifiez toujours les notes concernant la longueur du tube et la quantité de frigorigène supplémentaire aux deux emplacements, le tableau de calcul du volume de frigorigène au dos du panneau de service et la section de frigorigène supplémentaire sur les étiquettes pour le nombre combiné d'unités d'intérieur (reportez-vous à 9.2. pour les informations détaillées sur le système de tubes de frigorigène).

<Tableau 1>

Jeu de tubes de jumelage intérieur						Kit de Jumelage extérieur
Branchement de ligne			Branchement de collecteur			
Capacité de l'unité intérieure en aval Moins de 72 au total	Capacité de l'unité intérieure en aval Plus de 73 et moins de 144 au total	Capacité de l'unité intérieure en aval Plus de 145 et moins de 288 au total	4 branches	8 branches	10 branches	Total pour modèle extérieur P144 ~ P192
CMY-Y102S-G2	CMY-Y102L-G2	CMY-Y202-G2	CMY-Y104-G	CMY-Y108-G	CMY-Y1010-G	CMY-Y100VBK2

⚠ Avertissement :

En installant et en déménageant l'unité, ne chargez pas le système avec un frigorigène autre que celui qui est spécifié sur l'unité.

- Le mélange d'un réfrigérant différent, d'air, etc. peut faire mal fonctionner le cycle frigorifique et peut occasionner des dommages sévères.

⚠ Attention :

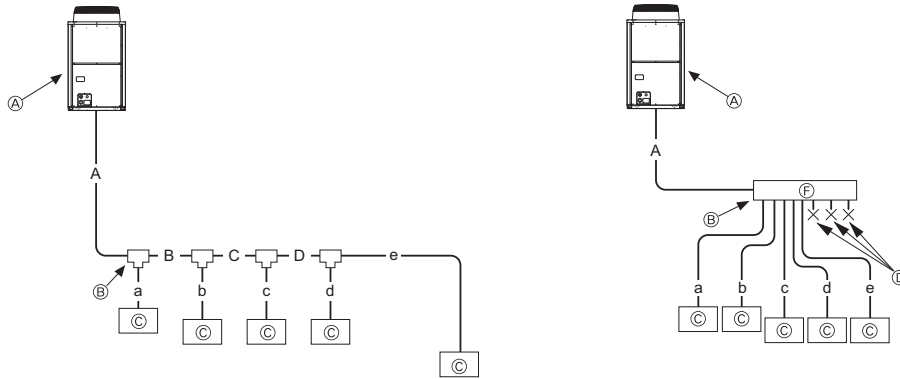
- **Utilisez une pompe à vide avec clapet anti-retour de flux inverse.**
 - Si la pompe à vide n'a pas de clapet anti-retour de flux inverse, l'huile de la pompe à vide peut refluer dans le cycle frigorifique et détériorer l'huile réfrigérante.
- **N'utilisez pas les outils indiqués ci-dessous qui sont utilisés avec les frigorigènes conventionnels.** (Manomètre de pression, tuyau flexible de charge, détecteur de fuite de gaz, clapet anti-retour de flux inverse, base de charge du frigorigène, manomètre à vide, équipement de récupération du frigorigène)
 - Le mélange de frigorigène conventionnel et d'huile réfrigérante peut détériorer l'huile réfrigérante.
 - Le mélange d'eau détériore l'huile réfrigérante.
 - Le frigorigène R410A ne contient aucun chlore. Par conséquent, les détecteurs de fuite de gaz pour les frigorigènes conventionnels ne réagissent pas.
- **Gérez les outils utilisés pour le R410A plus soigneusement que d'habitude.**
 - Si de la poussière, des saletés ou de l'eau pénètre dans le cycle frigorifique, l'huile réfrigérante se détériore.
- **N'utilisez jamais la tuyauterie du frigorigène existante.**
 - La grande quantité de chlore dans un frigorigène conventionnel et l'huile réfrigérante dans la tuyauterie existante détérioreront le nouveau frigorigène.
- **Entreposez à l'intérieur la tuyauterie à utiliser pour l'installation et gardez scellées les deux extrémités de la tuyauterie jusqu'au moment du brasage.**
 - Si de la poussière, des saletés ou de l'eau pénètre dans le cycle frigorifique, l'huile se détériore et le compresseur peut défaillir.
- **N'utilisez pas de cylindre de chargement.**
 - Utiliser un cylindre de chargement peut détériorer le frigorigène.
- **N'utilisez pas de détergents spéciaux pour laver la tuyauterie.**

9.2. Système de tuyauterie du frigorigène

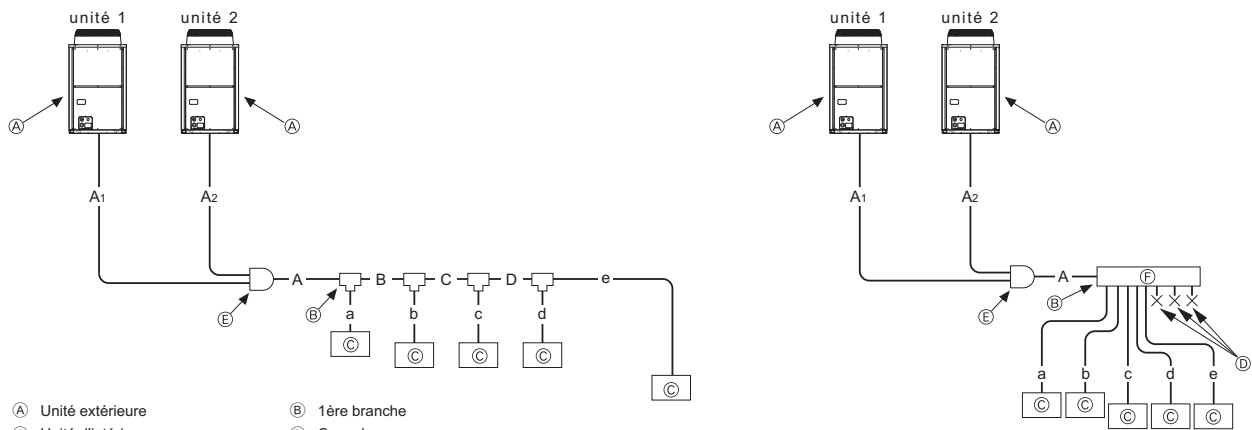
Exemple de connexion

[Fig. 9.2.1]

[Modèle extérieur : P72 - P96]



[Modèle extérieur : P144 - P192]



- (A) Unité extérieure
- (B) 1ère branche
- (C) Unité d'intérieur
- (D) Capuchon
- (E) Kit de Jumelage extérieur
- (F) Collecteur

* La longueur totale de A1 et A2 est inférieure à 10 m [32 ft].

A

Unité : mm [in]

Modèle extérieur	Unité combinée		A		A1		A2	
	Unité 1	Unité 2	Tube de fluide	Tube de gaz	Tube de fluide	Tube de gaz	Tube de fluide	Tube de gaz
P72	-	-	ø12,7 [1/2]	ø19,05 [3/4]	-	-	-	-
P96	-	-	ø12,7 [1/2]	ø22,2 [7/8]	-	-	-	-
P144	P72	P72	ø15,88 [5/8]	ø28,58 [1-1/8]	ø12,7 [1/2]	ø19,05 [3/4]	ø12,7 [1/2]	ø19,05 [3/4]
P192	P96	P96	ø15,88 [5/8]	ø28,58 [1-1/8]	ø12,7 [1/2]	ø22,2 [7/8]	ø12,7 [1/2]	ø22,2 [7/8]

B,C,D

Unité : mm [in]

Capacité totale d'unités d'intérieur	Tube de fluide	Tube de gaz
~ 54	ø9,52 [3/8]	ø15,88 [5/8]
55 ~ 72	ø9,52 [3/8]	ø19,05 [3/4]
73 ~ 108	ø9,52 [3/8]	ø22,2 [7/8]
109 ~ 144	ø12,7 [1/2]	ø28,58 [1-1/8]
145 ~ 234	ø15,88 [5/8]	ø28,58 [1-1/8]

a,b,c,d,e

Unité : mm [in]

Numéro de modèle	Tube de fluide	Tube de gaz
06, 08, 12, 15, 18	ø6,35 [1/4]	ø12,7 [1/2]
24, 27, 30, 36, 48, 54	ø9,52 [3/8]	ø15,88 [5/8]
72	ø9,52 [3/8]	ø19,05 [3/4]
96	ø9,52 [3/8]	ø22,2 [7/8]

Total de modèle d'unité en aval	Joint
~ 72	CMY-Y102S-G2
73 ~ 144	CMY-Y102L-G2
145 ~ 234	CMY-Y202-G2
La 1ère branche de P144 ~ P234	

Collecteur 4 branches (Total de modèles d'unité intérieure en aval 72)	Collecteur 8 branches (Total de modèle d'unité intérieure en aval 144)	Collecteur 10 branches (Total de modèle d'unité intérieure en aval 234)
CMY-Y104-G	CMY-Y108-G	CMY-Y1010-G

Modèle extérieur	Kit de Jumelage extérieur
P144 ~ P192	CMY-Y100VBK2

Précautions pour les combinaisons d'unités extérieures

Reportez-vous à [Fig. 9.2.2] pour le positionnement des tubes de jumelage.

[Fig. 9.2.2]

<A> Assurez-vous que les tubes du tube de jumelage à l'unité extérieure sont clinés vers le bas (vers les tubes de jumelage).



 Quand la tuyauterie du côté de l'unité extérieure (du tube de jumelage) dépasse 2 m [6 ft], placez un siphon (**tube de gaz seulement**) à moins de 2 m [6 ft].
Veuillez à ce que la hauteur du siphon soit de 200 mm [7-7/8 in] ou plus.

S'il n'y a aucun siphon, l'huile peut s'accumuler à l'intérieur du tube, entraînant un manque d'huile qui peut endommager le compresseur.

(Unité : m [ft])



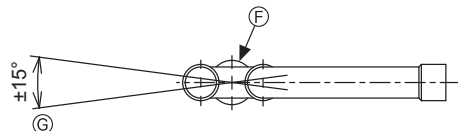
⚠ Attention :

- N'installez pas d'autres siphons que ceux entre les portes extérieures décrits sur un document séparé afin d'éviter retours d'huile et erreurs du démarrage du compresseur.
- N'installez pas de valves solénoïdes pour éviter retours d'huile et erreurs de démarrage du compresseur.
- N'installez pas de vitre d'observation car elle pourrait indiquer un flux réfrigérant erroné.
Si une vitre d'observation est installée, des techniciens inexpérimentés sont susceptibles de surcharger le réfrigérant.

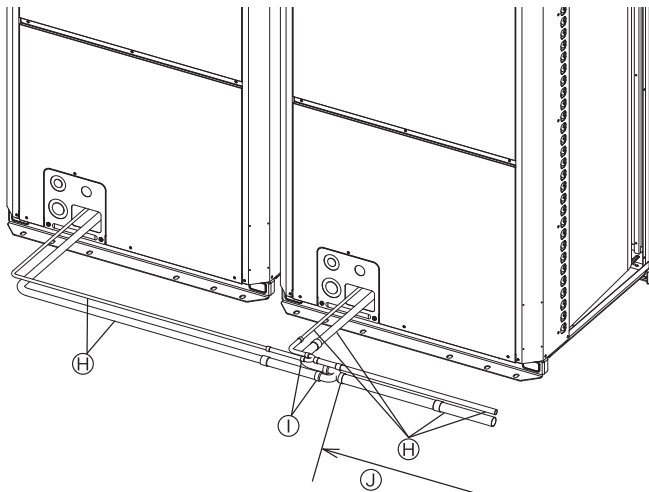
<C> Pente des tubes de jumelage

Assurez-vous que la pente des tubes de jumelage est sous un angle dans la plage $\pm 15^\circ$ par rapport au sol.

Si la pente excède l'angle indiqué, l'unité peut être endommagée.



<D> Exemple de connexion de tube



- | | | | | |
|-----------------------|---|-----------------------|------------------------------------|---|
| (A) Pente descendante | (B) Pente ascendante | (C) 1ère branche | (D) Siphon (tube de gaz seulement) | (E) À moins de 2 m [6 ft] |
| (F) Tube de jumelage | (G) La pente des tubes de jumelage est sous un angle compris dans la plage de $\pm 15^\circ$ par rapport au sol | (H) Tubes sur le site | (I) Kit de Jumelage | (J) Segment droit d'au moins 500 mm [19-11/16 in] d'un tube |

10. Charge supplémentaire de frigorigène

Au moment de l'expédition, l'unité extérieure est chargée de frigorigène. Cette charge n'inclut pas la quantité requise pour l'extension de tuyauterie et un remplissage supplémentaire de chaque ligne de frigorigène est requis sur le site. Pour que l'entretien puisse être correctement fourni à l'avenir, gardez toujours une note de la taille et de la longueur de chaque ligne de frigorigène et de la quantité de charge supplémentaire en l'inscrivant dans l'espace fourni sur l'unité extérieure.

10.1. Calcul de la charge supplémentaire de frigorigène

- Calculez la quantité de charge supplémentaire basée sur la longueur de l'extension de tuyauterie et la taille de la ligne de frigorigène.
- Utilisez le tableau ci-dessous comme guide pour calculer la quantité de charge supplémentaire et chargez le système en conséquence.
- Si le calcul a pour résultat une fraction de moins de 0,1 kg [4 oz] arrondissez jusqu'à 0,1 kg [4 oz] suivant. Par exemple, si le résultat du calcul est de 12,38 kg [437 oz], arrondissez le résultat à 12,4 kg [438 oz].

<Charge supplémentaire>

Charge supplémentaire de frigorigène (kg) [oz]	Taille de tube de fluide Longueur totale de ø19,05 mm [3/4 in]	Taille de tube de fluide Longueur totale de ø15,88 mm [5/8 in]	Taille de tube de fluide Longueur totale de ø12,7 mm [1/2 in]
	(m) × 0,29 (kg/m) (ft) × 3,12 (oz/ft)	(m) × 0,2 (kg/m) (ft) × 2,16 (oz/ft)	(m) × 0,12 (kg/m) (ft) × 1,30 (oz/ft)
	Taille de tube de fluide Longueur totale de ø9,52 mm [3/8 in]	Taille de tube de fluide Longueur totale de ø6,35 mm [1/4 in]	α
	(m) × 0,06 (kg/m) (ft) × 0,65 (oz/ft)	(m) × 0,024 (kg/m) (ft) × 0,26 (oz/ft)	

<Exemple>

Intérieur					
1: 48 A : ø12,7 mm [1/2 in]	40 m [131 ft]	a : ø9,52 mm [3/8 in]	10 m [32 ft]	} Aux conditions ci-dessous :	
2: 36 B : ø9,52 mm [3/8 in]	10 m [32 ft]	b : ø9,52 mm [3/8 in]	5 m [16 ft]		
3: 15 C : ø9,52 mm [3/8 in]	15 m [49 ft]	c : ø6,35 mm [1/4 in]	10 m [32 ft]		
4: 12 D : ø9,52 mm [3/8 in]	10 m [32 ft]	d : ø6,35 mm [1/4 in]	10 m [32 ft]		
5: 24		e : ø9,52 mm [3/8 in]	10 m [32 ft]		

La longueur totale de chaque ligne de fluide est la suivante :

ø12,7 mm [1/2 in]: A = 40 m [131 ft] = 40 m [131 ft]
 ø9,52 mm [3/8 in]: B + C + D + a + b + e
 = 10 m [32 ft] + 15 m [49 ft] + 10 m [32 ft] + 10 m [32 ft] + 5 m [16 ft] + 10 m [32 ft] = 60 m [193 ft]

ø6,35 mm [1/4 in]: c + d = 10 m [32 ft] + 10 m [32 ft] = 20 m [64 ft]

Par conséquent,

<Exemple de calcul>

Charge supplémentaire de frigorigène

= 40 m [131 ft] × 0,12 kg/m [1,30 oz/ft] + 60 m [193 ft] × 0,06 kg/m [0,65 oz/ft] + 20 m [64 ft] × 0,024 kg/m [0,26 oz/ft] + 3,5 kg [124 oz] = 12,4 kg [438 oz]

Valeur de α

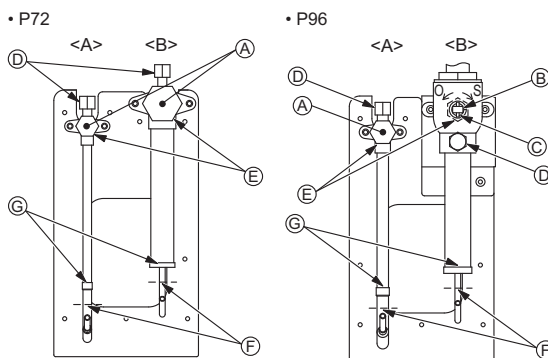
Capacité totale des unités intérieures connectées	α
Modèles ~ 27	2,0 kg [71 oz]
Modèles 28 ~ 54	2,5 kg [89 oz]
Modèles 55 ~ 126	3,0 kg [106 oz]
Modèles 127 ~ 144	3,5 kg [124 oz]
Modèles 145 ~ 180	4,5 kg [160 oz]
Modèles 181 ~ 234	5,0 kg [177 oz]
Modèles 235 ~	6,0 kg [212 oz]

10.2. Précautions concernant les connexions de la tuyauterie et le fonctionnement de la valve

- Les connexions de la tuyauterie et le fonctionnement de la valve doivent être exécutés soigneusement et avec précision.
- Retirer le tube de connexion rétréci**
Une fois expédié, un tube de connexion rétréci est attaché sur site aux valves haute et basse pression pour empêcher la fuite de gaz. Prenez les mesures suivantes ① à ④ pour retirer le tube de connexion rétréci avant de connecter les tubes de frigorigène à l'unité extérieure.
 - Vérifiez que la valve de frigorigène est complètement fermée (tournée à fond dans le sens horaire).
 - Branchez un tube de remplissage au port de service sur la valve basse-pression/haute-pression, et extrayez le gaz dans la section de tube située entre la valve de frigorigène et le tube de connexion rétréci.

- Après avoir évacué le gaz du tube de connexion rétréci, coupez le tube de connexion rétréci à l'endroit indiqué sur la [Fig.10.2.1] et vidangez le frigorigène.
- Après avoir terminé les étapes ② et ③, chauffez la section brasée pour enlever le tube de connexion rétréci.

[Fig. 10.2.1]



<A> [Valve (côté fluide/type brasé)]

 [Valve (côté gaz/type brasé)]

A

Axe
Complètement fermé à l'usine, en connectant la tuyauterie, et en créant un vide. Ouvrez entièrement après avoir complété ces opérations.

<Lors de l'ouverture>

- Tournez l'axe dans le sens anti-horaire avec une clef à six pans.

- Tournez l'axe jusqu'à ce qu'il s'arrête.

<Lors de la fermeture>

- Tournez l'axe dans le sens horaire avec une clef à six pans.

- Tournez l'axe jusqu'à ce qu'il s'arrête.

B

Axe
Complètement fermé à l'usine, en connectant la tuyauterie, et en créant un vide. Ouvrez entièrement après avoir complété ces opérations.

<Lors de l'ouverture>

- Tournez l'axe dans le sens contraire des aiguilles d'une montre.

- Tournez l'axe jusqu'à ce qu'il s'arrête.

<Lors de la fermeture>

- Tournez l'axe dans le sens des aiguilles d'une montre.

- Tournez l'axe jusqu'à ce qu'il s'arrête.

C

Barrette d'arrêt

Empêche l'axe de tourner à plus de 90°.

D

Port de service

Pour évacuer le gaz du tube de connexion rétréci ou de créer un vide dans les tubes de frigorigène sur le site.

E

Capuchon

Retirez le capuchon avant d'actionner l'axe. Soyez sûr de le remettre dans sa position initiale après avoir complété l'opération.

F

Partie de découpe du tube de connexion rétréci

G

Partie de brasage du tube de connexion rétréci

⚠ Avertissement :

- Les sections entre les valves de frigorigène et les tubes de connexion rétrécis sont remplies de gaz et d'huile frigorifique. Extrayez le gaz et l'huile frigorifique dans la section de tube susmentionnée avant de chauffer la section brasée pour retirer le tube de connexion rétréci de la valve de frigorigène.

- Si la section brasée est chauffée sans d'abord extraire le gaz et l'huile frigorifique, le tube peut éclater ou le tube de connexion rétréci peut exploser, enflammer l'huile frigorifique et causer des blessures sérieuses.

⚠ Attention :

- Placez une serviette humide sur la valve de frigorigène avant de chauffer la section brasée pour que la température de la valve ne dépasse pas 120°C [248°F].
- Dirigez la flamme à l'écart du câblage et des tôles à l'intérieur de l'unité pour empêcher les dommages causés par la chaleur.

⚠ Attention :

- **N'évacuez pas le R410A dans l'atmosphère.**

- **Connexion du tube de frigorigène**

Ce produit nécessite des tuyaux de connexion pour la tuyauterie vers l'avant et la tuyauterie vers le bas (vendu séparément). (Reportez-vous à la [Fig.10.2.2])

Contrôlez les dimensions de la tuyauterie de fluide/gaz avant de connecter le tube de frigorigène.

Reportez-vous au système de tuyauterie du frigorigène en 9.2 pour des dimensions de la tuyauterie.

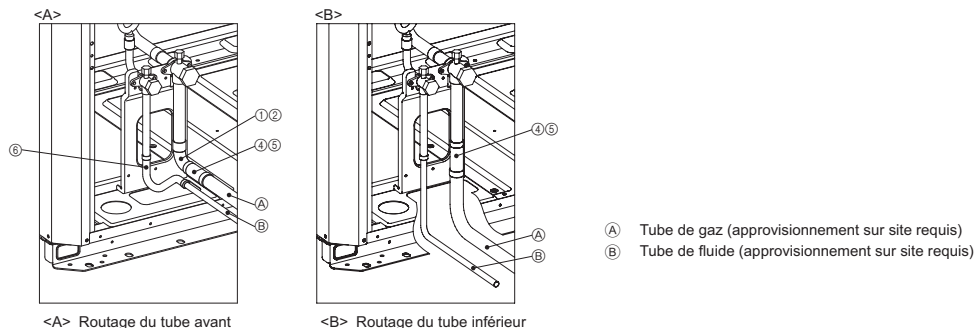
Assurez-vous que le tube de frigorigène ne touche pas d'autres tubes de frigorigène, des panneaux de l'unité ou des plaques de base.

Soyez sûr d'utiliser un brasage non-oxydant pour la connexion des tubes.

Veillez à ne pas brûler le câblage et la plaque lors du brasage.

<Exemples de connexion de la tuyauterie du frigorigène>

[Fig.10.2.2]



<Tuyaux vers l'avant et tuyaux vers le bas> (Vendus séparément)

(Unité : mm [in])

No.	①	②	③	④	⑤	⑥
Forme	 ID \varnothing 25,4 [1] OD \varnothing 25,4 [1] <Côté gaz>	 ID \varnothing 28,58 [1-1/8] OD \varnothing 28,58 [1-1/8] <Côté gaz>	 OD \varnothing 9,52 [3/8] ID \varnothing 12,7 [1/2] <Côté fluide>	 OD \varnothing 19,05 [3/4] ID \varnothing 25,4 [1] <Côté gaz>	 OD \varnothing 22,2 [7/8] ID \varnothing 28,58 [1-1/8] <Côté gaz>	 ID \varnothing 12,7 [1/2] OD \varnothing 12,7 [1/2] <Côté fluide>
P72 (CMY-HYS100UEB)	1pc.			1pc.		1pc.
P96 (CMY-YS300UEB)		1pc.	1pc.		1pc.	1pc.

- **Routage du tube avant**

Côté fluide	P72, P96	Utilisez le tube de connexion ⑥ inclus pour connecter.
Côté gaz	P72	Utilisez le coude de connexion ① et le tube de connexion ④ inclus pour connecter.
	P96	Utilisez le coude de connexion ② et le tube de connexion ⑤ inclus pour connecter.

- **Routage du tube inférieur**

Côté fluide	P72, P96	Étendez la tuyauterie attachée au site côté fluide (Diam. int. \varnothing 12,7mm [1/2 in]) et connectez au tube de connexion de la valve de frigorigène.
Côté gaz	P72	Utilisez le tube de connexion ④ inclus pour connecter.
	P96	Utilisez le tube de connexion ⑤ inclus pour connecter.

Respectez la profondeur minimum d'insertion indiquée dans le tableau ci-dessous quand vous étendez la tuyauterie attachée au site.

Diamètre de tube (mm [in])	Épaisseur d'insertion minimale (mm [in])
5 [7/32] ou plus, moins de 8 [11/32]	6 [1/4]
8 [11/32] ou plus, moins de 12 [1/2]	7 [9/32]
12 [1/2] ou plus, moins de 16 [21/32]	8 [11/32]
16 [21/32] ou plus, moins de 25 [1]	10 [13/32]
25 [1] ou plus, moins de 35 [1-13/32]	12 [1/2]
35 [1-13/32] ou plus, moins de 45 [1-25/32]	14 [9/16]

- Après évacuation et chargement de frigorigène, assurez-vous que la poignée est complètement ouverte. En fonctionnant avec la valve fermée, une pression anormale est exercée sur le côté haute ou basse pression du circuit frigorifique, endommageant le compresseur, la valve à quatre voies, etc.
- Déterminez le volume de charge supplémentaire de frigorigène en utilisant la formule, et chargez le frigorigène supplémentaire par le port de service après avoir terminé les travaux de connexion de la tuyauterie.
- Après avoir terminé les travaux, serrez le port de service et le capuchon afin de prévenir toute fuite de gaz. (Référez-vous au tableau ci-dessous pour le couple de serrage approprié.)

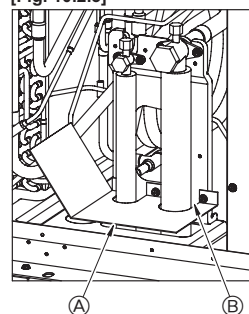
Couple de serrage approprié :

Diamètre extérieur du tube en cuivre (mm [in])	Capuchon (N-m/kg-cm)	Axe (N-m/kg-cm)	Taille de la clé hexagonale (mm)	Port de service (N-m/kg-cm)
\varnothing 9,52 [3/8]	15/150	6/60	4	12/120
\varnothing 12,7 [1/2]	20/200	9/90	4	
\varnothing 15,88 [5/8]	25/250	15/150	6	
\varnothing 19,05 [3/4]	25/250	30/300	6	
\varnothing 25,4 [1]	25/250	30/300	10	
\varnothing 28,58 [1-1/8]	25/250	-	-	

⚠ Attention :

- Maintenez la valve fermée jusqu'à ce que le chargement de frigorigène supplémentaire dans les tubes ait été complété. L'ouverture de la valve avant de charger le frigorigène peut endommager l'unité.
- N'utilisez pas d'additif de détection de fuite.

[Fig. 10.2.3]



- ① Exemple de matériaux de scellement (approvisionnement sur site)
- ② Remplissez l'espace vide sur le site

Veillez à sceller l'espace autour des zones où les câbles et les tubes de frigorigène entrent dans l'appareil de manière à ce que les petits animaux, l'eau de pluie ou la neige ne puissent pas pénétrer par de telles ouvertures et endommager l'appareil.

⚠ Attention :

Veillez à sceller les ouvertures permettant de raccorder les tubes de frigorigène et les câbles à l'unité.

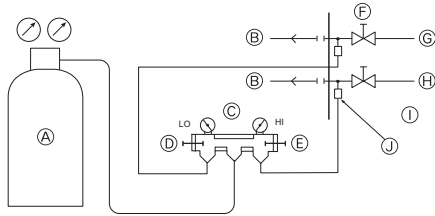
- Les petits animaux, l'eau de pluie ou la neige pénétrant par les ouvertures peuvent endommager l'appareil.

10.3. Test d'herméticité, évacuation et chargement de frigorigène

① Test d'herméticité

Exécutez avec la valve de l'unité extérieure fermée, et pressurisez la tuyauterie de connexion et l'unité intérieure depuis le port de service fourni sur la valve de l'unité extérieure. (Pressurisez toujours depuis les ports de service du tube de fluide et du tube de gaz.)

[Fig. 10.3.1]



- A Azote
- B À l'unité intérieure
- C Analyseur de système
- D Bouton bas
- E Bouton haut
- F Valve
- G Tube de fluide
- H Tube de gaz
- I Unité extérieure
- J Port de service

Observez les restrictions suivantes en effectuant un test d'étanchéité à l'air pour empêcher les effets négatifs sur l'huile réfrigérante. En outre, avec le réfrigérant nonazéotropique (R410A), une fuite de gaz fait changer la composition et affecte la performance. Réalisez par conséquent l'essai d'herméticité avec précaution.

Méthode d'essai d'herméticité	Restriction
<p>(1) Après application de la pression théorique (4,15 MPa [602 psi]) avec de l'azote, laissez en place pendant environ une journée. Si la pression ne chute pas, l'herméticité est bonne. Cependant, si la pression chute, étant donné que le point de fuite est inconnu, le test de bulles suivant peut également être exécuté.</p> <p>(2) Après avoir effectué la pressurisation décrite ci-dessus, arrosez les pièces de connexion évasées, les pièces brasées et autres pièces qui peuvent fuir avec un agent de barbotage (Gupoflex, etc.) et voyez si des bulles apparaissent.</p> <p>(3) Après le test d'herméticité, éliminez l'agent de barbotage.</p>	<ul style="list-style-type: none"> • Si un gaz inflammable ou l'air (oxygène) est utilisé comme gaz de pressurisation, il peut s'enflammer ou exploser.

⚠ Attention :

Utilisez uniquement le frigorigène R410A.

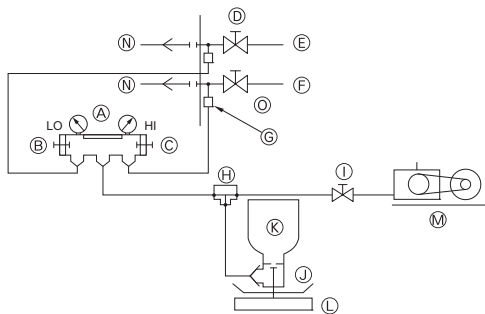
- L'utilisation d'autres réfrigérants tels que le R22 ou le R407C, qui contiennent du chlore, détériore l'huile réfrigérante ou provoque une dysfonction du compresseur.

② Évacuation

Évacuez avec la valve de l'unité extérieure fermée et évacuez en même temps la tuyauterie de connexion et l'unité intérieure depuis le port de service fourni sur la valve de l'unité extérieure à l'aide d'une pompe à vide. (Évacuez toujours depuis le port de service du tube de fluide et du tube de gaz.) Après que le vide ait atteint 650 Pa [abs] [0,0943 psi/5 Torr], continuez l'évacuation pendant au moins une heure. Arrêtez ensuite la pompe à vide et laissez-la pendant une heure. Vérifiez que le degré de vide n'a pas augmenté. (Si le degré d'augmentation du vide est supérieur à 130 Pa [0,01886 psi/1,0 Torr], de l'eau pourrait avoir pénétré. Appliquez une pression d'azote sec jusqu'à 0,05 MPa [7,25 psi] et appliquez de nouveau le vide.) Pour finir, scellez avec le frigorigène liquide à travers le tube de fluide et ajustez la tuyauterie de gaz pour obtenir une quantité appropriée de frigorigène pendant le fonctionnement.

* N'exécutez jamais de purge d'air à l'aide du frigorigène.

[Fig. 10.3.2]



- A Analyseur de système
- B Bouton bas (LO)
- C Bouton haut (HI)
- D Valve
- E Tube de fluide
- F Tube de gaz
- G Port de service
- H Joint à trois voies
- I Valve
- J Valve
- K Cylindre de R410A
- L Échelle
- M Pompe à vide
- N À l'unité intérieure
- O Unité extérieure

Remarque :

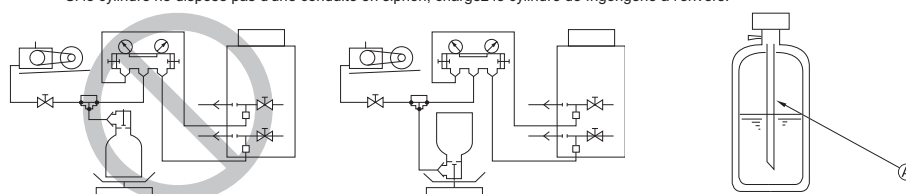
- Ajoutez toujours une quantité appropriée de frigorigène. En outre, chargez toujours le système avec du frigorigène liquide.
 - Utilisez un manomètre de pression, un tuyau flexible de charge, et d'autres pièces pour le frigorigène indiquées sur l'unité.
 - Utilisez un gravimètre. (Un modèle qui peut mesurer jusqu'à 0,1 kg [3 oz].)
 - Utilisez une pompe à vide avec clapet anti-retour de flux inverse.
- (Manomètre à vide recommandé : manomètre à vide Thermistor ROBINAIR 14830A)
Utilisez en outre un manomètre à vide qui atteint 65 Pa [abs] [0,00943 psi/0,5 Torr] ou en dessous après avoir fonctionné pendant cinq minutes.

③ Chargement du frigorigène

Puisque le réfrigérant utilisé avec l'unité est nonazéotropique, il doit être chargé à l'état liquide. En conséquence, en chargeant le frigorigène à partir d'un cylindre, si ce cylindre n'a pas de tube siphon, chargez le frigorigène liquide en tournant le cylindre à l'envers tel qu'illustré sur la Fig.10.3.3. Si le cylindre a un tube siphon comme illustré la droite de la Fig.10.3.3, le frigorigène liquide peut être chargé avec le cylindre debout. Portez par conséquent une attention particulière aux caractéristiques du cylindre. Si l'unité est chargée de gaz frigorigène, remplacez tout le frigorigène avec un nouveau frigorigène. N'utilisez pas le frigorigène restant dans le cylindre.

[Fig. 10.3.3]

<Si le cylindre ne dispose pas d'une conduite en siphon, chargez le cylindre de frigorigène à l'envers.>



A Tuyau siphon

11. Câblage (pour les détails, reportez-vous au manuel d'installation de chaque unité intérieure/extérieure et du contrôleur)

11.1. Mise en garde

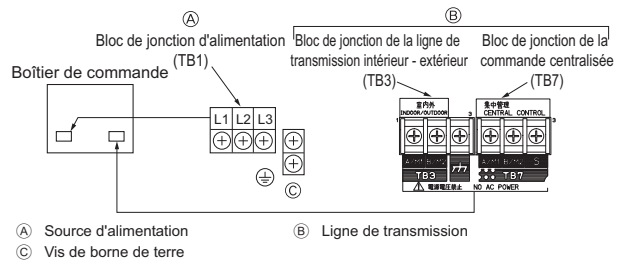
- ① Observez les règlements de votre organisation gouvernementale pour les normes techniques relatives aux équipements électriques, câblages et directives de chaque compagnie d'électricité.
- ② Le câblage des commandes (désigné ci-après sous le nom de ligne de transmission) doit être (de 5 cm ou plus [2 in ou plus]) séparé du câblage d'alimentation de sorte qu'il ne soit pas influencé par le bruit électrique du câblage d'alimentation (ne pas insérer une ligne de transmission et un câble d'alimentation dans le même conduit).
- ③ L'appareil extérieur doit être correctement relié à la terre.
- ④ Laissez une longueur de câble suffisante pour les câbles des boîtiers électriques des unités intérieures et extérieures car ces boîtiers peuvent être retirés lors des travaux d'entretien.
- ⑤ Ne connectez jamais la source principale d'alimentation au bloc de jonction de la ligne de transmission. Autrement, les éléments électriques pourraient griller.
- ⑥ Utilisez un câble blindé à deux âmes pour la ligne de la transmission. Si les lignes de transmission de différents systèmes sont câblées avec le même câble à âmes multiples, la mauvaise transmission et réception qui en découle provoquera un mauvais fonctionnement des appareils.
- ⑦ Seule la ligne de transmission spécifiée doit être reliée aux bloc de jonction de la transmission de l'appareil extérieur. Une mauvaise connexion empêche le système de fonctionner.
- ⑧ Si vous connectez les unités extérieures avec un contrôleur système ou si vous exploitez plusieurs unités intérieures reliées à différentes unités extérieures, une ligne de transmission permettant un contrôle centralisé est requise. Si vous assurez un contrôle centralisé via une ligne de transmission, reliez la ligne de transmission (câble à 2 fils non polaire) à toutes les bornes TB7 situées entre toutes les unités extérieures.
- ⑨ La définition de le groupement se fait par le biais de la télécommande.

11.2. Boîtier de commande et emplacement pour le raccordement des câbles

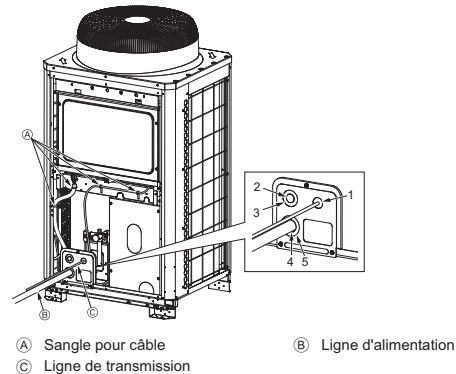
① Unité extérieure

1. Retirez le panneau avant du boîtier de commande en retirant les 4 vis et en le poussant légèrement vers le haut avant de le sortir.
2. Connectez la ligne de transmission intérieur - extérieur au bloc de jonction (TB3).
Si plusieurs appareils extérieurs sont connectés au sein du même système frigorifique, connectez en série TB3 (borne M1, M2 et la borne de terre ⚡) sur les appareils extérieurs. Connectez la ligne de transmission intérieur-extérieur pour les unités extérieures à TB3 (borne M1, M2 et la borne de terre ⚡) de seulement l'une des unités extérieures.
3. Connectez les lignes de transmission pour la commande centralisée (entre le système de commande centralisée et l'appareil extérieur de différents systèmes frigorifiques) au bloc de jonction de la commande centralisée (TB7).
Si plusieurs appareils extérieurs sont connectés au même système frigorifique, connectez en série TB7 (borne M1, M2, S) sur les appareils extérieurs. (*1)
*1 : Si TB7 sur l'unité extérieure au sein du même système frigorifique n'est pas connecté en série, connectez la ligne de transmission pour la commande centralisée à TB7 sur l'OC (*2). Si l'OC est en panne, ou si la commande centralisée est exploitée pendant l'interruption d'alimentation, connectez en série le TB7 sur l'OC et l'OS (au cas où l'unité extérieure dont le connecteur d'alimentation CN41 sur le panneau de commande a été remplacé par un CN40, court-circuitez la borne blindée (S) et la borne de terre ⚡ en plus de ce qui précède).
- *2 OC et OS des appareils extérieurs au sein du même système frigorifique sont automatiquement identifiés. Ils sont identifiés comme OC et OS dans l'ordre décroissant de capacité (si la capacité est identique, ils sont classés dans l'ordre ascendant de leur numéro d'adresse).
4. Dans le cas de la ligne de transmission intérieur-extérieur, connectez le câble blindé de terre à la borne de terre ⚡. Dans le cas de la ligne de transmission pour la commande centralisée, connectez-la à la borne blindée (S) sur le bloc de jonction pour la commande centralisée (TB7). En outre, dans le cas des unités extérieures dont le connecteur d'alimentation CN41 a été remplacé par un CN40, court-circuitez la borne blindée (S) et la borne de terre ⚡ en plus de ce qui précède.
5. Attachez solidement les fils connectés à l'aide de la sangle de câble en bas du bloc de jonction. La force externe appliquée au bloc de jonction peut l'endommager et provoquer un court-circuit, un défaut de mise à la terre ou un incendie.

[Fig. 11.2.1]



[Fig. 11.2.2]



- Si vous utilisez un câble AWG 6, utilisez un orifice défonçable 4.
 - Si vous utilisez un câble AWG 4, AWG 3, AWG 2 ou AWG 1, utilisez un orifice défonçable 2.
 - Si vous utilisez un câble AWG 0, AWG 1/2 ou AWG 3/8, utilisez un orifice défonçable 5.
 - En cas d'espace autour des câbles, veillez à le remplir d'un matériau approprié.
- ② Installation des conduits
- Terminez en martelant les orifices à dégager pour le conduit situé sur la base et la partie inférieure du panneau avant.
 - Quand vous installez le conduit directement à travers l'orifice à dégager, retirez les ébarbures et protégez le tube à l'aide de bande-cache.
 - Utilisez le conduit pour rétrécir l'orifice s'il est possible que des petits animaux pénètrent dans l'unité.

11.3. Raccordement des câbles de transmission

① Types de câbles de commande

1. Raccordement des câbles de transmission

- Types de câbles de transmission : Fil blindé CVVS, CPEVS ou MVVS
- Diamètre de câble : supérieur à 1,25 mm² [AWG 16]
- Longueur maximale de câblage : pas plus de 200 m [656 ft]
- Longueur maximale des lignes de transmission pour la commande centralisée et lignes de transmission intérieur/extérieur (longueur maximale par l'intermédiaire des unités extérieures) : 500 m [1640 ft] maximum
La longueur maximale du câblage entre le bloc d'alimentation pour des lignes de transmission (sur les lignes de transmission pour la commande centralisée) et chaque appareil extérieur et contrôleur de système est de 200 m [656 ft].

2. Câbles de la télécommande

• Télécommande M-NET

Type de câble de télécommande	Câble gainé à 2 âmes CVV (non blindé)
Diamètre du câble	0,3 à 1,25 mm ² [AWG 22 à 16] (0,75 à 1,25 mm ² [AWG 18 à 16])*
Remarques	Quand les 10 m [32 ft] sont dépassés, utilisez le câble avec les mêmes caractéristiques que 1. Raccordement des câbles de transmission.

• Télécommande MA

Type de câble de télécommande	Câble gainé à 2 âmes CVV (non blindé)
Diamètre du câble	0,3 à 1,25 mm ² [AWG 22 à 16] (0,75 à 1,25 mm ² [AWG 18 à 16])*
Remarques	À moins de 200 m [656 ft]

* Connecté avec télécommande simple.

② Exemples de câblage

- Nom du contrôleur, symbole et nombre possible de contrôleurs.

	Nom	Code	Connexions d'appareils possibles
Appareil extérieur	Unité principale	OC	- (*2)
	Unité secondaire	OS	- (*2)
Appareil intérieur	Contrôleur de l'appareil intérieur	IC	1 à 32 appareils pour 1 OC (*1)
Télécommande	Télécommande (*1)	RC	2 appareils maximum par groupe
Autre	Module éleveur du niveau des signaux de transmission	RP	0 à 1 appareil pour 1 OC (*1)

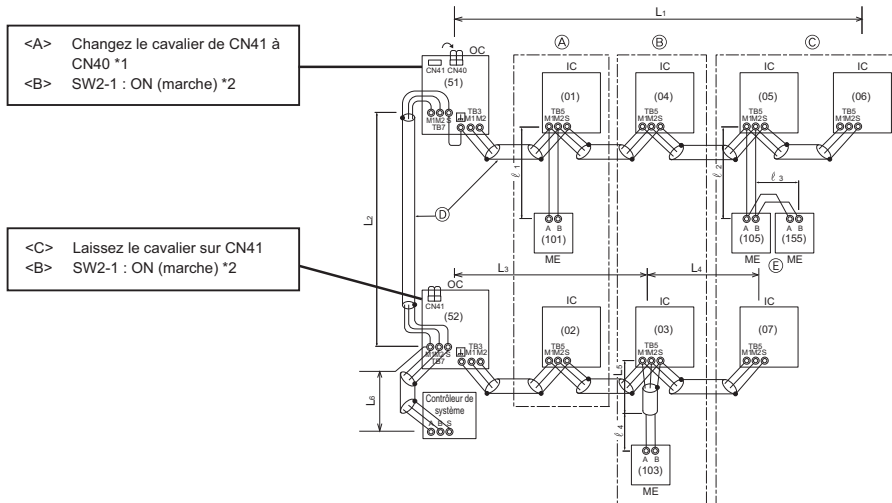
*1 En fonction du nombre de contrôleurs d'appareils intérieurs raccordés, un module éleveur du niveau des signaux de transmission (RP) peut s'avérer nécessaire.

*2 OC et OS des appareils extérieurs dans le même système frigorifique sont automatiquement identifiés. Ils sont identifiés comme OC et OS dans l'ordre décroissant de capacité. (Si la capacité est identique, ils sont classés dans l'ordre ascendant de leur numéro d'adresse.)

Exemple de système d'exploitation avec plusieurs appareils extérieurs (il est nécessaire d'utiliser des câbles blindés et de définir les adresses).

<Exemples de câblage de transmission>

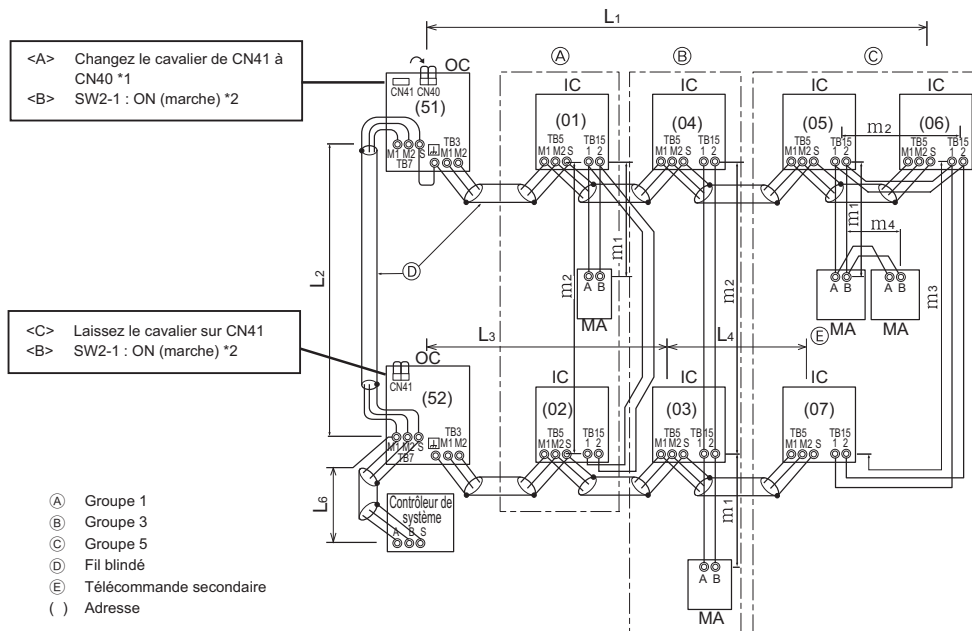
[Fig. 11.3.1] Télécommande M-NET



*1 : Quand l'alimentation n'est pas connectée à la ligne de transmission pour la commande centralisée, débranchez le connecteur mâle de l'alimentation (CN41) sur UN appareil extérieur du système et connectez-le à CN40.

*2 : Si un contrôleur de système est utilisé, réglez SW2-1 sur tous les appareils extérieurs sur ON (marche).

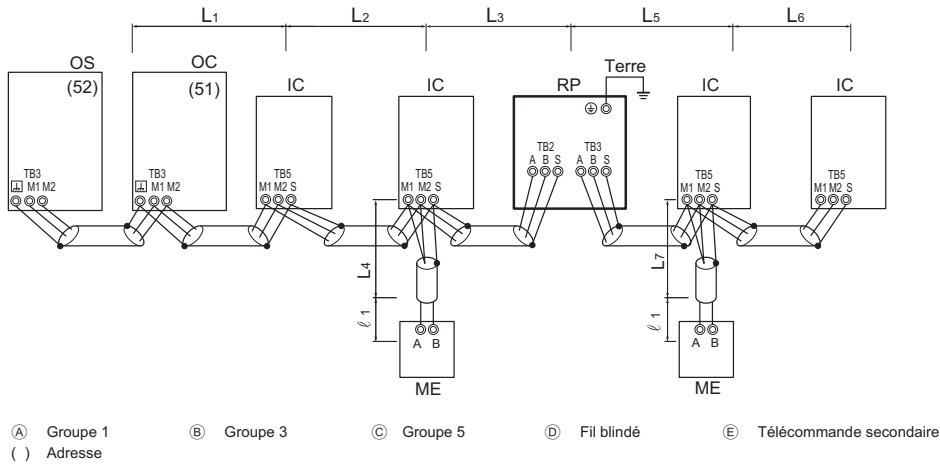
[Fig. 11.3.2] Télécommande MA



*1 : Quand l'alimentation n'est pas connectée à la ligne de transmission pour la commande centralisée, débranchez le connecteur mâle de l'alimentation (CN41) sur UN appareil extérieur du système et connectez-le à CN40.

*2 : Si un contrôleur de système est utilisé, réglez SW2-1 sur tous les appareils extérieurs sur ON (marche).

[Fig. 11.3.3] Combinaison d'appareils extérieurs et de module élévateur du niveau des signaux de transmission



<Méthode de câblage et définition des adresses>

- Utilisez toujours des câbles blindés pour effectuer les connexions entre l'appareil extérieur (OC) et l'appareil intérieur (IC), ainsi que pour les intervalles de câblage OC-OC, OC-OS et IC-IC.
 - Utilisez des câbles d'alimentation pour raccorder les terminaux M1 et M2 et la borne de terre \perp du câble de transmission du bloc terminal (TB3) de chaque appareil extérieur (OC) aux bornes M1, M2 et S des câbles de transmission du bloc de l'appareil intérieur (IC). Pour OC et OS, connectez TB3 à TB3.
 - Raccordez les bornes 1 (M1) et 2 (M2) du bloc terminal des câbles de transmission de l'appareil intérieur (IC) qui possède l'adresse la plus récente au sein d'un même groupe au bloc terminal de la télécommande (RC).
 - Connectez ensemble les bornes M1, M2 et S du bloc terminal pour la commande centrale (TB7) de l'appareil extérieur (OC) dans un système frigorifique différent. Pour OC et OS dans le même système frigorifique, connectez TB7 à TB7.
 - Quand l'alimentation n'est pas installée sur la ligne de transmission de la commande centrale, changez le cavalier sur le panneau de commandes de CN41 à CN40 sur un seul appareil extérieur du système.
 - Sur l'appareil extérieur (OC) dans lequel le cavalier est inséré dans la borne CN40 (voir le point e ci-dessus), raccordez la borne S du bloc terminal pour la commande centrale (TB7) à la borne de terre \perp du boîtier des composants électriques.
 - Réglez le commutateur d'adresses comme indiqué ci-dessous.
- * Pour régler l'adresse de l'appareil extérieur sur 100, le commutateur d'adresse extérieure doit se trouver sur 50.

Appareil	Plage	Méthode de réglage
Appareil intérieur (Principal)	01 à 50	Utilisez l'adresse la plus récente au sein du même groupe d'appareils intérieurs
Appareil intérieur (Secondaire)	01 à 50	Utilisez une adresse, autre que celle de IC (principale), parmi les unités d'un même groupe d'appareils intérieurs. Celle-ci doit se trouver en séquence avec IC (principale)
Appareil extérieur (OC, OS)	51 à 100	Réglez les adresses des appareils extérieurs du même système frigorifique dans l'ordre séquentiel des numéros. OC et OS sont automatiquement identifiés. (*1)
M-NET R/C (principal)	101 à 150	Réglez sur une adresse IC (principale) au sein du même groupe plus 100
M-NET R/C (secondaire)	151 à 200	Réglez sur une adresse IC (principale) au sein du même groupe plus 150
MA R/C	-	Définition inutile d'adresse (définition principale/secondaire nécessaire)

- Les opérations de réglage groupé pour des appareils intérieurs multiples s'effectuent par le biais de la télécommande (RC) après la mise sous tension.
 - Quand la télécommande centralisée est connectée au système, réglez les commutateurs de commande centralisée (SW2-1) sur les panneaux de commandes de tous les appareils extérieurs (OC, OS) sur "ON" (marche).
- *1 OC et OS des appareils extérieurs dans le même système frigorifique sont automatiquement identifiés. Ils sont identifiés comme OC et OS dans l'ordre décroissant de capacité (si la capacité est identique, ils sont identifiés dans l'ordre ascendant de leur numéro d'adresse).

<Longueurs possibles>

① **Télécommande M-NET**

- Longueur maxi par l'intermédiaire des appareils extérieurs : $L_1+L_2+L_3+L_4$ et $L_1+L_2+L_3+L_5$ et $L_1+L_2+L_6 \leq 500$ m [1640 ft] (1,25 mm² [AWG 16] ou plus)
- Longueur maxi du câble de transmission : L_1 et L_3+L_4 et L_3+L_5 et L_6 et $L_2+L_6 \leq 200$ m [656 ft] (1,25 mm² [AWG 16] ou plus)
- Longueur du câble de télécommande : $\ell_1, \ell_2, \ell_3, \ell_4 \leq 10$ m [32 ft] (0,3 à 1,25 mm² [AWG 22 à 16])
Si la longueur excède 10 m [32 ft], utilisez un fil blindé de 1,25 mm² [AWG 16]. La longueur de cette section (L_8) doit être incluse dans le calcul de la longueur maximale et de la longueur globale.

② **Télécommande MA**

- Longueur maxi par l'intermédiaire de l'appareil extérieur (câble M-NET) : $L_1+L_2+L_3+L_4$ et $L_1+L_2+L_6 \leq 500$ m [1640 ft] (1,25 mm² [AWG 16] ou plus)
- Longueur maxi du câble de transmission (câble M-NET) : L_1 et L_3+L_4 et L_6 et $L_2+L_6 \leq 200$ m [656 ft] (1,25 mm² [AWG 16] ou plus)
- Longueur du câble de télécommande : m_1+m_2 et $m_1+m_2+m_3+m_4 \leq 200$ m [656 ft] (0,3 à 1,25 mm² [AWG 22 à 16])

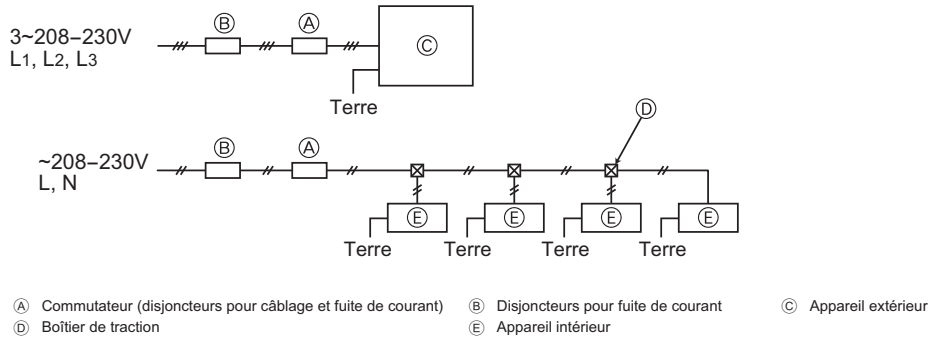
③ **Élévateur du niveau des signaux de transmission**

- Longueur maxi du câble de transmission (câble M-NET) : ① $L_1+L_2+L_3+L_5+L_6 \leq 200$ m [656 ft] (1,25 mm² [AWG 16])
② $L_1+L_2+L_3+L_5+L_7 \leq 200$ m [656 ft] (1,25 mm² [AWG 16])
③ $L_1+L_2+L_4 \leq 200$ m [656 ft] (1,25 mm² [AWG 16])
④ $L_6+L_5+L_3+L_4, L_4+L_3+L_5+L_7 \leq 200$ m [656 ft] (1,25 mm² [AWG 16])
- Longueur du câble de télécommande : $\ell_1, \ell_2 \leq 10$ m [32 ft] (0,3 à 1,25 mm² [AWG 22 à 16])
Si la longueur excède 10 m [32 ft], utilisez un fil blindé de 1,25 mm² [AWG 16] et calculez la longueur de cette section (L_4 et L_7) au sein de la longueur maximale totale et de la longueur vers l'appareil le plus distant.

11.4. Câblage de l'alimentation principale et capacité des équipements

Schéma du câblage (exemple)

[Fig. 11.4.1]



Épaisseur de câbles pour l'alimentation électrique principale, capacités Marche/Arrêt

<Source d'alimentation: 208/230V>

	Modèle	Unité combinée	Épaisseur minimale de câble (mm ² [AWG])			Commutateur (A)		Disjoncteur pour le câblage (NFB) (A)	Disjoncteur pour fuite de courant	MCA (A)	MOCP (A)
			Câble principal	Dérivation	Terre	Capacité	Fusible				
Appareil extérieur	PUHY-HP72TJMU-A		21,2 [4] / 13,3 [6]	—	21,2 [4] / 13,3 [6]	60	60	60	60A 100mA 0,1 s ou moins	59/54	101/92
	PUHY-HP96TJMU-A		33,6 [2] / 21,2 [4]	—	33,6 [2] / 21,2 [4]	75	75	75	75A 100mA 0,1 s ou moins	74/68	127/116
	PUHY-HP144TSJMU-A	PUHY-HP72TJMU-A	21,2 [4] / 13,3 [6]	—	21,2 [4] / 13,3 [6]	60	60	60	60A 100mA 0,1 s ou moins	59/54	101/92
		PUHY-HP72TJMU-A	21,2 [4] / 13,3 [6]	—	21,2 [4] / 13,3 [6]	60	60	60	60A 100mA 0,1 s ou moins	59/54	101/92
	PUHY-HP192TSJMU-A	PUHY-HP96TJMU-A	33,6 [2] / 21,2 [4]	—	33,6 [2] / 21,2 [4]	75	75	75	75A 100mA 0,1 s ou moins	74/68	127/116
		PUHY-HP96TJMU-A	33,6 [2] / 21,2 [4]	—	33,6 [2] / 21,2 [4]	75	75	75	75A 100mA 0,1 s ou moins	74/68	127/116

- Utilisez une alimentation séparée pour l'appareil extérieur et pour l'appareil intérieur. Assurez que l'OC et l'OS sont câblés individuellement.
- Tenez toujours compte des conditions ambiantes (température ambiante, rayons solaires directs, pluie, etc.) lors du câblage et des raccordements.
- Les dimensions des câbles données correspondent à la valeur minimum pour le câblage du conduit métallique. Si la tension chute, utilisez un câble qui a un diamètre plus épais.
Assurez-vous que la tension d'alimentation ne tombe pas de plus de 10 %.
- Les conditions spécifiques de câblage doivent se conformer aux règlements de câblage locaux.
- Les cordons d'alimentation des éléments des équipements utilisés à l'extérieur ne pourront pas répondre à des spécifications inférieures à celles du cordon souple gainé en polychloroprène (norme 245 IEC57). Par exemple, utilisez un câblage tel que le YZW.
- Un commutateur avec une séparation de contact d'au moins 3 mm [1/8 in] dans chaque pôle doit être fourni par l'installateur du climatiseur.

⚠ Avertissement :

- Soyez sûr d'utiliser les câbles spécifiés pour les connexions et veillez à ce qu'aucune force externe ne soit transmise aux bornes de connexion. Si les connexions ne sont pas fermement réalisées, un échauffement ou un incendie peut en résulter.
- Soyez sûr d'utiliser le type approprié de commutateur de protection de surintensité. Notez que la surintensité produite peut inclure une certaine quantité de courant continu.

⚠ Attention :

- Un disjoncteur pour fuite de courant doit être joint à l'alimentation. Si aucun disjoncteur de fuite à la terre n'est installé, il existe un risque de décharge électrique.
- N'utilisez pas de disjoncteur et de fusible de capacité incorrecte. Utiliser un fusible ou un câble de trop grande capacité peut causer un défaut de fonctionnement ou un incendie.

12. Essai de fonctionnement/Fonctionnement type d'une unité

Les phénomènes répertoriés dans le tableau ci-dessous sont normaux ; ils ne constituent pas des problèmes de fonctionnement.

Phénomènes	Affichage sur la télécommande	Cause
Une unité intérieure spécifique n'exécute pas le refroidissement ou le chauffage.	"Refroidissement" ou "Chauffage" clignote	Lorsqu'une autre unité intérieure exécute le refroidissement ou le chauffage, le refroidissement ou le chauffage de l'unité intérieure concernée est désactivé.
Le papillon automatique peut changer automatiquement le sens de circulation de l'air.	Affichage normal	Le papillon automatique peut basculer automatiquement la circulation de l'air verticale sur la circulation de l'air horizontale en mode de refroidissement si la circulation de l'air verticale a été utilisée pendant 1 heure. Pendant le dégivrage en mode de chauffage ou immédiatement après la mise en route/l'arrêt du chauffage, le papillon automatique peut revenir en circulation de l'air horizontale pendant une courte période.
La vitesse du ventilateur change automatiquement pendant le chauffage.	Affichage normal	Le ventilateur fonctionne très lentement lorsque le thermostat est désactivé ; il bascule automatiquement sur la valeur prééglée via le minuteur ou la température du frigorigène lorsque le thermostat est désactivé.
Le ventilateur s'arrête pendant le chauffage.	Affichage de dégivrage	Le ventilateur doit être éteint lorsque l'unité est en mode de dégivrage.
Le ventilateur ne s'arrête pas si l'unité ne fonctionne pas.	Aucun affichage	En mode de chauffage, le ventilateur continue de tourner pendant 1 minute après l'arrêt pour évacuer la chaleur résiduelle.
Au démarrage en mode de chauffage, il est impossible de régler le ventilateur manuellement	Chauffage prêt	Le ventilateur fonctionne automatiquement en vitesse très lente pendant 5 minutes après la mise sous tension du système ou jusqu'à ce que la température du frigorigène atteigne 35°C [95°F]. Il fonctionne ensuite lentement pendant 2 minutes une fois la température recherchée atteinte.
La télécommande de l'unité intérieure affiche "H0" ou "PLEASE WAIT" pendant 5 minutes après la mise sous tension.	"H0" ou "PLEASE WAIT" clignote	Le système exécute la séquence de fonctionnement initiale. La télécommande sera encore opérationnelle lorsque "H0" ou "PLEASE WAIT" cessera de clignoter ou disparaîtra.
La pompe de drainage continue de fonctionner après l'arrêt de l'unité.	Aucun affichage	Après l'arrêt du refroidissement, l'unité continue de commander la pompe de drainage pendant 3 minutes, puis l'arrête. L'unité continue également de commander la pompe de drainage si le condensat a été généré.
L'unité intérieure émet un bruit en basculant du chauffage au refroidissement et inversement.	Affichage normal	Ce bruit indique que le circuit du frigorigène fonctionne correctement.
Immédiatement après la mise en route, l'unité intérieure émet le bruit de l'écoulement du frigorigène.	Affichage normal	L'écoulement instable du frigorigène émet un bruit. Ceci est provisoire et n'indique pas un problème.
De l'air chaud provient d'une unité intérieure qui n'exécute pas de chauffage.	Affichage normal	Le LEV est légèrement ouvert pour empêcher le frigorigène de l'unité intérieure n'exécutant pas le chauffage de se liquéfier. Ceci n'indique pas un problème.

LL

13. Informations de la plaque signalétique

Modèle	P72		P96		P144		P192	
	P72		P96		P72		P96	
Unité combinée	-		-		-		-	
Frigorigène (R410A)	9,0 kg [19 LBS 13 oz]	11,8 kg [26 LBS 1 oz]	9,0 kg [19 LBS 13 oz]	11,8 kg [26 LBS 1 oz]	9,0 kg [19 LBS 13 oz]	11,8 kg [26 LBS 1 oz]	9,0 kg [19 LBS 13 oz]	11,8 kg [26 LBS 1 oz]
Pression autorisée (Ps)	HP: 4,15 MPa [601 psi], SP: 2,21 MPa [320 psi]							
Poids net	225 kg [497 LBS]	265 kg [585 LBS]	225 kg [497 LBS]	265 kg [585 LBS]	225 kg [497 LBS]	265 kg [585 LBS]	225 kg [497 LBS]	265 kg [585 LBS]

This product is designed and intended for use in the residential,
commercial and light-industrial environment.

Please be sure to put the contact address/telephone number on
this manual before handing it to the customer.