


Manual Download

Go to the website below to download manuals, select model name, then choose language.



<http://www.mitsubishielectric.com/ldg/ibim/>


Straight silencer
MODEL
PZ-100SS-E, PZ-150SS-E, PZ-200SS-E, PZ-250SS-E
Installation Manual

For distribution to dealers and contractors

This silencer is installed in the middle of ducting (between the ventilator and outlet/intake grilles) to reduce noise.

- Be sure to read this manual before starting installation to ensure correct and safe installation.
- Installation must be performed by dealers and qualified professional contractors.

Safety Precautions

The types and levels of danger that may arise if the product is handled improperly are described with the warning symbols shown below.


WARNING

Indicates a risk of death or serious injury.



Be sure to follow the instructions.

Make sure to securely install the product.

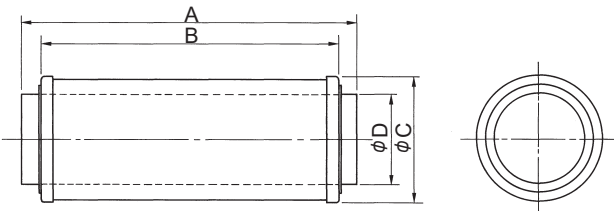
Failure to observe this warning may result in the drop of products and injury.

Always wear gloves during installation.

Failure to observe this warning may result in injury.

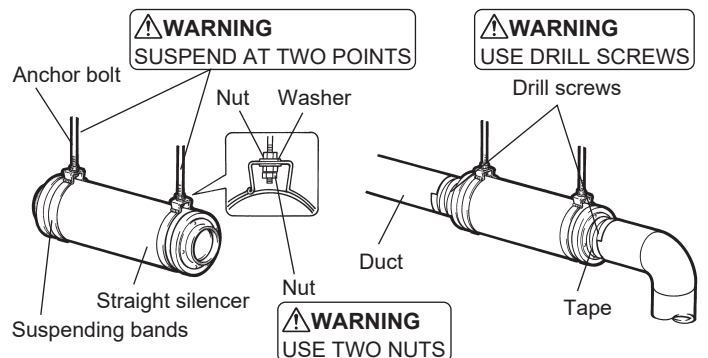
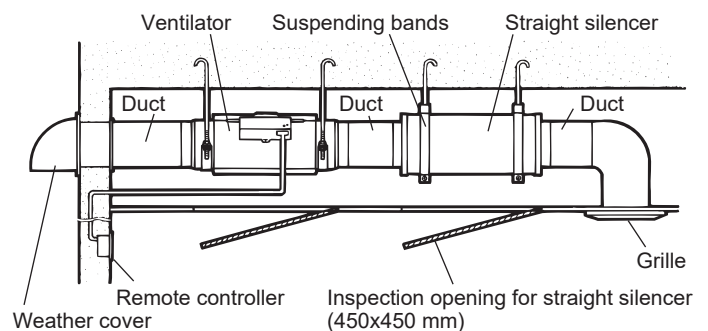
Notes before installation

- Do not install this product in kitchen or bathroom, and use for exhaust from these places. High humidity and lots of oil smoke may damage the product.
- Install between grilles and ventilators.
- Make inspection opening below the duct connecting parts.

Outside dimensions


Unit: mm

Model	A	B	C	D	Connecting duct	Weight (kg)
PZ-100SS-E	450	400	152	99	φ100	1.9
PZ-150SS-E	560	500	202	149	φ150	3.5
PZ-200SS-E	660	600	252	199	φ200	5.3
PZ-250SS-E	660	600	332	249	φ250	8.9

Example of installation

Example of installation procedure

1. Embed commercially available anchor bolts at the installation positions in advance.
2. Pass the straight silencer through commercially available suspensing bands. Pass the straight silencer through the anchor bolts, then fix the silencer with commercially available nuts and washers.
3. Insert the ducts into the duct connecting ports of the straight silencer, then fix them with commercially available drill screws at least one for each connecting point. Apply caulk or tape on the perimeter of the ducts so that the air will not leak.