

Package air-conditioner Optional parts Installation Manual for Air Guide

Always observe for safety

- Carefully read this section 「Always observe for safety」, and securely install the optional parts.
- Be sure to observe the cautions described here: They include critical contents for safety.
- The following indications show the classifications for danger, and possible consequences following incorrect handling.

⚠ WARNING Incorrect handling could lead to death or serious injury.

⚠ CAUTION Incorrect handling could lead to injury or damage to house and household articles.

- After installation, perform a test run and make sure that there is no abnormality, and ask your customer to keep this installation sheet with the instruction manual at all times. Also ask the customer to transfer these manuals to a new user if the user changes.

⚠ WARNING

Ask the dealer or specialist for installation.

- If installed incorrectly by user, water leak, electric shock, fire, etc. could result.

Carefully install the panel according to this installation sheet.

- Incorrect installation could cause water leak, electric shock, fire, etc.

Before performing installation (moving) and electrical work

⚠ CAUTION

Do not place polyethylene bags in reach of young children.

- Putting them over the head will block breathing passages, which could result in suffocation.

If electrical work is necessary, use only specified electric wires adapted with current capacity.

- Use of unsuitable wire could cause electric leak, overheating or fire.

Securely apply heat-insulation to refrigerant pipe so that no condensation occurs.

- If heat-insulation is inadequate, condensation could occur on the surface of pipes and dewdrops could accumulate on ceiling, floor or important goods.

Securely perform drain piping work according to the installation manual so that no condensation occurs.

- If piping work is incorrect, water leak may occur and ceiling, furniture, etc may get wet.

This Air Guide prevents reverse rotation of outdoor unit fan when it enters low speed rotation mode with fan controller being operated. It is also used for protection of fan when strong winds, such as in a typhoon, wind blowing through tall buildings, etc., directly strike the at air outlet.

In addition, installation of this product is necessary when cooling operation is to be performed in outside-air temperature of -5°C or lower (down to -15°C).

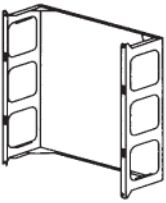
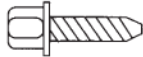


Pay attention to the following points when installing this product:

- 1) To eliminate the effects of external wind, be sure to install this unit with back surface facing wall side.
- 2) Do not install this unit in orientation or site where wind directly blows at the back of the unit.
- 3) Installing of this product will reduce the capacity of the unit (approx. 2 or 3%) and increase the noise of outdoor unit (approx. 1 or 2dB).
- 4) Do not use this product where there is any obstacle at either side or above the outdoor unit (discharged air will be blocked). This may cause a short cycle.

When 2-fan type outdoor unit is used, note that two sets of this product will be necessary.

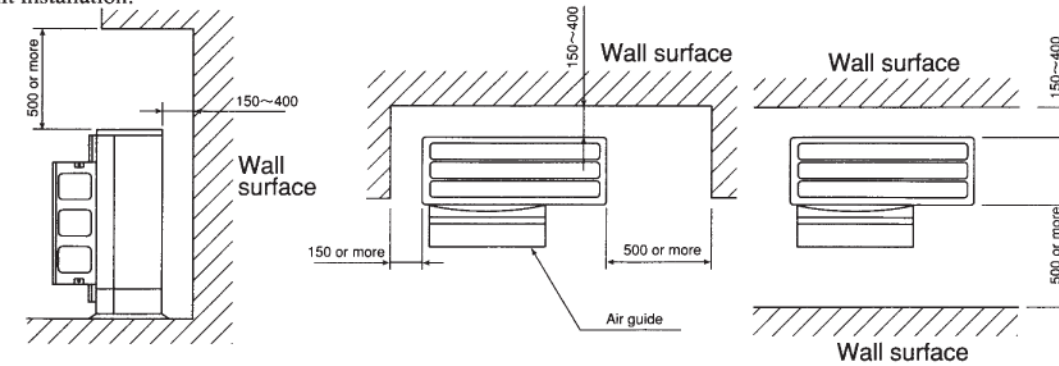
1 Checking parts

Make sure that all the following parts, in addition to this manual, are in this box:

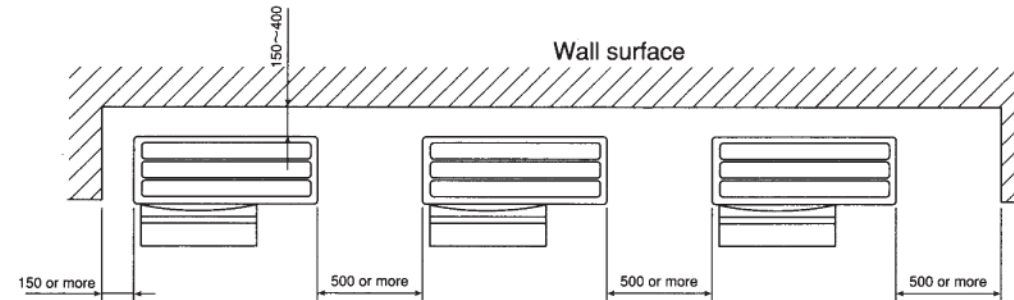
① Air Guide	1	② Mounting screw 5×15	4	③ Washer	4	④ Spring washer	4
							

2 Requirements of space for installation

(1) One unit installation:

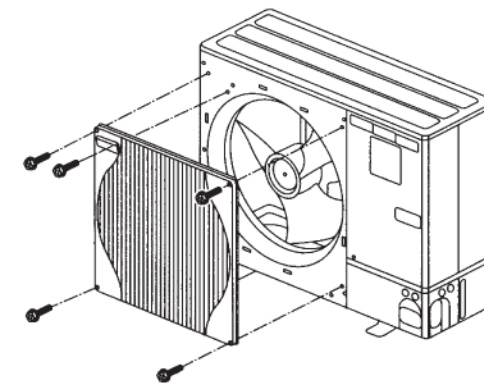


(2) Multiple unit installation: ※ Installation of multiple units in series must be no more than five units.

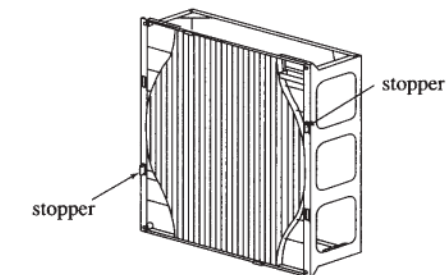


3 Installation procedure

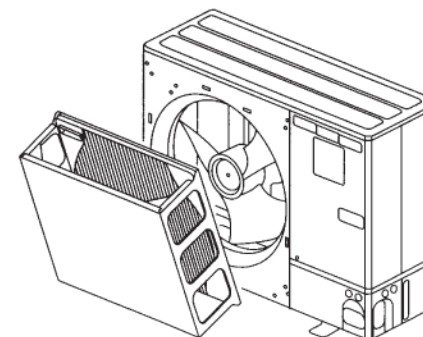
(1) Remove the fan guard fixing screws (five screws on circumference), and then remove the fan guard.



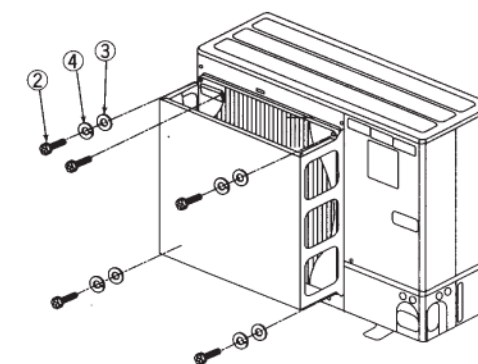
(2) Insert the fan guard stoppers into the square holes on the air guide.



(3) Insert the stoppers (four locations) of the fan guard into the installation holes on the outdoor unit.



(4) Install the air guide on the outdoor unit using washers (3), spring washers (4) and screws (2)
* Use existing screw for handle section.



(5) Secure safety string as illustrated to condensing unit using existing screws from fan guard.

