



SPLIT-TYPE, HEAT PUMP AIR CONDITIONERS  
SPLIT-TYPE, AIR CONDITIONERS

March 2009

No. OCB456

# PARTS CATALOG

## Series PKA Wall Mounted

## R410A

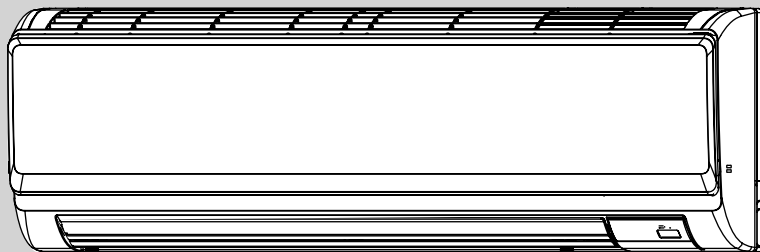
Indoor unit

[Model names] [Service Ref.]

PKA-A12HA	<b>PKA-A12HA</b>
PKA-A18HA	<b>PKA-A18HA</b>
PKA-A12HAL	<b>PKA-A12HAL</b>
PKA-A18HAL	<b>PKA-A18HAL</b>

NOTE:

- RoHS compliant products have <G> mark on the spec name plate.

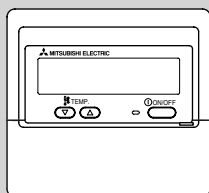


INDOOR UNIT

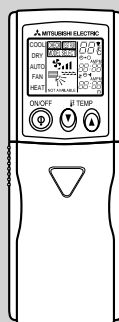
### CONTENTS

1. RoHS PARTS LIST .....2

**SERVICE MANUAL (OCH456)**



WIRED REMOTE CONTROLLER



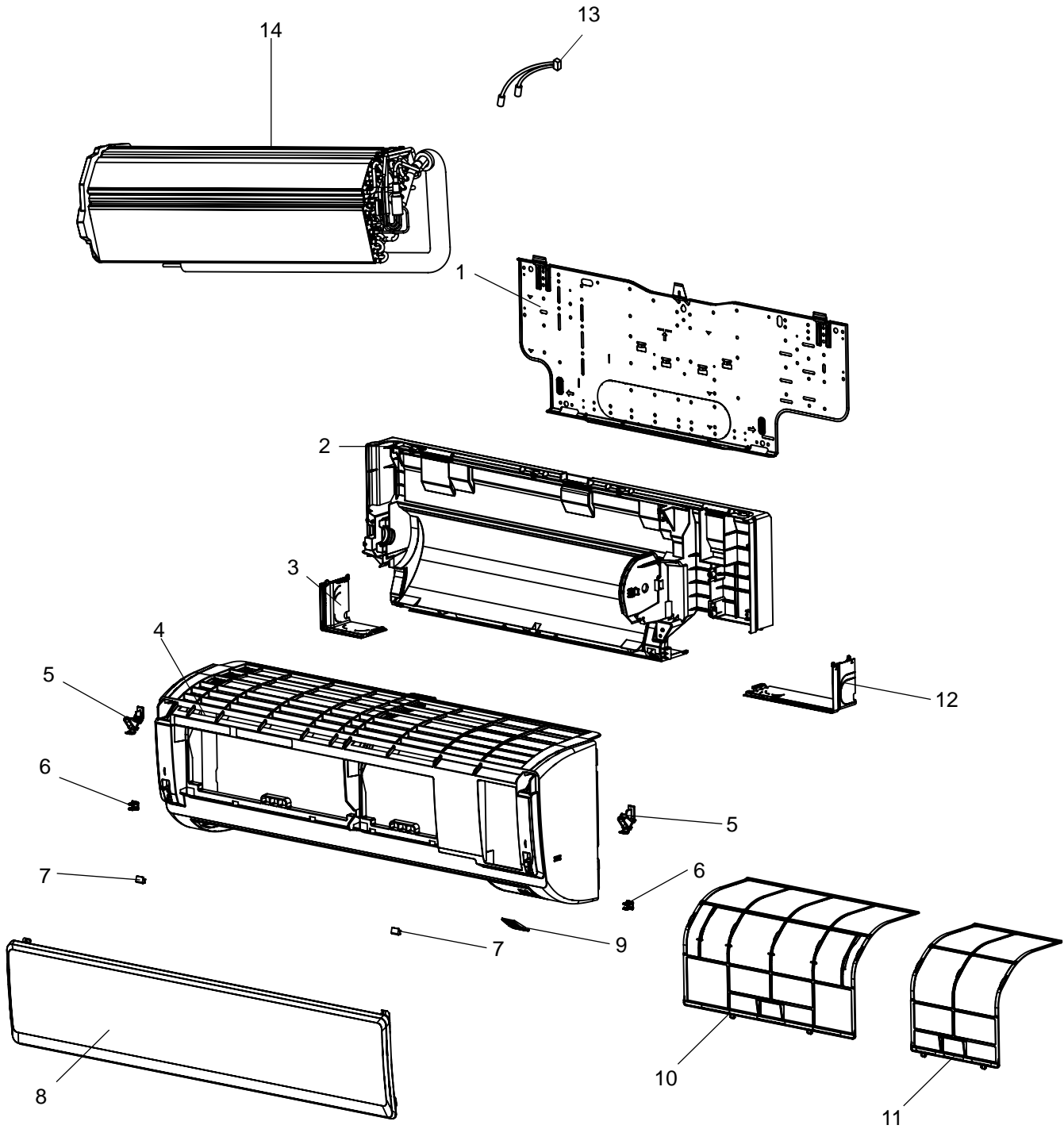
WIRELESS REMOTE CONTROLLER



**Mr. SLIM™**

## PANEL AND HEAT EXCHANGER PARTS

PKA-A12HA PKA-A12HAL PKA-A18HA PKA-A18HAL

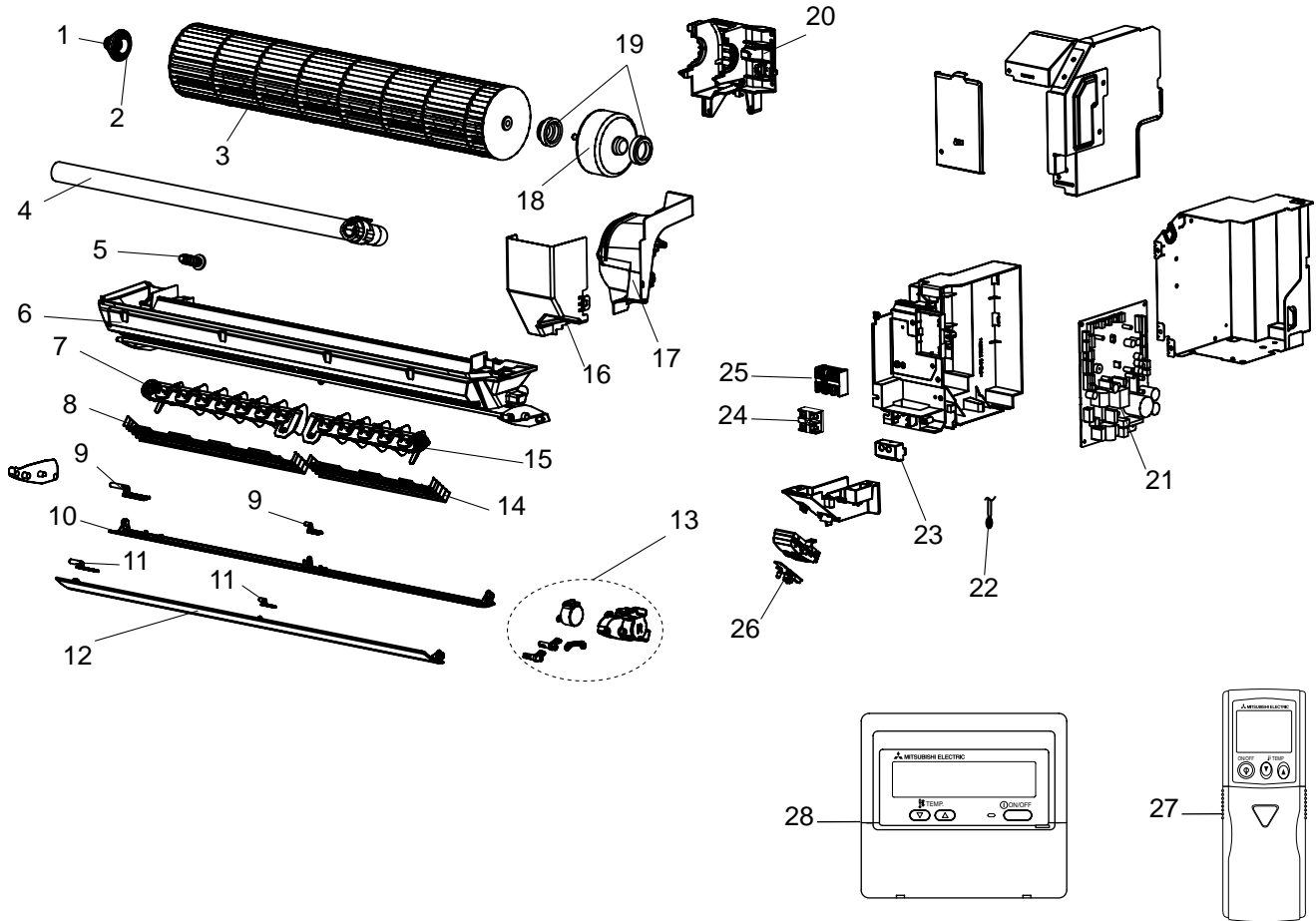




No.	RoHS	Part No.	Part Name	Specification	Q'ty/set				Remarks (Drawing No.)	Wiring Diagram Symbol	Recom- mended Q'ty
					PKA-A-HA		PKA-A-HAL				
					12	18	12	18			
1	G	R01 E08 808	BACK PLATE		1	1	1	1			
2	G	R01 E02 635	BOX ASSY		1	1	1	1			
3	G	R01 E30 658	CORNER BOX (L)		1	1	1	1			
4	G	R01 E15 651	FRONT PANEL		1	1	1	1			
5	G	R01 E14 054	HOLDER (R.L)		1	1	1	1	2pcs/set		
6	G	R01 E15 054	CATCH		1	1	1	1	2pcs/set		
7	G	R01 E05 096	SCREW CAP		1	1	1	1	2pcs/set		
8	G	R01 E58 691	GRILLE		1	1	1	1			
9	G	R01 E31 658	RECEIVER COVER		1	1	1	1			
10	G	R01 E27 500	FILTER		1	1	1	1			
11	G	R01 E28 500	FILTER		1	1	1	1			
12	G	R01 E29 658	CORNER BOX (R)		1	1	1	1			
13	G	R01 N17 202	THERMISTOR		1	1	1	1		TH2/5	
14	G	T7W N09 480	HEAT EXCHANGER		1	1	1	1			

# FAN AND ELECTRICAL PARTS

PKA-A12HA PKA-A12HAL PKA-A18HA PKA-A18HAL



Part numbers that are circled are not shown in the illustration.

No.	RoHS	Part No.	Part Name	Specification	Q'ty/set				Remarks (Drawing No.)	Wiring Diagram Symbol	Recom- mended Q'ty
					PKA-A-HA		PKA-A-HAL				
					12	18	12	18			
1	G	R01 E01 102	BEARING MOUNT		1	1	1	1			
2	G	R01 E04 103	SLEEVE BEARING		1	1	1	1			
3	G	R01 E42 114	LINEFLOW FAN		1	1	1	1			
4	G	R01 E09 527	DRAIN HOSE		1	1	1	1			
5	G	R01 E03 524	DRAIN CAP		1	1	1	1			
6	G	R01 E01 530	NOZZLE ASSY		1	1	1	1	with No.7,15		
7	G	R01 E07 038	GUIDE VANE ASSY-L		1	1	1	1			
8	G	T7W E19 675	FAN GUARD-L		1	1	1	1			
9	G	R01 E06 063	VANE SHAFT-UC		1	1	1	1	2pcs/set		
10	G	R01 E32 002	AUTO VANE-U		1	1	1	1			
11	G	R01 E05 063	VANE SHAFT-TC		1	1	1	1	2pcs/set		
12	G	R01 E31 002	AUTO VANE-T		1	1	1	1			
13	G	R01 E27 223	VANE MOTOR		1	1	1	1			
14	G	T7W E18 675	FAN GUARD-R		1	1	1	1			
15	G	R01 E06 038	GUIDE VANE ASSY-R		1	1	1	1			
16	G	R01 E00 031	WATER COVER		1	1	1	1			
17	G	R01 E03 126	MOTOR BAND		1	1	1	1			
18	G	R01 E51 220	FAN MOTOR		1	1	1	1	with No.19	MF	
19	G	R01 E18 105	RUBBER MOUNT		1	1	1	1			
20	G	R01 E44 130	MOTOR BED		1	1	1	1			
21	G	T7W E87 310	CONTROLLER BOARD		1	1	1	1		I.B, S.B	
22	G	R01 N20 202	THERMISTOR		1	1	1	1	with tube & band	TH1	
23	G	R01 E01 031	SWITCH BOARD COVER		1	1	1	1			
24	G	R01 E48 246	TERMINAL BLOCK	2P (1, 2)	1	1				TB5	
25	G	R01 T04 246	TERMINAL BLOCK	3P(S1, S2, S3)	1	1	1	1		TB4	
26	G	R01 E10 317	RECEIVER ASSY		1	1	1	1		W.B	
27	G	T7W E13 714	WIRELESS REMOTE CONTROLLER				1	1			
28	G	T7W E14 714	WIRED REMOTE CONTROLLER	PAR-21MAA	1	1					
29	G	R01 E11 239	FUSE	3.15A 250V	1	1	1	1		FUSE	
30	G	R01 E12 304	CABLE (VANE MOTOR)		1	1	1	1			





**Mr. SLIM™**

 **MITSUBISHI ELECTRIC CORPORATION**

HEAD OFFICE : TOKYO BLDG., 2-7-3, MARUNOUCHI, CHIYODA-KU TOKYO 100-8310, JAPAN