

SERVICE PARTS LIST FOR MITSUBISHI ELECTRIC PACKAGED AIR-CONDITIONERS

Series : CMB

REVISED

May 2026

BWE01831D

INDEX

CMB-P104NU-J1
CMB-P106NU-J1
CMB-P108NU-J1
CMB-P1012NU-J1
CMB-P1016NU-J1
CMB-P108NU-JA1
CMB-P1012NU-JA1
CMB-P1016NU-JA1
CMB-P1016NU-KA1
CMB-P104NU-KB1
CMB-P108NU-KB1

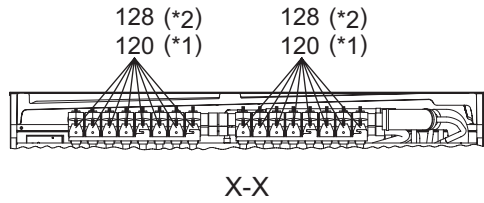
Part information update day : 2026-05-08

Please change the old catalog (issued June 2023, No.BWE01831C) to this new catalog.
Content of revision : Some of parts are changed.

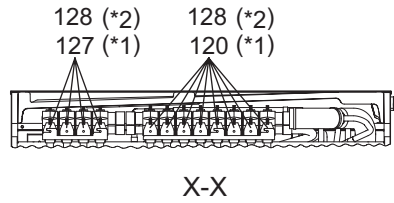


CMB-P104,P106,P108,P1012,P1016NU-J1 EXTERNAL PARTS & FUNCTIONAL PARTS (1)

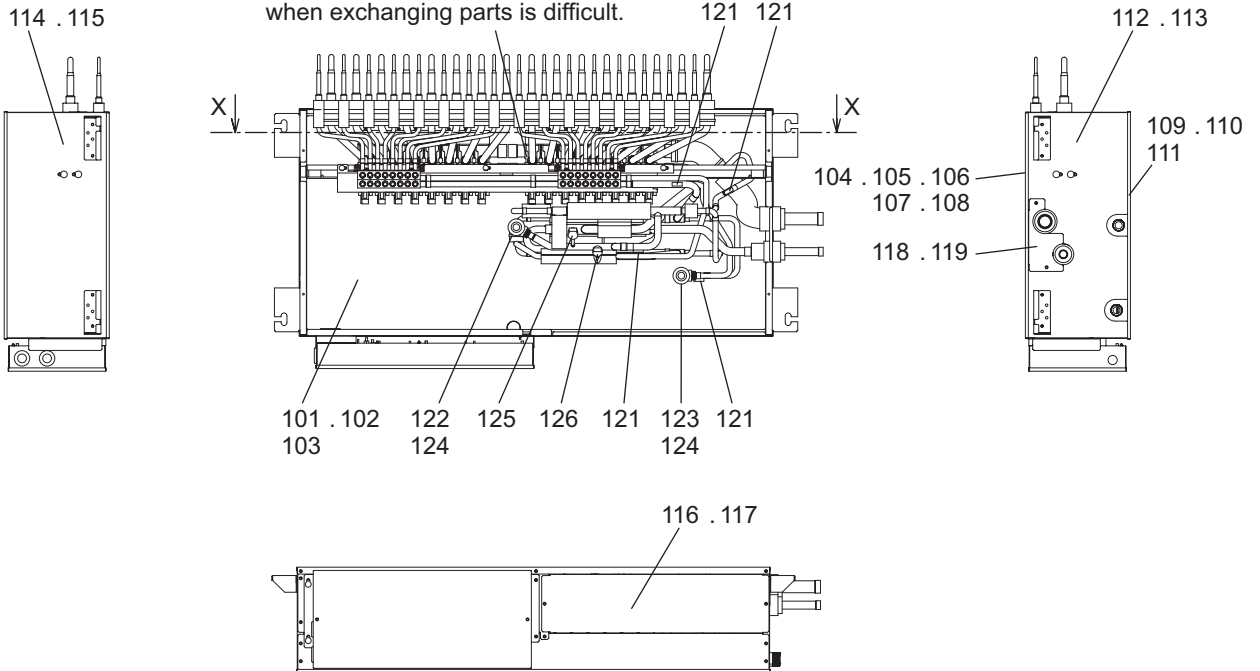
CMB-P104,P106,P108,P1016NU-J1



CMB-P1012NU-J1



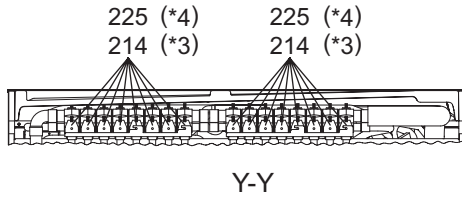
*Solenoid valve do not set service parts.
Because, the quality securing of them
when exchanging parts is difficult.



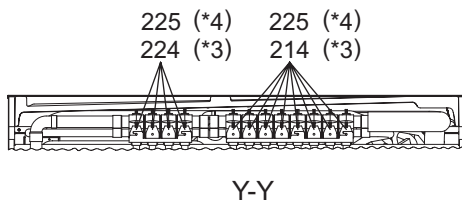
*1 Production in or before Mar. 2026 (Serial No.: Up to 53W*****)
*2 Production in and after Apr. 2026 (Serial No.: 64W***** and on)

Production number nomenclature			
0	1	W	00001
(1)	(2)	(3)	(4)
(1) Last digit of the production year (cycles back in 10 years)			
*0 = Produced in FY2010 (April 2010 – March 2011)			
*1 = Produced in FY2011 (April 2011 – March 2012)			
*9 = Produced in FY2019 (April 2019 – March 2020)			
(2) 1 = Production month (1 – 9 = Jan. – Sept.; X = Oct.; Y = Nov.; Z = Dec.)			
(3) W = Standard product			
(4) Serial number			

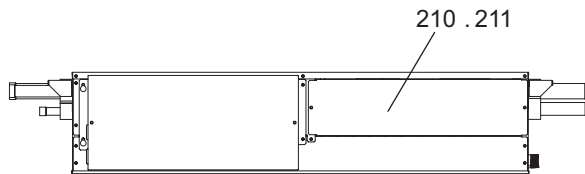
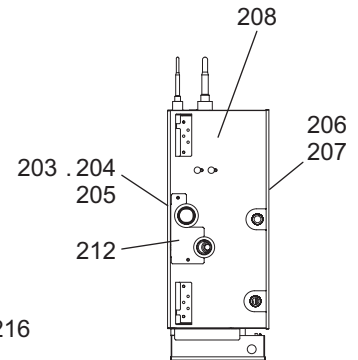
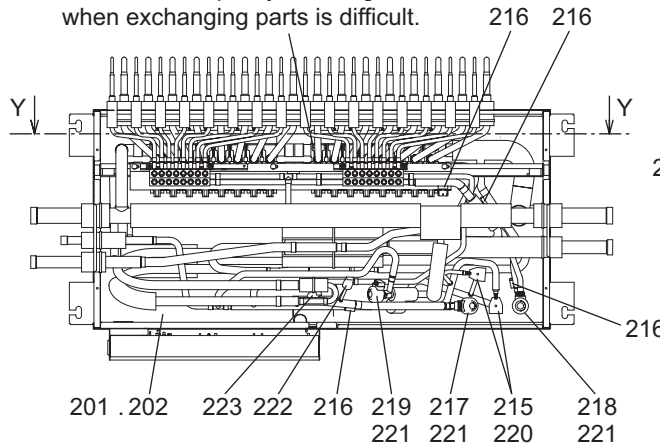
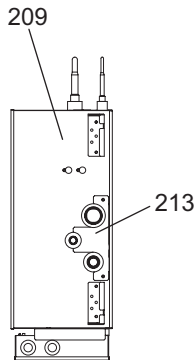
CMB-P108,P1016NU-JA1



CMB-P1012NU-JA1

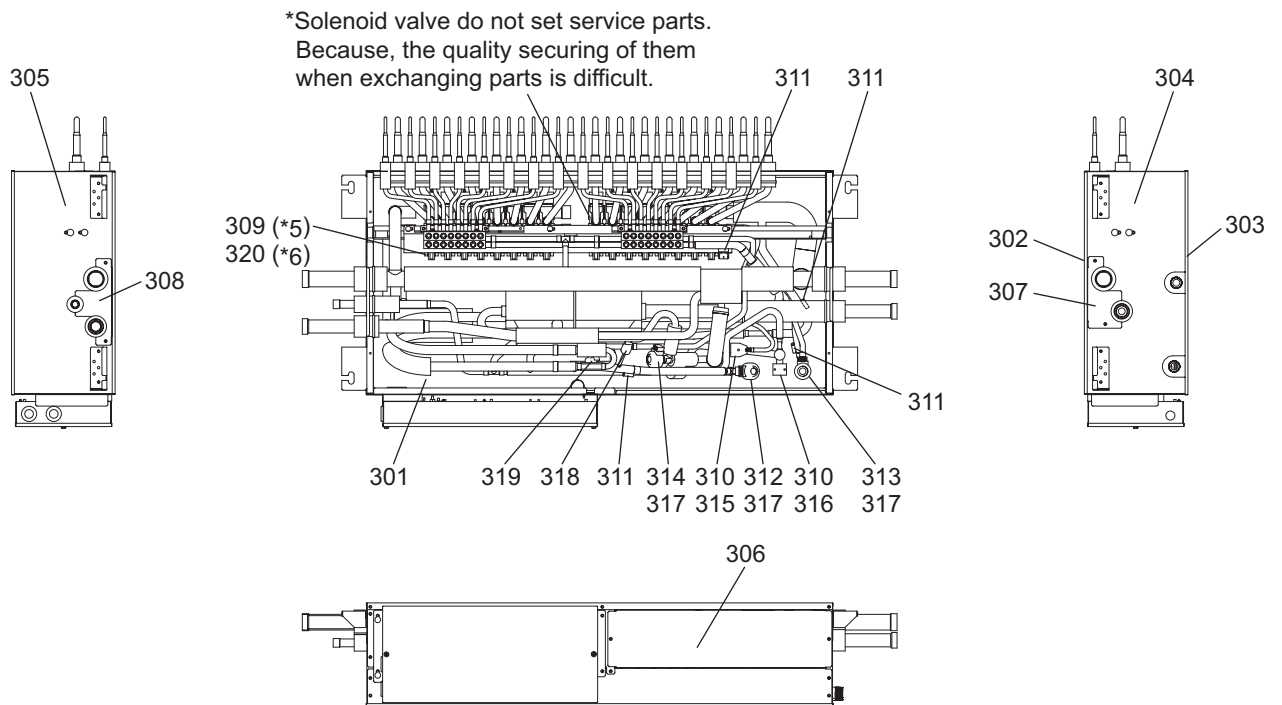


*Solenoid valve do not set service parts.
Because, the quality securing of them
when exchanging parts is difficult.



*3 Production in or before Mar. 2026 (Serial No.: Up to 53W*****)
*4 Production in and after Apr. 2026 (Serial No.: 64W*****) and on)

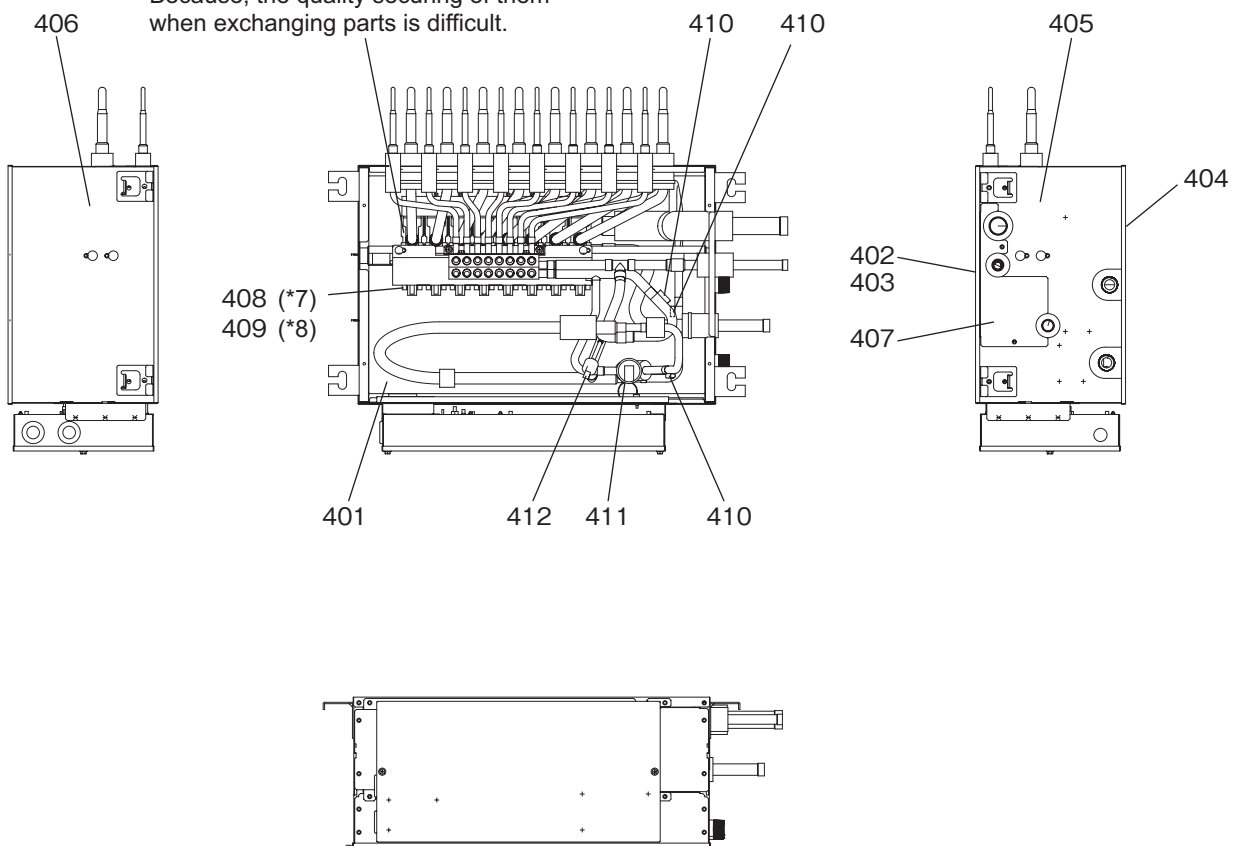
Production number nomenclature			
0	1	W	0 0 0 1
(1)	(2)	(3)	(4)
(1) Last digit of the production year (cycles back in 10 years) *0 = Produced in FY2010 (April 2010 – March 2011) *1 = Produced in FY2011 (April 2011 – March 2012) *9 = Produced in FY2019 (April 2019 – March 2020)			
(2) 1 = Production month (1 – 9 = Jan. – Sept.; X = Oct.; Y = Nov.; Z = Dec.)			
(3) W = Standard product			
(4) Serial number			



*5 Production in or before Mar. 2026 (Serial No.: Up to 53W*****)
 *6 Production in and after Apr. 2026 (Serial No.: 64W***** and on)

Production number nomenclature			
0	1	W	00001
(1)	(2)	(3)	(4)
(1) Last digit of the production year (cycles back in 10 years) *0 = Produced in FY2010 (April 2010 – March 2011) *1 = Produced in FY2011 (April 2011 – March 2012) *9 = Produced in FY2019 (April 2019 – March 2020)			
(2) 1 = Production month (1 – 9 = Jan. – Sept.; X = Oct.; Y = Nov.; Z = Dec.)			
(3) W = Standard product			
(4) Serial number			

*Solenoid valve do not set service parts.
Because, the quality securing of them
when exchanging parts is difficult.



*7 Production in or before Mar. 2023 (Serial No.: Up to 23W*****)
*8 Production in and after Apr. 2023 (Serial No.: 34W***** and on)

Production number nomenclature			
0	1	W	0001
(1)	(2)	(3)	(4)
(1) Last digit of the production year (cycles back in 10 years) *0 = Produced in FY2010 (April 2010 – March 2011) *1 = Produced in FY2011 (April 2011 – March 2012) *9 = Produced in FY2019 (April 2019 – March 2020)			
(2) 1 = Production month (1 – 9 = Jan. – Sept.; X = Oct.; Y = Nov.; Z = Dec.)			
(3) W = Standard product			
(4) Serial number			

CMB-P104,P106,P108,P1012,P1016NU-J1
CMB-P108,P1012,P1016NU-JA1
CMB-P1016NU-KA1,CMB-P104,P108NU-KB1

CONTROL BOX PARTS

