

# SERVICE PARTS LIST FOR MITSUBISHI ELECTRIC PACKAGED AIR-CONDITIONERS

Series : CMB

REVISED

May 2026

BWE02308A

INDEX
CMB-P104NU-J2
CMB-P106NU-J2
CMB-P108NU-J2
CMB-P1012NU-J2
CMB-P1016NU-J2
CMB-P108NU-JA2
CMB-P1012NU-JA2
CMB-P1016NU-JA2
CMB-P1016NU-KA2
CMB-P104NU-KB2
CMB-P108NU-KB2

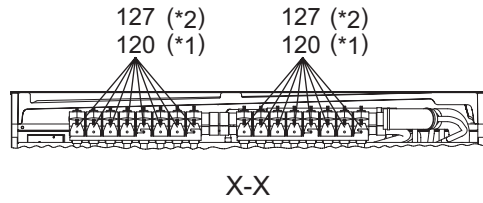
Part information update day : 2026-05-21

Please change the old catalog (issued June 2023, No.BWE023080) to this new catalog.  
Content of revision : Some of parts are changed.

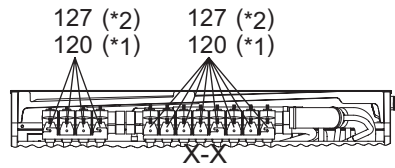


CMB-P104,P106,P108,P1012,P1016NU-J2 EXTERNAL PARTS & FUNCTIONAL PARTS (1)

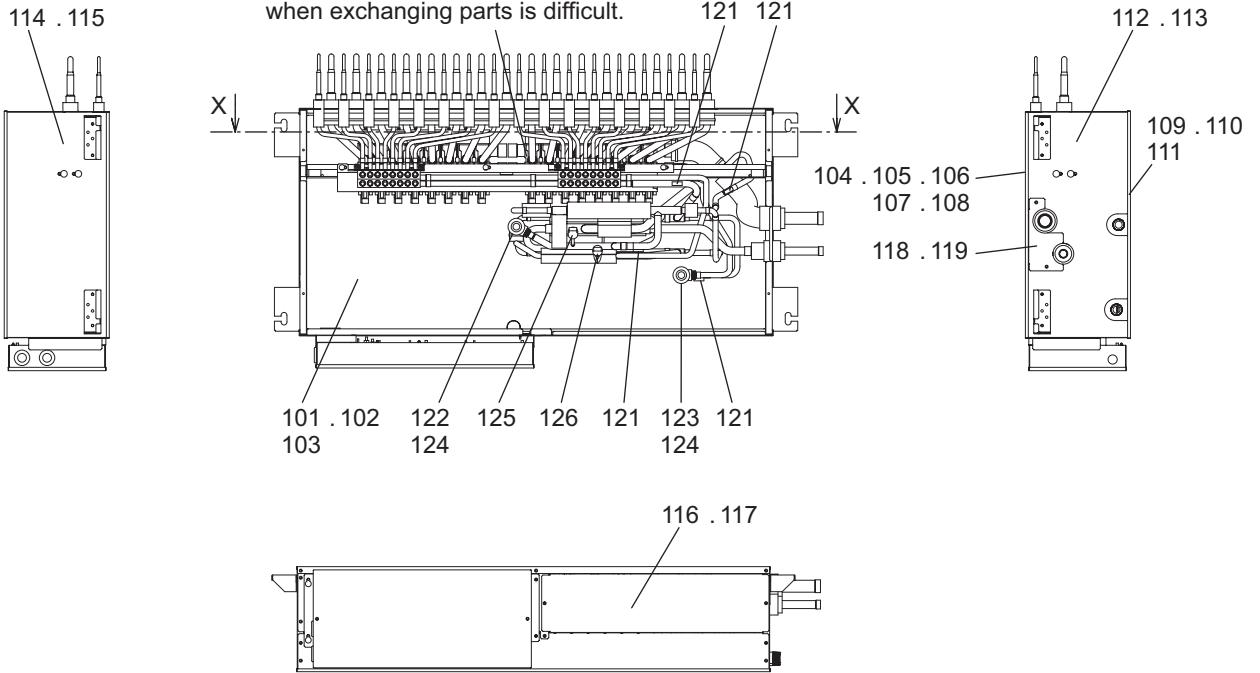
CMB-P104,P106,P108,P1016NU-J2



CMB-P1012NU-J2



\*Solenoid valve do not set service parts.  
Because, the quality securing of them  
when exchanging parts is difficult.

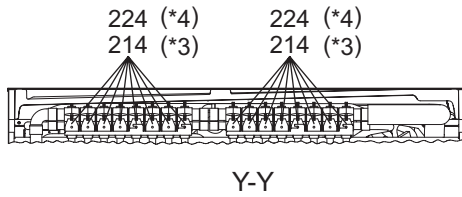


\*1 Production in or before Mar. 2026 (Serial No.: Up to 53W\*\*\*\*\*)  
\*2 Production in and after Apr. 2026 (Serial No.: 64W\*\*\*\*\* and on)

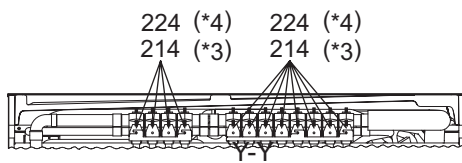
Production number nomenclature			
0	1	W	00001
(1)	(2)	(3)	(4)
(1) Last digit of the production year (cycles back in 10 years)			
*0 = Produced in FY2010 (April 2010 – March 2011)			
*1 = Produced in FY2011 (April 2011 – March 2012)			
*9 = Produced in FY2019 (April 2019 – March 2020)			
(2) 1 = Production month (1 – 9 = Jan. – Sept.; X = Oct.; Y = Nov.; Z = Dec.)			
(3) W = Standard product			
(4) Serial number			



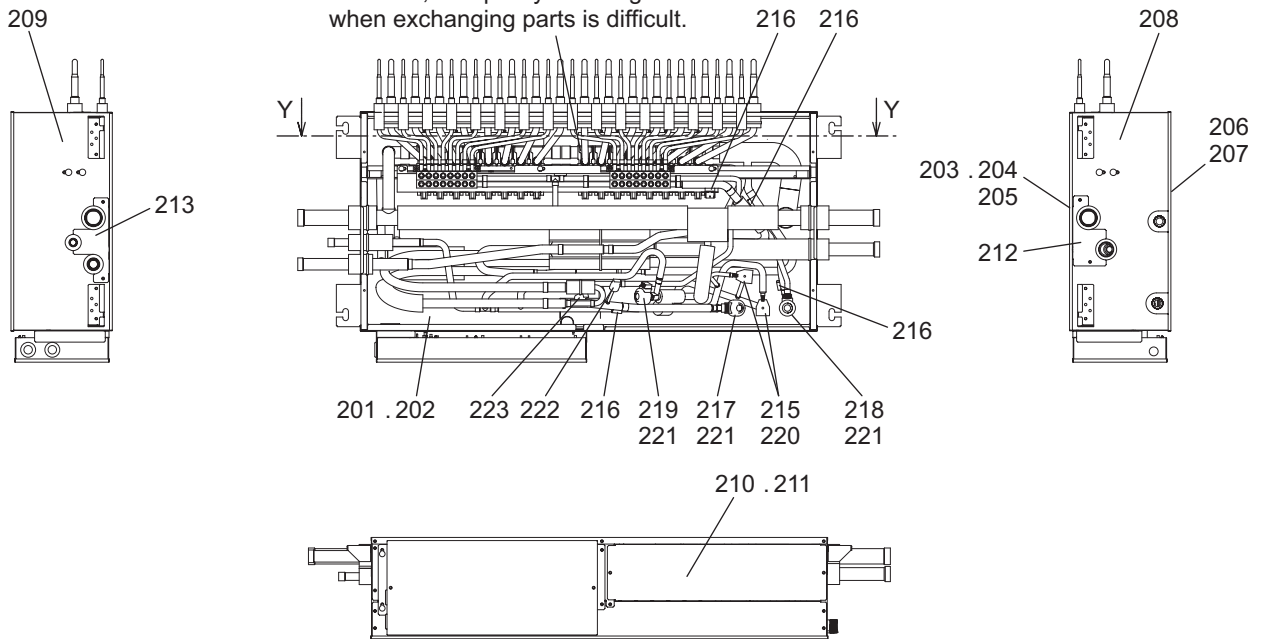
CMB-P108,P1016NU-JA2



CMB-P1012NU-JA2



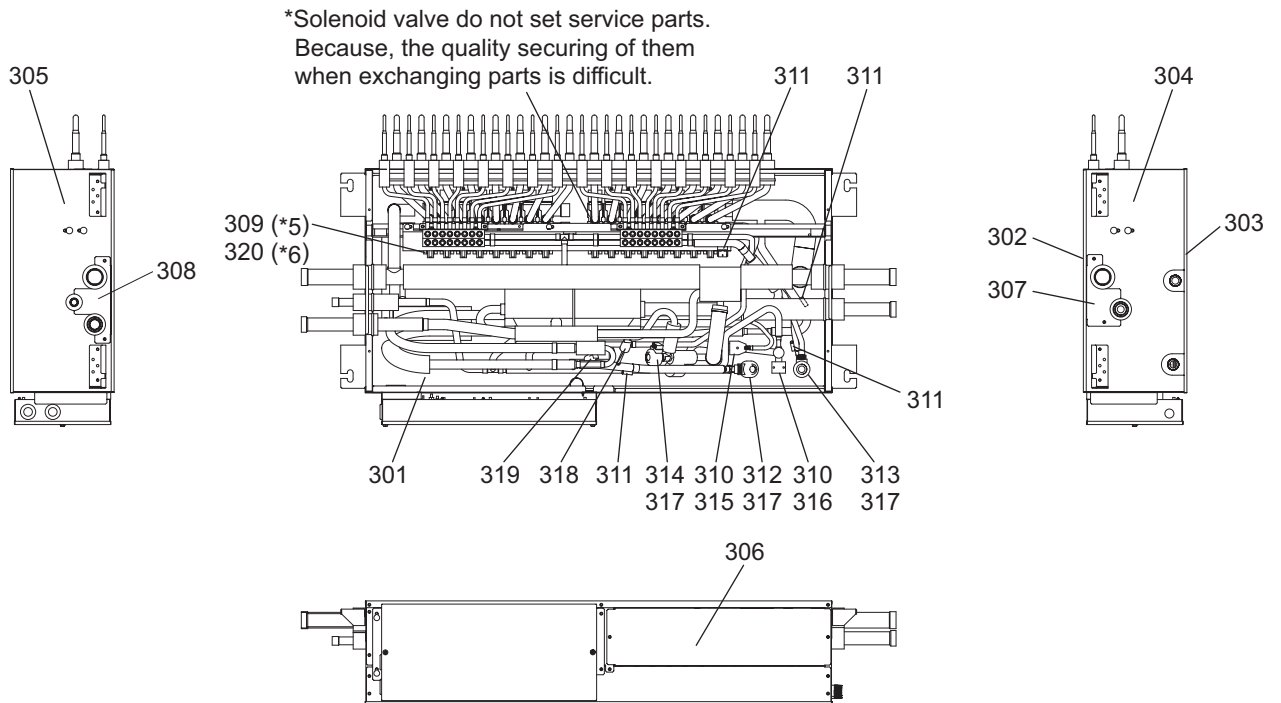
\*Solenoid valve do not set service parts.  
Because, the quality securing of them  
when exchanging parts is difficult.



\*3 Production in or before Mar. 2026 (Serial No.: Up to 53W\*\*\*\*\*)  
\*4 Production in and after Apr. 2026 (Serial No.: 64W\*\*\*\*\*) and on

Production number nomenclature			
0	1	W	0 0 0 1
(1)	(2)	(3)	(4)
(1) Last digit of the production year (cycles back in 10 years)			
*0 = Produced in FY2010 (April 2010 – March 2011)			
*1 = Produced in FY2011 (April 2011 – March 2012)			
*9 = Produced in FY2019 (April 2019 – March 2020)			
(2) 1 = Production month (1 – 9 = Jan. – Sept.; X = Oct.; Y = Nov.; Z = Dec.)			
(3) W = Standard product			
(4) Serial number			



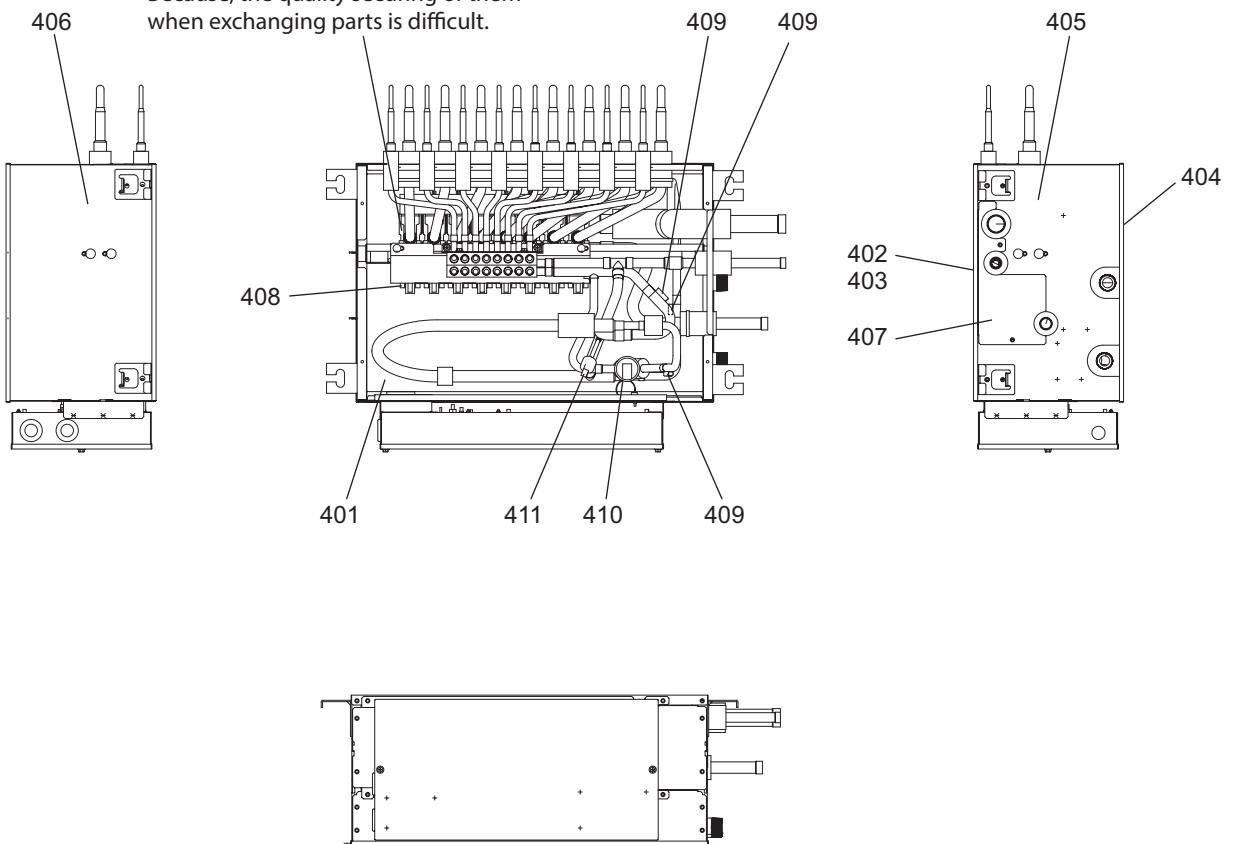


\*5 Production in or before Mar. 2026 (Serial No.: Up to 53W\*\*\*\*\*)  
\*6 Production in and after Apr. 2026 (Serial No.: 64W\*\*\*\*\* and on)

Production number nomenclature			
0	1	W	00001
(1)	(2)	(3)	(4)
(1) Last digit of the production year (cycles back in 10 years)			
*0 = Produced in FY2010 (April 2010 – March 2011)			
*1 = Produced in FY2011 (April 2011 – March 2012)			
*9 = Produced in FY2019 (April 2019 – March 2020)			
(2) 1 = Production month (1 – 9 = Jan. – Sept.; X = Oct.; Y = Nov.; Z = Dec.)			
(3) W = Standard product			
(4) Serial number			



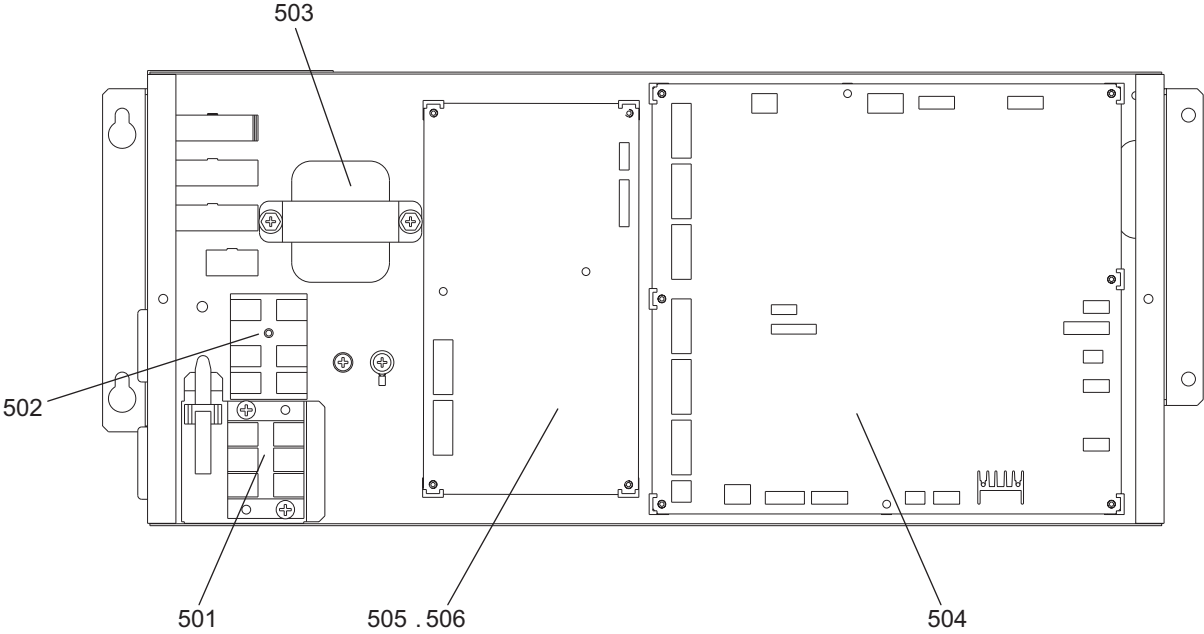
\*Solenoid valve do not set service parts.  
 Because, the quality securing of them  
 when exchanging parts is difficult.





CMB-P104,P106,P108,P1012,P1016NU-J2  
CMB-P108,P1012,P1016NU-JA2  
CMB-P1016NU-KA2,CMB-P104,P108NU-KB2

CONTROL BOX PARTS







**mitsubishi**  
**electric**  
**corporation**

---

BWE02308A (20260531)