

Revision B:

- MSZ-D30/D36NA-8 and MSY-D30/D36NA-8 have been added.

Please void OBB501 REVISED EDITION-A.

INDOOR UNIT

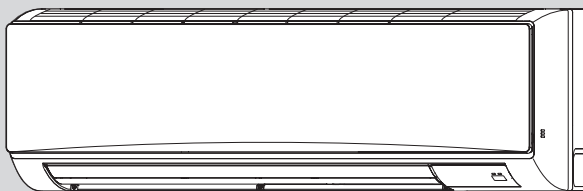
PARTS CATALOG

**No. OBB501
REVISED EDITION-B**

Models

**MSZ-D30NA
MSZ-D36NA
MSY-D30NA
MSY-D36NA**

**MSZ-D30NA-8
MSZ-D36NA-8
MSY-D30NA-8
MSY-D36NA-8**



CONTENTS

1. RoHS PARTS LIST..... 2

SERVICE MANUAL (OBH501)

NOTE:
RoHS compliant products have <G> mark on the spec name plate.

Mr. SLIM™

Revision A:

• RoHS PARTS LIST has been changed.

Revision B:

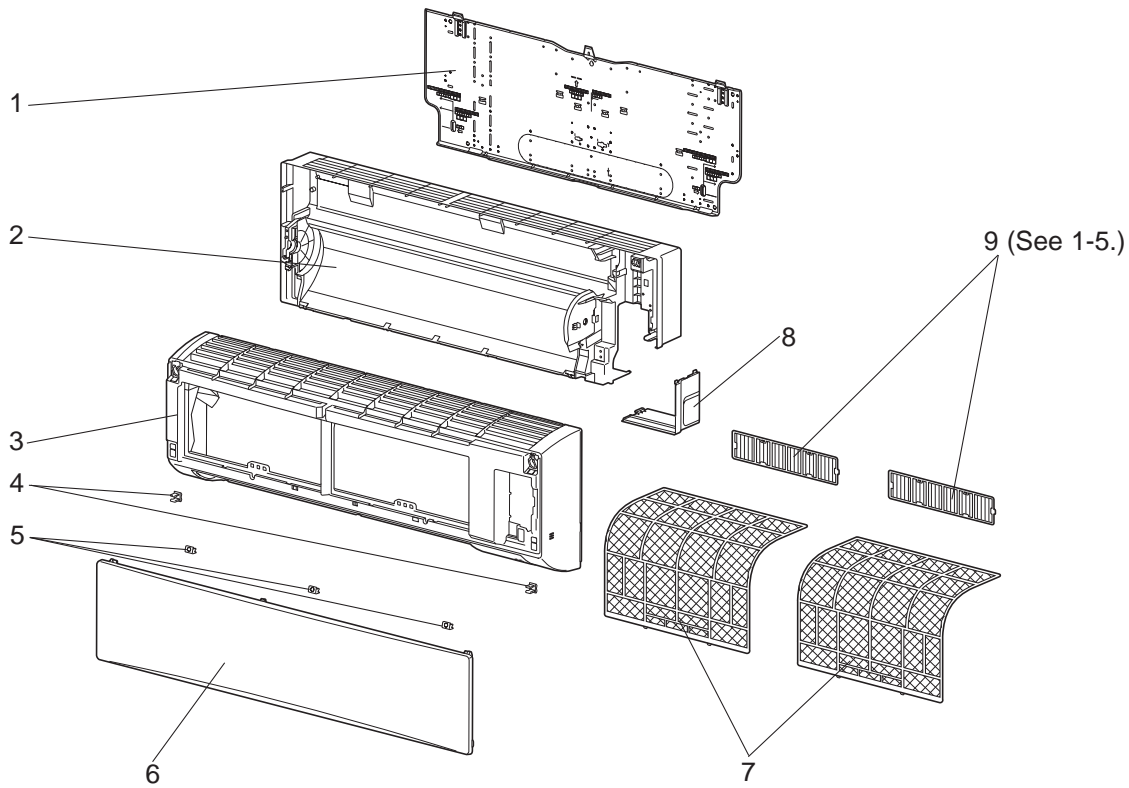
• MSZ-D30/D36NA-8 and MSY-D30/D36NA-8 have been added.

1

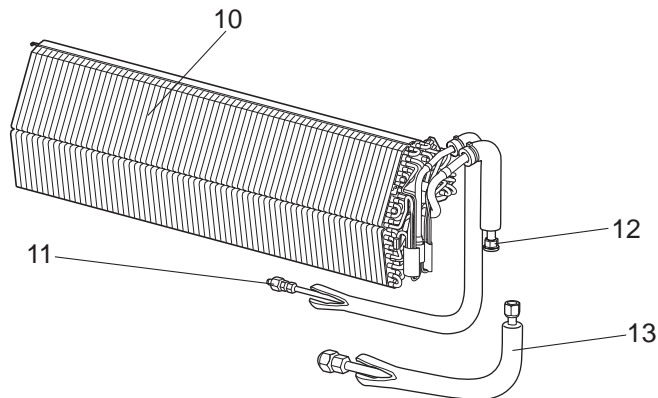
RoHS PARTS LIST

MSZ-D30NA MSZ-D36NA MSY-D30NA MSY-D36NA
MSZ-D30NA-8 MSZ-D36NA-8 MSY-D30NA-8 MSY-D36NA-8

1-1. INDOOR UNIT STRUCTURAL PARTS



1-2. INDOOR UNIT HEAT EXCHANGER



1-1. INDOOR UNIT STRUCTURAL PARTS

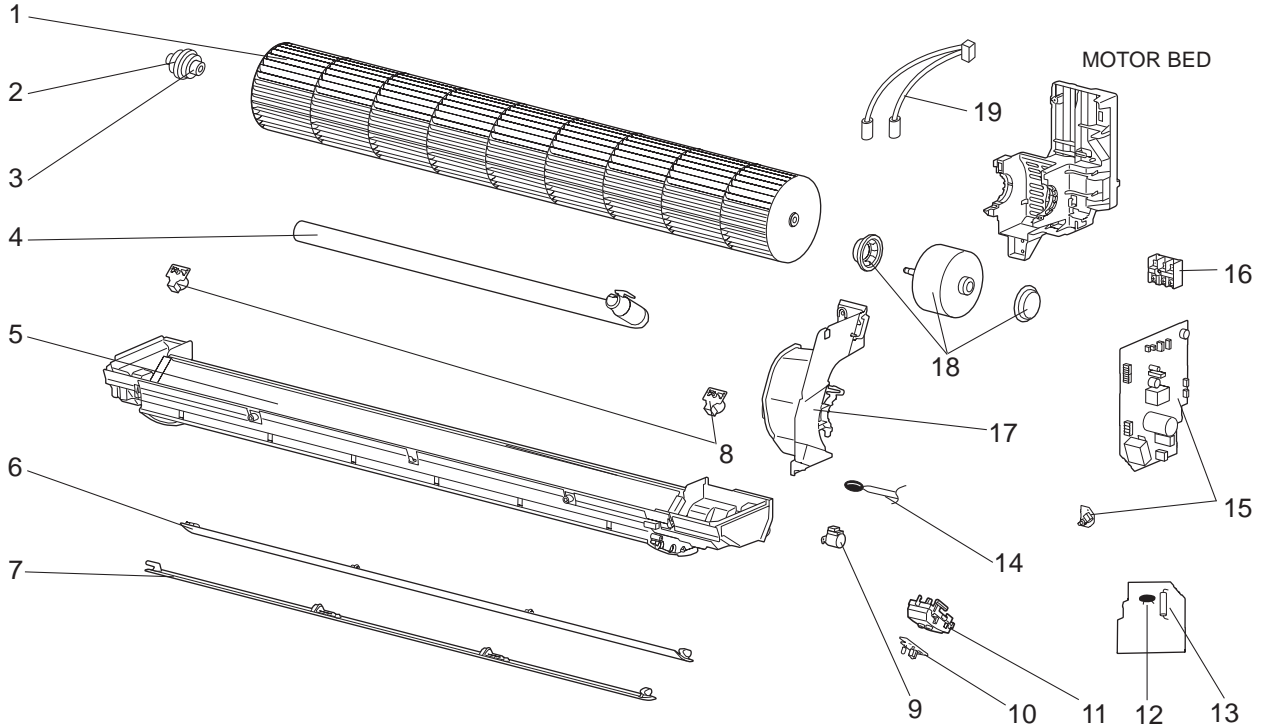
No.	R/HS	Part No.	Part Name	Symbol in Wiring Diagram	Q'ty/unit								Remarks
					MSZ-				MSY-				
					D30NA	D30NA-8	D36NA	D36NA-8	D30NA	D30NA-8	D36NA	D36NA-8	
1	G	E12 C92 970	INSTALLATION PLATE		1	1	1	1	1	1	1	1	
2	G	E12 D20 234	BOX		1	1	1	1	1	1	1	1	
3	G	E12 C92 000	PANEL ASSEMBLY		1	1	1	1	1	1	1	1	Including No.4,5,6
4	G	E12 408 142	CATCH		2	2	2	2	2	2	2	2	2 PCS/SET
5	G	E12 C92 067	SCREW CAP		3	3	3	3	3	3	3	3	3 PCS/SET
6	G	E12 C92 010	FRONT PANEL		1	1	1	1	1	1	1	1	
7	G	E12 C92 100	CATECHIN AIR FILTER		2	2	2	2	2	2	2	2	1 PC/SET
8	G	E12 C92 975	CORNER BOX		1	1	1	1	1	1	1	1	
9	G	—————	AIR CLEANING FILTER		2	2	2	2	2	2	2	2	2 PCS/SET MAC-1415FT-E

1-2. INDOOR UNIT HEAT EXCHANGER

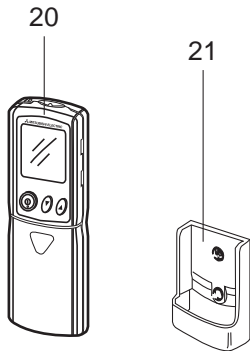
10	G	E12 C92 620	INDOOR HEAT EXCHANGER		1	1	1	1	1	1	1	1	
11	G	E12 527 667	UNION (LIQUID)		1	1	1	1	1	1	1	1	∅3/8
12	G	E12 C92 666	UNION (GAS)		1	1	1	1	1	1	1	1	∅5/8
13	G	E12 D20 980	JOINT ASSEMBLY		1	1	1	1	1	1	1	1	

MSZ-D30NA MSZ-D36NA MSY-D30NA MSY-D36NA
MSZ-D30NA-8 MSZ-D36NA-8 MSY-D30NA-8 MSY-D36NA-8

1-3. INDOOR UNIT ELECTRICAL PARTS AND FUNCTIONAL PARTS



1-4. ACCESSORY AND REMOTE CONTROLLER



1-3. INDOOR UNIT ELECTRICAL PARTS AND FUNCTIONAL PARTS

No.	ROHS	Part No.	Part Name	Symbol in Wiring Diagram	Q'ty/unit								Remarks
					MSZ-				MSY-				
					D30NA	D30NA-8	D36NA	D36NA-8	D30NA	D30NA-8	D36NA	D36NA-8	
1	G	E12 C92 302	LINE FLOW FAN		1	1	1	1	1	1	1	1	
2	G	E12 751 509	BEARING MOUNT		1	1	1	1	1	1	1	1	
3	G	E12 001 504	SLEEVE BEARING		1	1	1	1	1	1	1	1	
4	G	E12 408 702	DRAIN HOSE		1	1	1	1	1	1	1	1	
5	G	E12 D20 235	NOZZLE ASSEMBLY		1	1	1	1	1	1	1	1	
6	G	E12 C92 040	VANE UPPER		1	1	1	1	1	1	1	1	
7	G	E12 C92 041	VANE LOWER		1	1	1	1	1	1	1	1	
8	G	E12 448 303	VANE MOTOR (VERTICAL)	MV2	2	2	2	2	2	2	2	2	RIGHT & LEFT
9	G	E12 749 303	VANE MOTOR (HORIZONTAL)	MV1	1	1	1	1	1	1	1	1	UP & DOWN
10	G	E12 C92 468	POWER MONITOR RECEIVER P.C. BOARD		1	1	1	1	1	1	1	1	
11	G	E12 C92 095	POWER MONITOR RECEIVER HOLDER		1	1	1	1	1	1	1	1	
12	G	E12 B75 385	VARISTOR	NR11	1	1	1	1	1	1	1	1	
13	G	E12 A49 382	FUSE	F11	1	1	1	1	1	1	1	1	T3.15AL250V
14	G	E12 527 308	ROOM TEMPERATURE THERMISTOR	RT11	1	1	1	1	1	1	1	1	
15	G	E12 C87 452	ELECTRONIC CONTROL P.C. BOARD ※1		1								
	G	E12 G50 452				1							
	G	E12 D20 452					1						
	G	E12 G51 452						1					
	G	E12 C91 452							1				
	G	E12 G34 452								1			
	G	E12 D21 452									1		
16	G	E12 C92 375	TERMINAL BLOCK	TB	1	1	1	1	1	1	1	1	
17	G	E12 C92 333	MOTOR BAND		1	1	1	1	1	1	1	1	
18	G	E12 C92 300	INDOOR FAN MOTOR ASSEMBLY ※2	MF	1	1	1	1	1	1	1	1	RC0J56-□□
19	G	E12 C92 307	INDOOR COIL THERMISTOR	RT12, RT13	1	1	1	1	1	1	1	1	

※1 Including SW P.C. BOARD

※2 Including FAN MOTOR RUBBER MOUNT (2 PCS/SET)

1-4. ACCESSORY AND REMOTE CONTROLLER

20	G	E12 C26 426	REMOTE CONTROLLER		1	1	1	1					KM07K
	G	E12 C29 426							1	1	1	1	KM07M
21	G	E12 527 083	REMOTE CONTROLLER HOLDER		1	1	1	1	1	1	1	1	

MSZ-D30NA MSZ-D36NA MSY-D30NA MSY-D36NA
MSZ-D30NA-8 MSZ-D36NA-8 MSY-D30NA-8 MSY-D36NA-8

1-5. AIR CLEANING FILTER (ANTI-ALLERGY ENZYME FILTER)

Model		Part No.
MSZ-D30NA	MSZ-D30NA- 8	MAC-1415FT-E
MSZ-D36NA	MSZ-D36NA- 8	
MSY-D30NA	MSY-D30NA- 8	
MSY-D36NA	MSY-D36NA- 8	



© Copyright 2008 MITSUBISHI ELECTRIC ENGINEERING CO.,LTD
Distributed in Apr. 2011. No. OBB501 REVISED EDITION-B
Distributed in Mar. 2008. No. OBB501 REVISED EDITION-A 7
Distributed in Feb. 2008. No. OBB501 7
Made in Japan

New publication, effective Apr. 2011
Specifications subject to change without notice.